

US00D523393S

(12) **United States Design Patent**  
**Meier et al.**

(10) **Patent No.:** **US D523,393 S**  
(45) **Date of Patent:** **\*\* Jun. 20, 2006**

(54) **BATTERY HOUSING**  
(75) Inventors: **Giovanni C. Meier**, Madison, CT (US);  
**Gintaras A. Vaisnys**, Chicago, IL (US);  
**Glenn W. Laub**, Princeton, NJ (US);  
**Benny Chi**, Dumont, NJ (US)

D409,975 S \* 5/1999 Zeller ..... D13/103  
D412,486 S \* 8/1999 Gray et al. .... D13/103  
D413,300 S \* 8/1999 Igarashi ..... D13/103  
D431,227 S \* 9/2000 Ogasawara ..... D13/103  
D434,722 S \* 12/2000 Zolyomi et al. .... D13/103  
D451,069 S \* 11/2001 Maggert et al. .... D13/103  
D461,163 S \* 8/2002 Hirano et al. .... D13/103

(73) Assignee: **Defibtech, LLC**, Chicago, IL (US)

\* cited by examiner

(\*\*) Term: **14 Years**

*Primary Examiner*—Alan P. Douglas  
*Assistant Examiner*—Rosemary K. Tarcza

(21) Appl. No.: **29/230,299**

(74) *Attorney, Agent, or Firm*—King & Spalding LLP

(22) Filed: **May 19, 2005**

(57) **CLAIM**

(51) **LOC (8) Cl.** ..... **13-02**

We claim the ornamental design for a battery housing, as shown and described.

(52) **U.S. Cl.** ..... **D13/103**

(58) **Field of Classification Search** ..... D13/102–106,  
D13/110, 118–119, 184; 429/96–100, 163,  
429/176

**DESCRIPTION**

See application file for complete search history.

FIG. 1 is a perspective view of one embodiment of the design for a battery housing;  
FIG. 2 is a front view of the design of FIG. 1;  
FIG. 3 is a rear view of the design of FIG. 1;  
FIG. 4 is a top plan view of the design of FIG. 1;  
FIG. 5 is a bottom plan view of the design of FIG. 1;  
FIG. 6 is a left side view of the design of FIG. 1; and,  
FIG. 7 is a right side view of the design of FIG. 1.

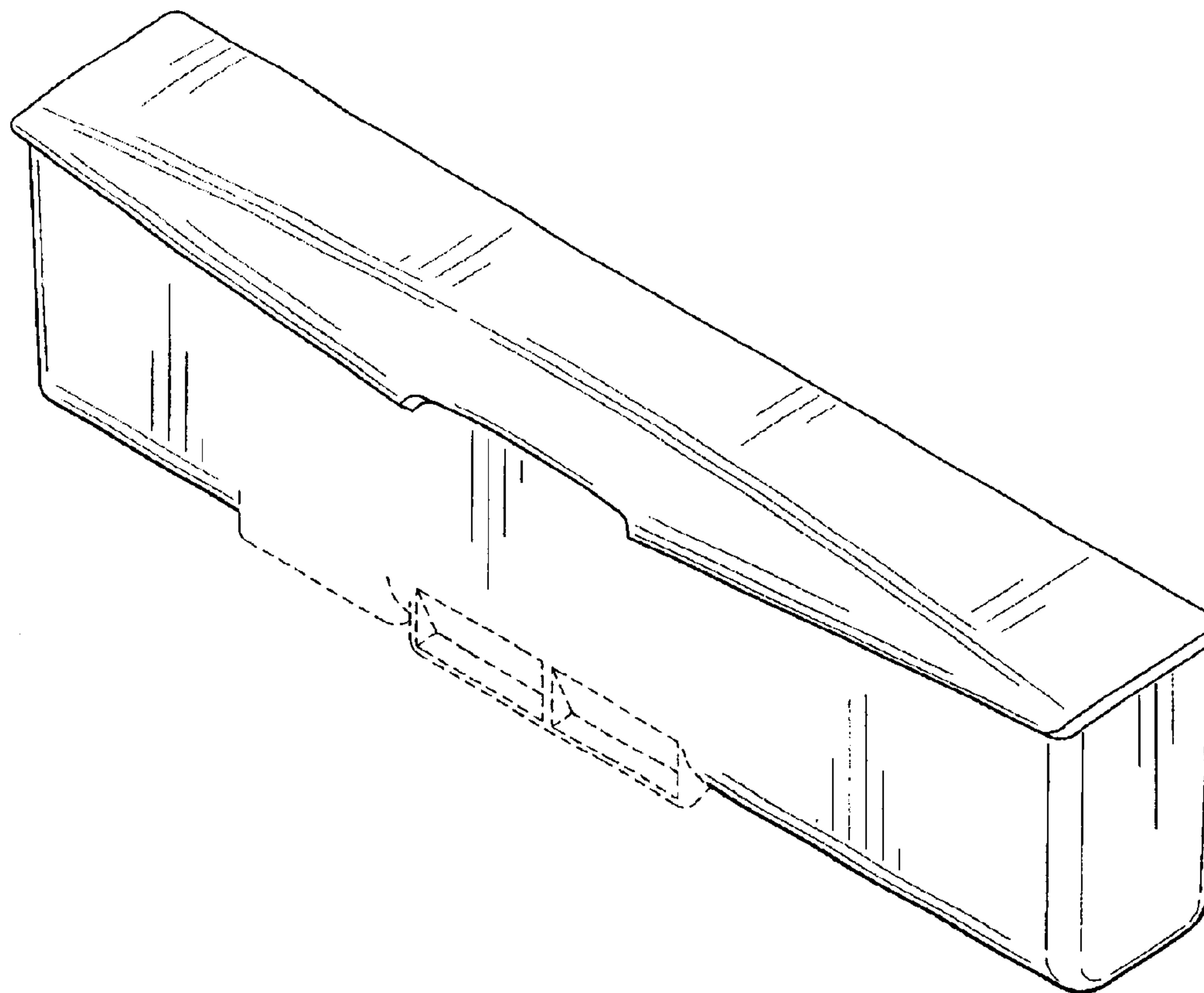
The broken line showing is for illustrative purposes only and forms no part of the claimed design.

(56) **References Cited**

**U.S. PATENT DOCUMENTS**

D243,616 S \* 3/1977 Kaye ..... D13/103  
D243,617 S \* 3/1977 Kaye ..... D13/103  
D329,634 S \* 9/1992 Mizusugi et al. .... D13/103  
D343,381 S \* 1/1994 Inukai et al. .... D13/107  
D349,484 S \* 8/1994 Kuzumoto et al. .... D13/103  
D403,658 S \* 1/1999 Nuovo et al. .... D13/103

**1 Claim, 2 Drawing Sheets**



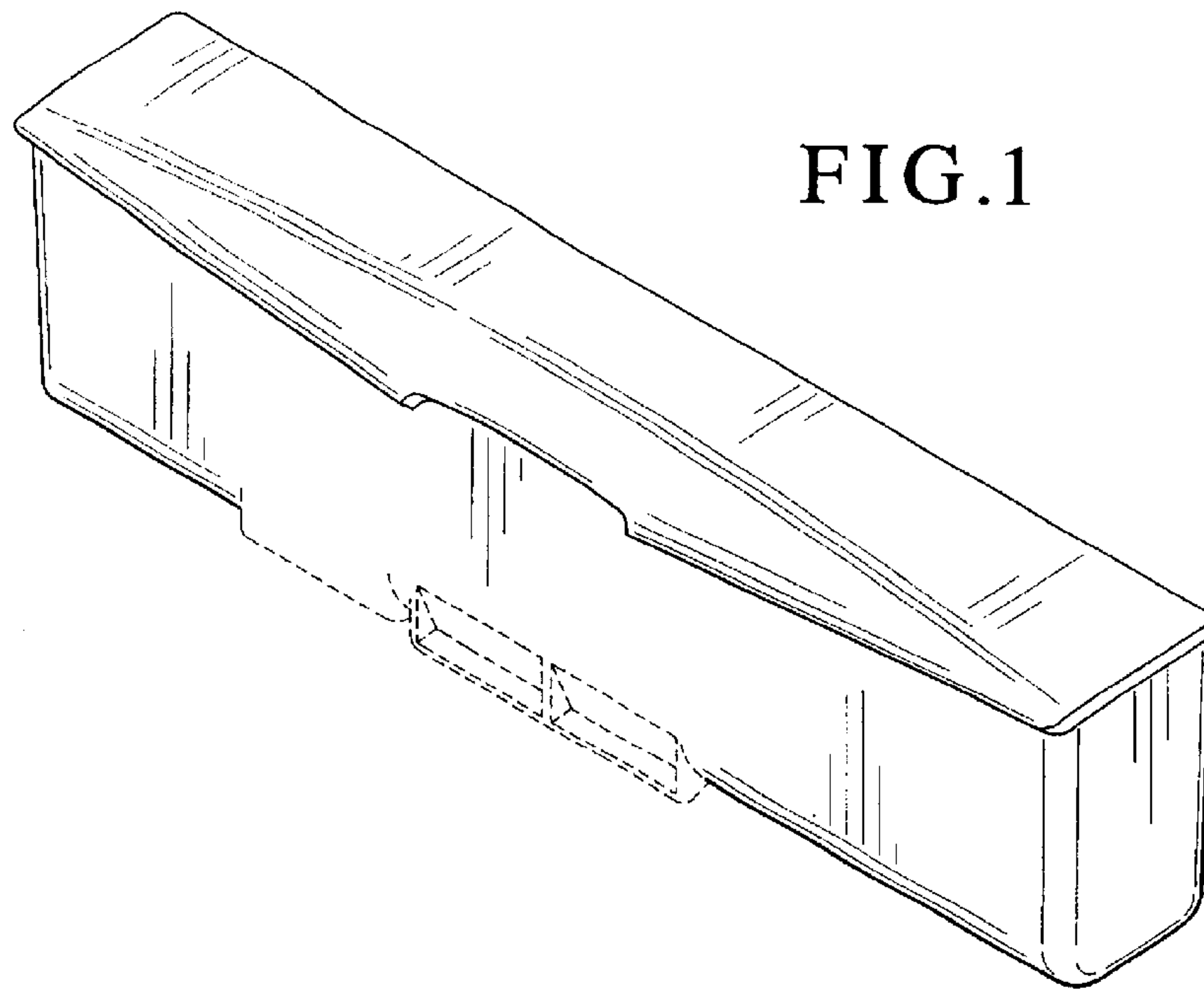


FIG. 2

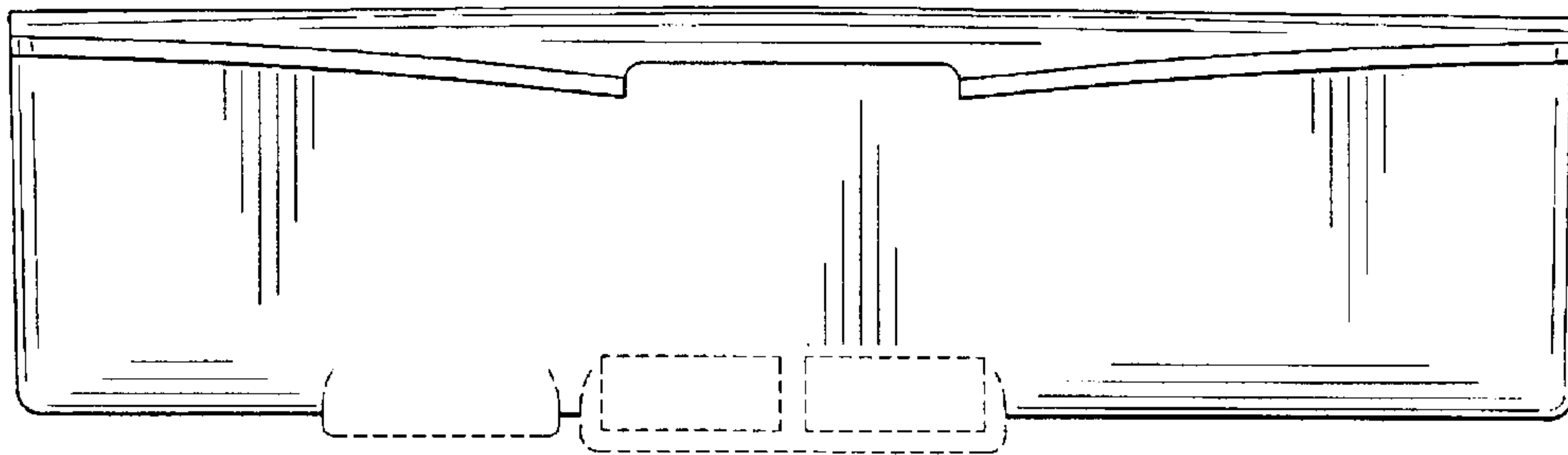


FIG. 3

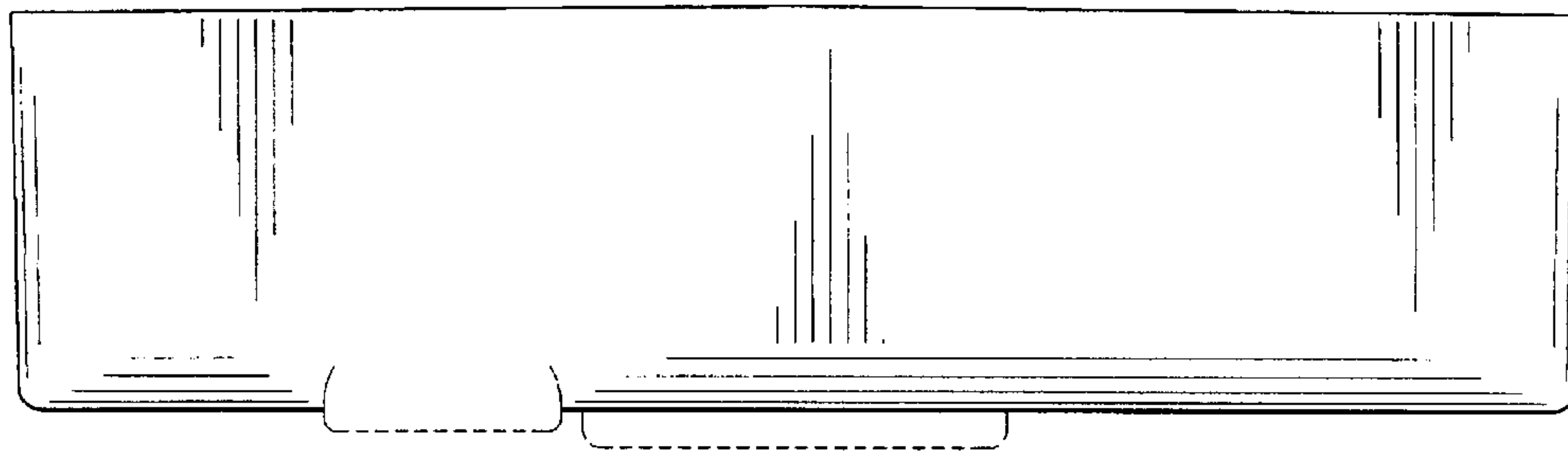


FIG. 4

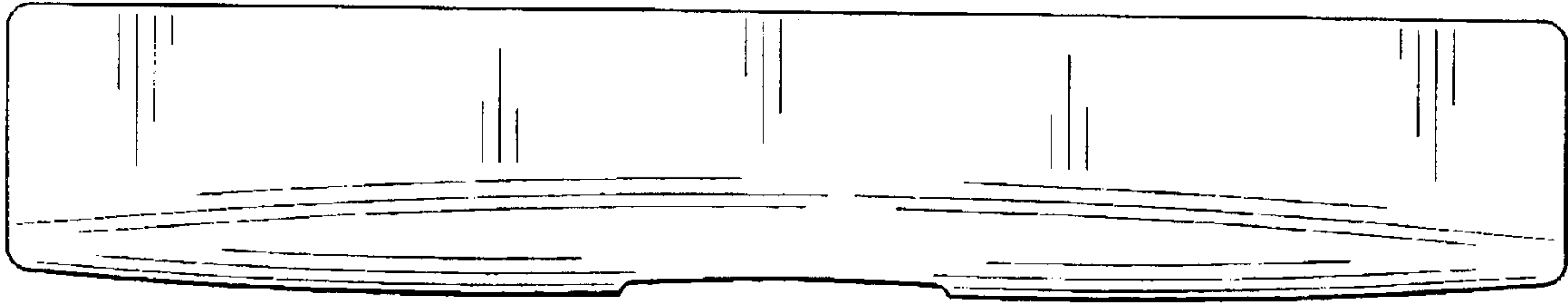


FIG. 5

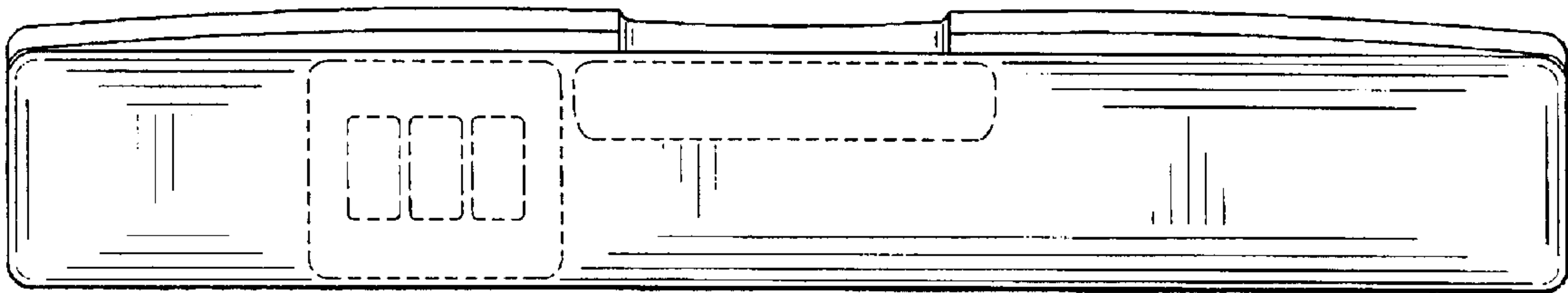


FIG. 6

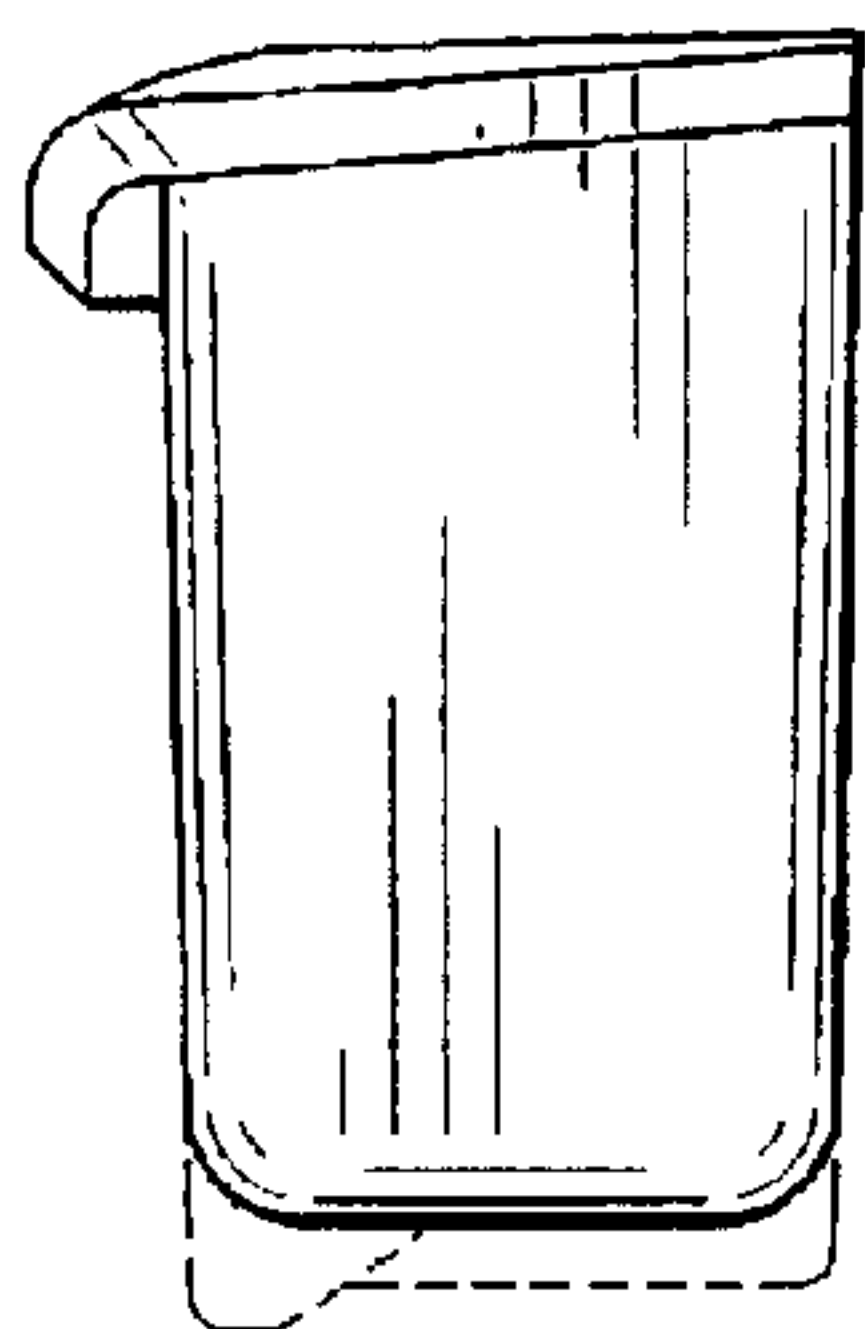


FIG. 7

