



US00D523389S

(12) **United States Design Patent**
Ezra

(10) **Patent No.:** **US D523,389 S**
(45) **Date of Patent:** **** Jun. 20, 2006**

(54) **CARGO CARRIER**

(76) Inventor: **Brandon Joshua Ezra**, 9341 South St.,
Rd. 39, Winamac, IN (US) 46996

(**) Term: **14 Years**

(21) Appl. No.: **29/234,876**

(22) Filed: **Jul. 25, 2005**

(51) **LOC (8) Cl.** **12-16**

(52) **U.S. Cl.** **D12/406**

(58) **Field of Classification Search** D12/400,
D12/406, 412-414.1, 162, 408; D6/552;
280/760-762, 769, 727; 414/462; 410/3;
224/539, 485, 510-511, 522, 524, 400-401,
224/489-490, 494, 924, 42.32, 42.33, 402-405
See application file for complete search history.

D306,992 S	4/1990	Morehouse	
5,649,732 A	7/1997	Jordan	
D393,241 S	4/1998	Diotte	
6,006,973 A	12/1999	Belinky	
6,019,266 A *	2/2000	Johnson 224/924
6,179,184 B1	1/2001	Belinky	
6,390,343 B1	5/2002	Jain	
D458,579 S	6/2002	Adams	
D467,218 S *	12/2002	Peschmann et al. D12/408
6,579,055 B1 *	6/2003	Williams 224/924
6,695,184 B1 *	2/2004	Higginbotham, III 224/501
D505,106 S *	5/2005	Kuseske et al. D12/406
6,887,027 B1 *	5/2005	O'Leary et al. 414/462
D508,014 S *	8/2005	Heravi D12/406

* cited by examiner

Primary Examiner—Stacia Cadmus

(57) **CLAIM**

The ornamental design for a cargo carrier, as shown and described.

(56) **References Cited**

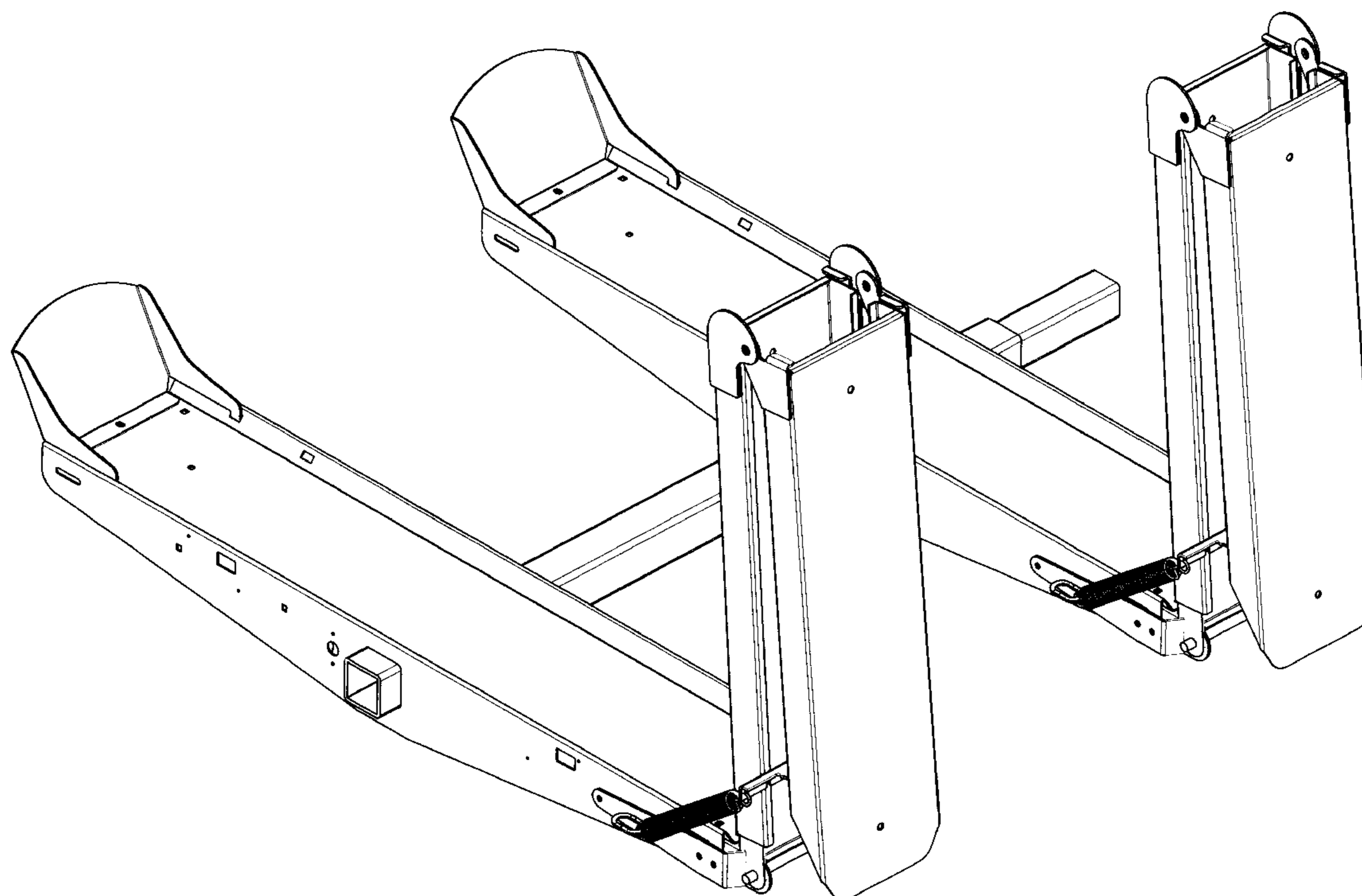
U.S. PATENT DOCUMENTS

3,567,052 A	3/1971	Millard
3,724,694 A	4/1973	Wilson
3,731,830 A	5/1973	Long
3,912,139 A	10/1975	Bowman
4,234,284 A	11/1980	Hauff
4,275,981 A	6/1981	Bruhn
4,349,138 A	9/1982	Bruhn
4,593,840 A	6/1986	Chown
4,744,590 A	5/1988	Chesney
4,813,584 A	3/1989	Wiley

DESCRIPTION

FIG. 1 is a front perspective view of a cargo carrier.
FIG. 2 is a front elevation view of the cargo carrier.
FIG. 3 is a rear elevation view of the cargo carrier.
FIG. 4 is a top plan view of the cargo carrier.
FIG. 5 is a bottom plan view of the cargo carrier.
FIG. 6 is a left side elevation view of the cargo carrier; and,
FIG. 7 is a right side elevation view of the cargo carrier.

1 Claim, 4 Drawing Sheets



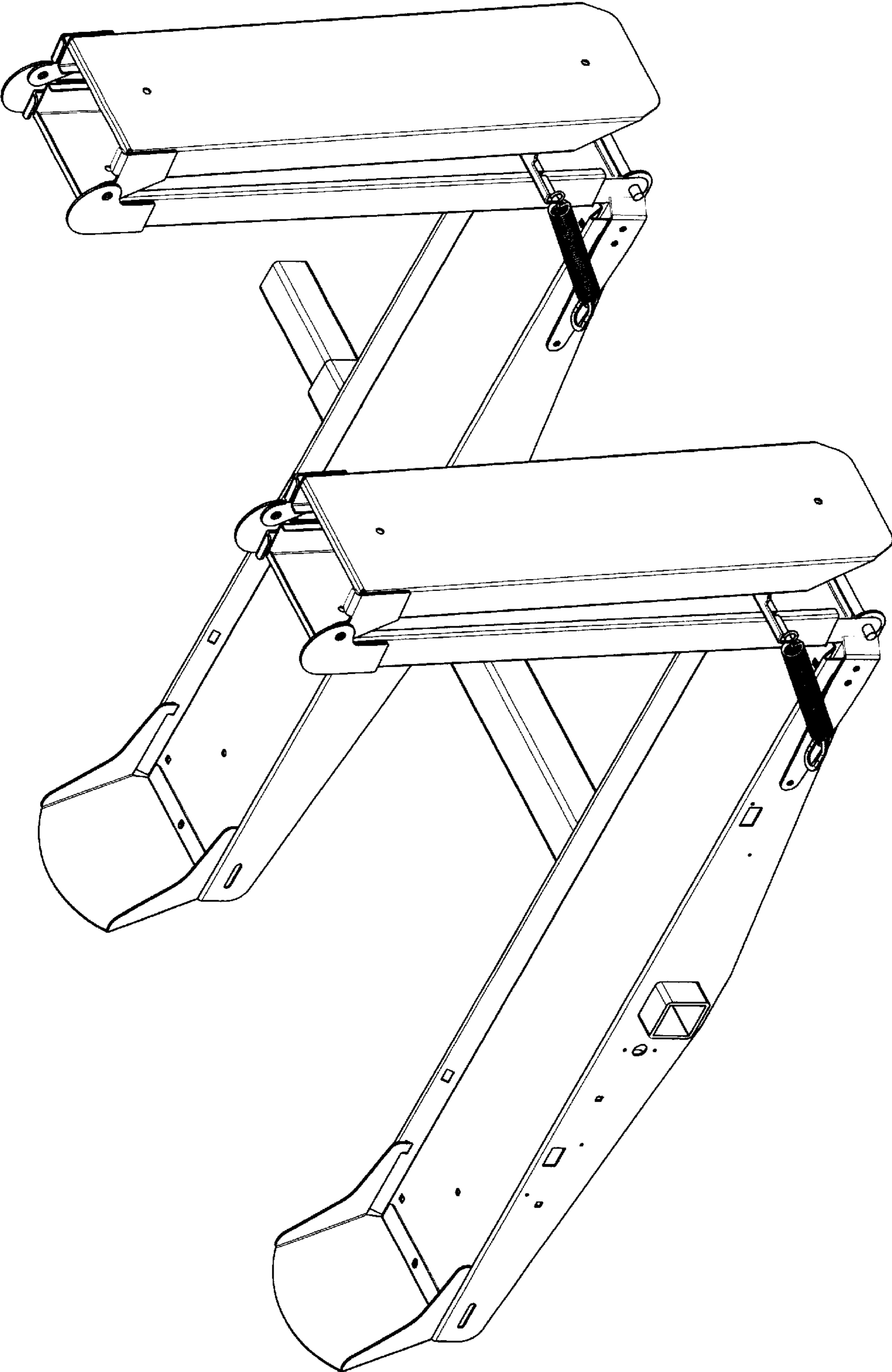


Figure 1

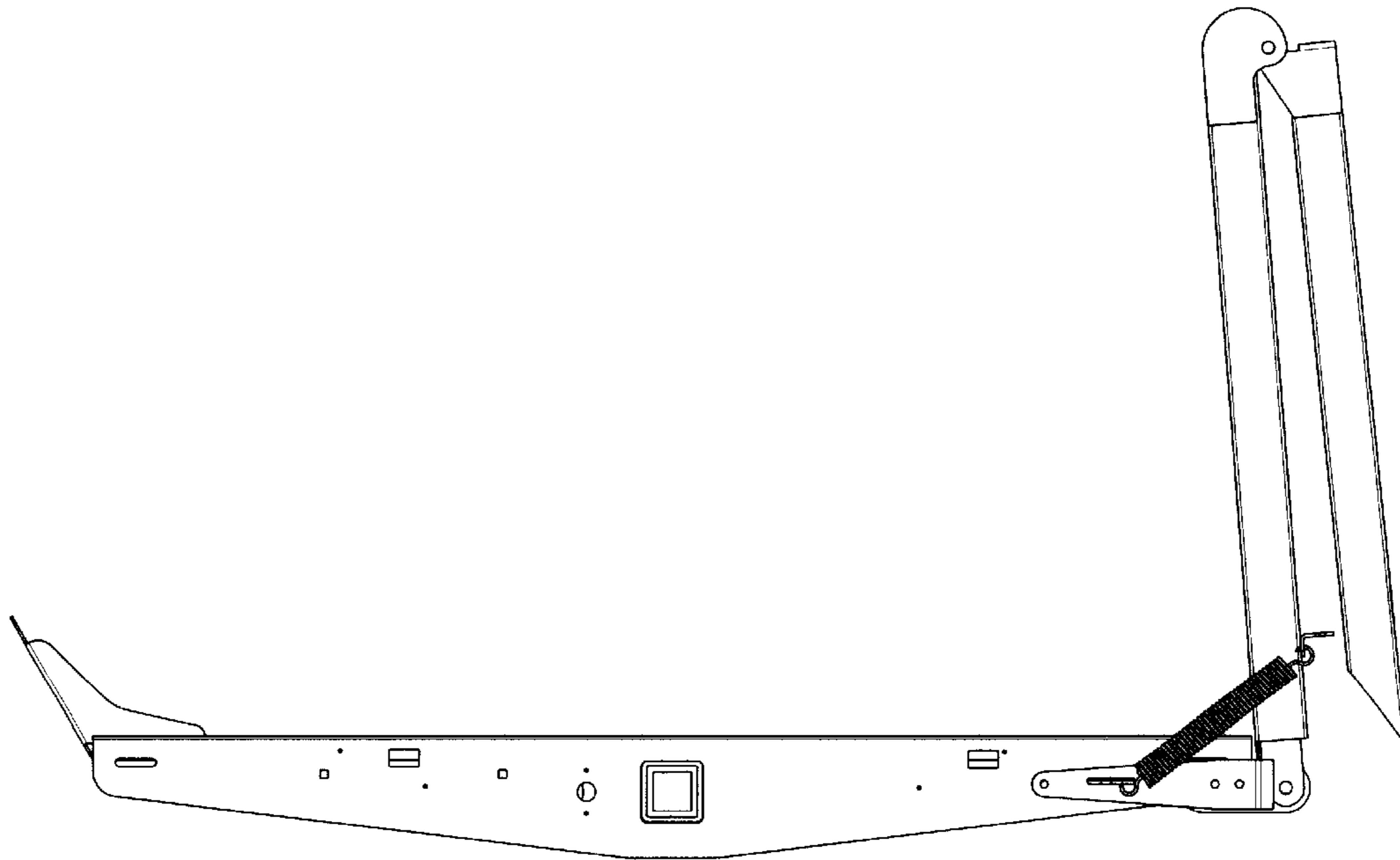


Figure 2

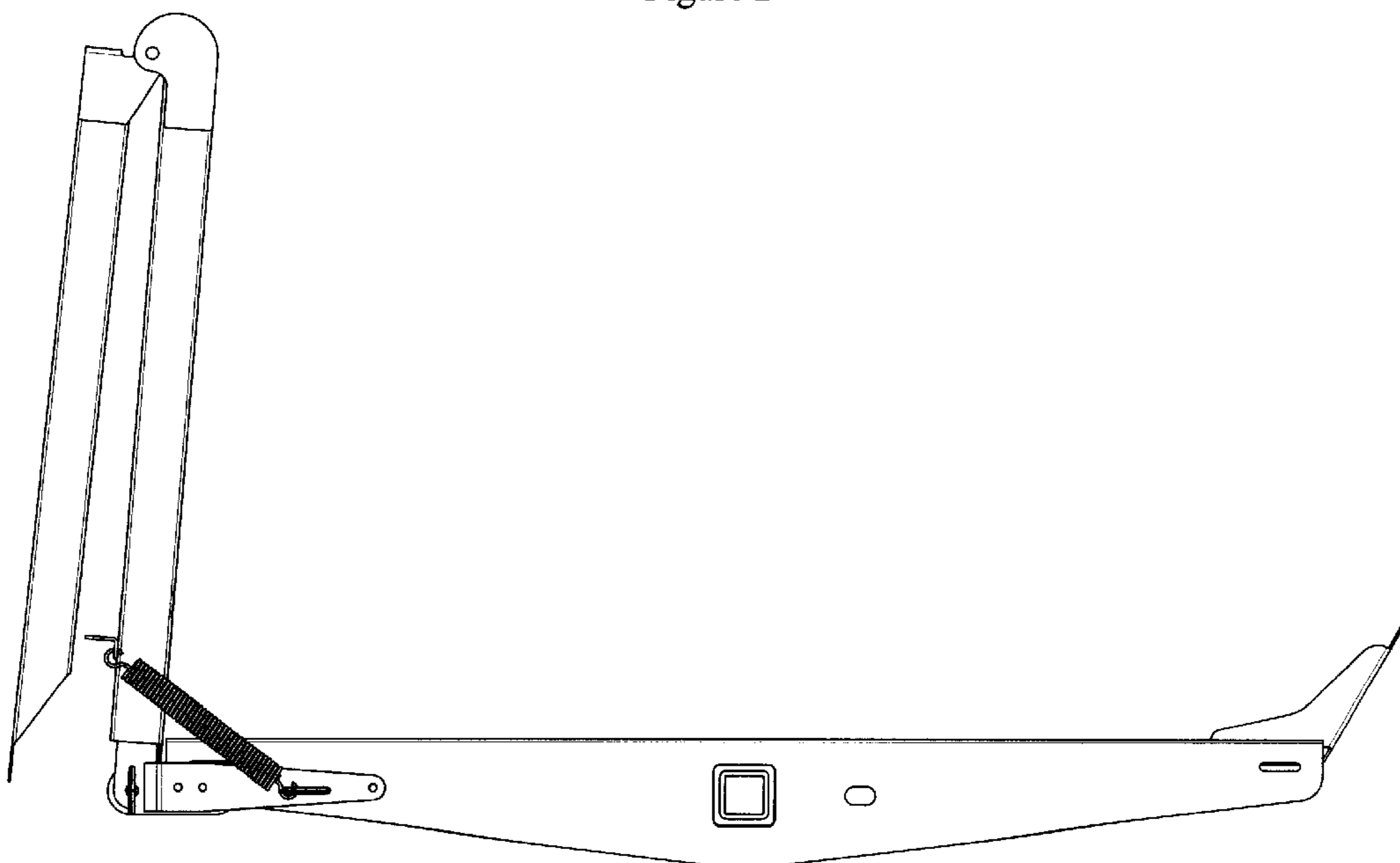


Figure 3

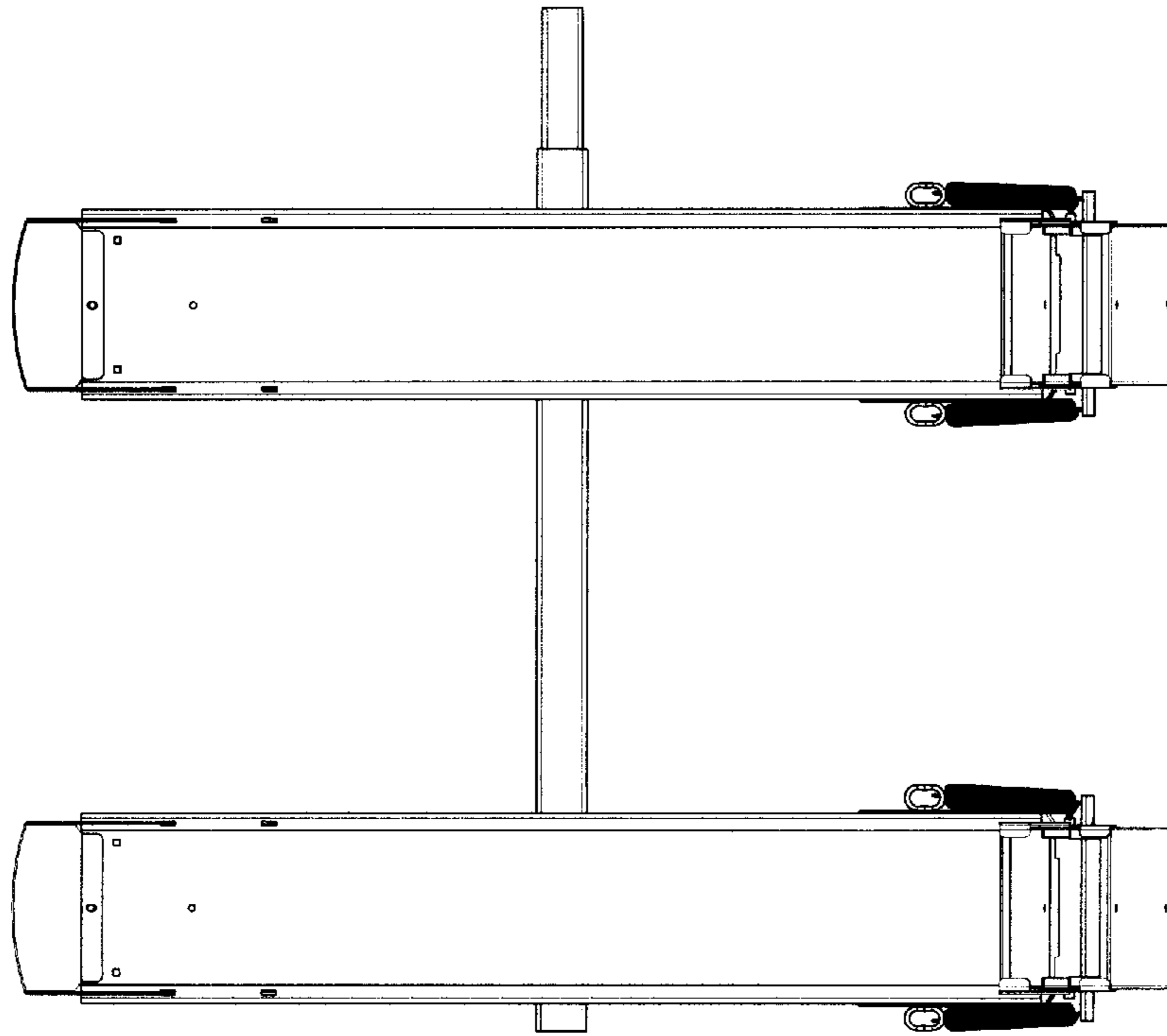


Figure 4

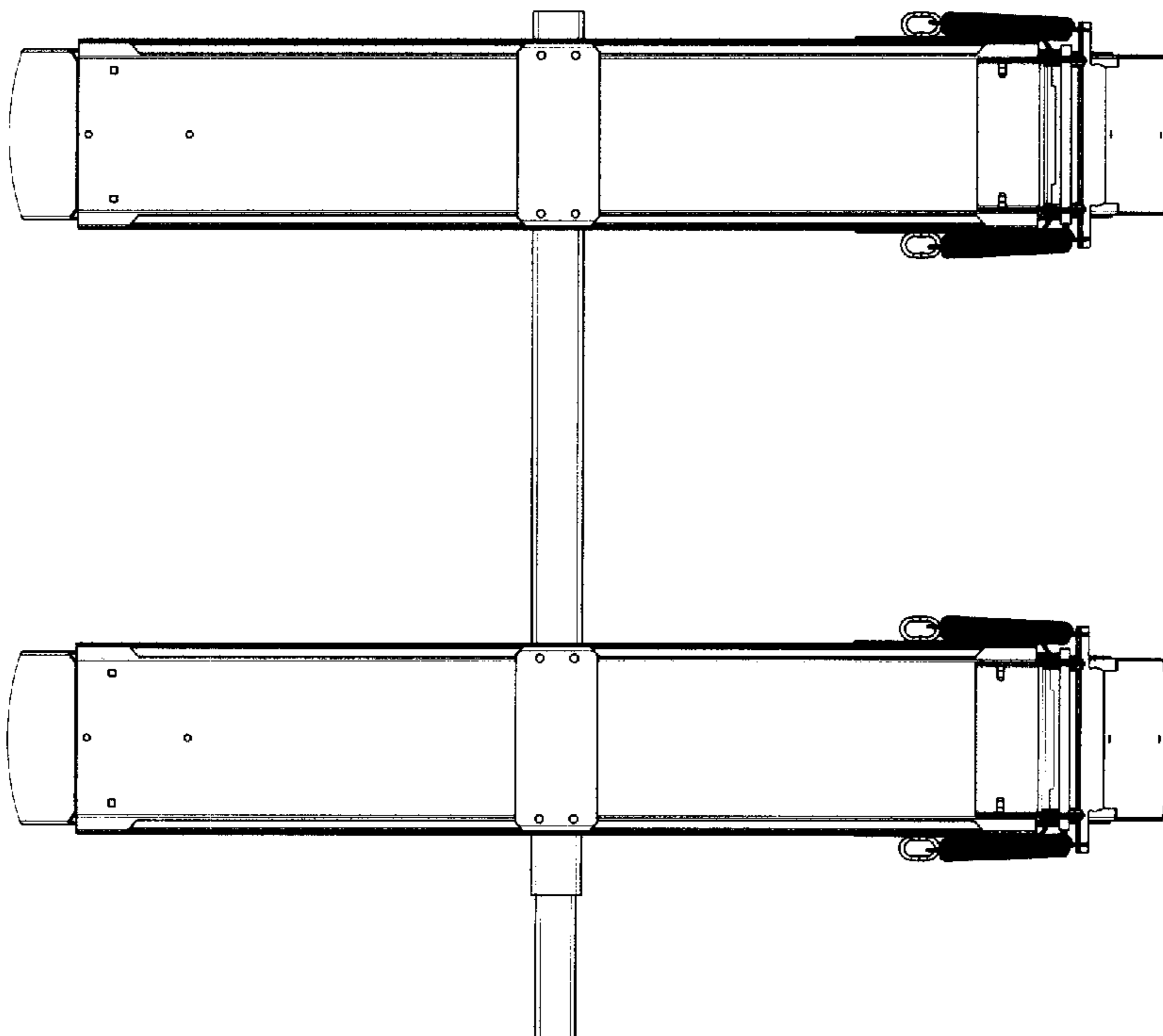


Figure 5

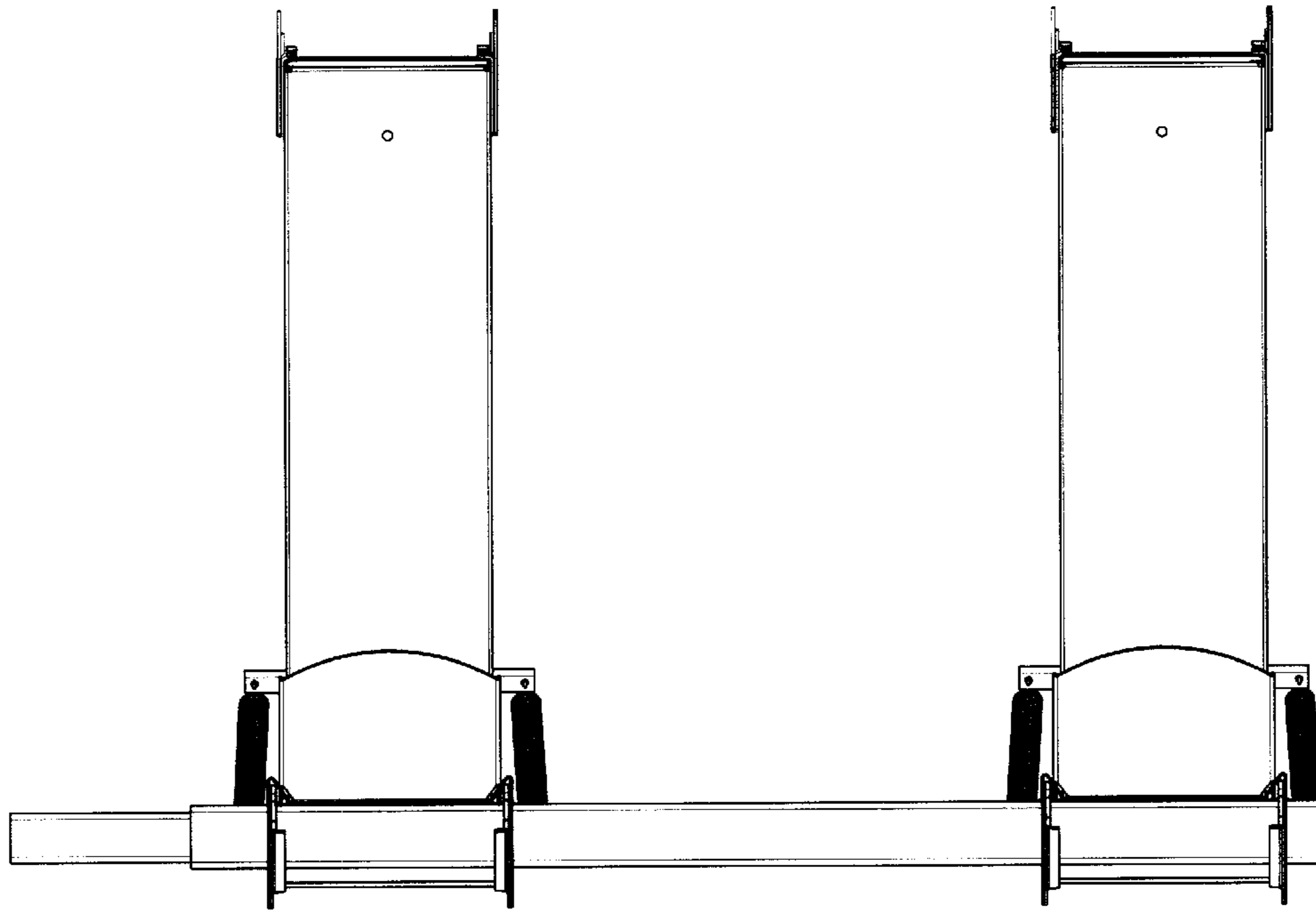


Figure 6

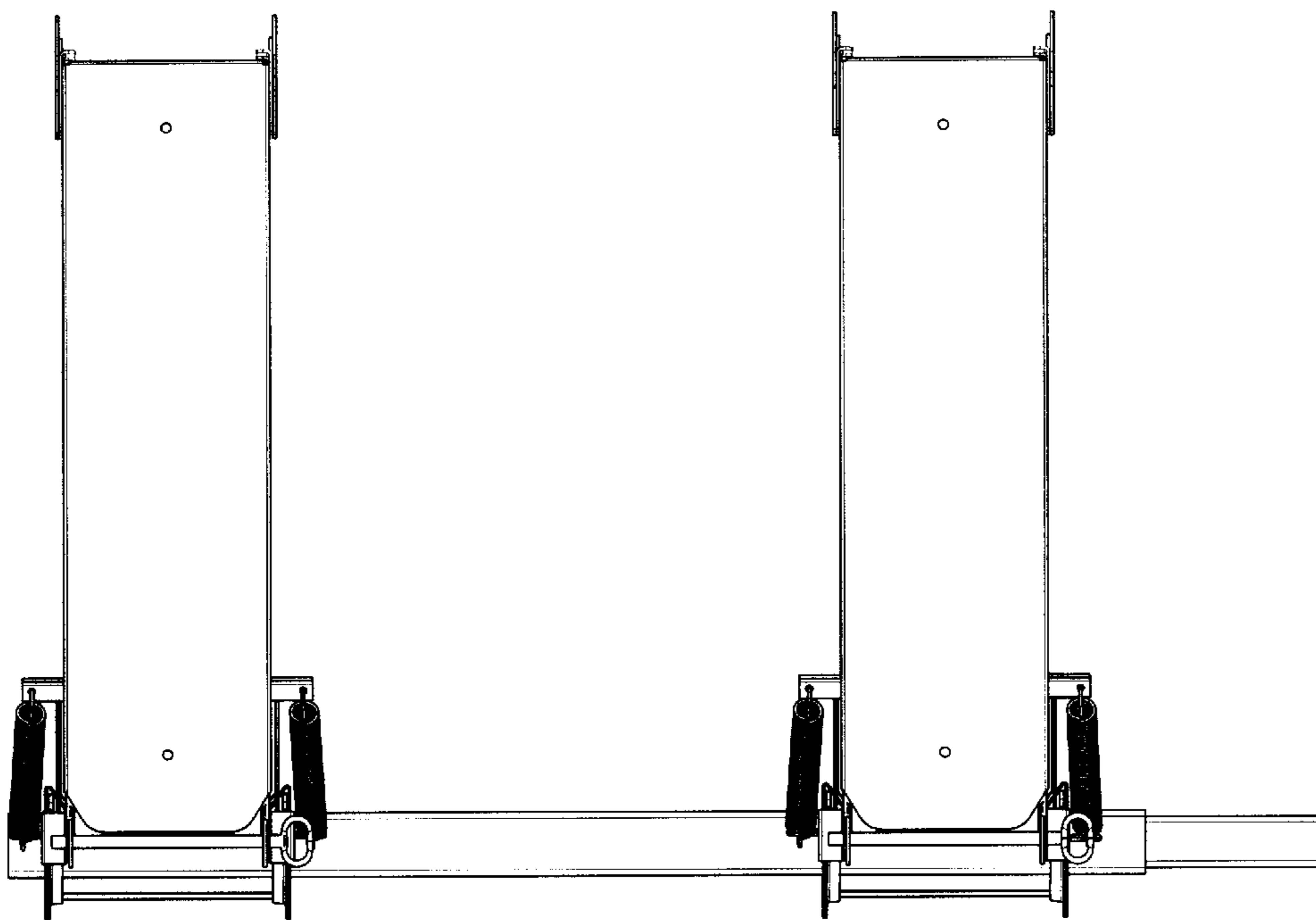


Figure 7