



US00D523388S

(12) **United States Design Patent**
Plumb

(10) **Patent No.:** **US D523,388 S**
(45) **Date of Patent:** **** Jun. 20, 2006**

(54) **BOAT HULL**
(75) Inventor: **Eric Plumb**, Bellerive, IL (US)
(73) Assignee: **BRP US Inc.**, Sturtevant, WI (US)
(**) Term: **14 Years**

D459,693 S 7/2002 Aube et al.
D482,648 S 11/2003 Eck et al.
D489,311 S 5/2004 Eck
D490,766 S * 6/2004 Eck et al. D12/319
D509,469 S 9/2005 Longpre et al.

* cited by examiner

(21) Appl. No.: **29/241,659**
(22) Filed: **Oct. 31, 2005**

Primary Examiner—Holly Baynham
Assistant Examiner—Cynthia M. Chin
(74) *Attorney, Agent, or Firm*—Osler, Hoskin & Harcourt LLP

Related U.S. Application Data

(62) Division of application No. 29/237,299, filed on Aug. 30, 2005.
(51) **LOC (8) Cl.** **12-06**
(52) **U.S. Cl.** **D12/300**
(58) **Field of Classification Search** D12/300–318;
114/61.1, 283, 288–292, 343, 355; 440/27,
440/35
See application file for complete search history.

(57) **CLAIM**

The ornamental design for a boat hull, as shown and described.

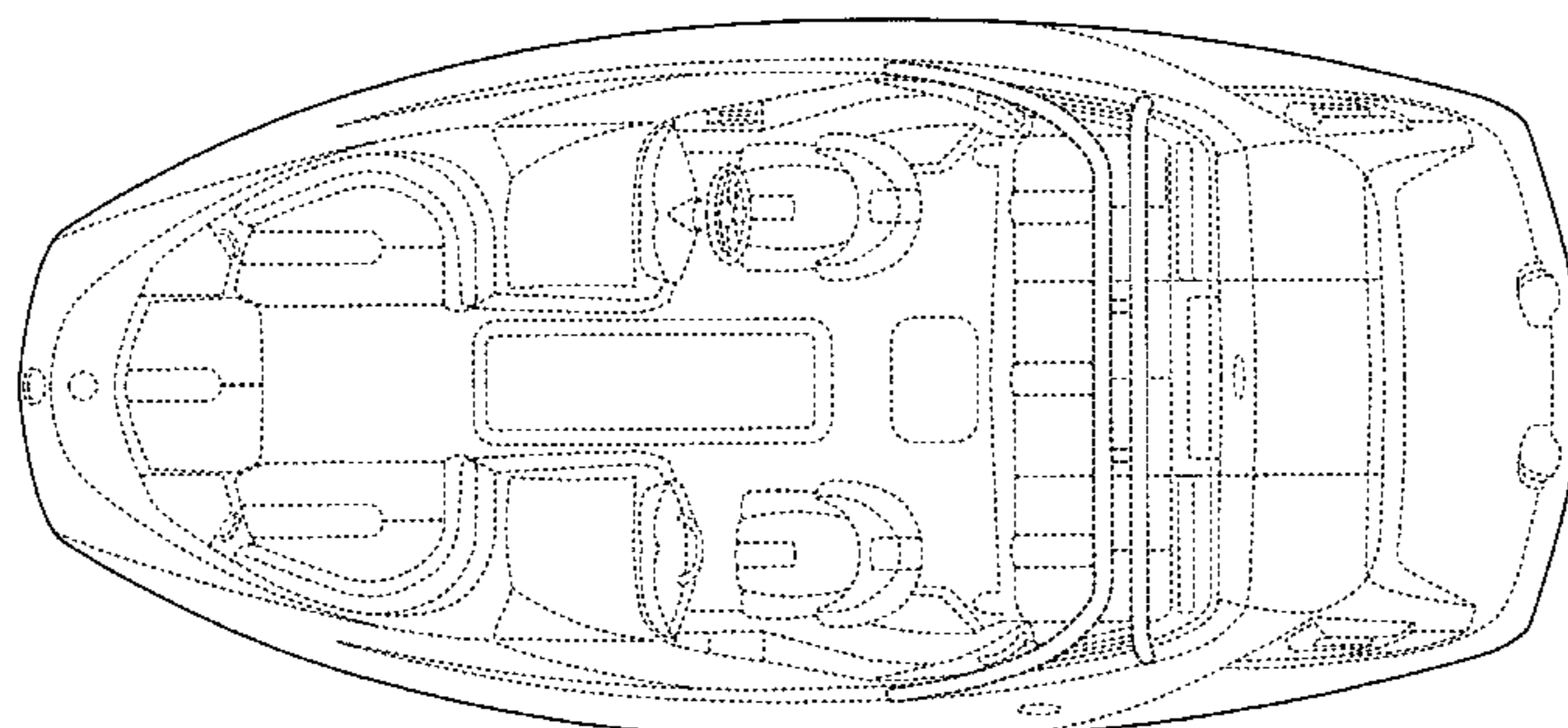
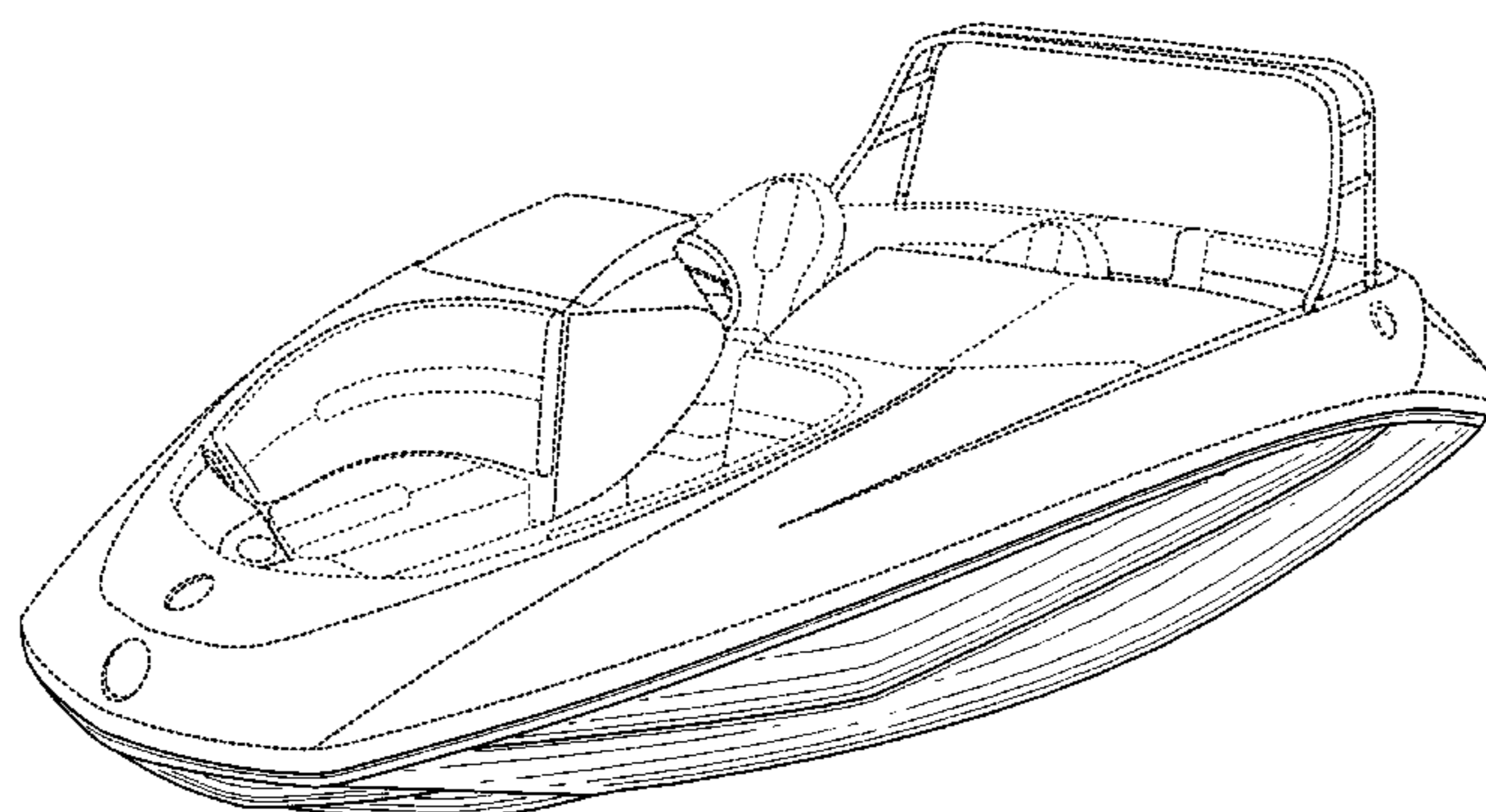
DESCRIPTION

FIG. 1 is a perspective illustration, from the front and left side, of a boat hull of the present invention;
FIG. 2 is a front view of the boat hull of FIG. 1;
FIG. 3 is a rear view of the boat hull of FIG. 1;
FIG. 4 is a left side view of the boat hull of FIG. 1;
FIG. 5 is a right side view of the boat hull of FIG. 1;
FIG. 6 is a top plan view of the boat hull of FIG. 1; and,
FIG. 7 is a bottom plan view of the boat hull of FIG. 1.
Where included, broken lines showing environment or structure are for illustrative purposes only and form no part of the claimed design.

(56) **References Cited**
U.S. PATENT DOCUMENTS

D345,339 S * 3/1994 Wenstadt et al. D12/313
D357,223 S * 4/1995 Thompson et al. D12/314
D375,479 S 11/1996 Lapointe et al.
D395,273 S * 6/1998 Maki et al. D12/314
D400,844 S * 11/1998 Lapointe et al. D12/307
D409,555 S 5/1999 Lapointe et al.

1 Claim, 6 Drawing Sheets



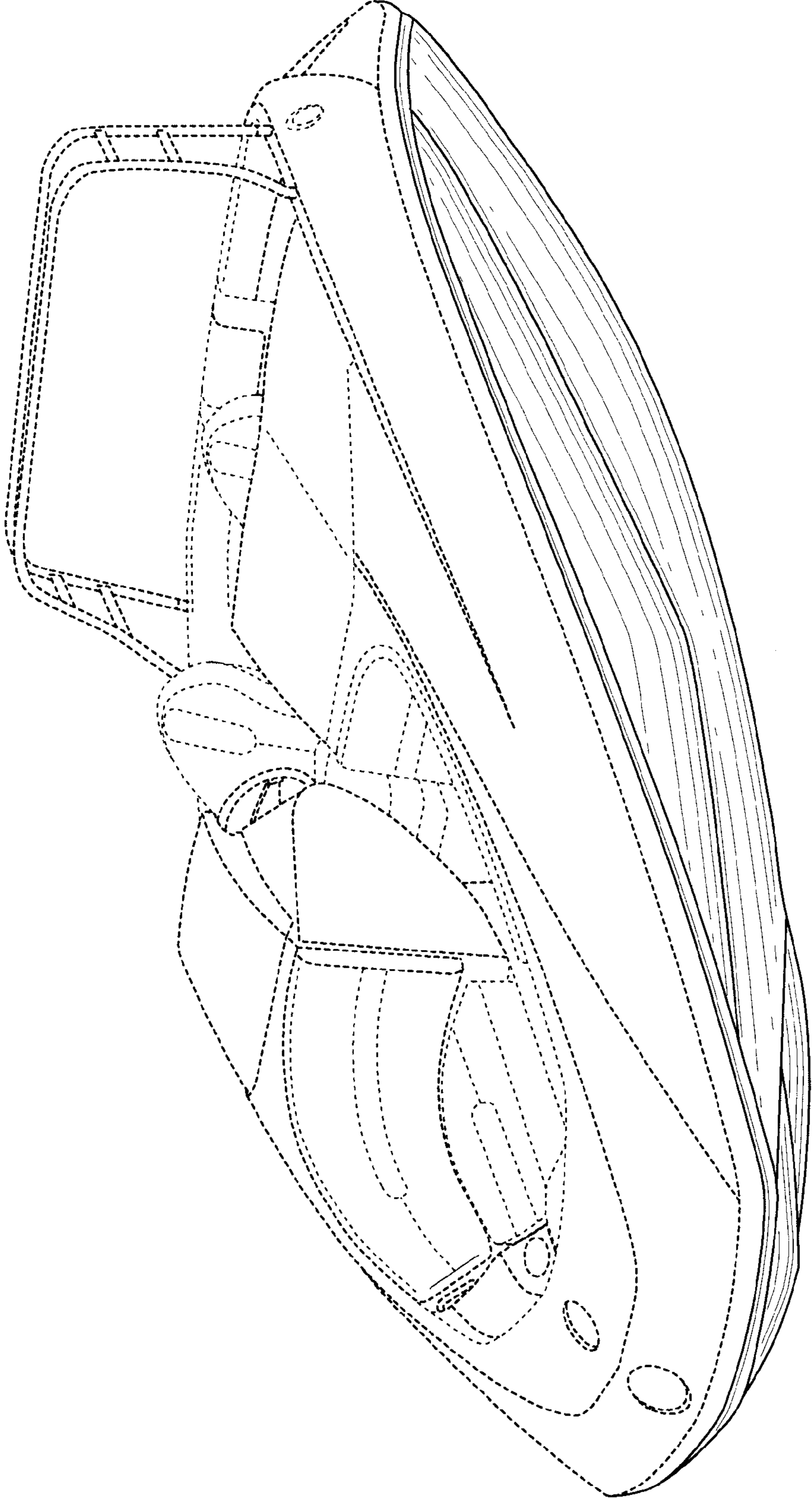


FIG. 1

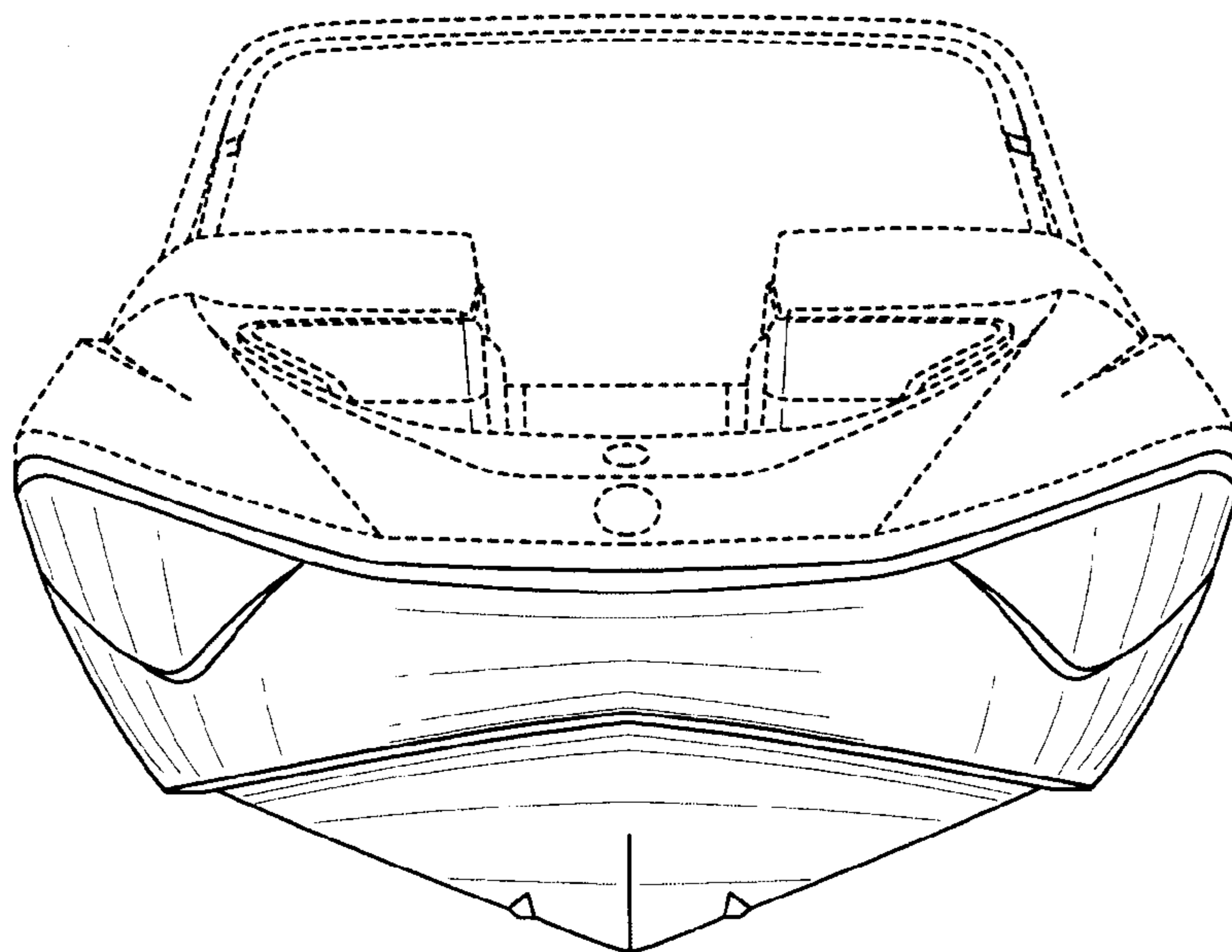


FIG. 2

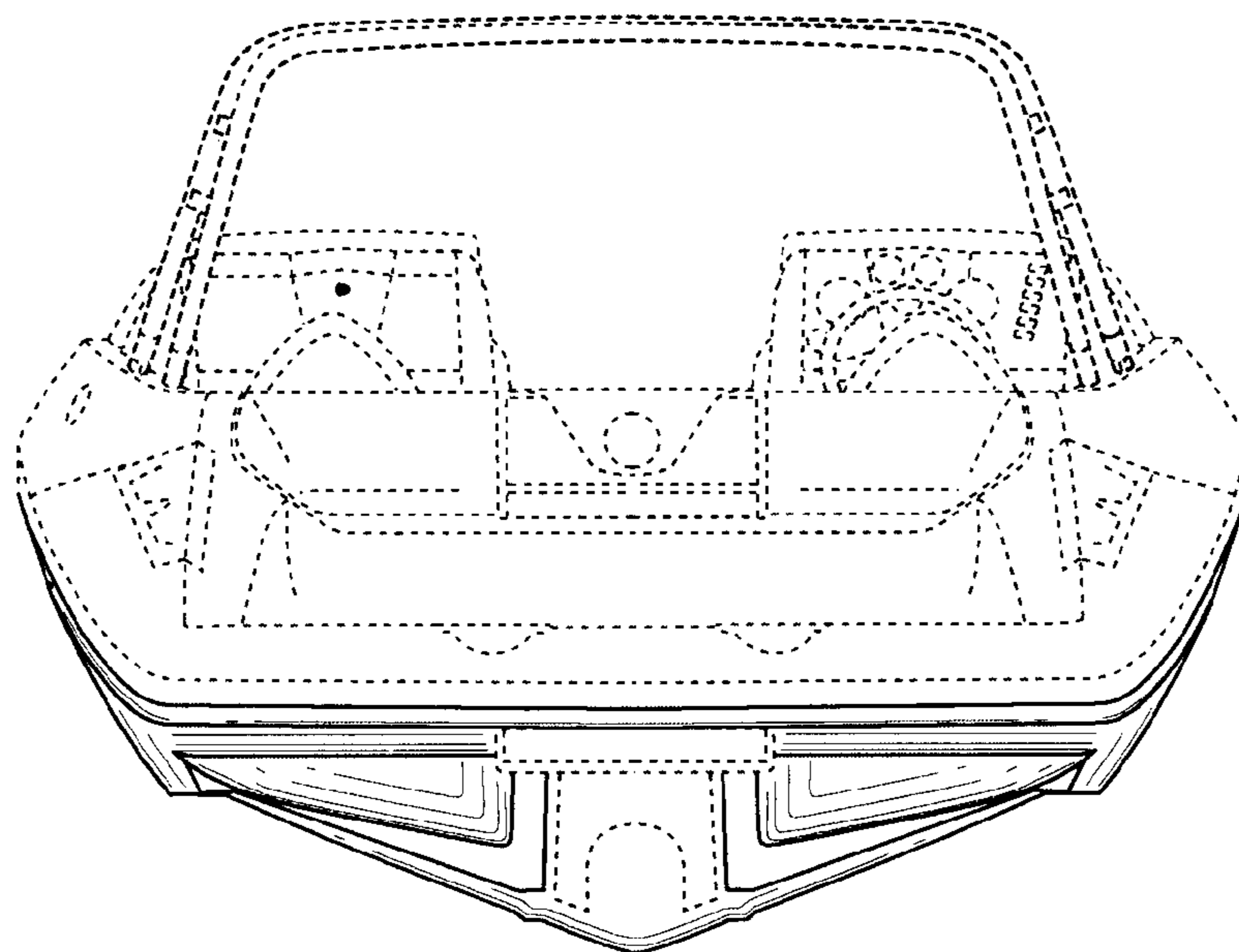


FIG. 3

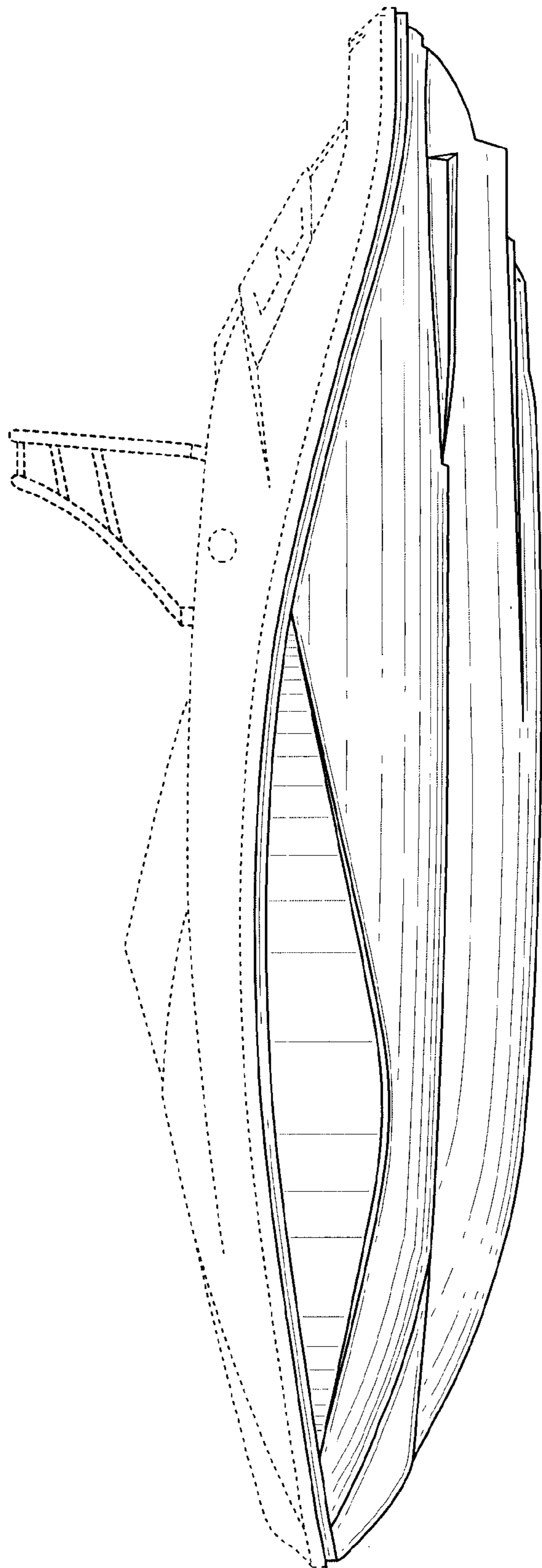


FIG. 4

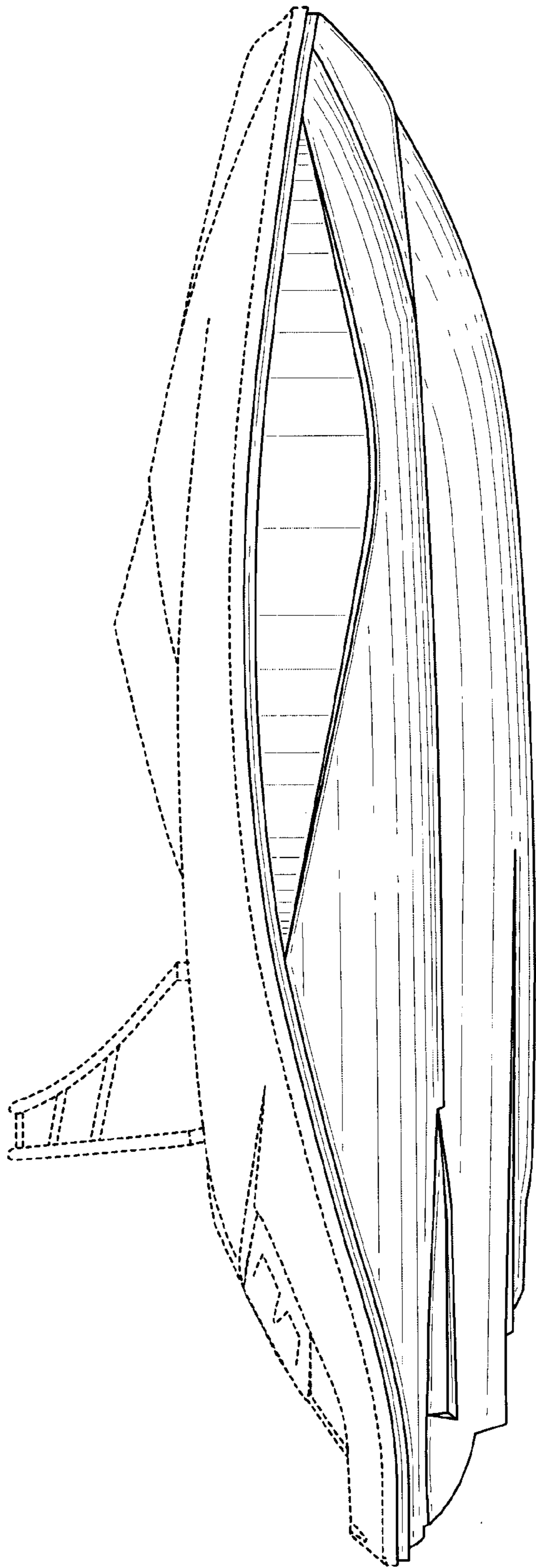


FIG. 5

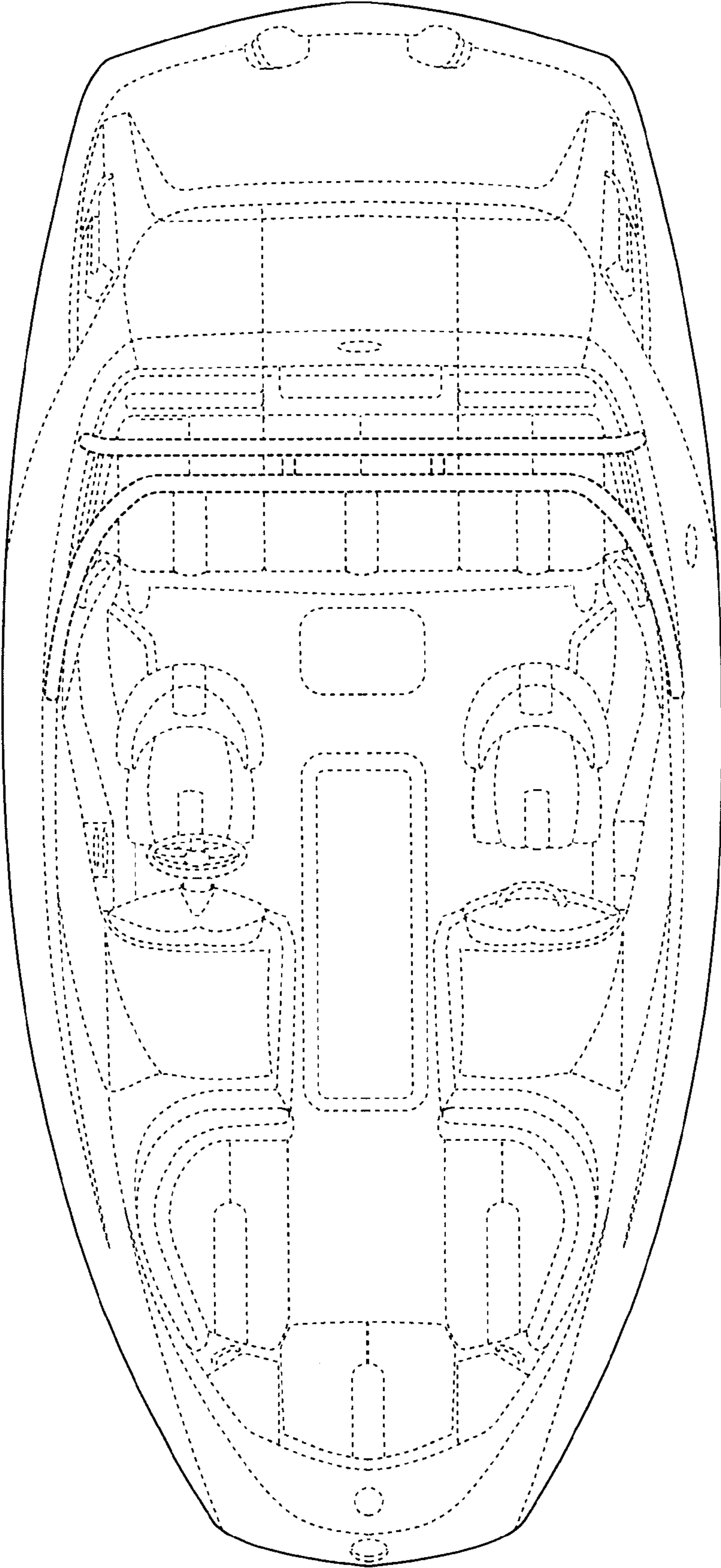


FIG. 6

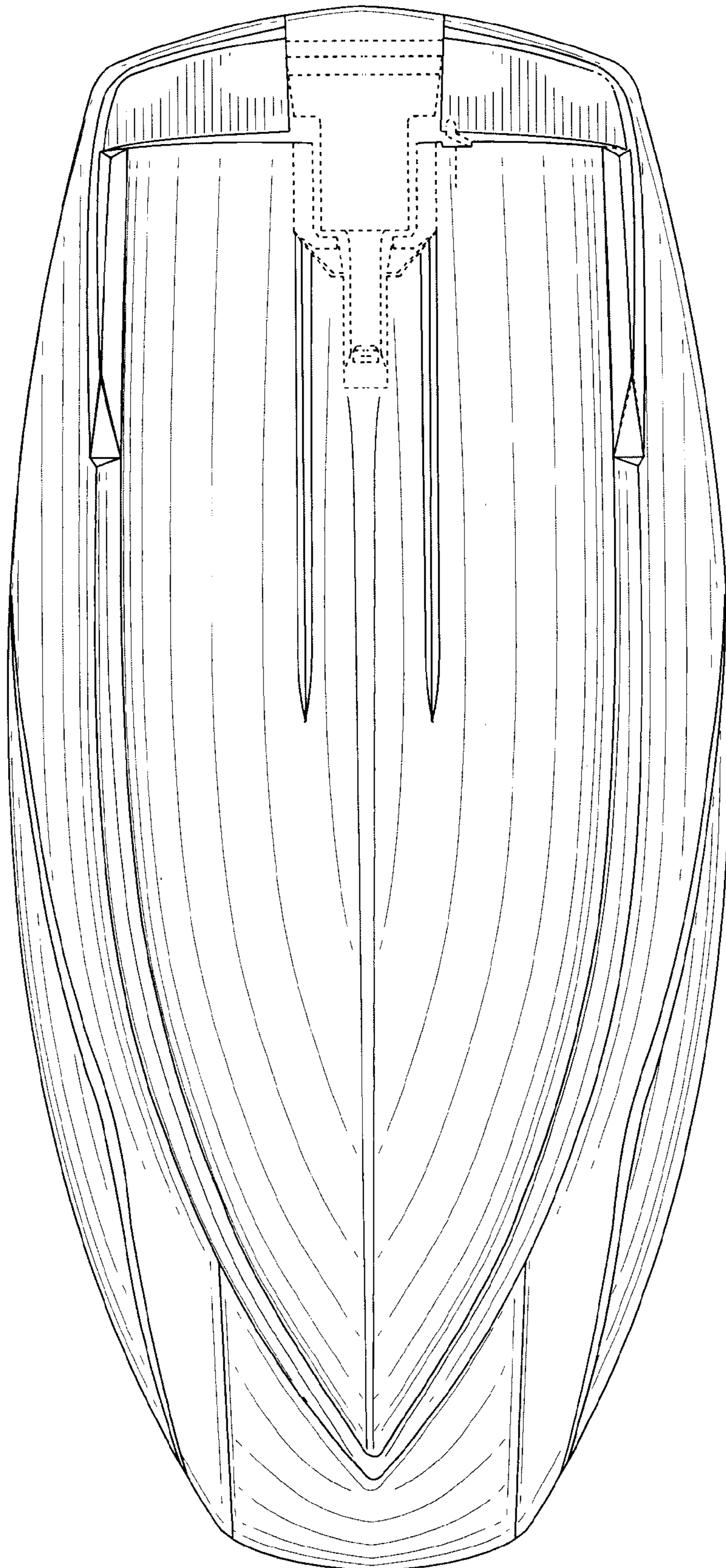


FIG. 7