



US00D523387S

(12) **United States Design Patent**
Pfeiffer

(10) **Patent No.:** **US D523,387 S**

(45) **Date of Patent:** **** Jun. 20, 2006**

(54) **FRONT FACE OF A VEHICLE WHEEL**

(75) Inventor: **Peter Pfeiffer**, Boeblingen (DE)

(73) Assignee: **DaimlerChrysler AG**, Stuttgart (DE)

(**) Term: **14 Years**

(21) Appl. No.: **29/231,697**

(22) Filed: **Jun. 9, 2005**

(30) **Foreign Application Priority Data**

Dec. 23, 2004 (DE) 40407215

(51) **LOC (8) Cl.** **12-16**

(52) **U.S. Cl.** **D12/211**

(58) **Field of Classification Search** D12/204-213;
301/37.101, 64.101, 65

See application file for complete search history.

(56) **References Cited**

U.S. PATENT DOCUMENTS

D409,968 S * 5/1999 Goplen D12/211
D418,473 S * 1/2000 Chung D12/211
D466,466 S * 12/2002 Laengerer D12/211
D471,144 S * 3/2003 Pfeiffer D12/209

D476,284 S * 6/2003 Pfeiffer et al. D12/211
D487,569 S * 3/2004 Laengerer D12/211
D512,360 S * 12/2005 Boyer D12/211
D512,675 S * 12/2005 Nagashima D12/209

* cited by examiner

Primary Examiner—Stacia Cadmus

(74) *Attorney, Agent, or Firm*—Crowell & Moring LLP

(57) **CLAIM**

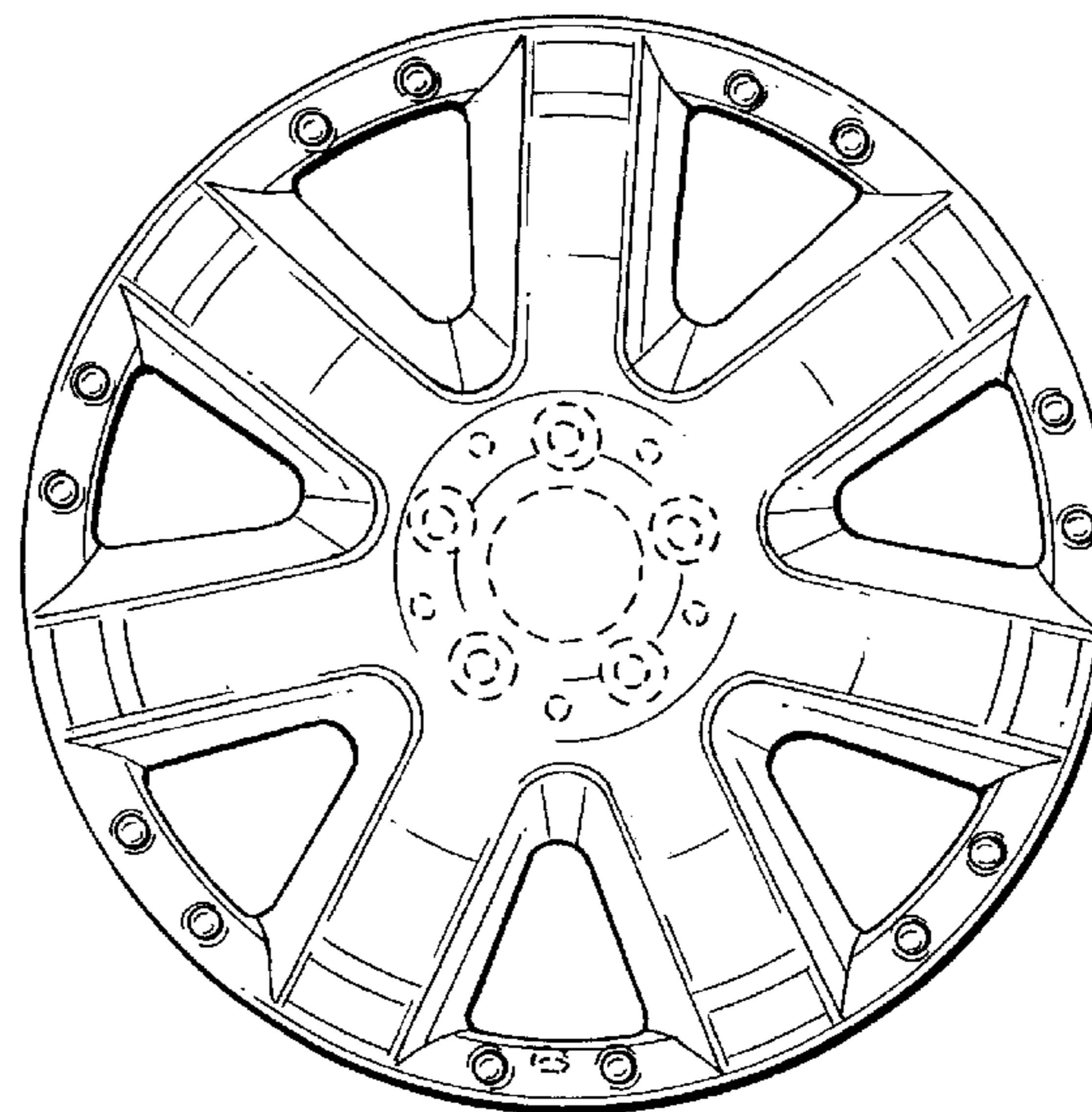
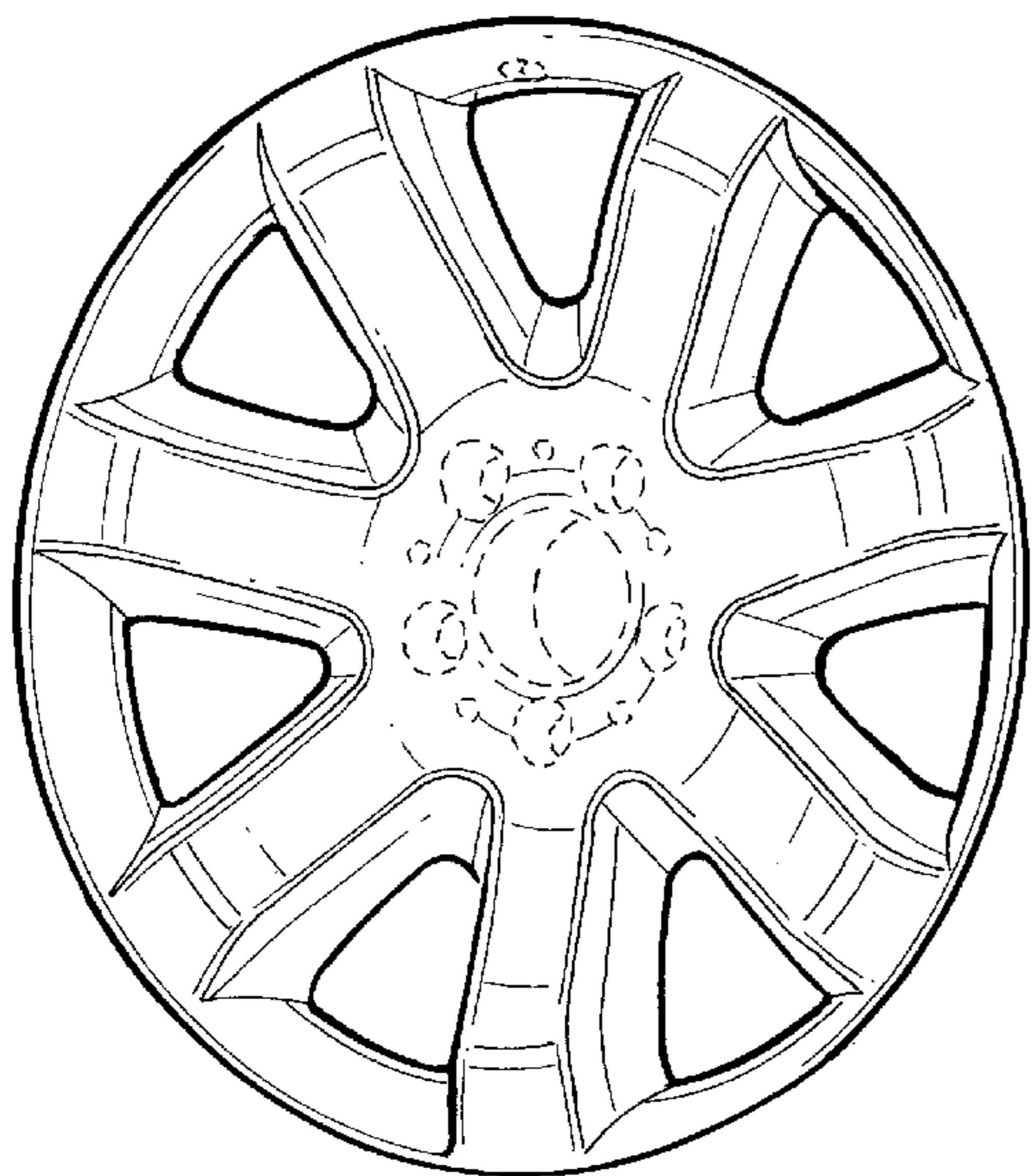
The ornamental design for a front face of a vehicle wheel, as shown and described.

DESCRIPTION

FIG. 1 is a perspective view of a first embodiment of a front face of a vehicle wheel according to my novel design; FIG. 2 is a front view of the first embodiment of the front face of a vehicle wheel according to my novel design; FIG. 3 is a front view of a second embodiment of the front face of a vehicle wheel according to my novel design; and, FIG. 4 is a perspective view of the second embodiment of the front face of a vehicle wheel according to my novel design.

The broken lines are for illustrative purposes only and form no part of the claimed design.

1 Claim, 2 Drawing Sheets



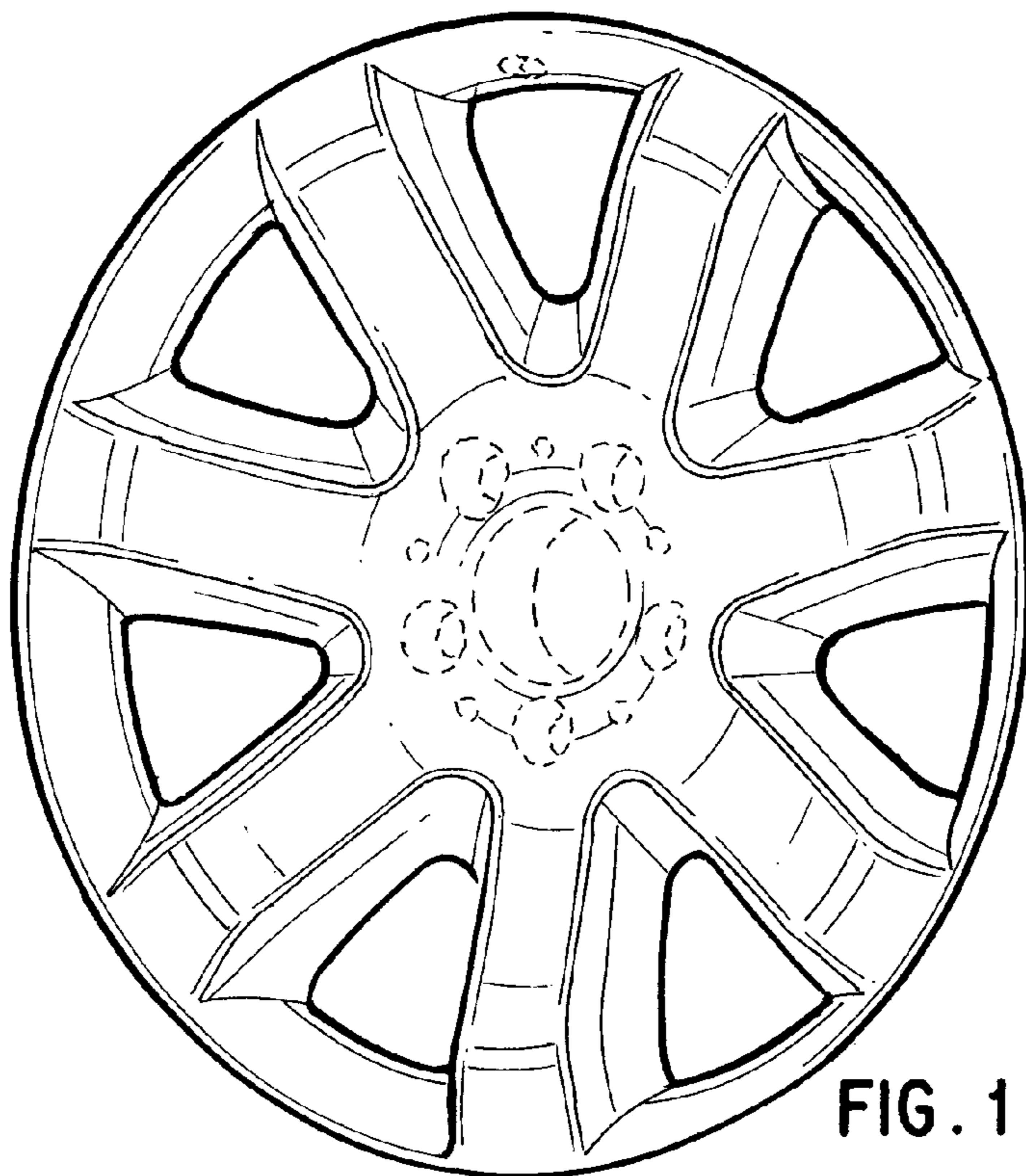


FIG. 1

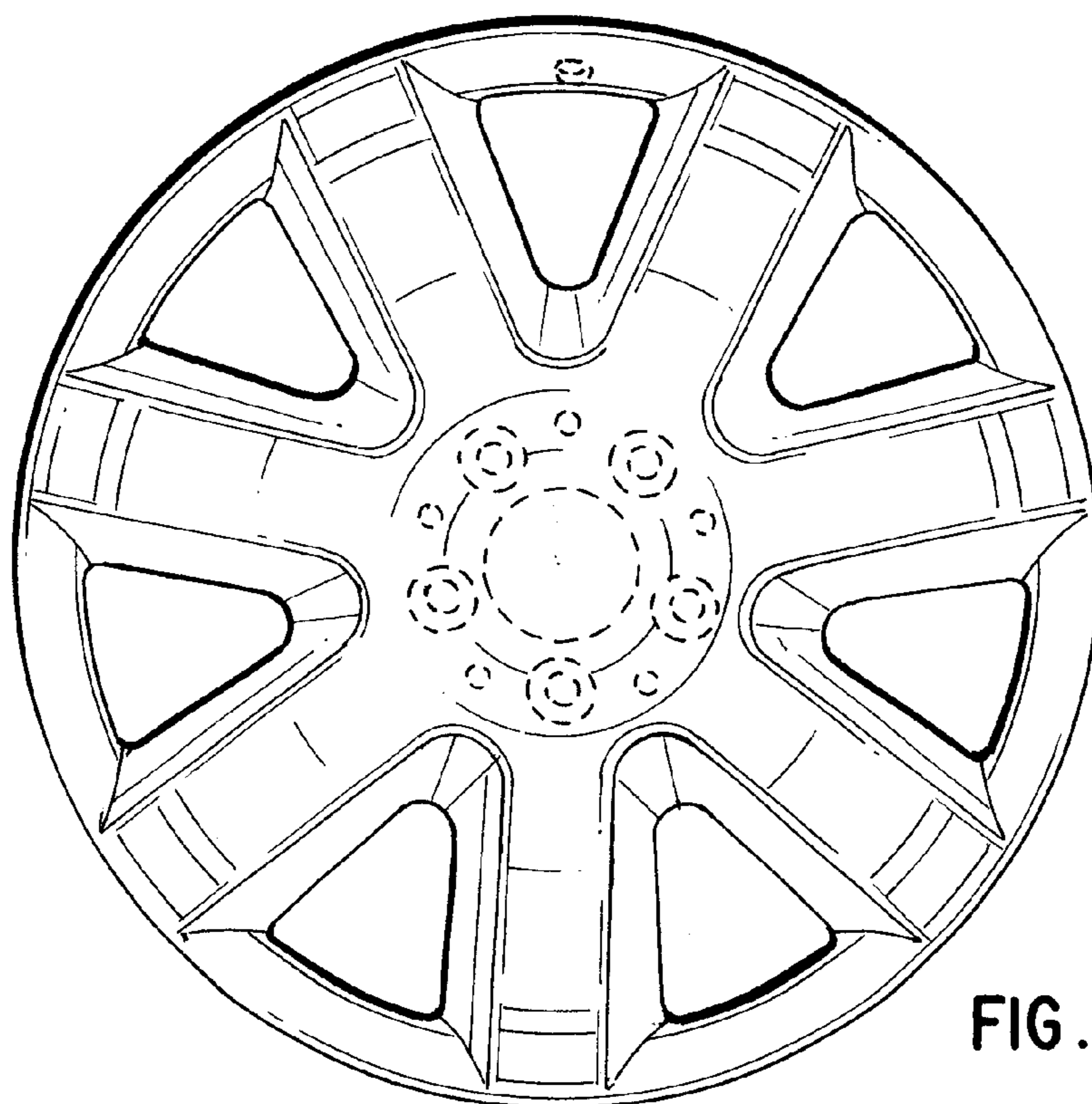


FIG. 2

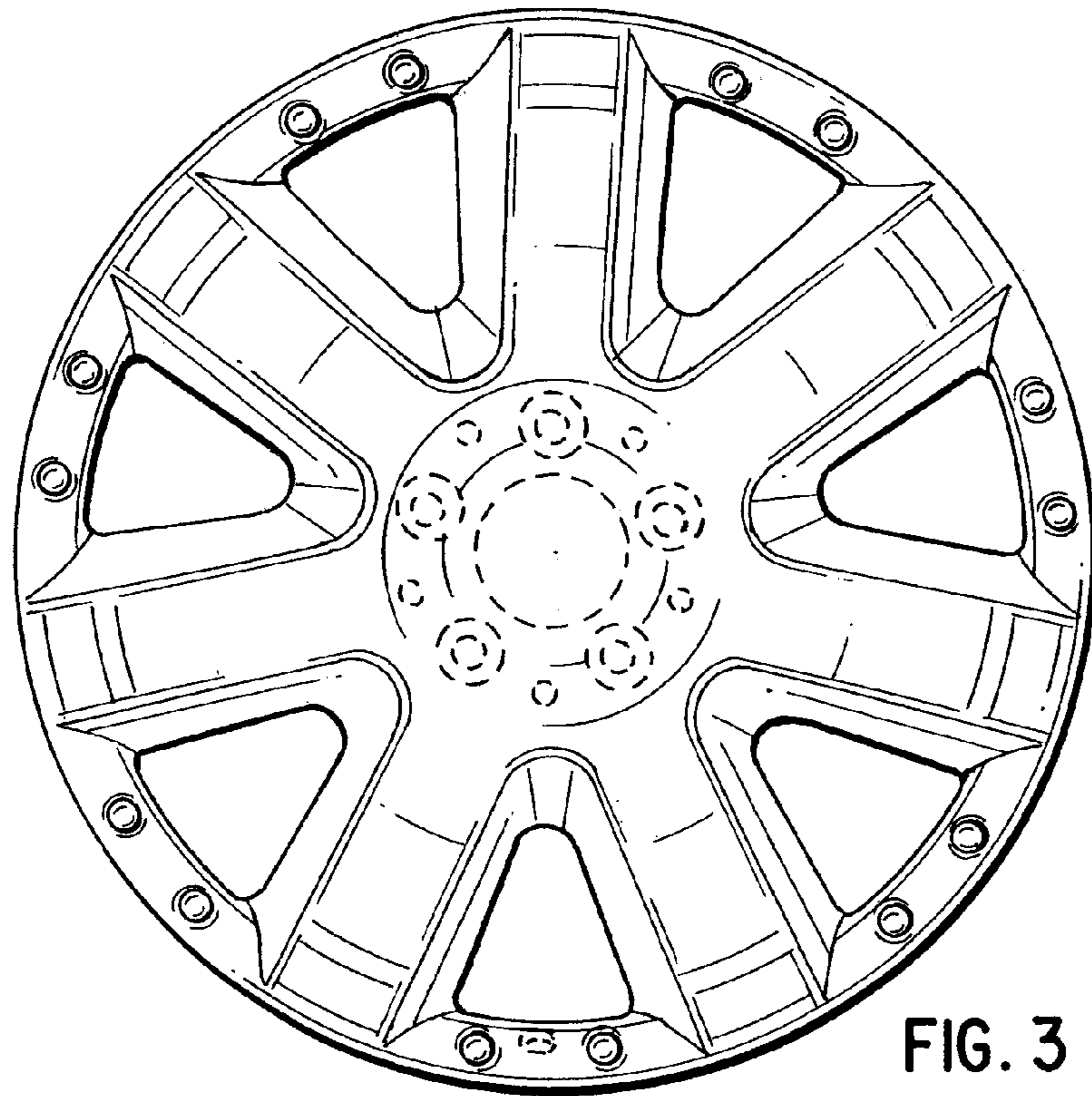


FIG. 3

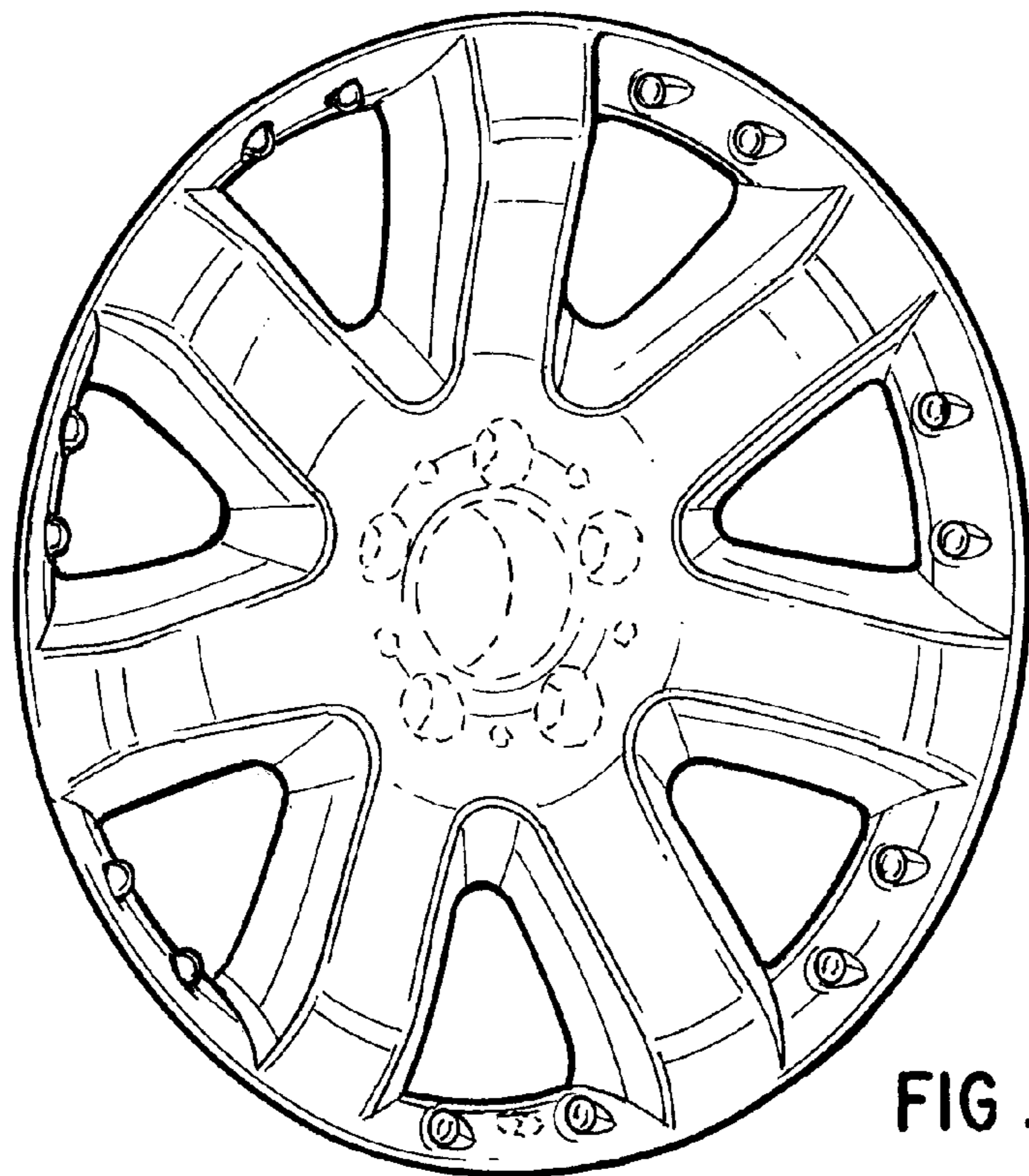


FIG. 4