



US00D523381S

(12) **United States Design Patent**  
**Taguchi et al.**

(10) **Patent No.:** **US D523,381 S**

(45) **Date of Patent:** **\*\* Jun. 20, 2006**

(54) **RADIATOR GRILLE FOR VEHICLE**

(75) Inventors: **Masato Taguchi**, Atsugi (JP); **Masato Takahashi**, Atsugi (JP)

(73) Assignee: **Nissan Motor Co., Ltd.**, Yokohama (JP)

(\*\*) Term: **14 Years**

(21) Appl. No.: **29/216,891**

(22) Filed: **Nov. 10, 2004**

(51) **LOC (8) Cl.** ..... **12-16**

(52) **U.S. Cl.** ..... **D12/163**

(58) **Field of Classification Search** ..... D12/163,  
D12/171, 90-92, 216, 169, 196; 180/68.1,  
180/68.6; 296/194

See application file for complete search history.

(56) **References Cited**

**U.S. PATENT DOCUMENTS**

- D293,230 S \* 12/1987 Kawaoka ..... D12/163
- D411,154 S \* 6/1999 Bangle ..... D12/163
- D447,100 S \* 8/2001 An ..... D12/163
- D452,837 S \* 1/2002 Kitamura et al. .... D12/163
- D480,996 S \* 10/2003 Takei ..... D12/163
- D491,117 S \* 6/2004 Hayashi ..... D12/163

- D491,495 S \* 6/2004 Metros et al. .... D12/163
- D492,226 S \* 6/2004 Kato ..... D12/163
- D495,979 S \* 9/2004 Metros et al. .... D12/163
- D500,461 S 1/2005 Noguchi et al.

\* cited by examiner

*Primary Examiner*—Melody N. Brown

(74) *Attorney, Agent, or Firm*—Foley & Lardner LLP

(57) **CLAIM**

The ornamental design for a radiator grille for vehicle, as shown and described.

**DESCRIPTION**

FIG. 1 is a perspective view of a radiator grille for vehicle; FIG. 2 is a front view thereof; FIG. 3 is a rear view thereof; FIG. 4 is a top plan view thereof; FIG. 5 is a bottom view thereof; and, FIG. 6 is a left side view thereof, and the right side view being a mirror view of the left side view.

The broken lines shown in the views are for illustrative purpose only and form no part of the claimed design. The lines consisting of long lines and dots indicate the conceptual border lines between the claimed portion and the remaining portion.

**1 Claim, 2 Drawing Sheets**

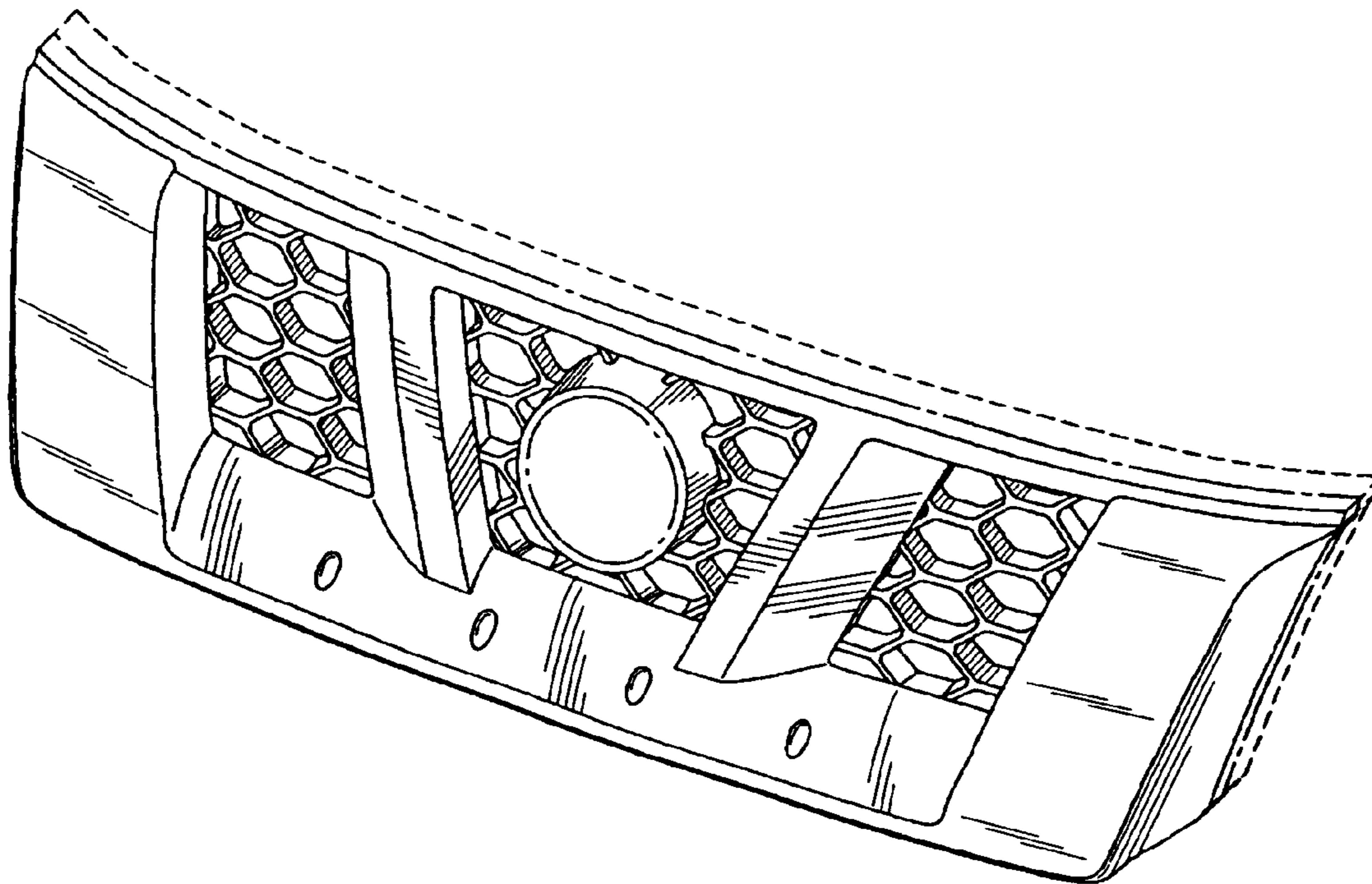


Fig.1

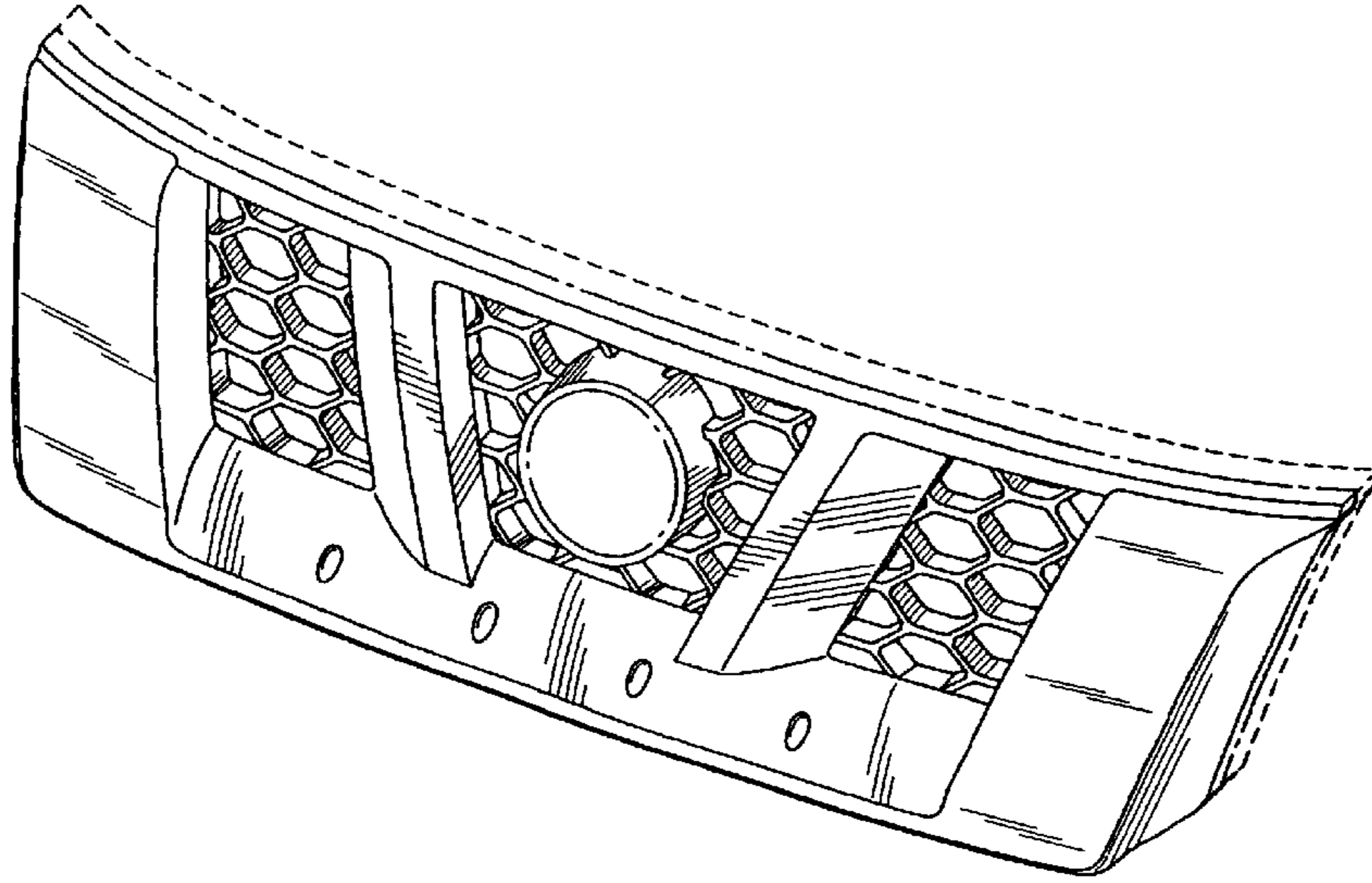


Fig.2

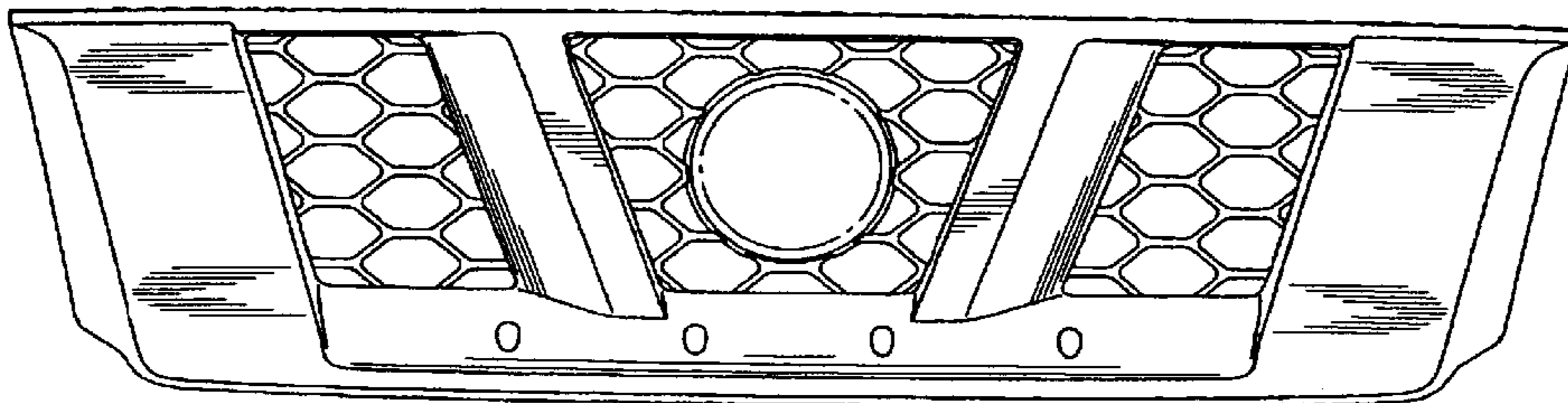


Fig.3

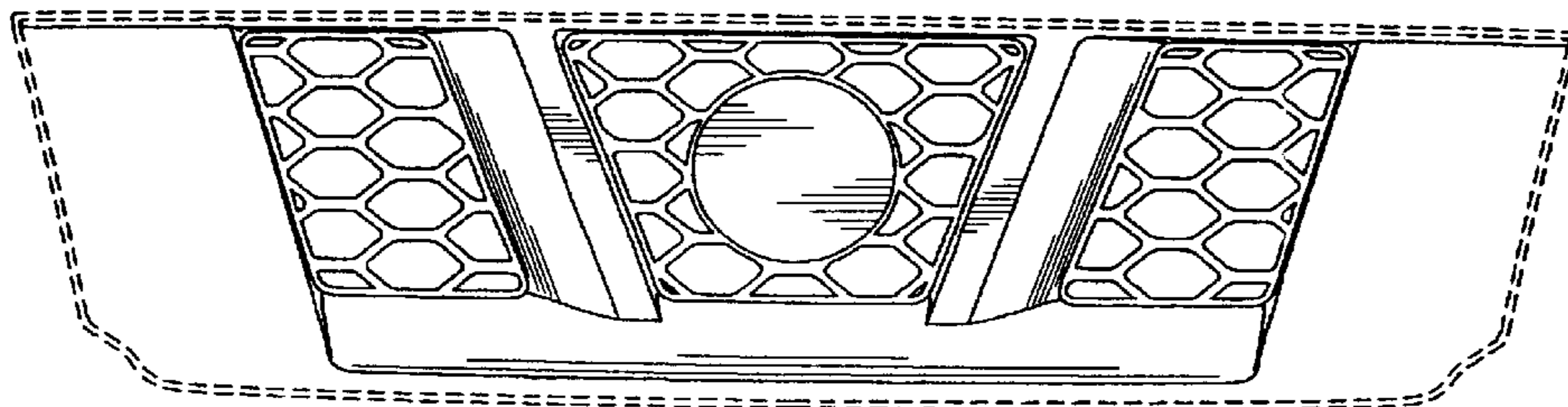


Fig.4

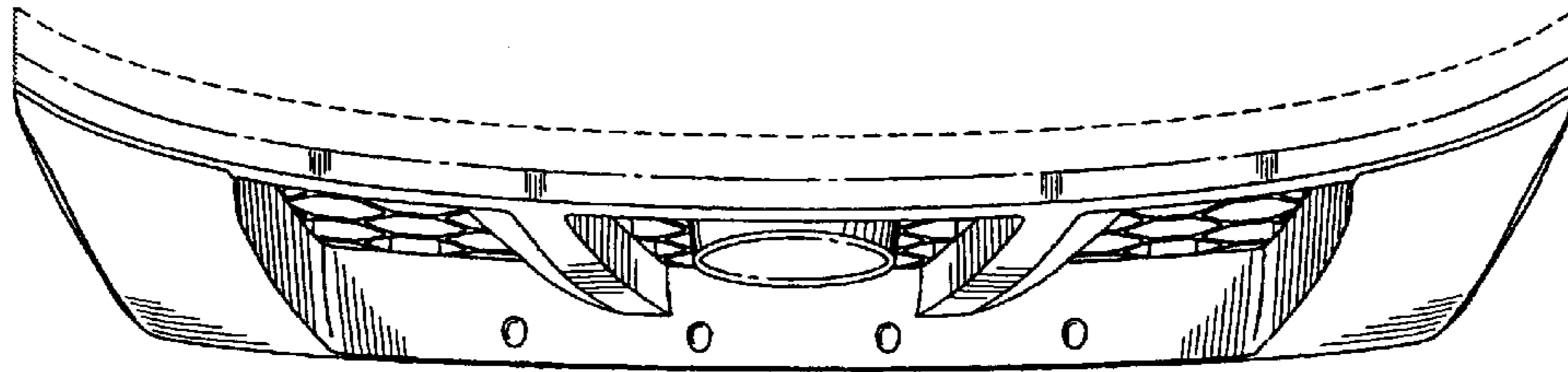


Fig.5

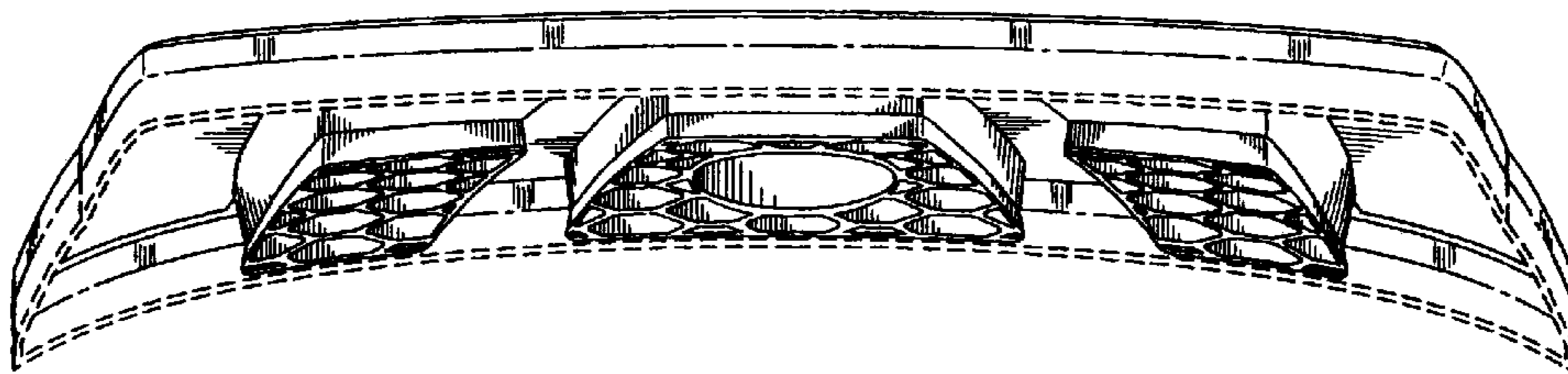


Fig.6

