

US00D523375S

(12) **United States Design Patent**
Nezu

(10) **Patent No.:** **US D523,375 S**
(45) **Date of Patent:** **** Jun. 20, 2006**

- (54) **BUCKLE**
- (75) Inventor: **Mikio Nezu**, Suita (JP)
- (73) Assignee: **Nifco Inc.**, Yokohama (JP)
- (**) Term: **14 Years**
- (21) Appl. No.: **29/231,791**
- (22) Filed: **Jun. 10, 2005**
- (30) **Foreign Application Priority Data**
Dec. 14, 2004 (JP) 2004-038179
- (51) **LOC (8) Cl.** **02-07**
- (52) **U.S. Cl.** **D11/216**
- (58) **Field of Classification Search** D11/200,
D11/201, 208-210, 212-218, 220, 230-234,
D11/237, 86-87, 94; 63/15.2, 15; 24/307,
24/625, 616, 200, 196, 171, 169, 112
See application file for complete search history.

- 5,113,556 A * 5/1992 Murai et al. 24/633
- D385,826 S * 11/1997 Anscher D11/216
- 5,855,057 A * 1/1999 Anscher 24/614
- D426,791 S * 6/2000 Nezu D11/218

* cited by examiner

Primary Examiner—Ralf Seifert
(74) *Attorney, Agent, or Firm*—Manabu Kanesaka

(57) **CLAIM**

The ornamental design for a buckle, as shown and described.

DESCRIPTION

FIG. 1 is a front view of a buckle showing my new design;
 FIG. 2 is a rear view thereof;
 FIG. 3 is a plan view thereof;
 FIG. 4 is a bottom view thereof;
 FIG. 5 is a right side view thereof, a left side view being symmetrical to the right side view;
 FIG. 6 is a sectional view thereof taken along line 6—6 in FIG. 1;
 FIG. 7 is a front view of a male member of the buckle;
 FIG. 8 is a rear view of the male member of the buckle; and,
 FIG. 9 is a bottom view of the male member of the buckle.

(56) **References Cited**

U.S. PATENT DOCUMENTS

- D289,622 S * 5/1987 Crowle et al. D11/216
- 4,825,515 A * 5/1989 Wolterstorff, Jr. 24/625

1 Claim, 4 Drawing Sheets

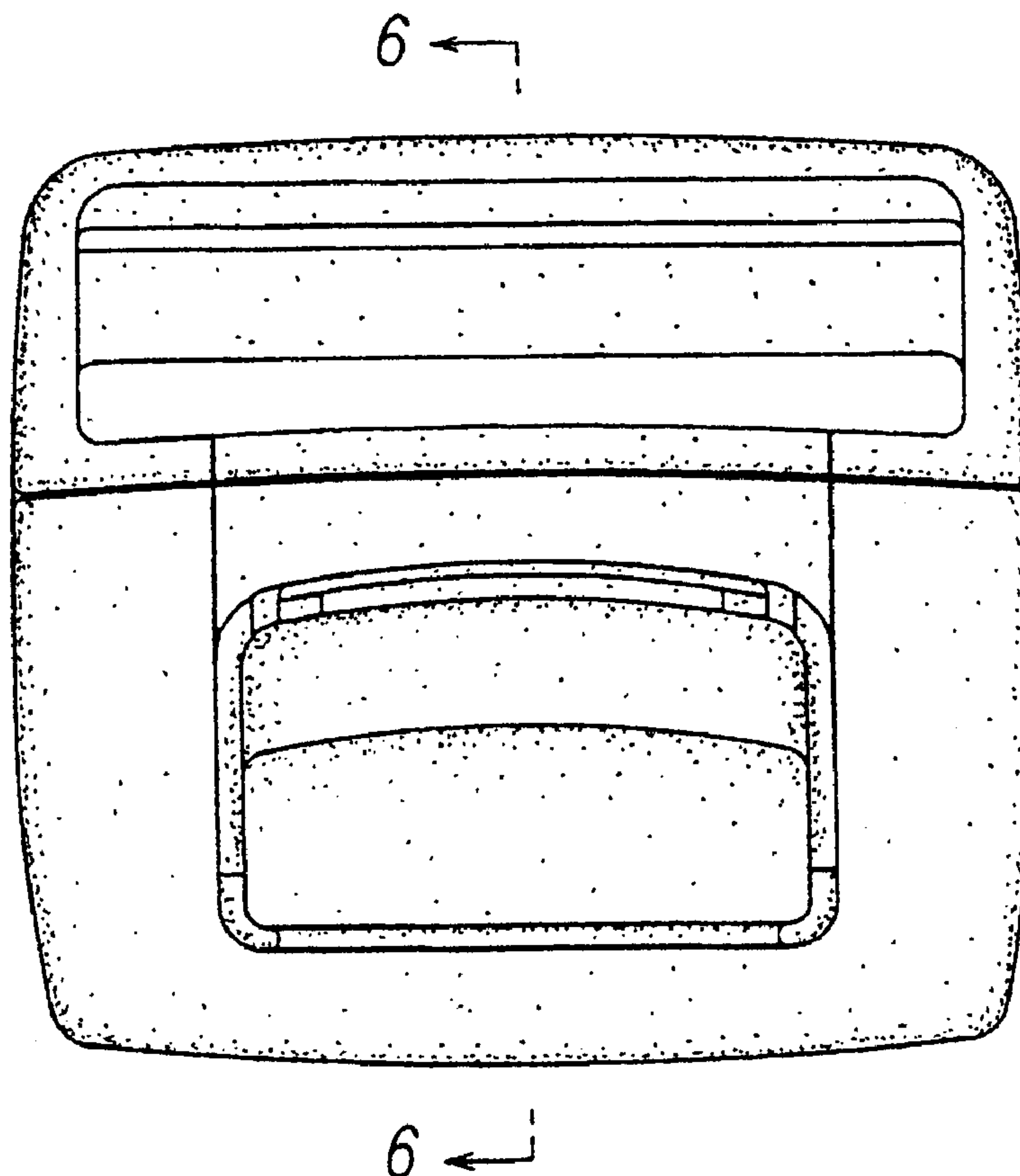


Fig. 1

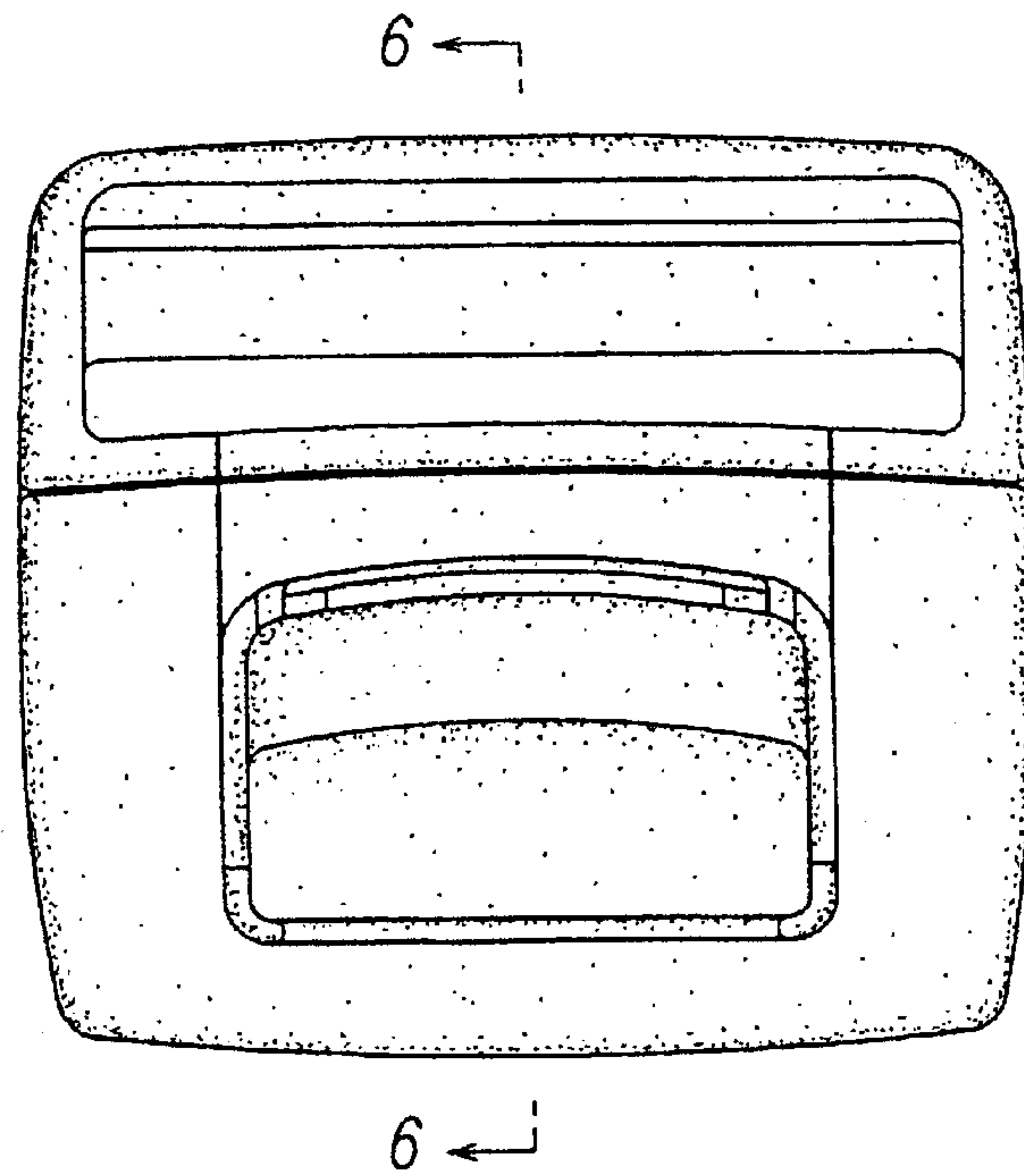


Fig. 2

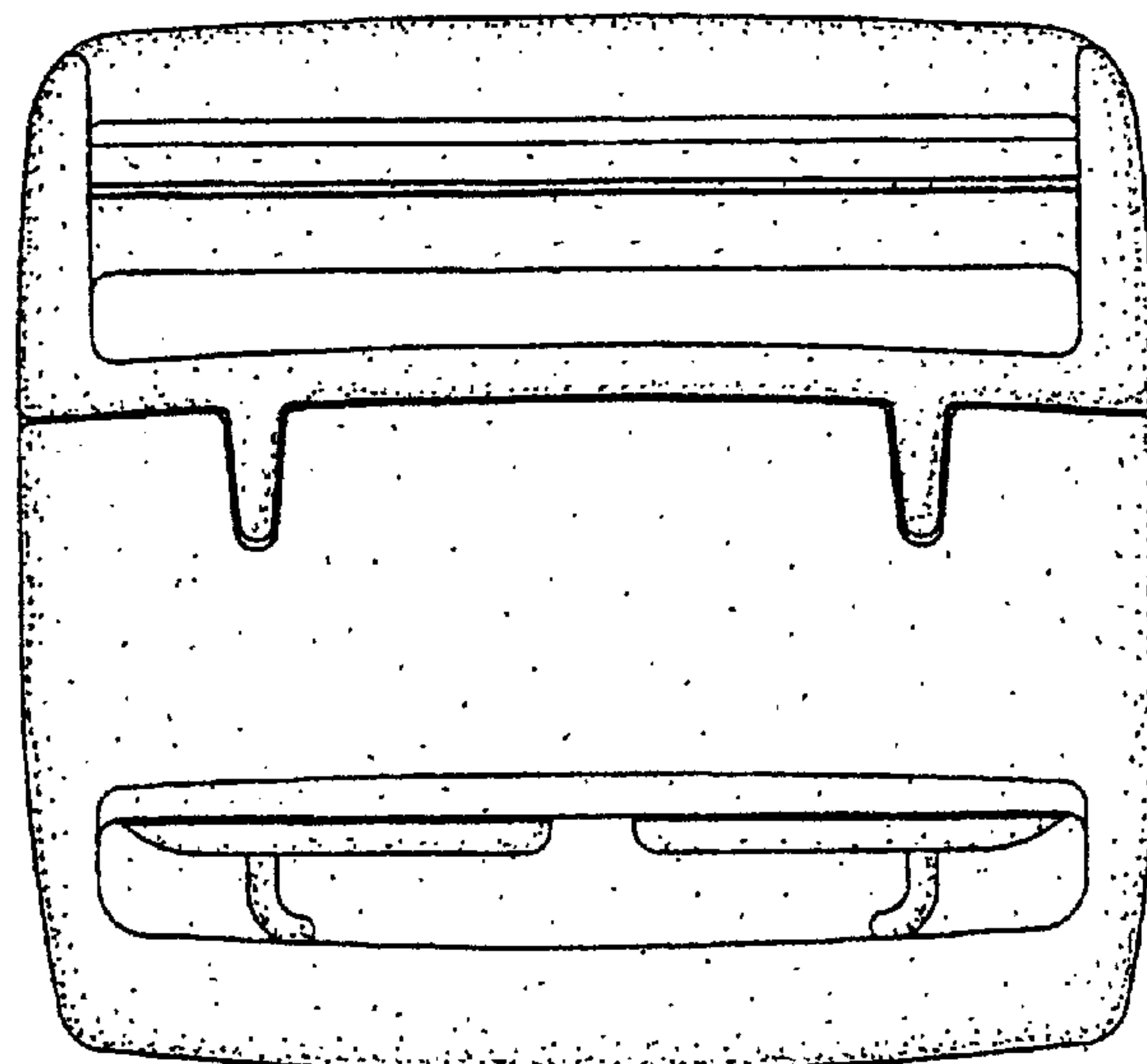


Fig. 3

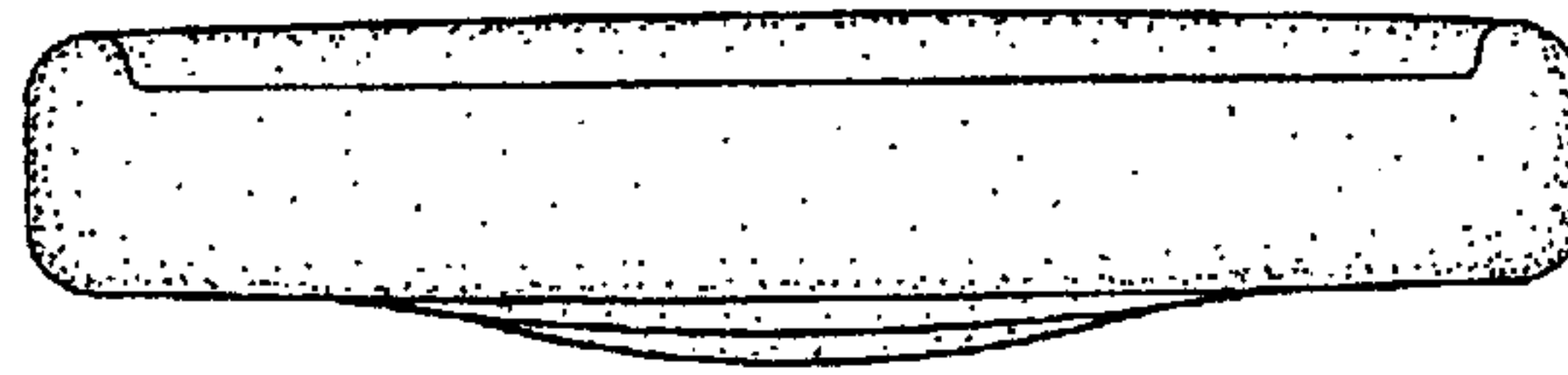


Fig. 4

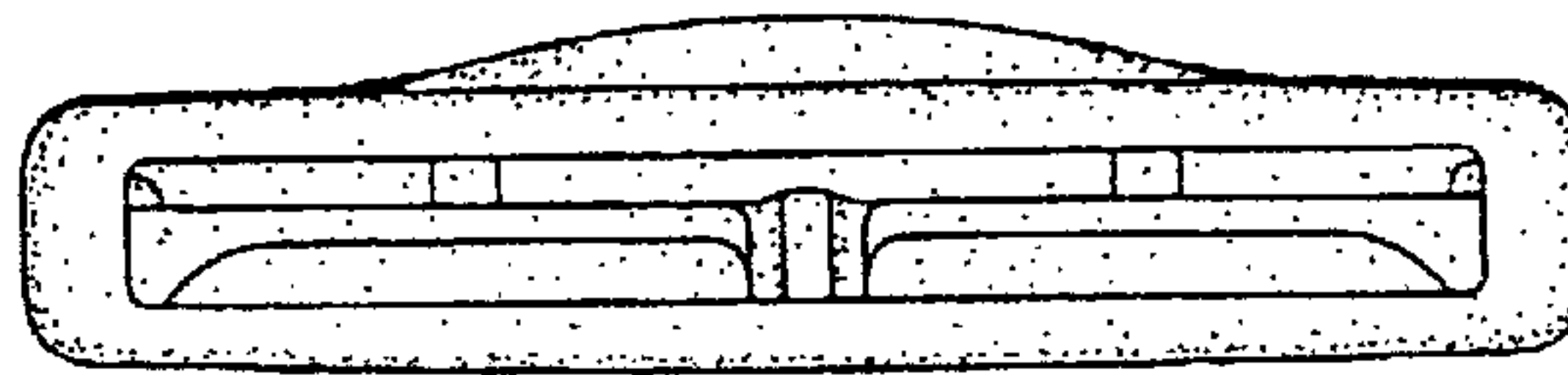


Fig. 5

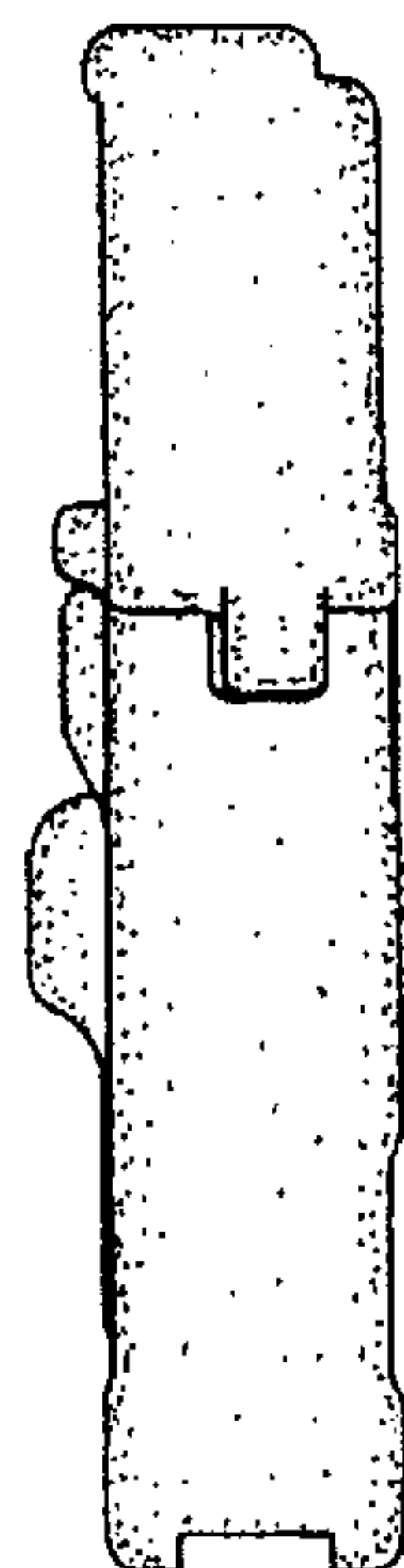


Fig. 6

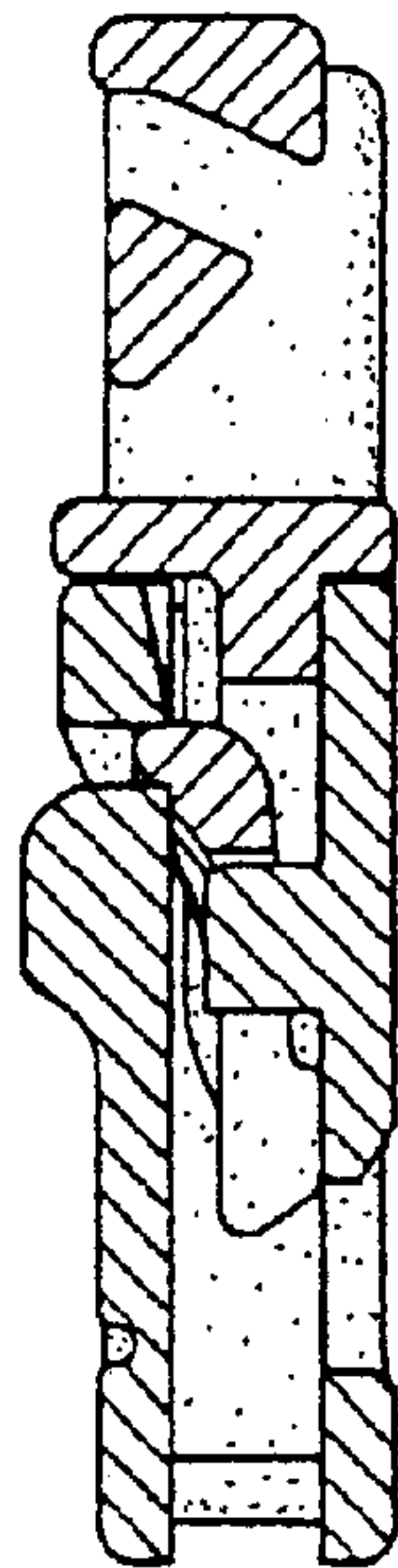


Fig. 7

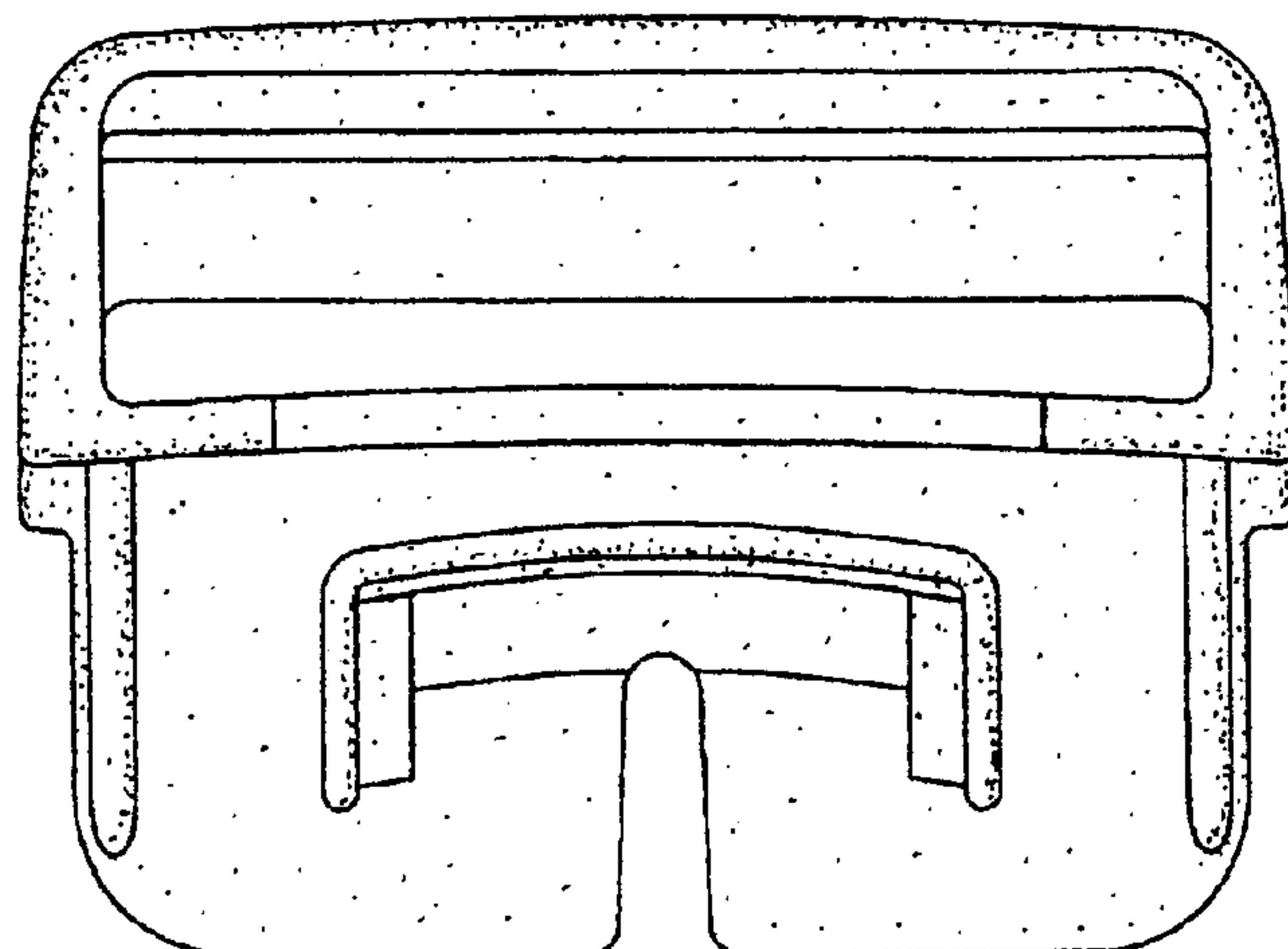


Fig. 8

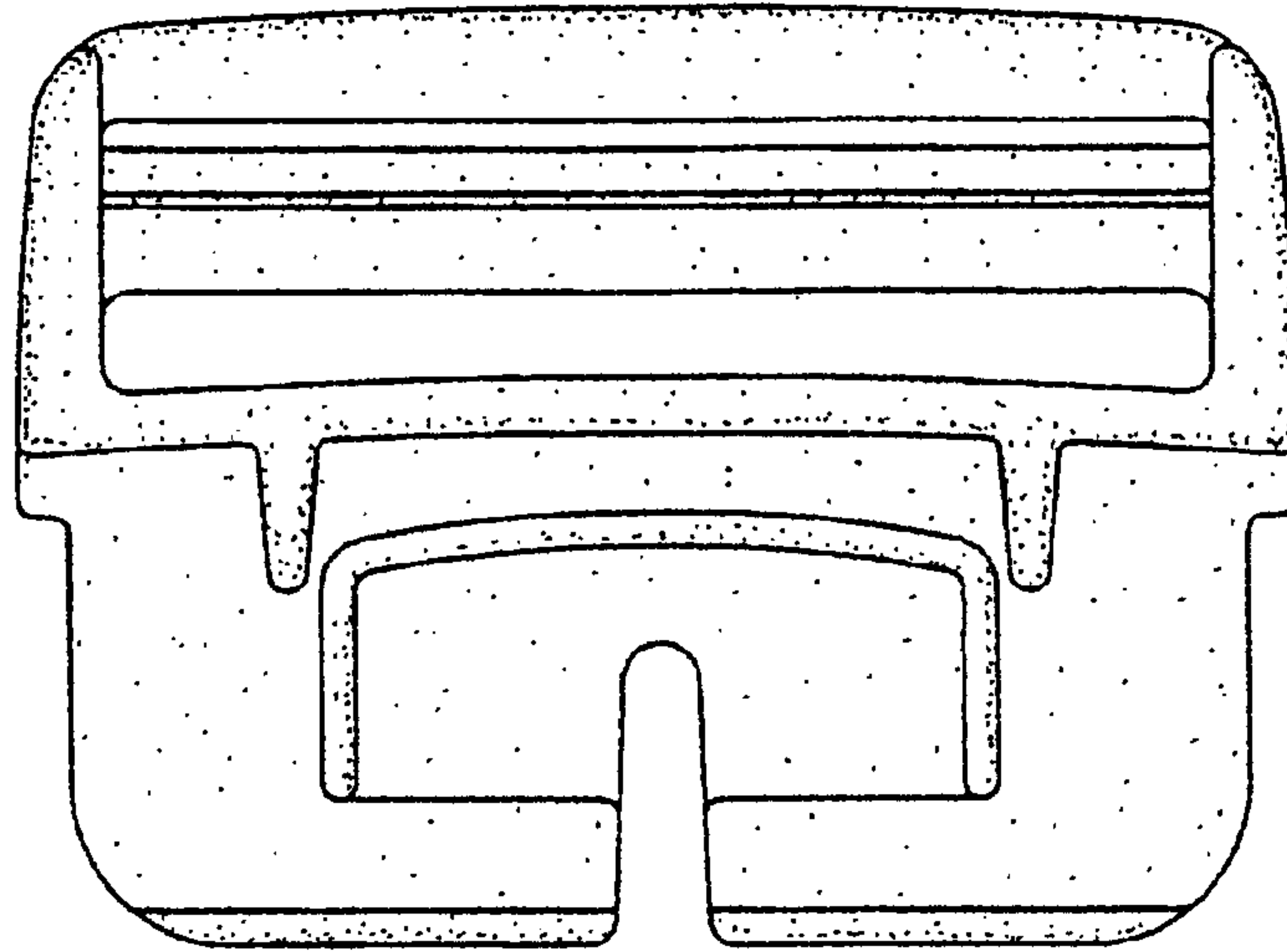


Fig. 9

