

US00D523368S

(12) **United States Design Patent**
Hoelzel et al.

(10) **Patent No.: US D523,368 S**
(45) **Date of Patent: ** Jun. 20, 2006**

(54) **SURFACE CONFIGURATION OF AN INSTRUMENT DISPLAY PANEL FOR A VEHICLE**

(75) Inventors: **Guenter Hoelzel**, Hochdorf (DE); **Peter Pfeiffer**, Boeblingen (DE); **Stephen Mattin**, Sindelfingen (DE); **Verena Kloos**, Como (IT); **Michele Jauch-Paganetti**, Bellinzona (CH)

(73) Assignee: **DaimlerChrysler AG**, Stuttgart (DE)

(**) Term: **14 Years**

(21) Appl. No.: **29/233,216**

(22) Filed: **Jun. 30, 2005**

Related U.S. Application Data

(62) Division of application No. 29/203,001, filed on Apr. 8, 2004, now Pat. No. Des. 514,969.

(51) **LOC (8) Cl.** **10-04**

(52) **U.S. Cl.** **D10/103**

(58) **Field of Classification Search** 180/90;
280/750-752; 296/70

See application file for complete search history.

(56) **References Cited**

U.S. PATENT DOCUMENTS

D152,997 S * 3/1949 McCauley D12/192
D307,127 S * 4/1990 Simons et al. D12/192
6,568,345 B1 * 5/2003 Paulo 296/70
D506,425 S * 6/2005 Kraus et al. D12/192

* cited by examiner

Primary Examiner—Antoine D. Davis

(74) *Attorney, Agent, or Firm*—Crowell & Moring LLP

(57) **CLAIM**

The ornamental design for a surface configuration of an instrument display panel for a vehicle, as shown and described.

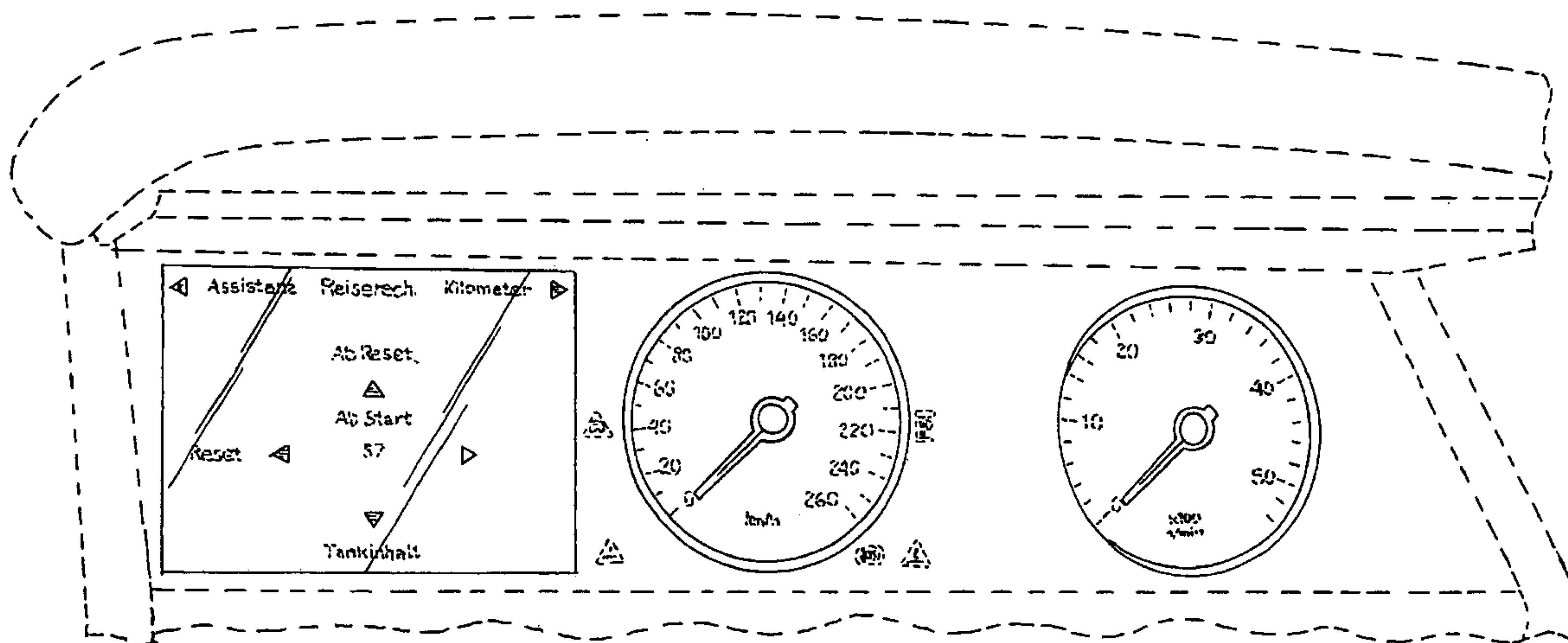
DESCRIPTION

FIG. 1 is a front view of a first embodiment of a surface configuration of an instrument display panel for a vehicle according to our novel design; and,

FIG. 2 is a front view of a second embodiment of the surface configuration of an instrument display panel for a vehicle according to our novel design.

The broken lines are for illustrative purposes only and form no part of the claimed design.

1 Claim, 2 Drawing Sheets



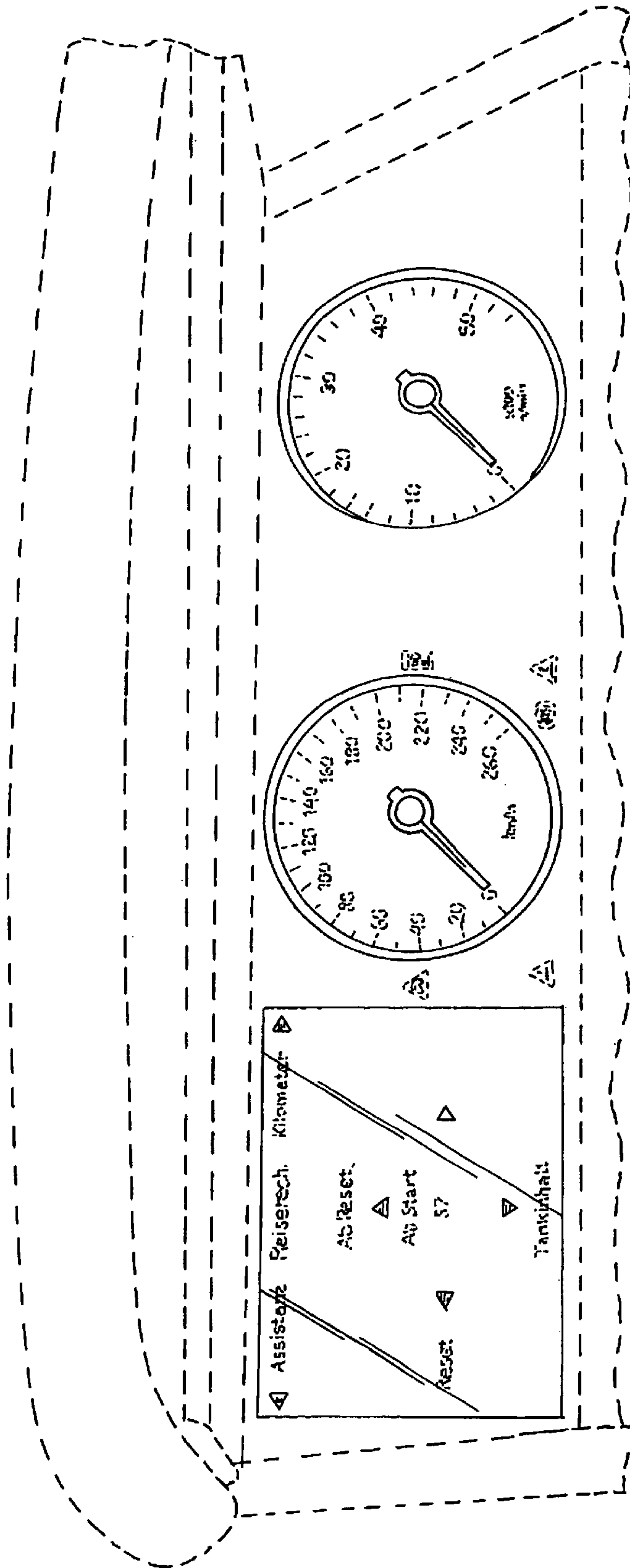


FIG. 1

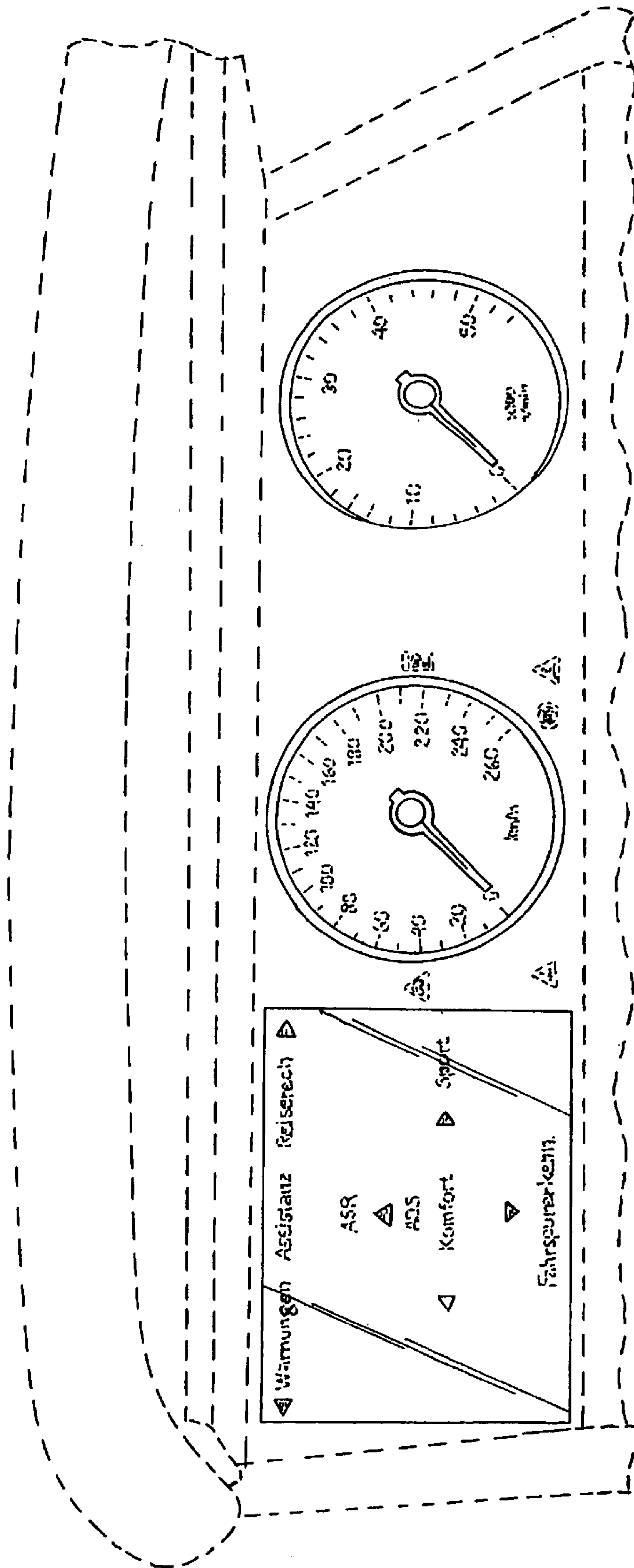


FIG. 2