

US00D523363S

(12) **United States Design Patent**  
**Wu**

(10) **Patent No.:** **US D523,363 S**  
(45) **Date of Patent:** **\*\* Jun. 20, 2006**

(54) **SELF-LEVELING LASER LEVEL**  
(75) Inventor: **Shuming Wu**, Jiangsu (CN)  
(73) Assignee: **Chanjing Chervon Industry Co., Ltd.**,  
Jiangsu (CN)  
(\*\*) Term: **14 Years**

(21) Appl. No.: **29/210,127**  
(22) Filed: **Jul. 28, 2004**

(30) **Foreign Application Priority Data**  
Feb. 5, 2004 (CN) ..... 200430016080

(51) **LOC (8) Cl.** ..... **10-04**  
(52) **U.S. Cl.** ..... **D10/69**  
(58) **Field of Classification Search** ..... D10/69;  
33/365, 366.11-366.27, 367-391  
See application file for complete search history.

(56) **References Cited**  
**U.S. PATENT DOCUMENTS**  
5,700,068 A \* 12/1997 Austin ..... 303/24.1  
D491,080 S \* 6/2004 Wu ..... D10/69

\* cited by examiner

*Primary Examiner*—Antoine D. Davis  
(74) *Attorney, Agent, or Firm*—Lowe Hauptman & Berner,  
LLP

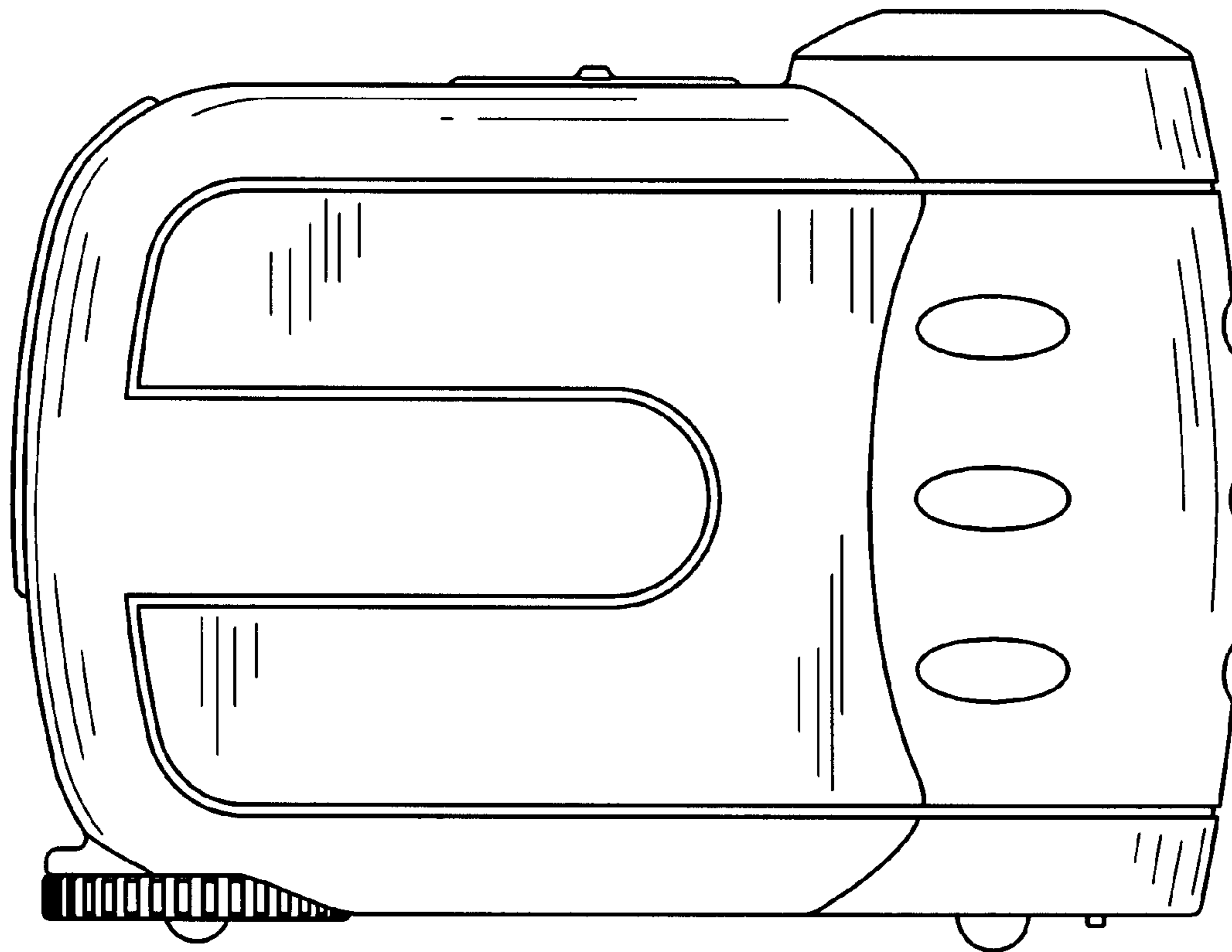
(57) **CLAIM**

The ornamental design for a self-leveling laser level, as shown and described.

**DESCRIPTION**

FIG. 1 is a front elevational view of the design;  
FIG. 2 is a rear elevational view of the self-leveling laser level in FIG. 1;  
FIG. 3 is a left side elevational view of the self-leveling laser level in FIG. 1;  
FIG. 4 is a right side elevational view of the self-leveling laser level in FIG. 1;  
FIG. 5 is a top plan view of the self-leveling laser level in FIG. 1;  
FIG. 6 is a bottom plan view of the self-leveling laser level in FIG. 1; and,  
FIG. 7 is a perspective view of the self-leveling laser level of FIG. 1.

**1 Claim, 4 Drawing Sheets**



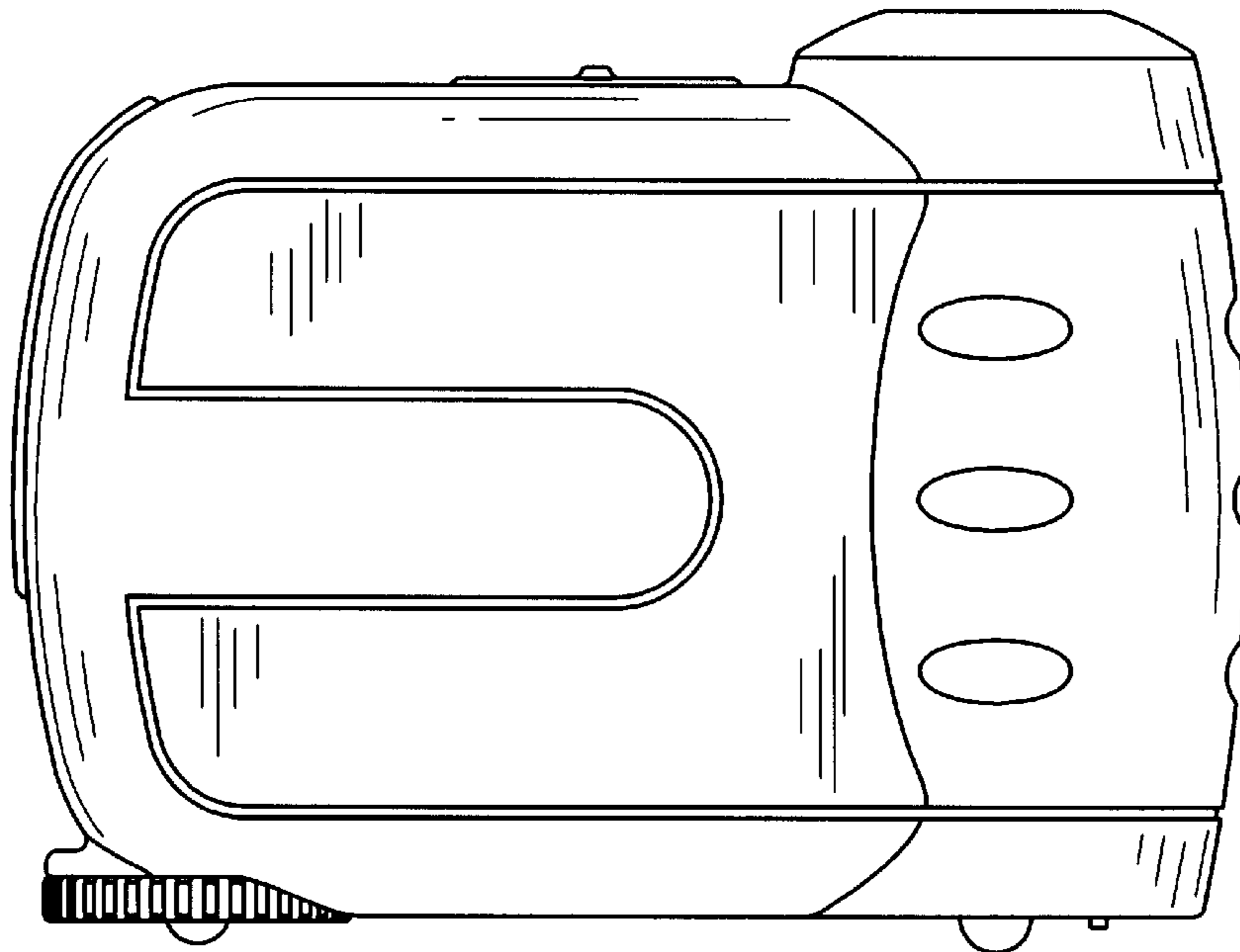


FIG 1

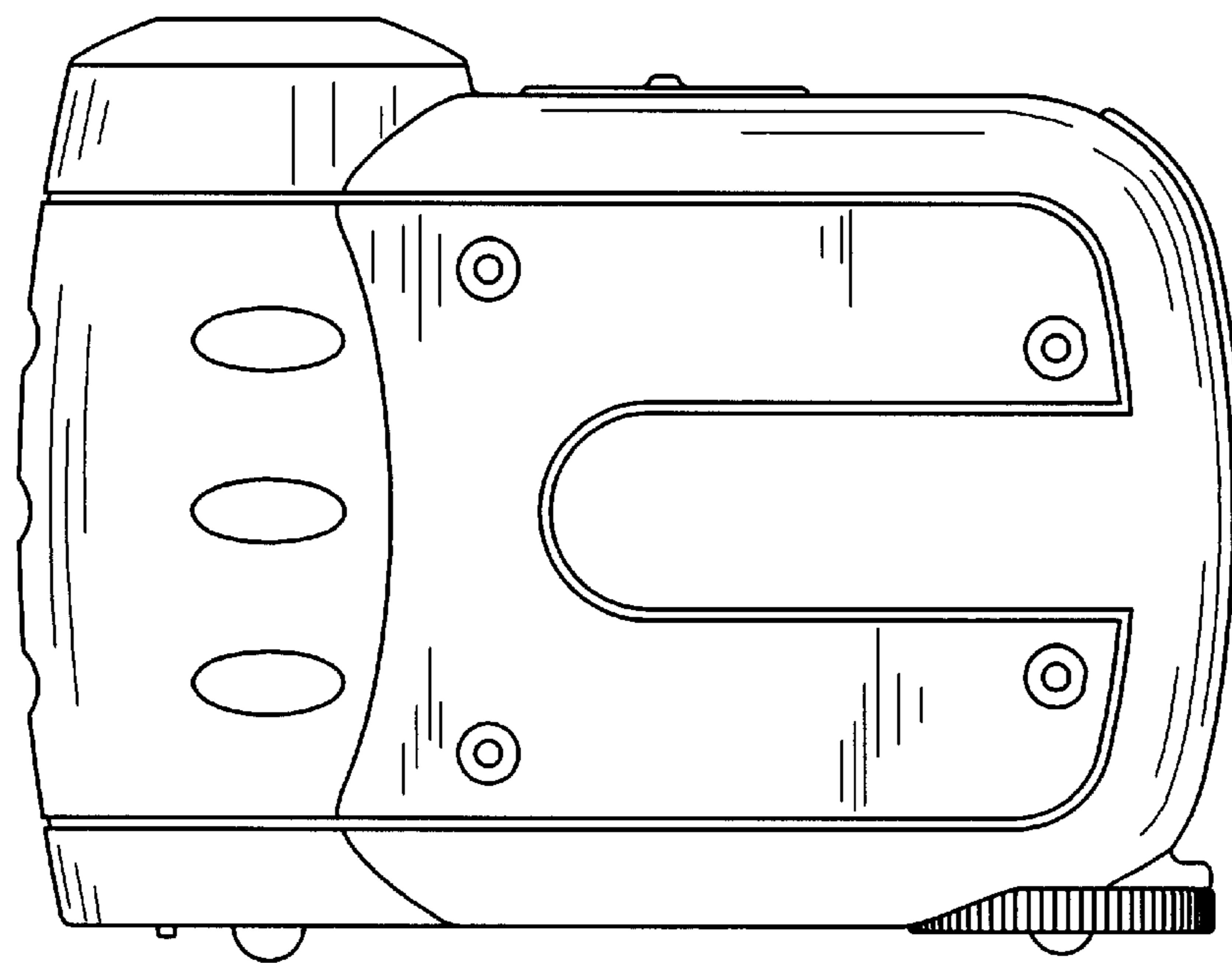


FIG 2

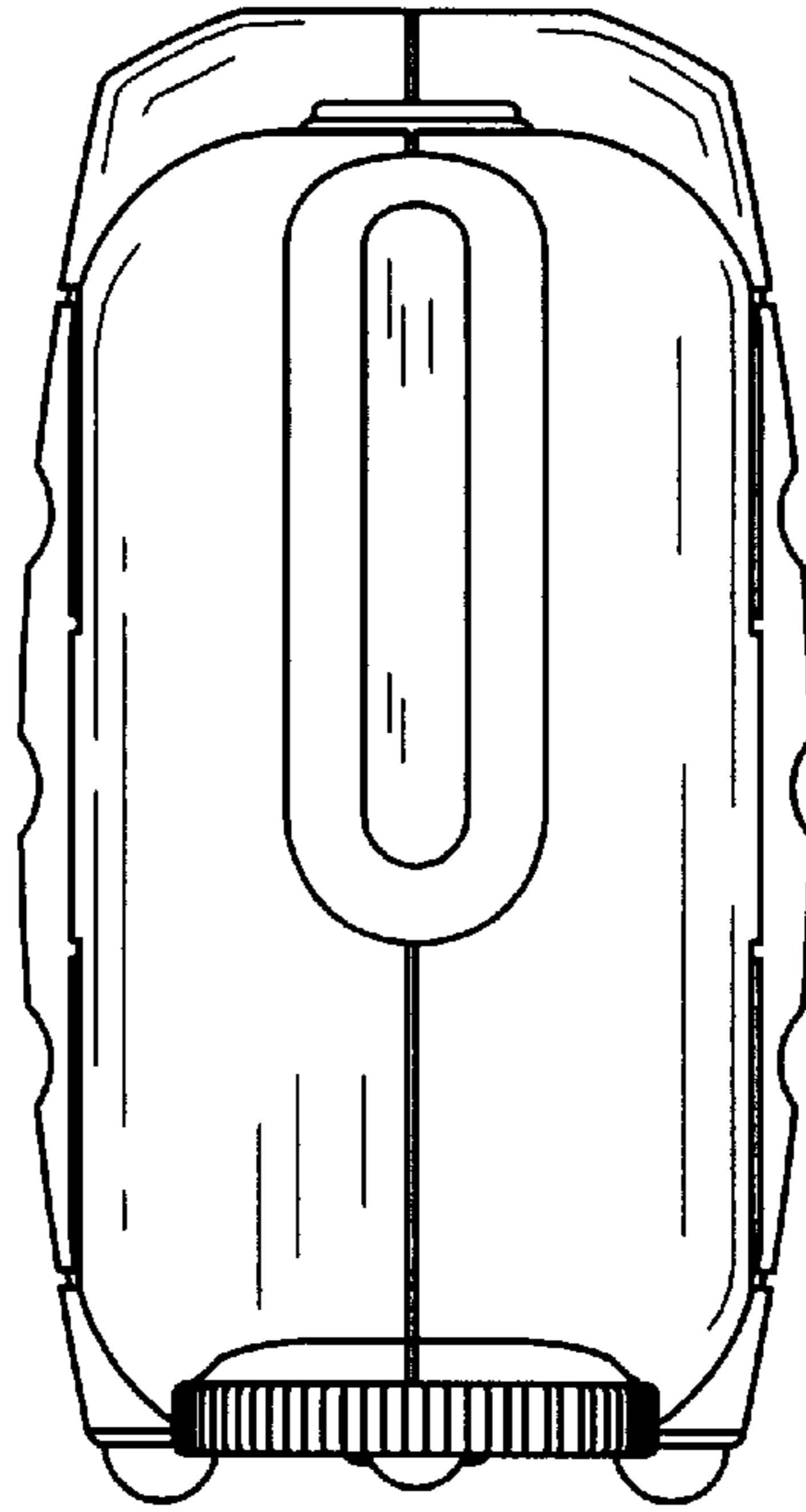


FIG 3

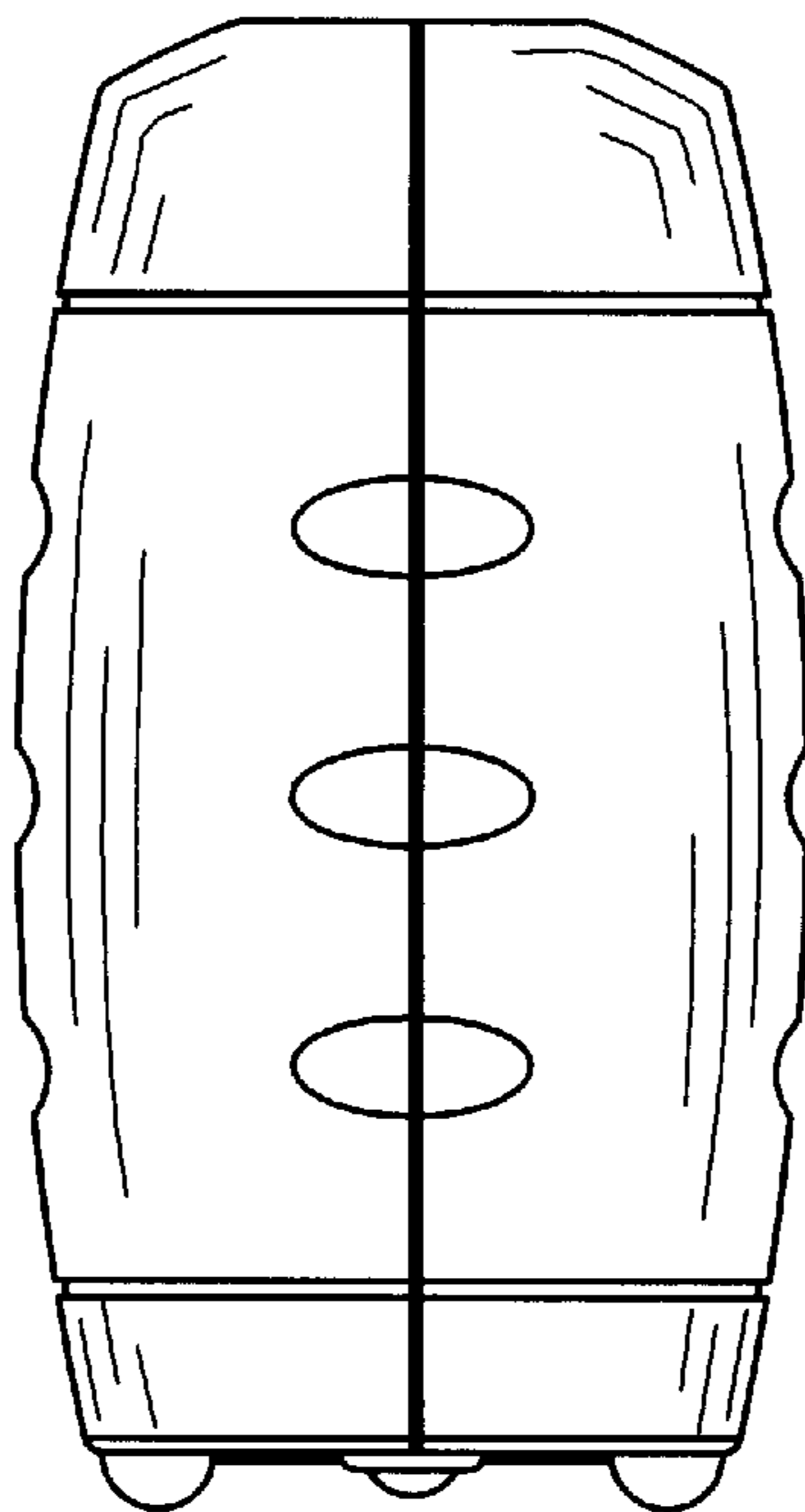


FIG 4

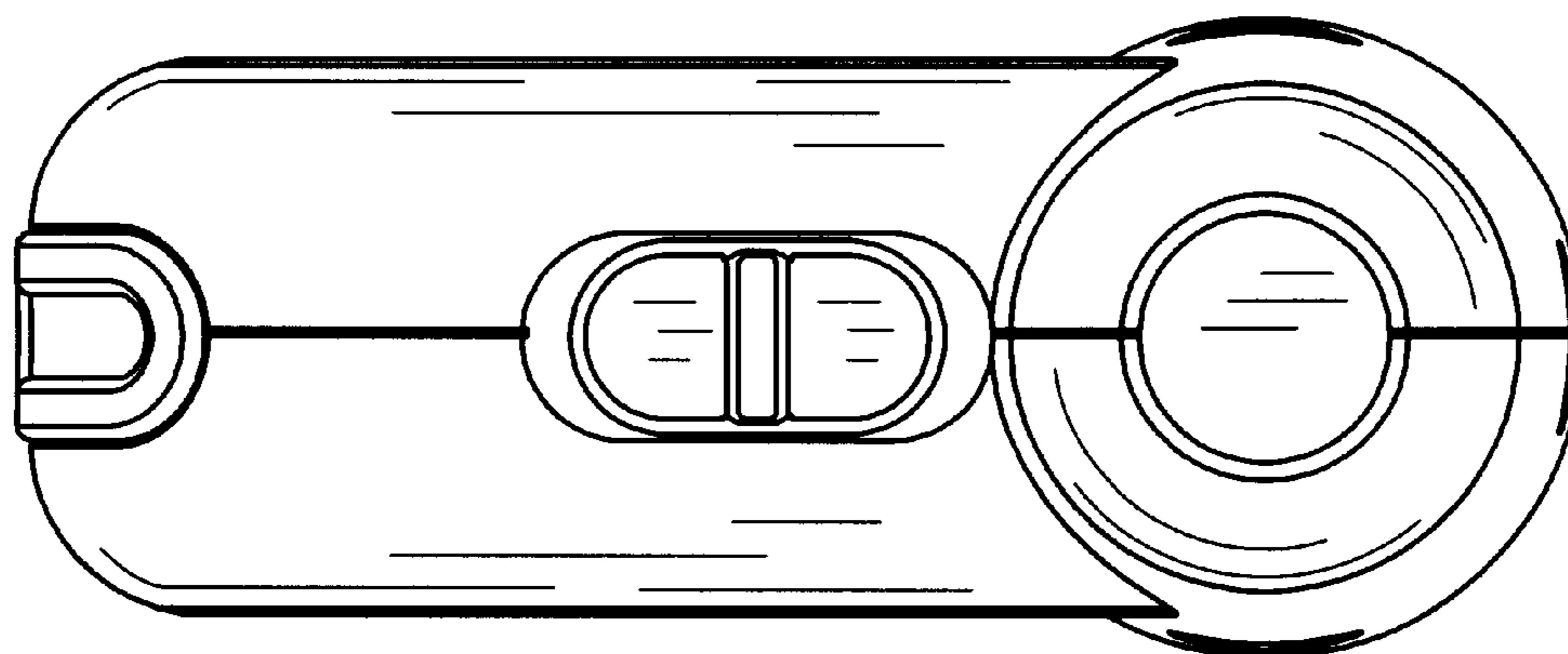


FIG 5

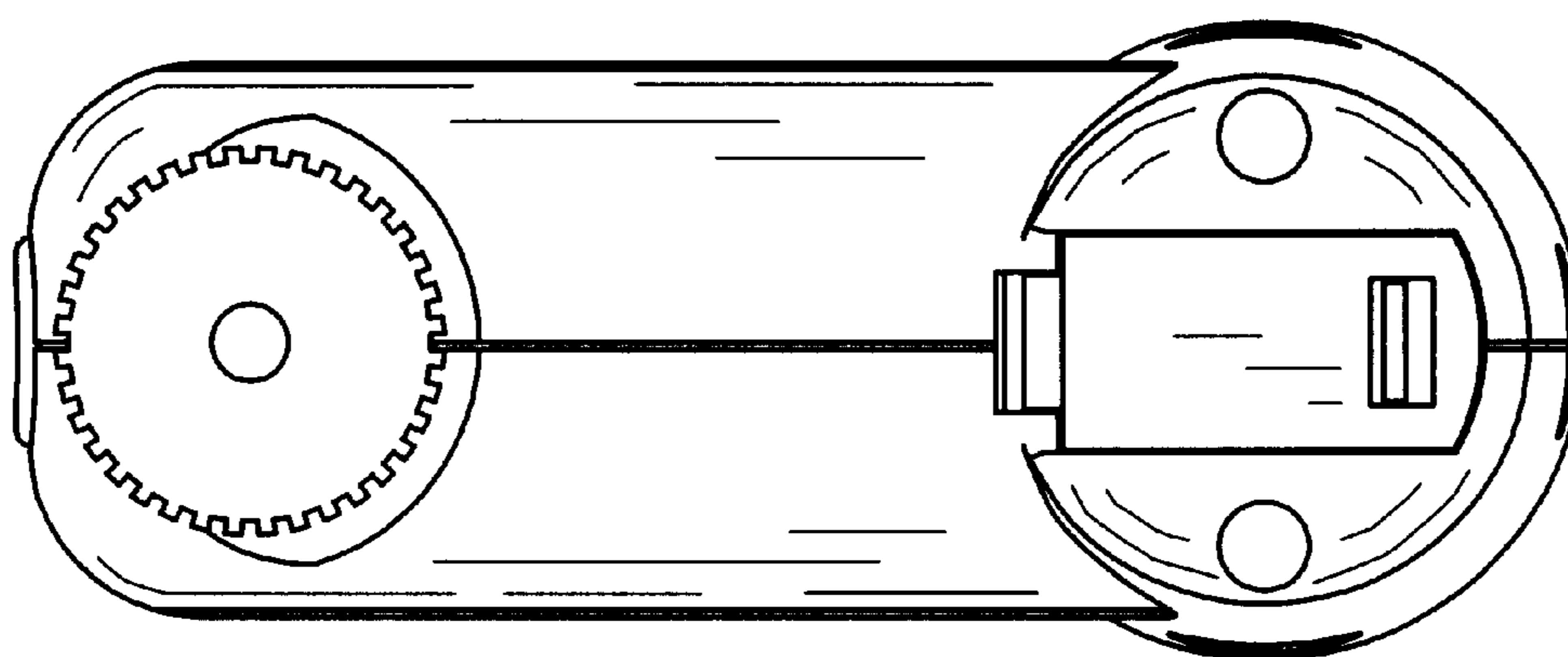


FIG 6

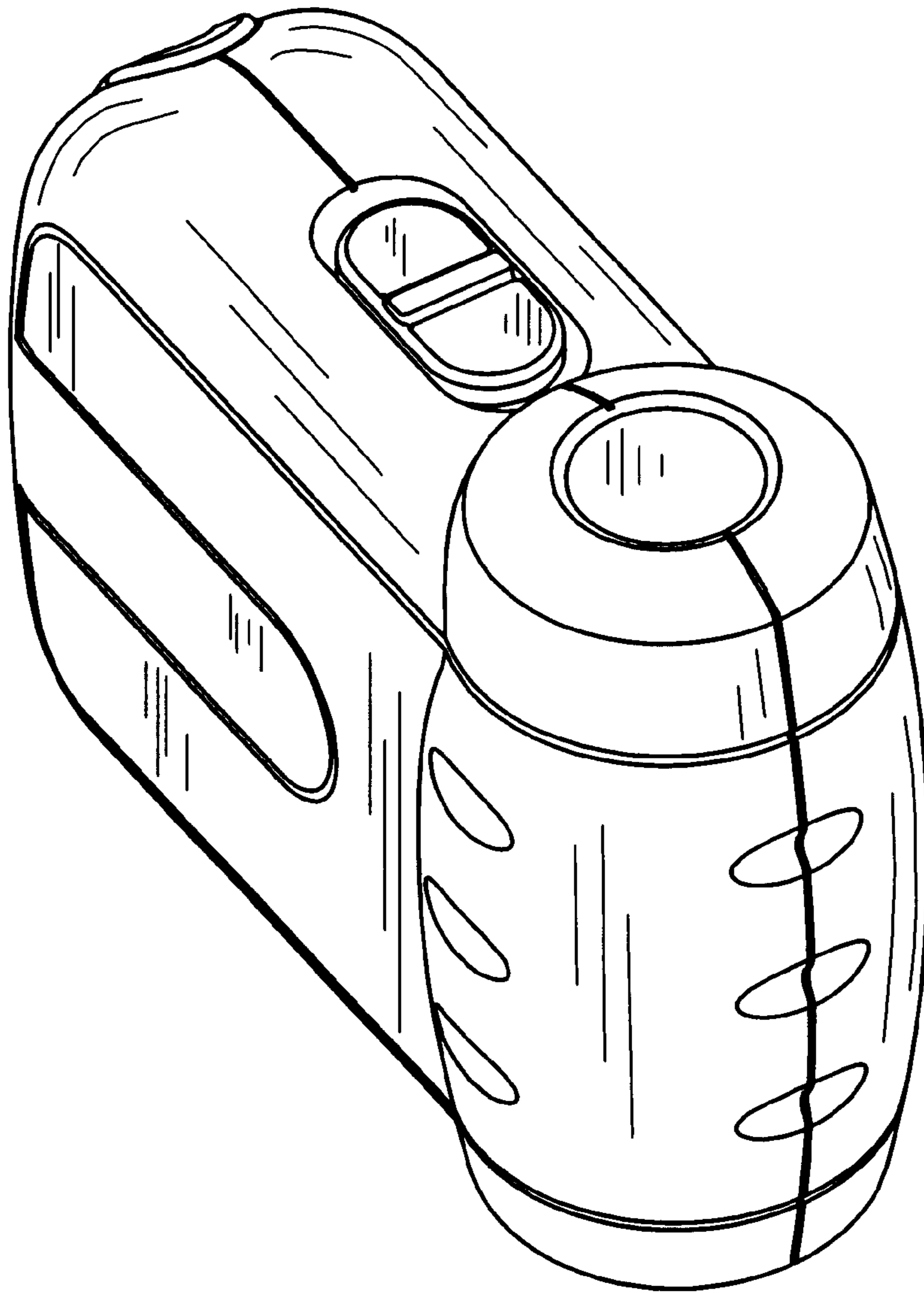


FIG 7