



US00D523361S

(12) **United States Design Patent**  
**Wu**

(10) **Patent No.:** **US D523,361 S**  
(45) **Date of Patent:** **\*\* Jun. 20, 2006**

(54) **VEHICLE GAUGE**

(76) Inventor: **Tsung Min Wu**, No. 11, Lane 181, Sec. 3, Hai-An Road, Tainan City (TW)

(\*\*) Term: **14 Years**

(21) Appl. No.: **29/221,522**

(22) Filed: **Jan. 19, 2005**

(51) **LOC (8) Cl.** ..... **10-04**

(52) **U.S. Cl.** ..... **D10/65; D10/102**

(58) **Field of Classification Search** ..... D10/65,  
D10/102, 103; 342/357.06, 357.09, 357.1,  
342/357.13; 343/702; 345/156, 158, 824;  
455/12.1, 86, 406; 700/17; 701/206-209,  
701/213-214

See application file for complete search history.

(56) **References Cited**

**U.S. PATENT DOCUMENTS**

- D456,754 S \* 5/2002 Keating ..... D12/192
- D459,667 S \* 7/2002 Kataoka ..... D10/65
- D467,512 S \* 12/2002 Miyazaki ..... D10/65
- D469,705 S \* 2/2003 Siegert et al. .... D10/65
- D475,642 S \* 6/2003 Murdock et al. .... D10/65

- D482,282 S \* 11/2003 Angeletta ..... D9/451
- 6,854,350 B1 \* 2/2005 Ayres ..... 73/866.3
- D504,337 S \* 4/2005 Price et al. .... D10/65
- D504,633 S \* 5/2005 Tyner et al. .... D10/65
- D504,838 S \* 5/2005 Tyner et al. .... D10/65
- D507,979 S \* 8/2005 Robinson et al. .... D10/65
- D510,285 S \* 10/2005 Skelton et al. .... D10/65

\* cited by examiner

*Primary Examiner*—Antoine D. Davis

(74) *Attorney, Agent, or Firm*—Rosenberg, Klein & Lee

(57) **CLAIM**

The ornamental design for a vehicle gauge, as shown and described.

**DESCRIPTION**

FIG. 1 is a perspective view of a vehicle gauge showing my design;

FIG. 2 is a left elevational view thereof;

FIG. 3 is a right elevational view thereof;

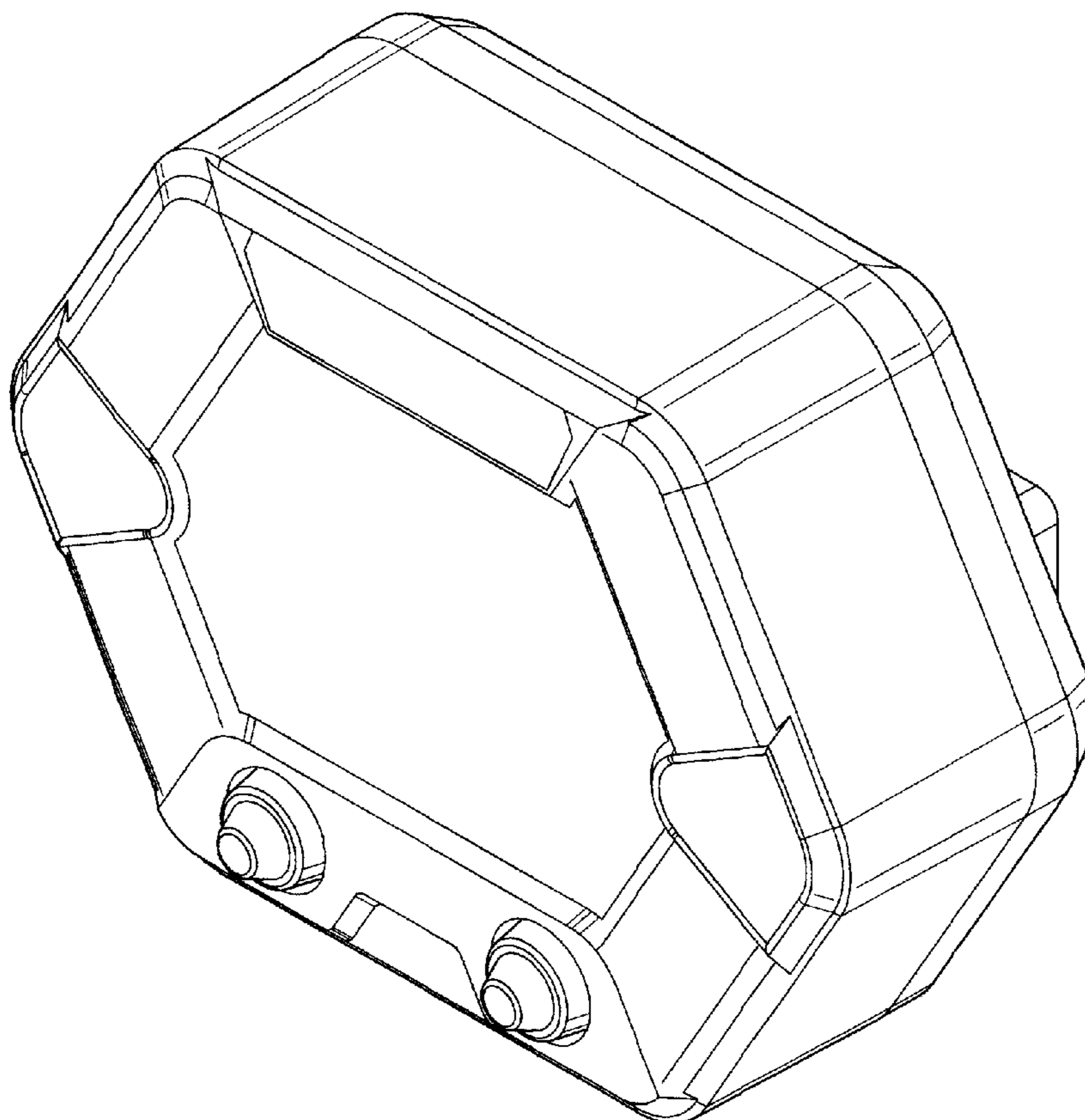
FIG. 4 is a front elevational view thereof;

FIG. 5 is a rear elevational view thereof;

FIG. 6 is a top plan view thereof; and,

FIG. 7 is a bottom plan view thereof.

**1 Claim, 7 Drawing Sheets**



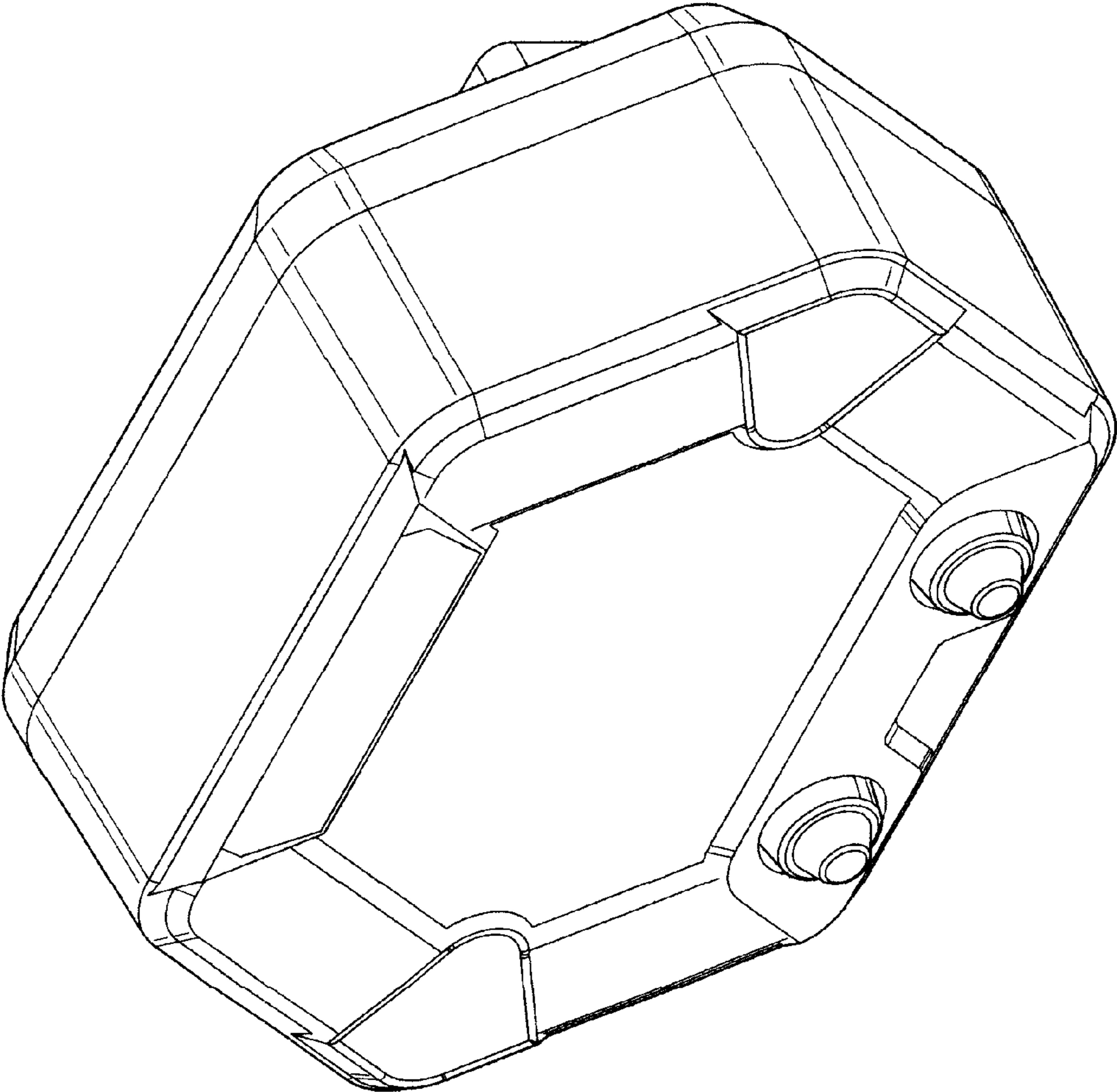


FIG 1

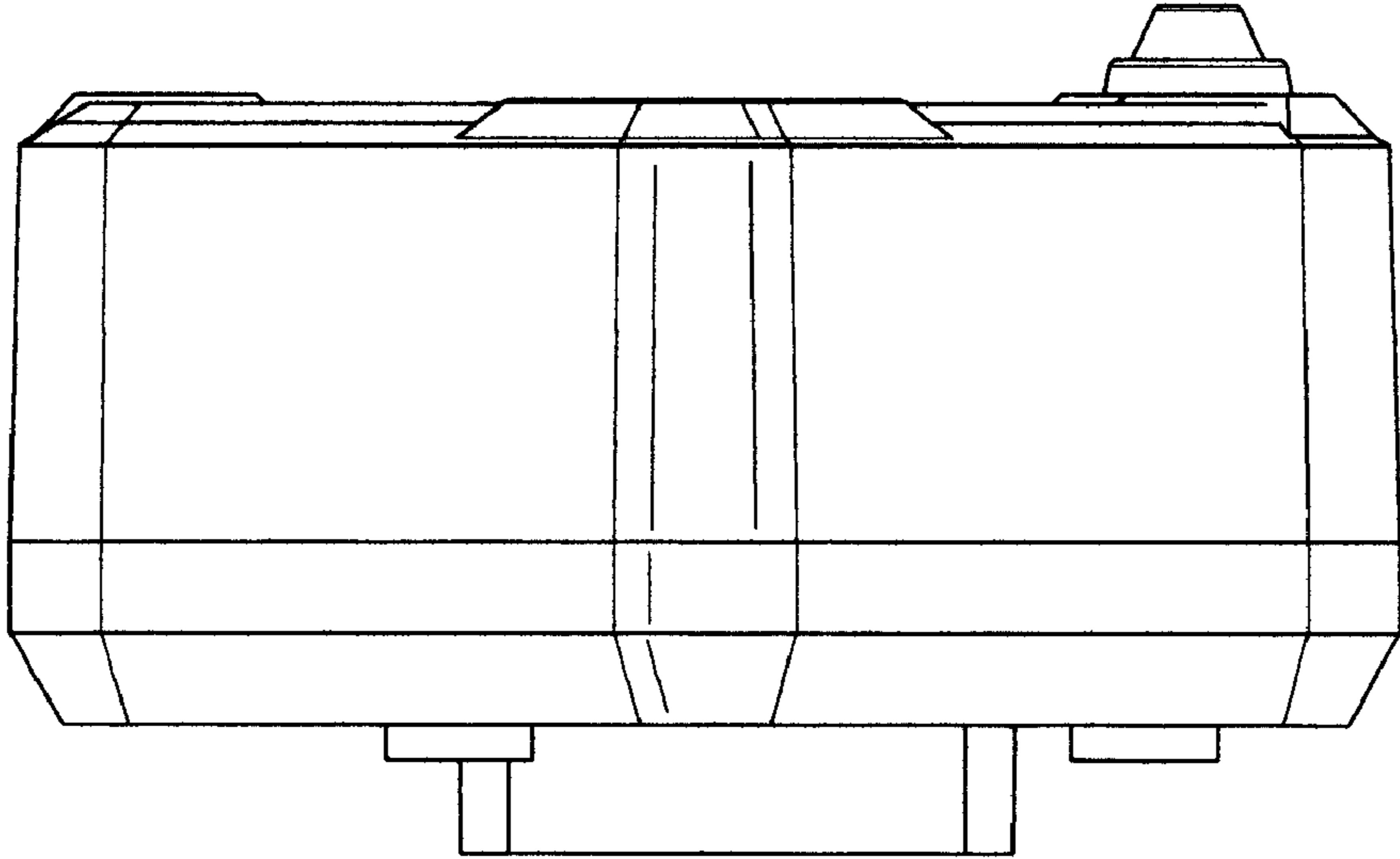


FIG 2

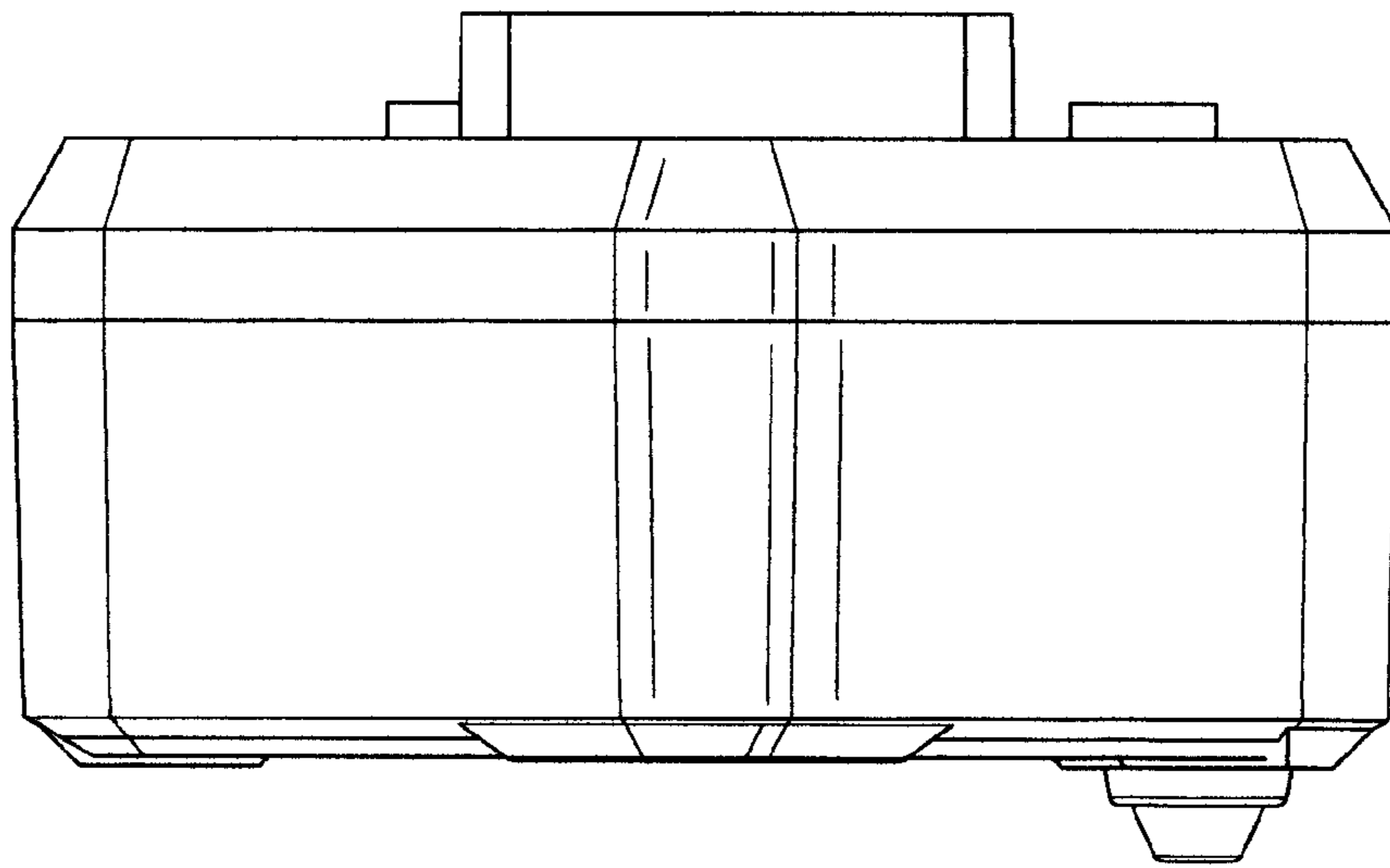


FIG 3

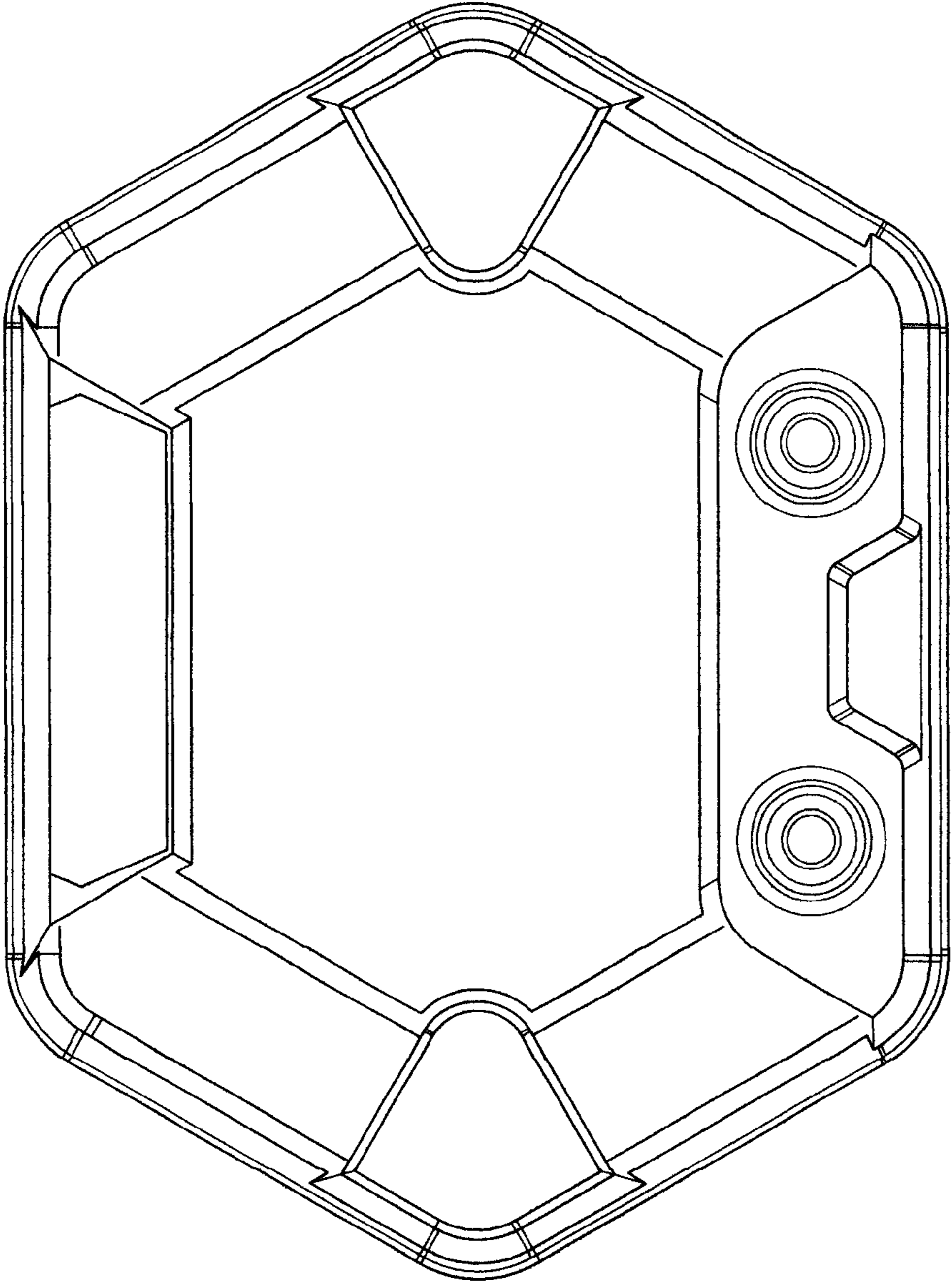


FIG 4

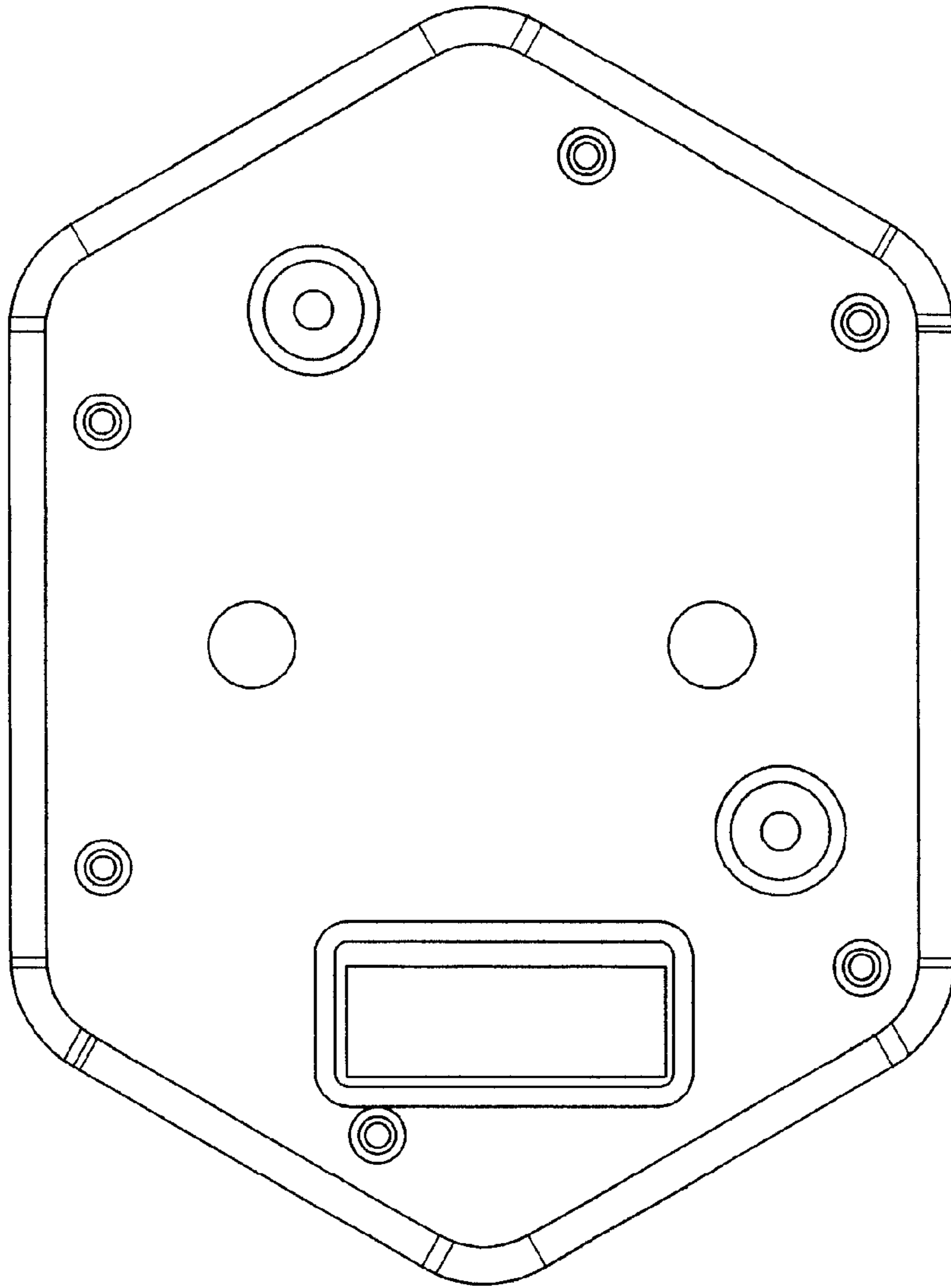


FIG 5

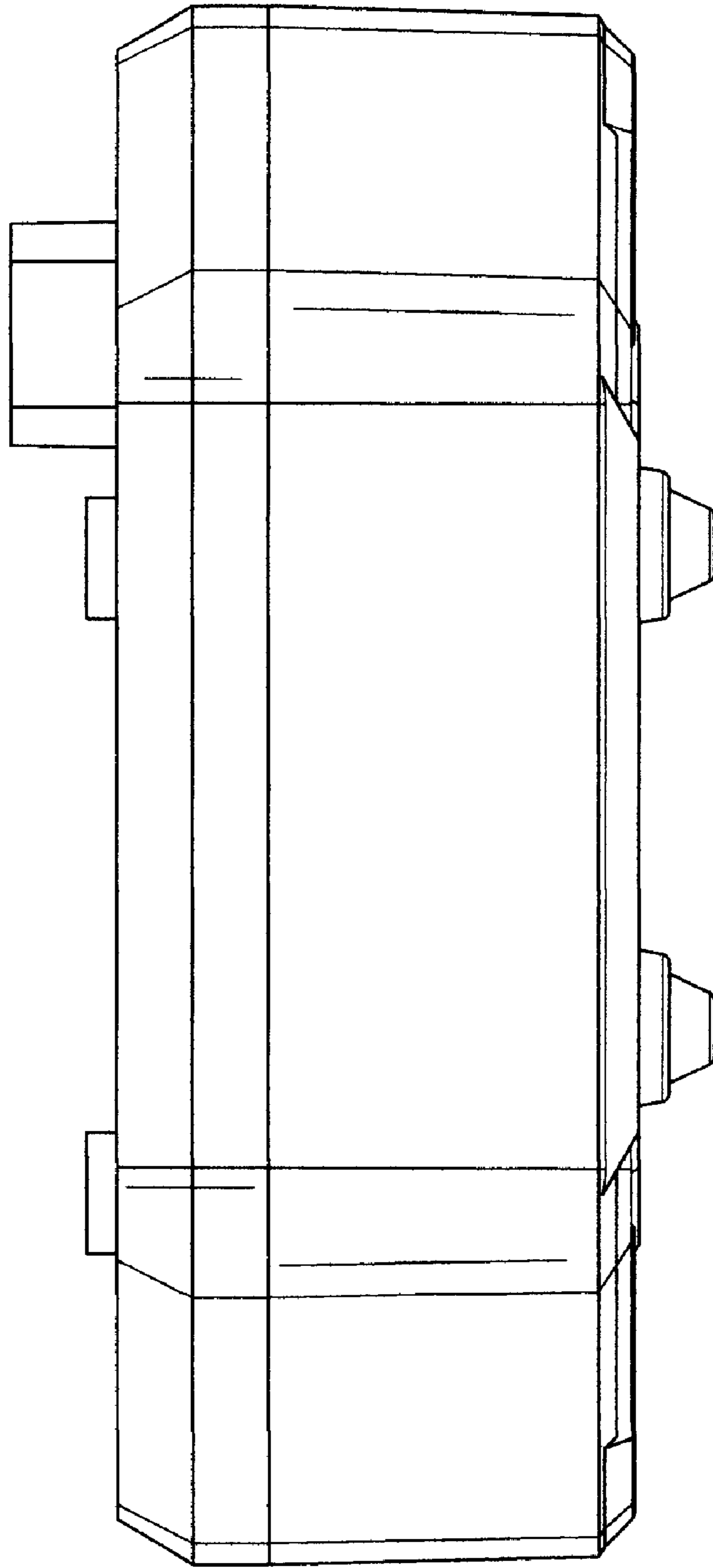


FIG 6

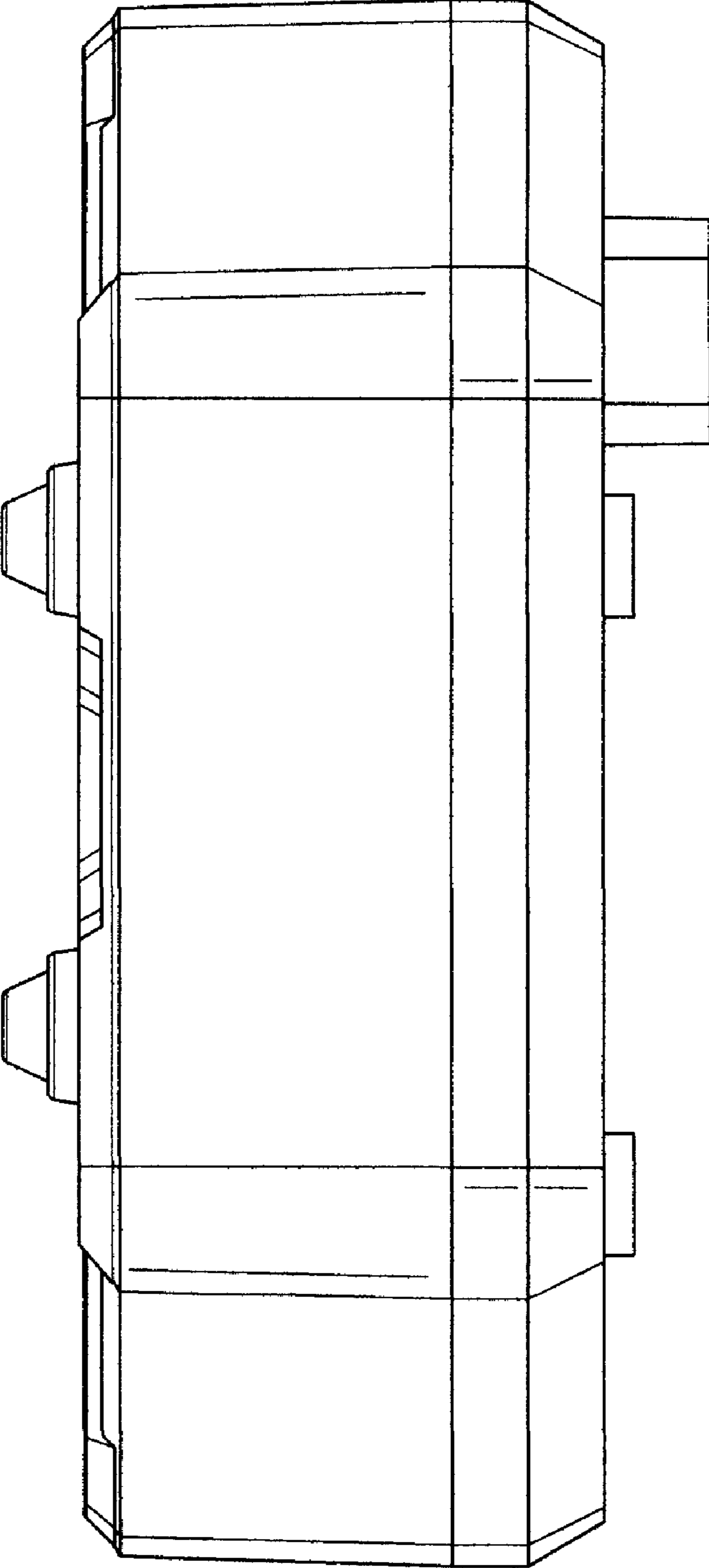


FIG 7