



US00D523359S

(12) **United States Design Patent**
DiPietro et al.

(10) **Patent No.:** **US D523,359 S**

(45) **Date of Patent:** **** Jun. 20, 2006**

(54) **MEASURING SPOON**

(75) Inventors: **Dean F. DiPietro**, Brooklyn, NY (US);
Boris Kontorovich, Brooklyn, NY
(US); **Tucker H. Fort**, New York, NY
(US)

(73) Assignee: **Helen of Troy Limited**, Bridgetown
(BB)

(**) Term: **14 Years**

(21) Appl. No.: **29/226,541**

(22) Filed: **Mar. 30, 2005**

(51) **LOC (8) Cl.** **10-04**

(52) **U.S. Cl.** **D10/46.2**

(58) **Field of Classification Search** D10/46.2;
D7/688-692, 393, 395, 401.2, 643, 644, 653-664;
30/324-328; 73/426-429

See application file for complete search history.

(56) **References Cited**

U.S. PATENT DOCUMENTS

- D394,014 S * 5/1998 Laib D10/46.2
- D439,175 S * 3/2001 Kerr D10/46.3
- D488,079 S * 4/2004 Mastroianni D10/46.3

* cited by examiner

Primary Examiner—Terry A. Wallace

(74) *Attorney, Agent, or Firm*—Seyfarth Shaw LLP

(57) **CLAIM**

The ornamental design for the measuring spoon, as shown and described.

DESCRIPTION

FIG. 1 is a perspective view of the measuring spoon showing our new design, the phantom lines forming no part of the claims design;

FIG. 2 is a bottom plan view of the measuring spoon, the phantom lines forming no part of the claimed design;

FIG. 3 is a top plan view of the measuring spoon, the phantom lines forming no part of the claimed design;

FIG. 4 is a side elevational view of the measuring spoon, the phantom lines forming no part of the claimed design;

FIG. 5 is a side elevational view opposite FIG. 4 of the measuring spoon, the phantom lines forming no part of the claimed design;

FIG. 6 is an end view of the measuring spoon, the phantom lines forming no part of the claimed design; and,

FIG. 7 is an end view opposite FIG. 6 of the measuring spoon, the phantom lines forming no part of the claimed design.

1 Claim, 2 Drawing Sheets

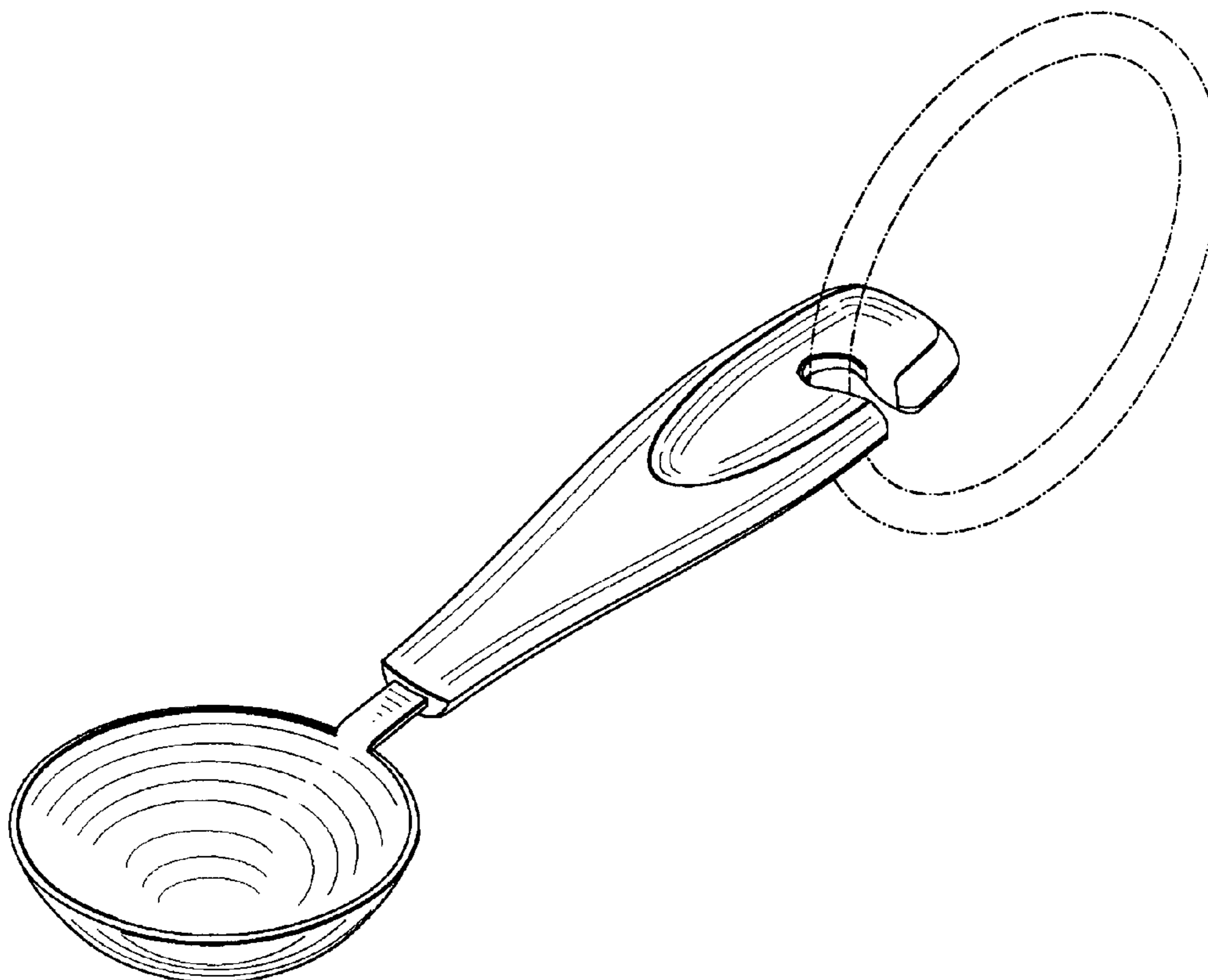


FIG. 1

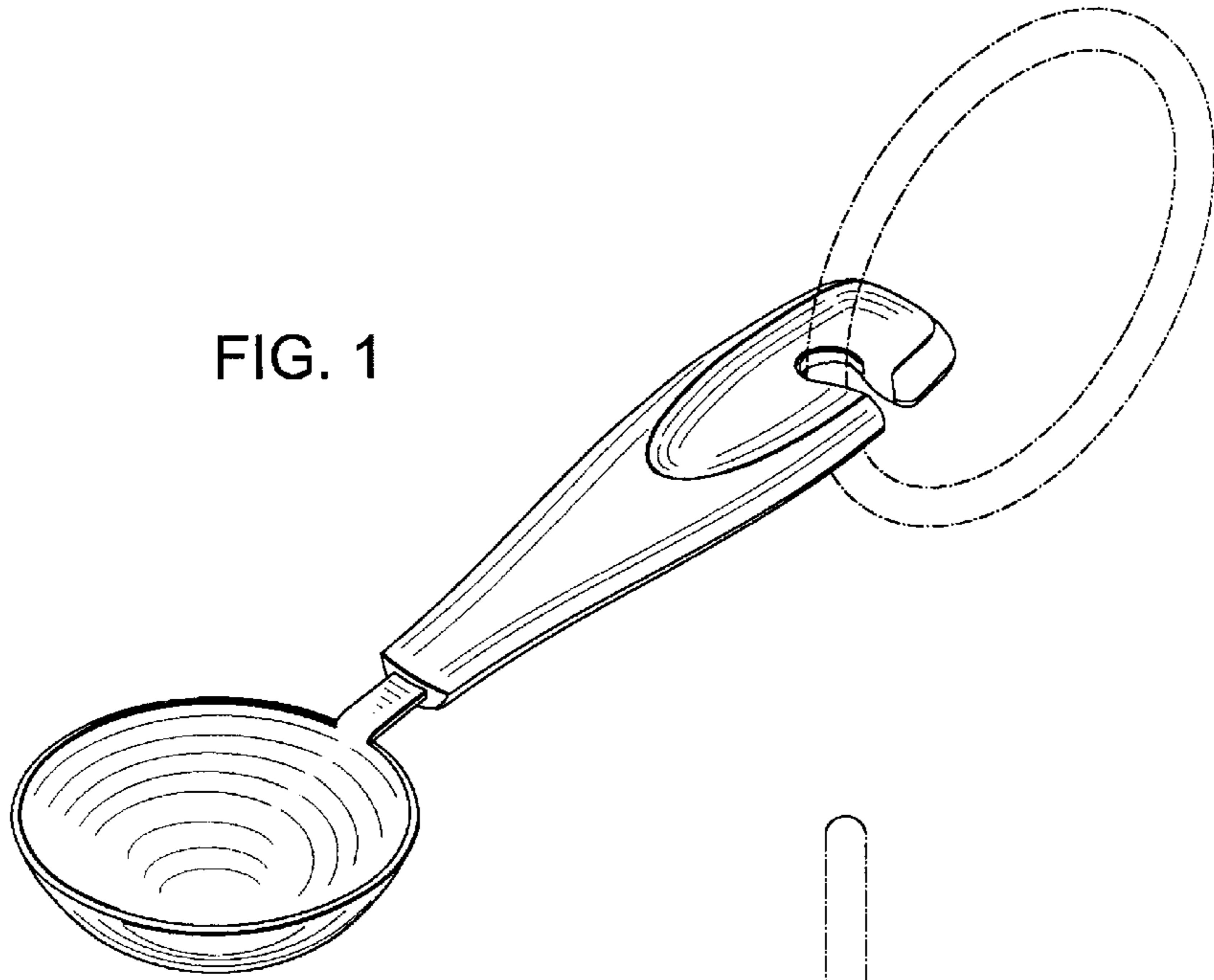


FIG. 2

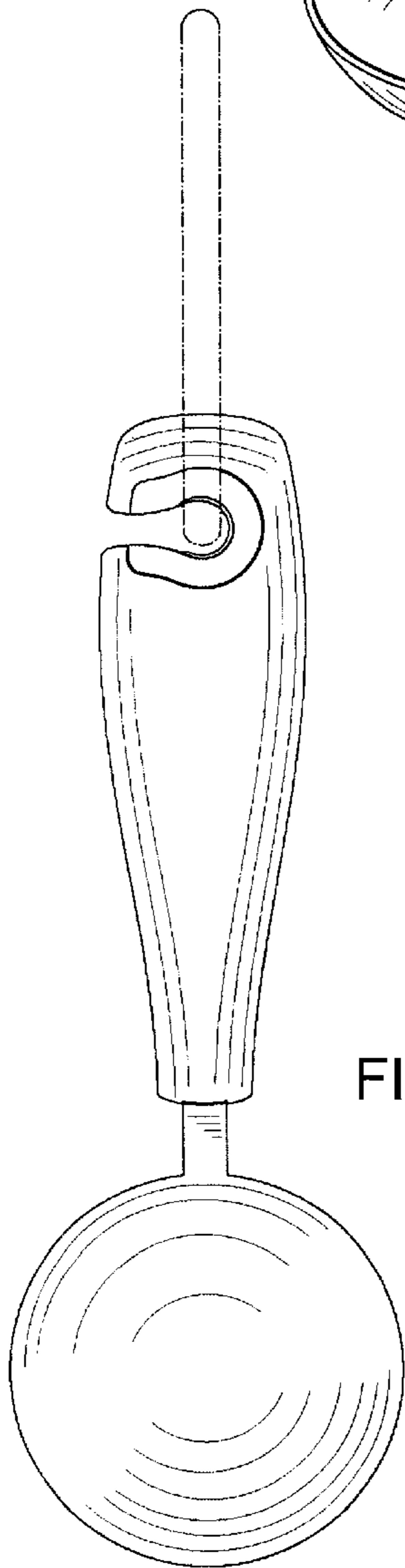
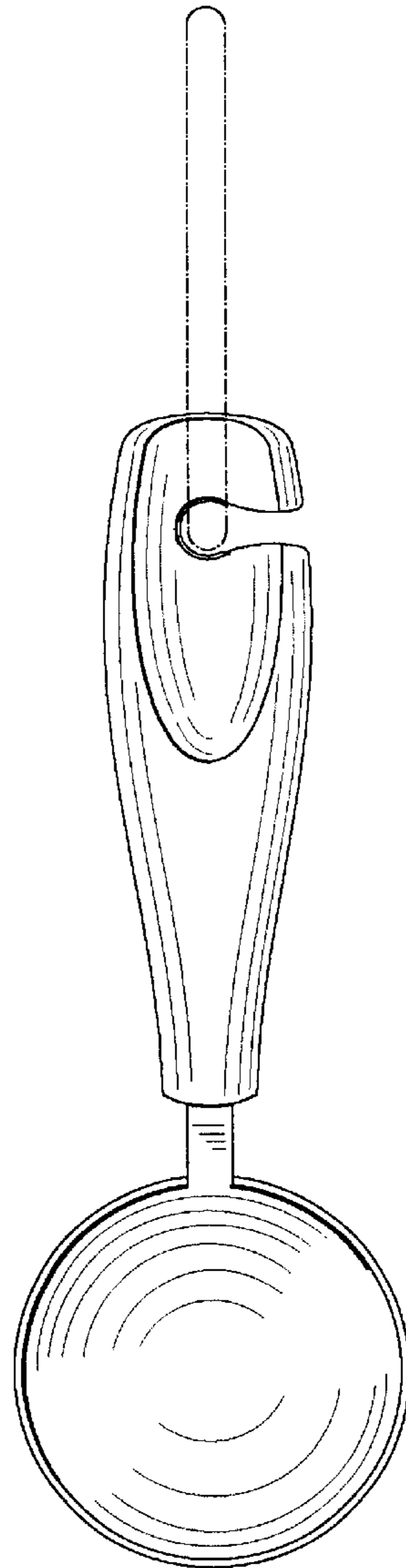


FIG. 3



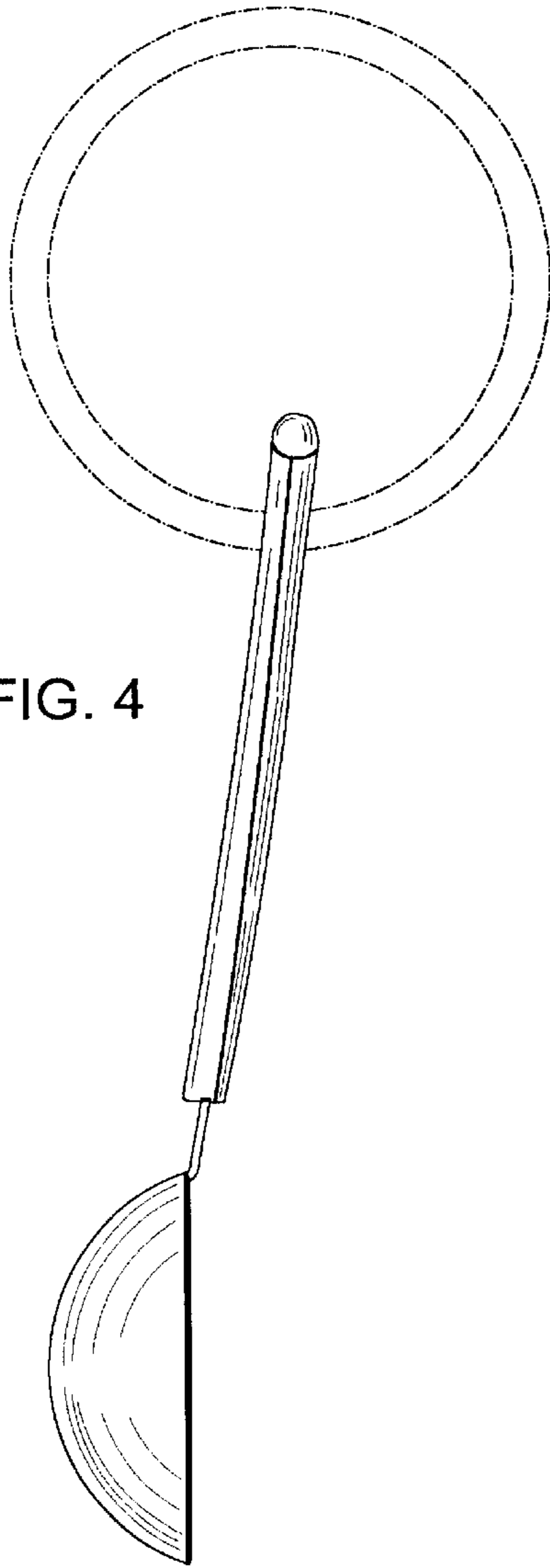


FIG. 4

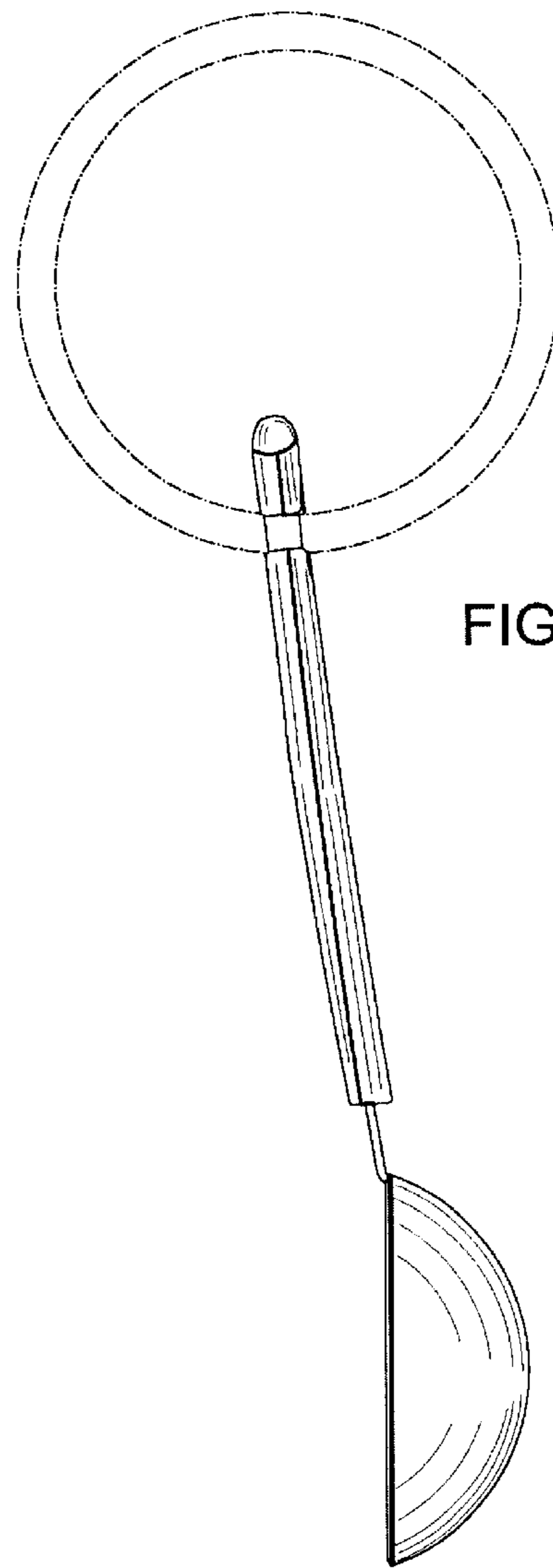


FIG. 5

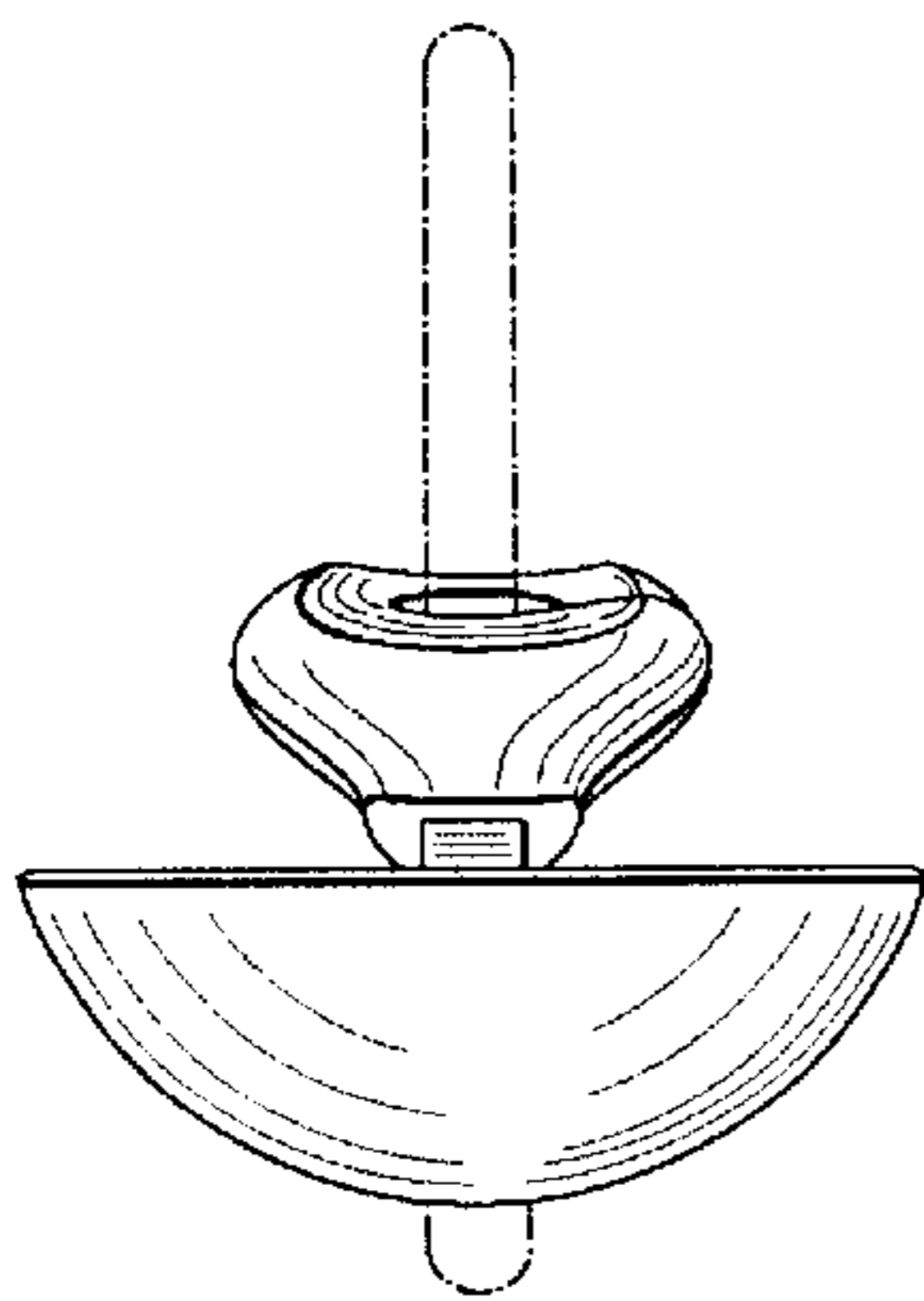


FIG. 6

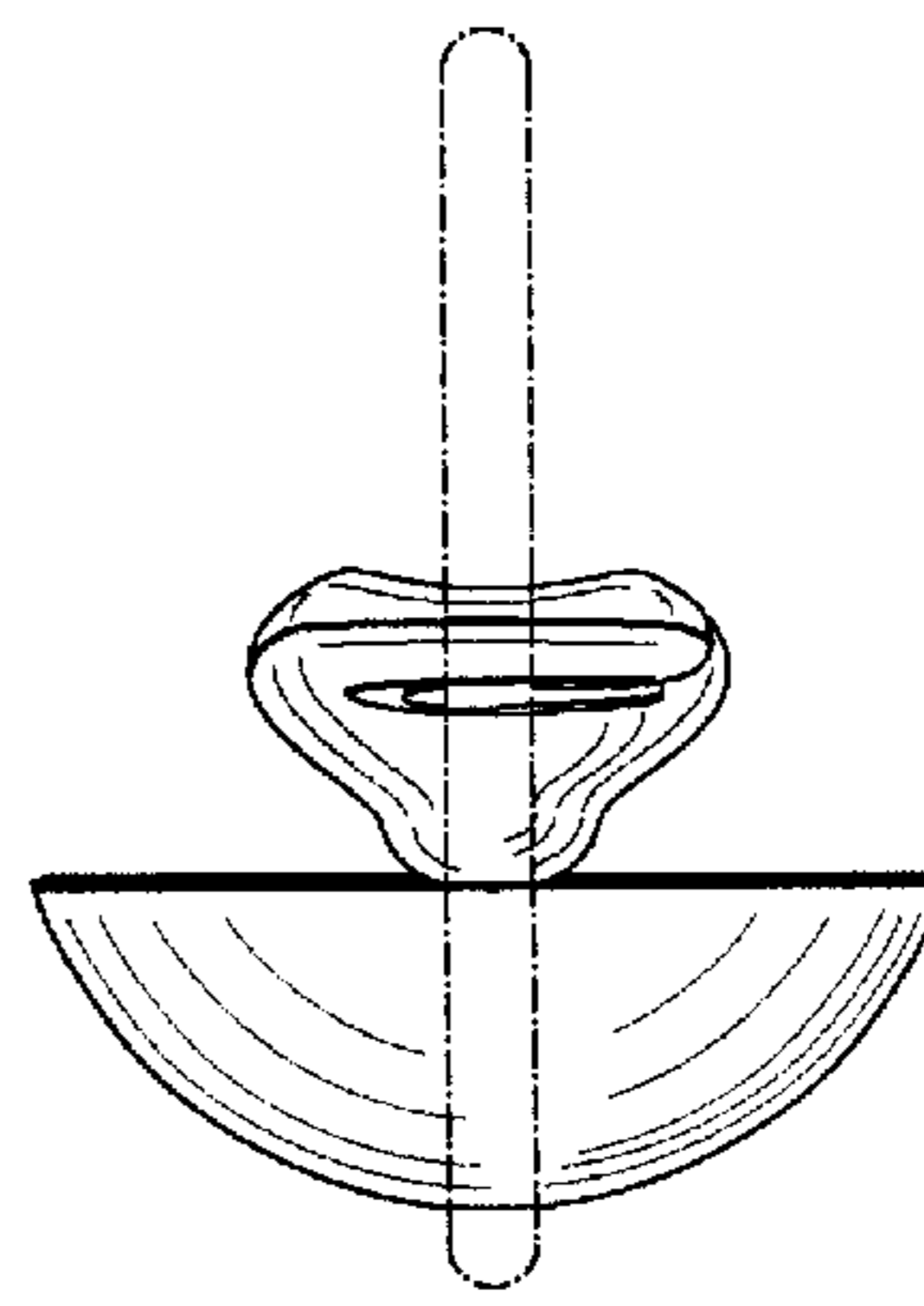


FIG. 7