



US00D523357S

(12) **United States Design Patent**
Kummer

(10) **Patent No.:** **US D523,357 S**

(45) **Date of Patent:** **** Jun. 20, 2006**

(54) **WATCH CASE**

(75) **Inventor:** **Matthias Kummer**, Schaffhausen (CH)

(73) **Assignee:** **Richemont International SA**,
Villars-sur-Glane (CH)

(**) **Term:** **14 Years**

(21) **Appl. No.:** **29/228,901**

(22) **Filed:** **May 2, 2005**

(30) **Foreign Application Priority Data**

Nov. 1, 2004 (WO) DM/066 003

(51) **LOC (8) Cl.** **10-02**

(52) **U.S. Cl.** **D10/38**

(58) **Field of Classification Search** D10/30-39;
368/276, 277, 281, 282, 285, 295, 286, 283,
368/239-242, 82-84

See application file for complete search history.

(56) **References Cited**

U.S. PATENT DOCUMENTS

D248,219 S * 6/1978 Porsche D10/32
D278,686 S * 5/1985 Mathez D10/39

D443,833 S * 6/2001 Lepou et al. D10/32
D451,405 S * 12/2001 Yoshikawa et al. D10/30
D497,109 S * 10/2004 Itsubo D10/30
D507,974 S * 8/2005 Strasser D10/30

OTHER PUBLICATIONS

Jeweler's Circular Keystone, Jun., 1979, pp. 56 and 57,
Citizen Watches.*

* cited by examiner

Primary Examiner—Lucy Lieberman

(74) *Attorney, Agent, or Firm*—Young & Thompson

(57) **CLAIM**

The ornamental design for a watch case, as shown and
described.

DESCRIPTION

FIG. 1 is a top view of the watch case.
FIG. 2 is a bottom view of the watch case.
FIG. 3 is a side view from the bottom of FIG. 1.
FIG. 4 is a side view from the top of FIG. 1.
FIG. 5 is a side view from the right of FIG. 1.
FIG. 6 is a side view from the left of FIG. 1; and,
FIG. 7 is a perspective view of the watch case.

1 Claim, 2 Drawing Sheets

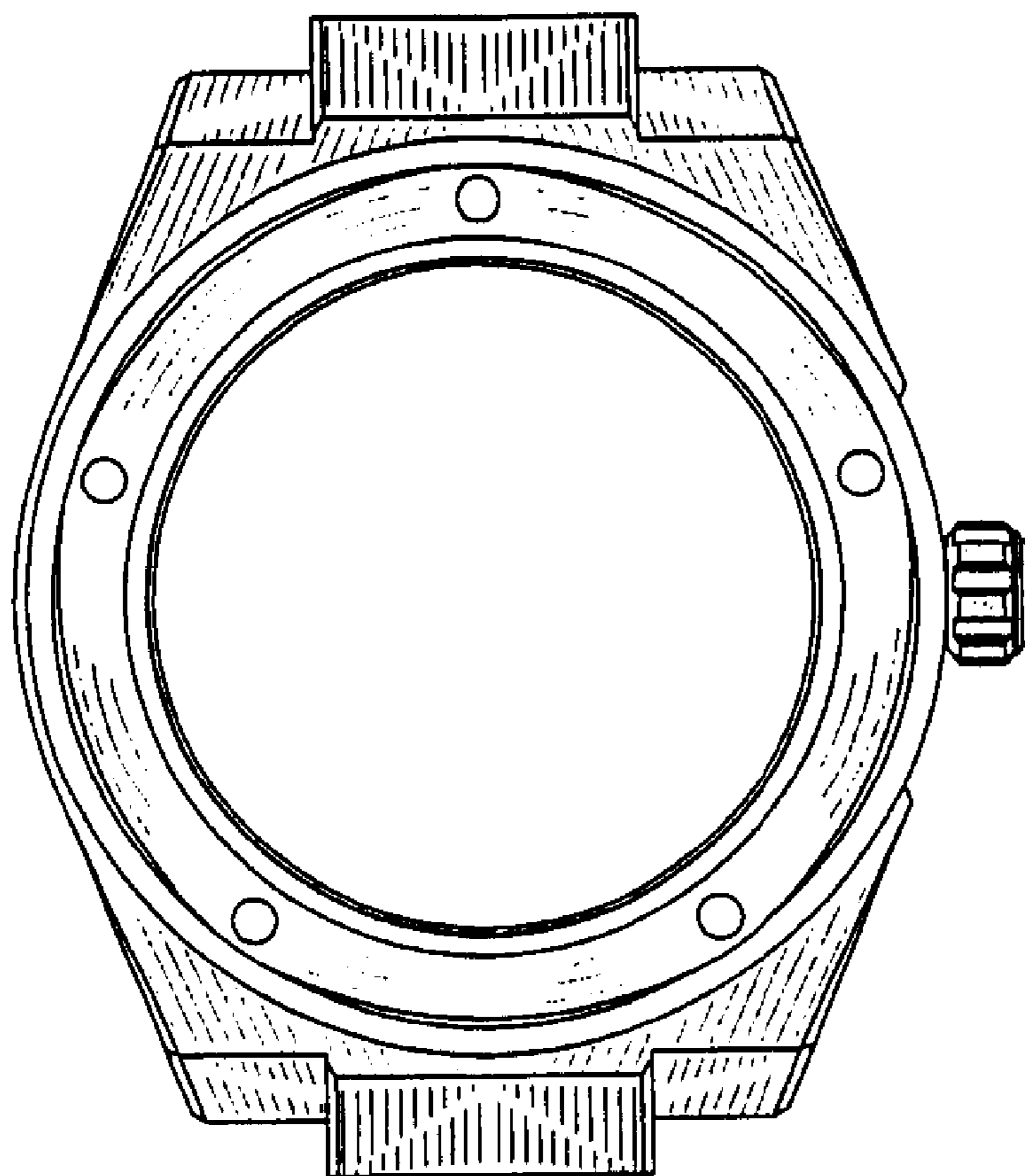


fig.1

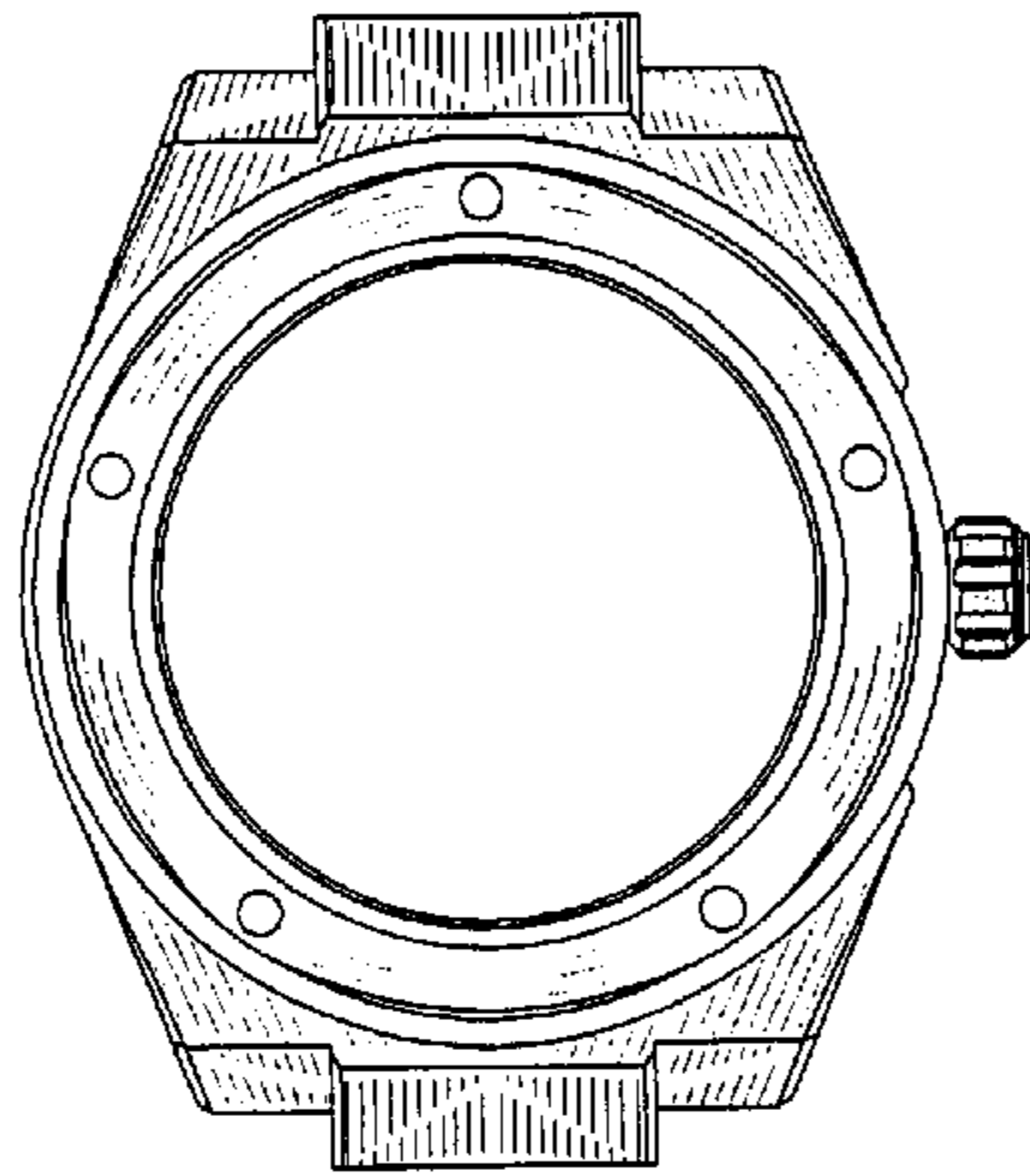


fig.3

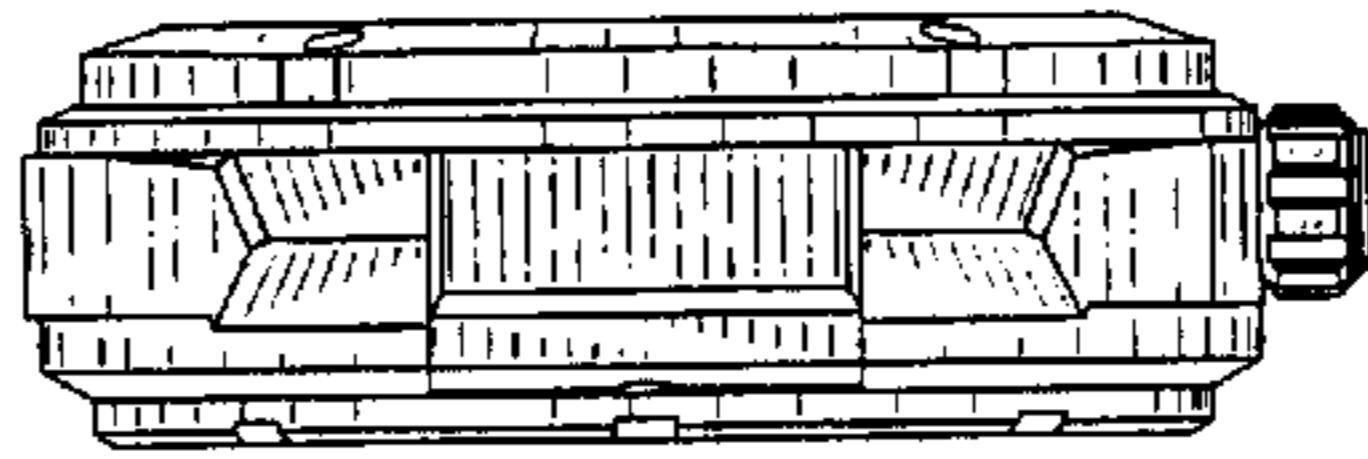


fig.5

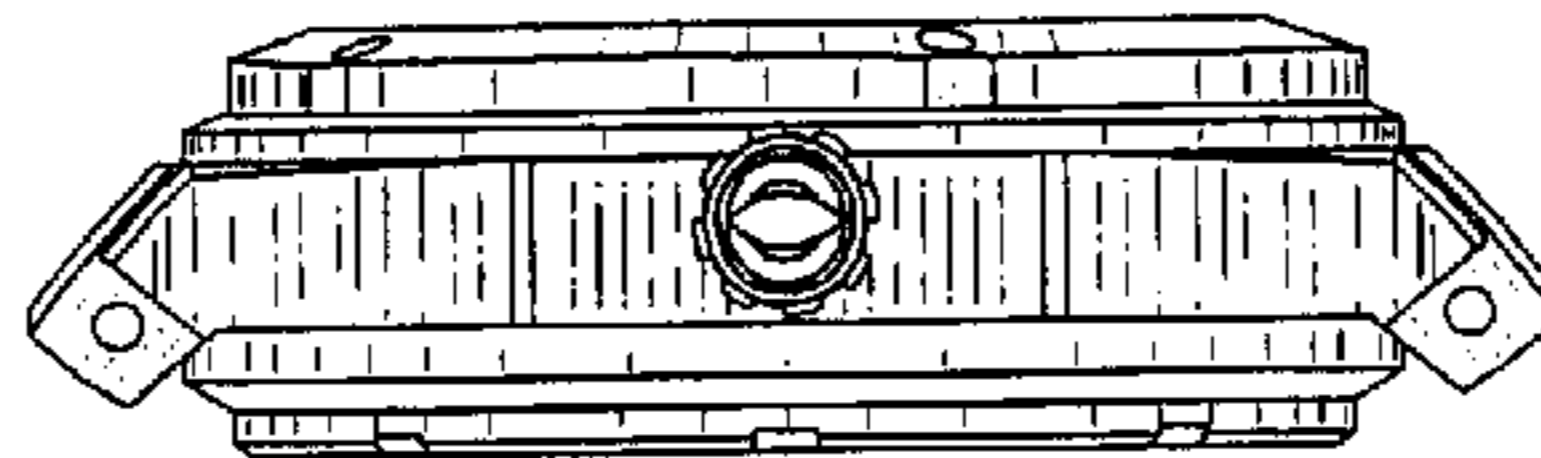
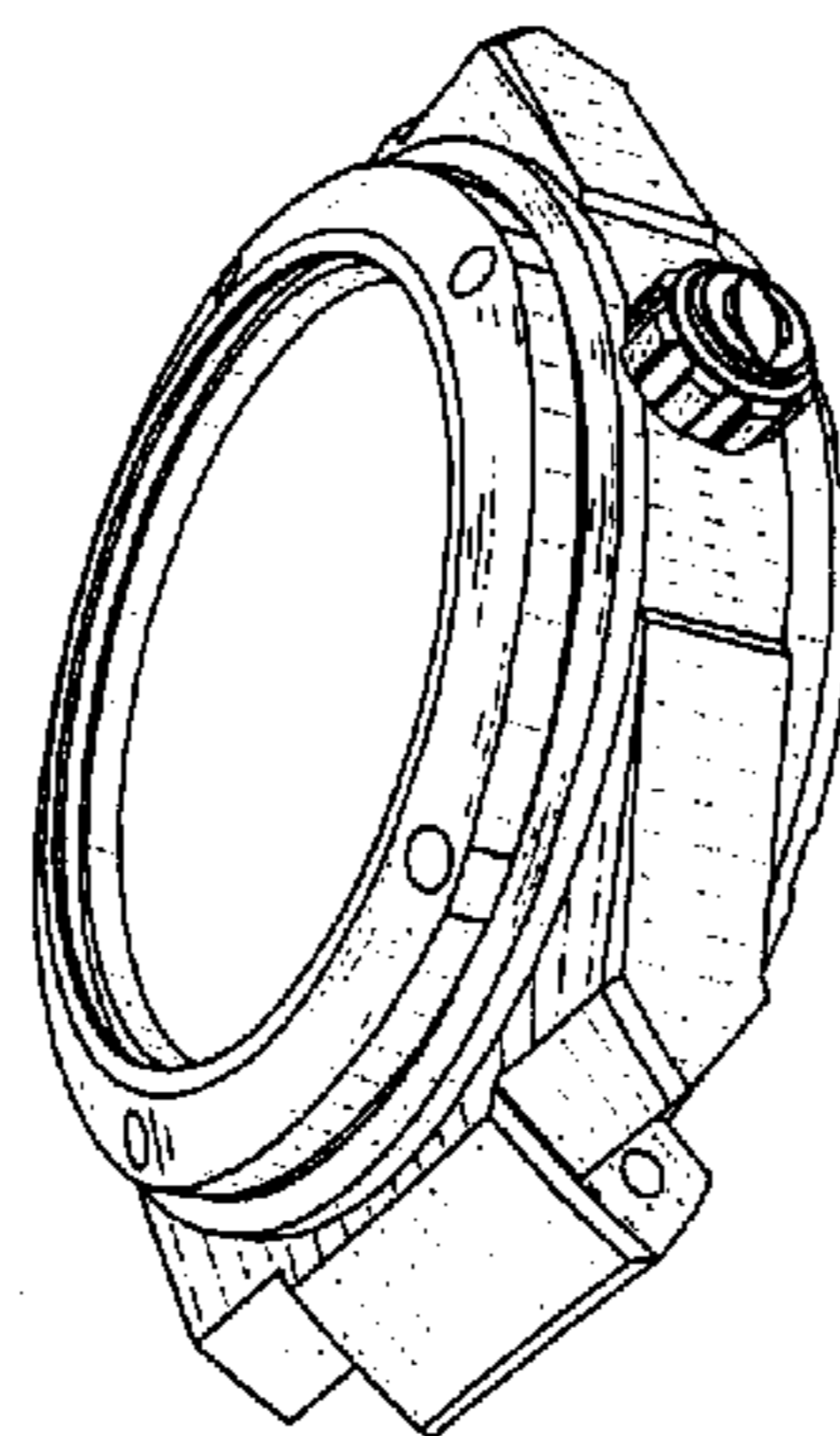


fig.7



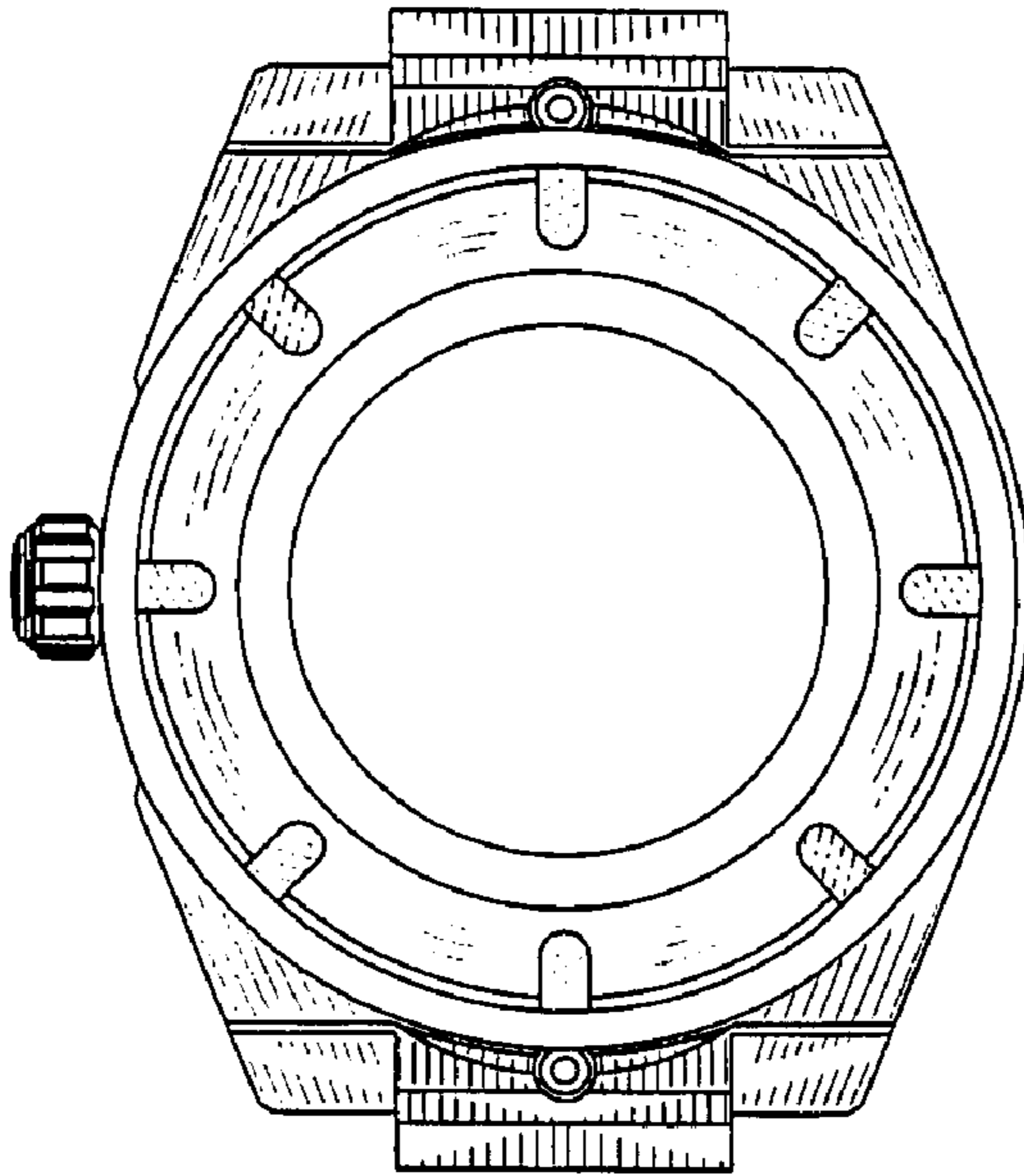


fig.2

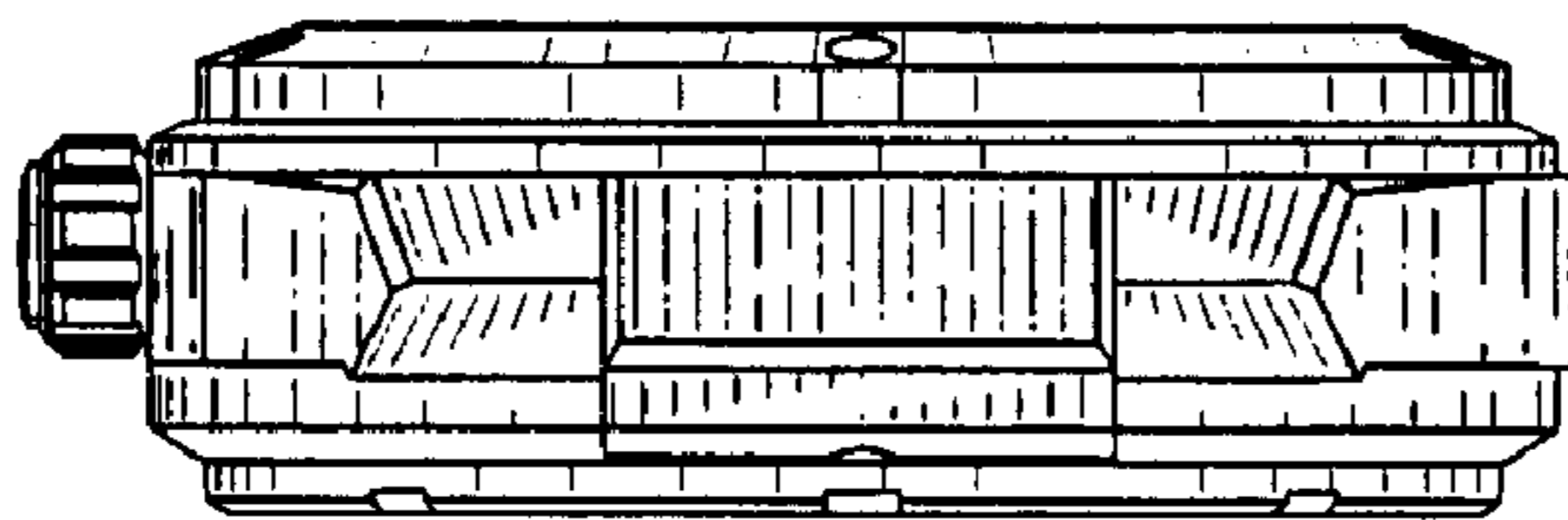


fig.4

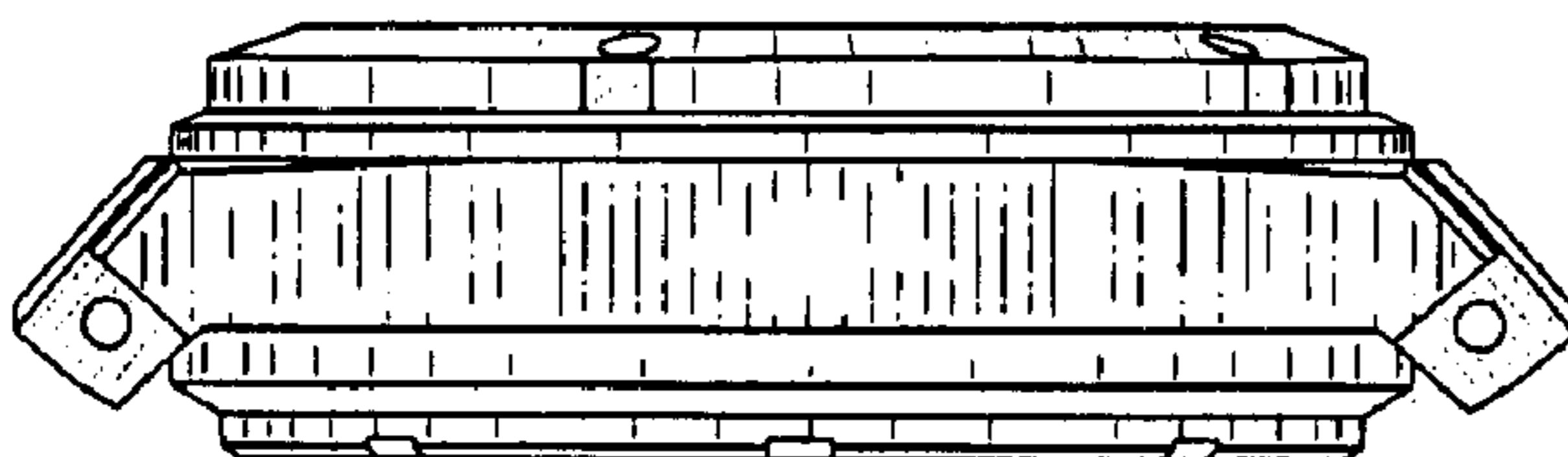


fig.6