



US00D523355S

(12) **United States Design Patent**
Pozzan

(10) **Patent No.:** **US D523,355 S**
(45) **Date of Patent:** **** Jun. 20, 2006**

(54) **WATCH**

(76) **Inventor:** **Lorenzo Pozzan**, Via Corbetta, 5,
36100 Vicenza (IT)

(**) **Term:** **14 Years**

(21) **Appl. No.:** **29/228,249**

(22) **Filed:** **Apr. 21, 2005**

(30) **Foreign Application Priority Data**

Oct. 26, 2004 (IT) VI2004O0039

(51) **LOC (8) Cl.** **10-02**

(52) **U.S. Cl.** **D10/30; D10/38**

(58) **Field of Classification Search** D10/30-39;
368/276, 277, 281, 282, 285, 295, 286, 283,
368/239-242, 82-84, 28-30, 223, 228, 232,
368/80, 67, 21, 243, 244, 249, 250

See application file for complete search history.

(56) **References Cited**

U.S. PATENT DOCUMENTS

3,041,917 A * 7/1962 Glatt 359/438
3,566,602 A * 3/1971 Bergey et al. 368/79
3,576,099 A * 4/1971 Walton 368/83
D225,429 S * 12/1972 Vuilleumier D10/38
3,768,247 A * 10/1973 Fujita 368/160
D229,213 S * 11/1973 Sasaki D10/38

3,786,626 A * 1/1974 Hurt 368/283
3,841,083 A * 10/1974 Bergey 368/67
D239,373 S * 3/1976 Huckenbeck D10/38
D239,511 S * 4/1976 Watson D10/38
3,974,637 A * 8/1976 Bergey et al. 368/68
4,006,587 A * 2/1977 Huguenin 368/281

FOREIGN PATENT DOCUMENTS

DE 3811403 A1 * 10/1989 368/281
JP 53021968 A * 2/1978 368/242

* cited by examiner

Primary Examiner—Lucy Lieberman

(74) *Attorney, Agent, or Firm*—Bucknam and Archer;
Joseph J. Orlando

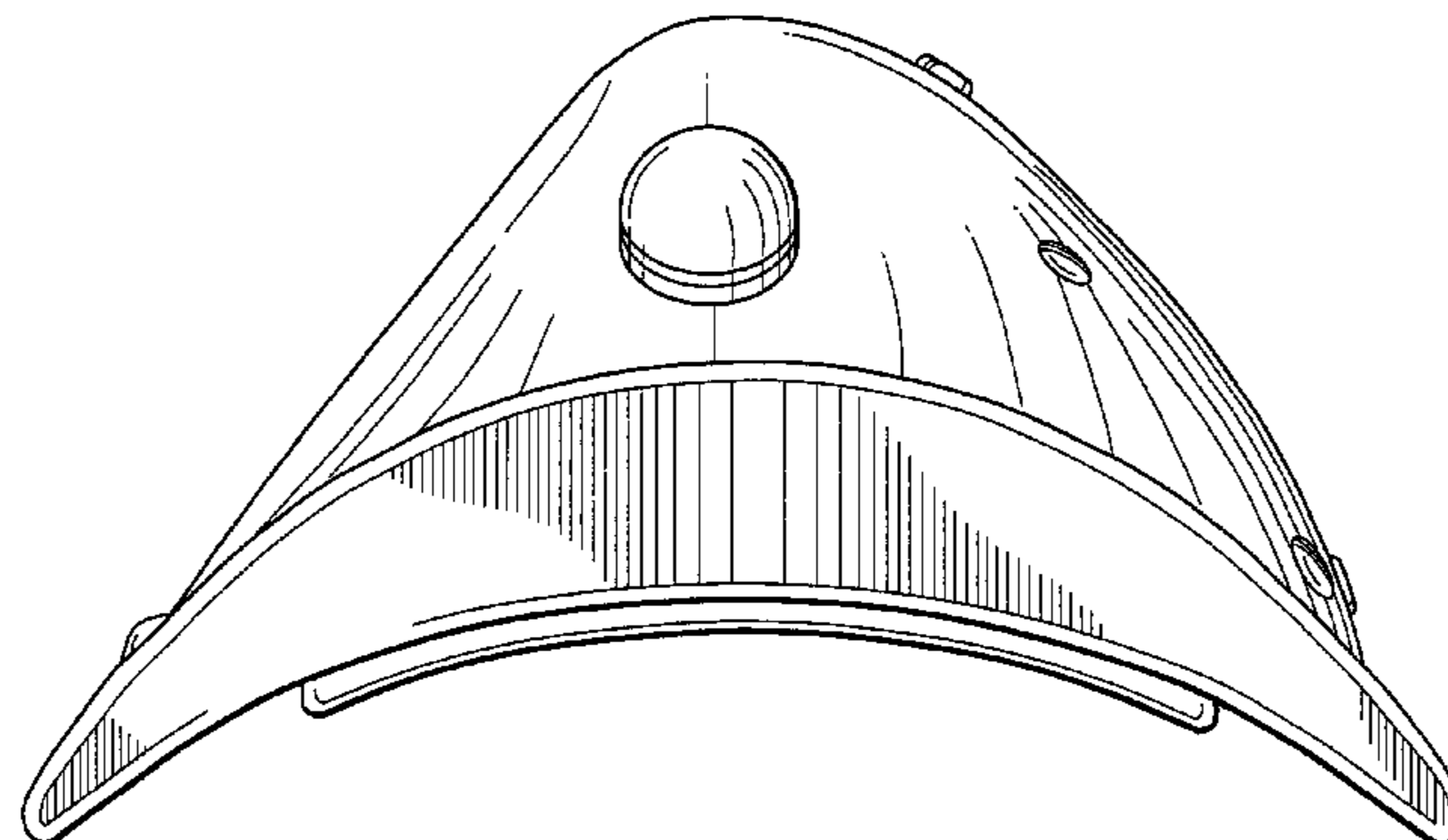
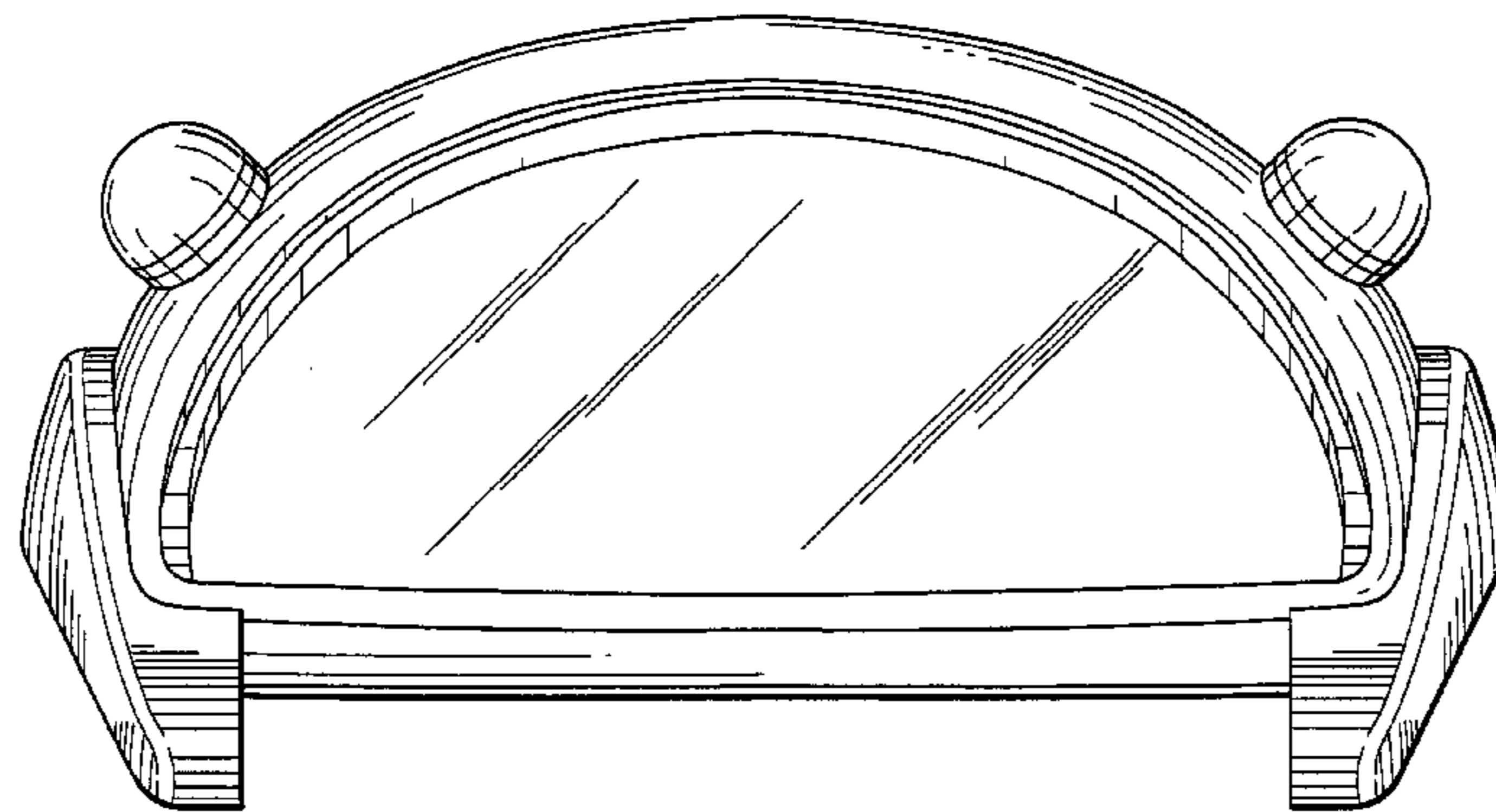
(57) **CLAIM**

The ornamental design for a watch, as shown and described.

DESCRIPTION

FIG. 1 shows a front view of my design for a watch;
FIG. 2 shows a rear view thereof;
FIG. 3 shows a right side view thereof;
FIG. 4 shows a left side view thereof;
FIG. 5 shows a top plan view thereof;
FIG. 6 shows a bottom plan view thereof; and,
FIG. 7 is a top and front view of the watch of FIG. 1 shown
rotated 45 degrees forward.

1 Claim, 6 Drawing Sheets



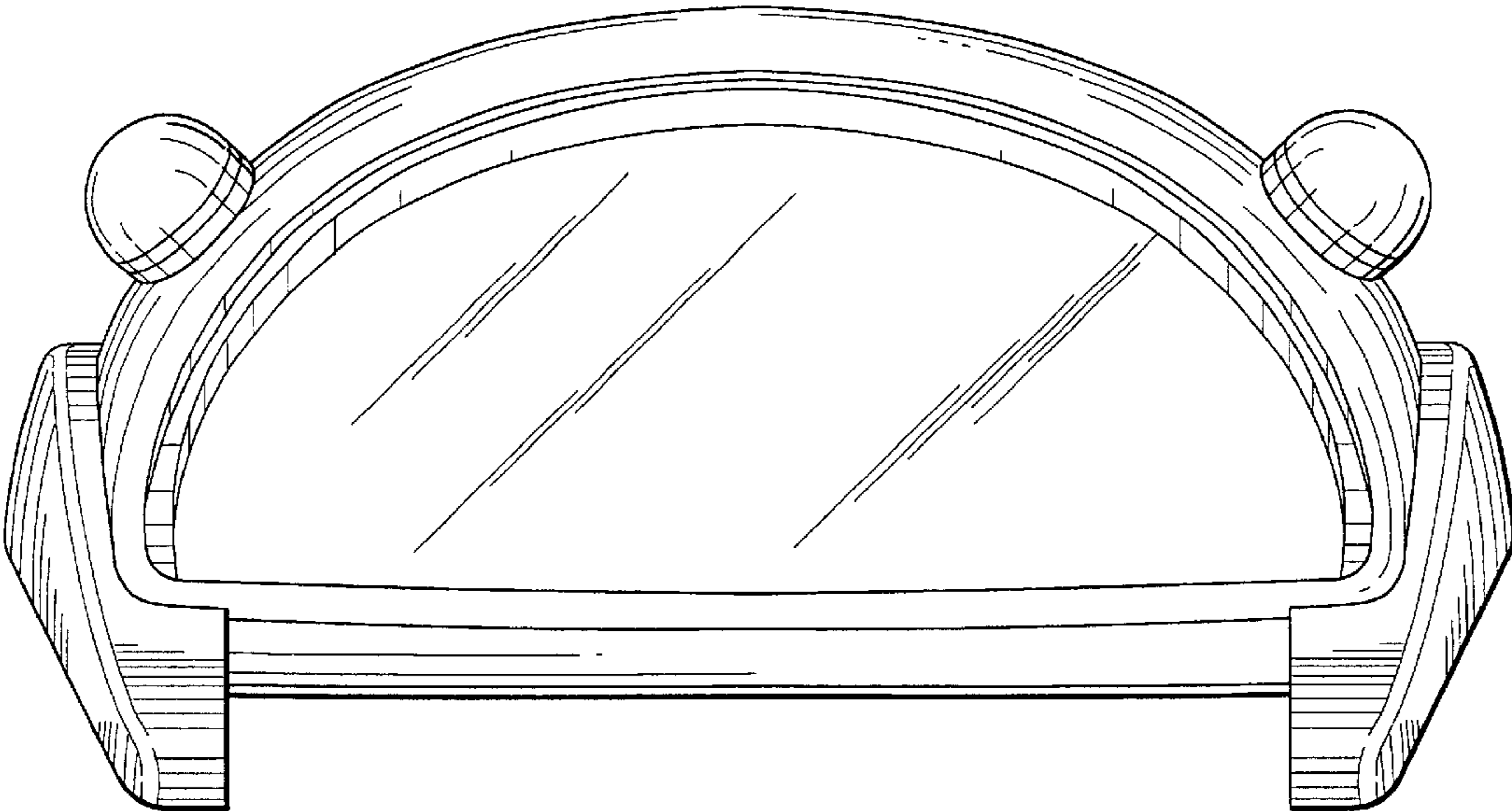


FIG. 1

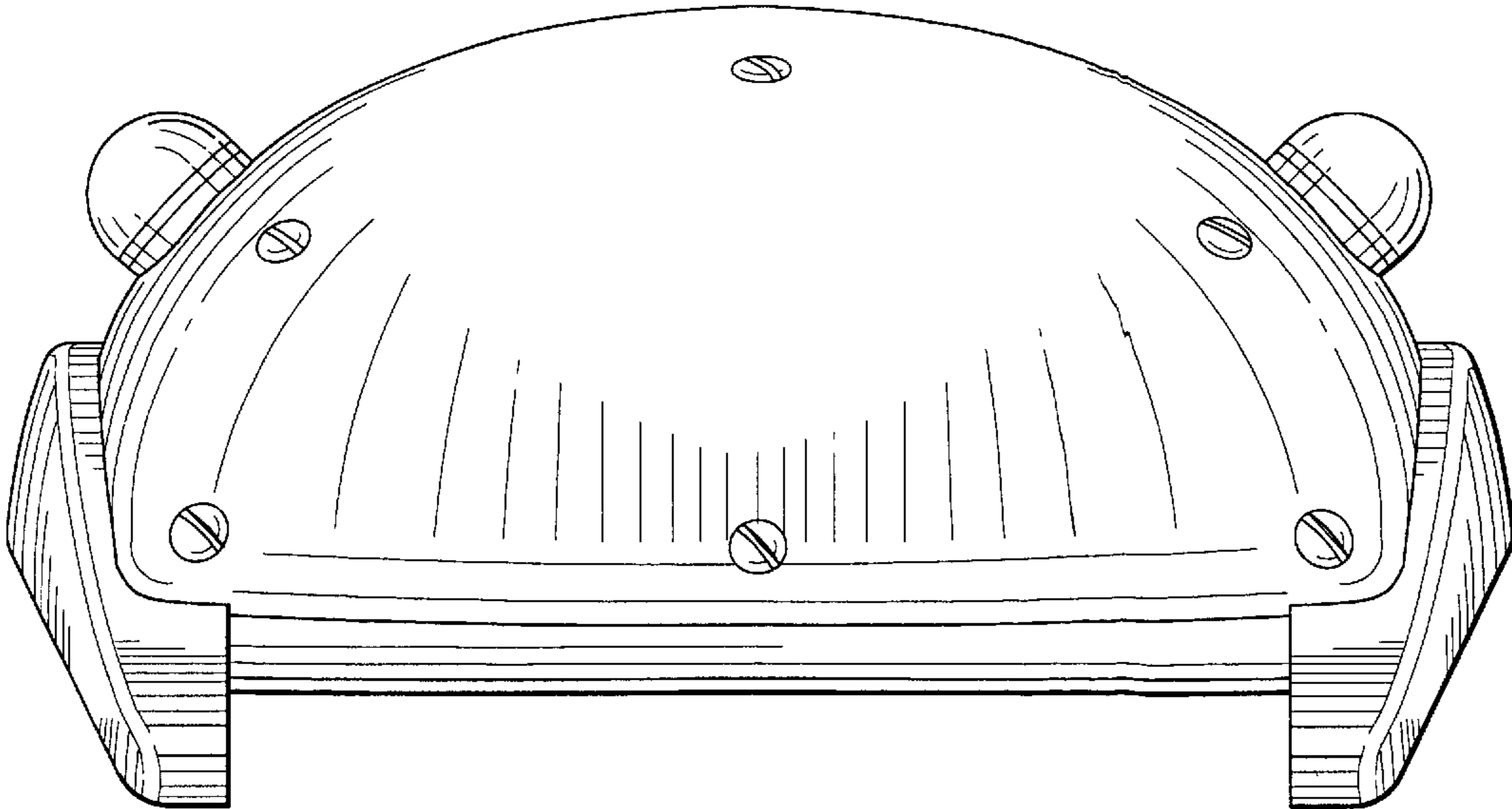


FIG.2

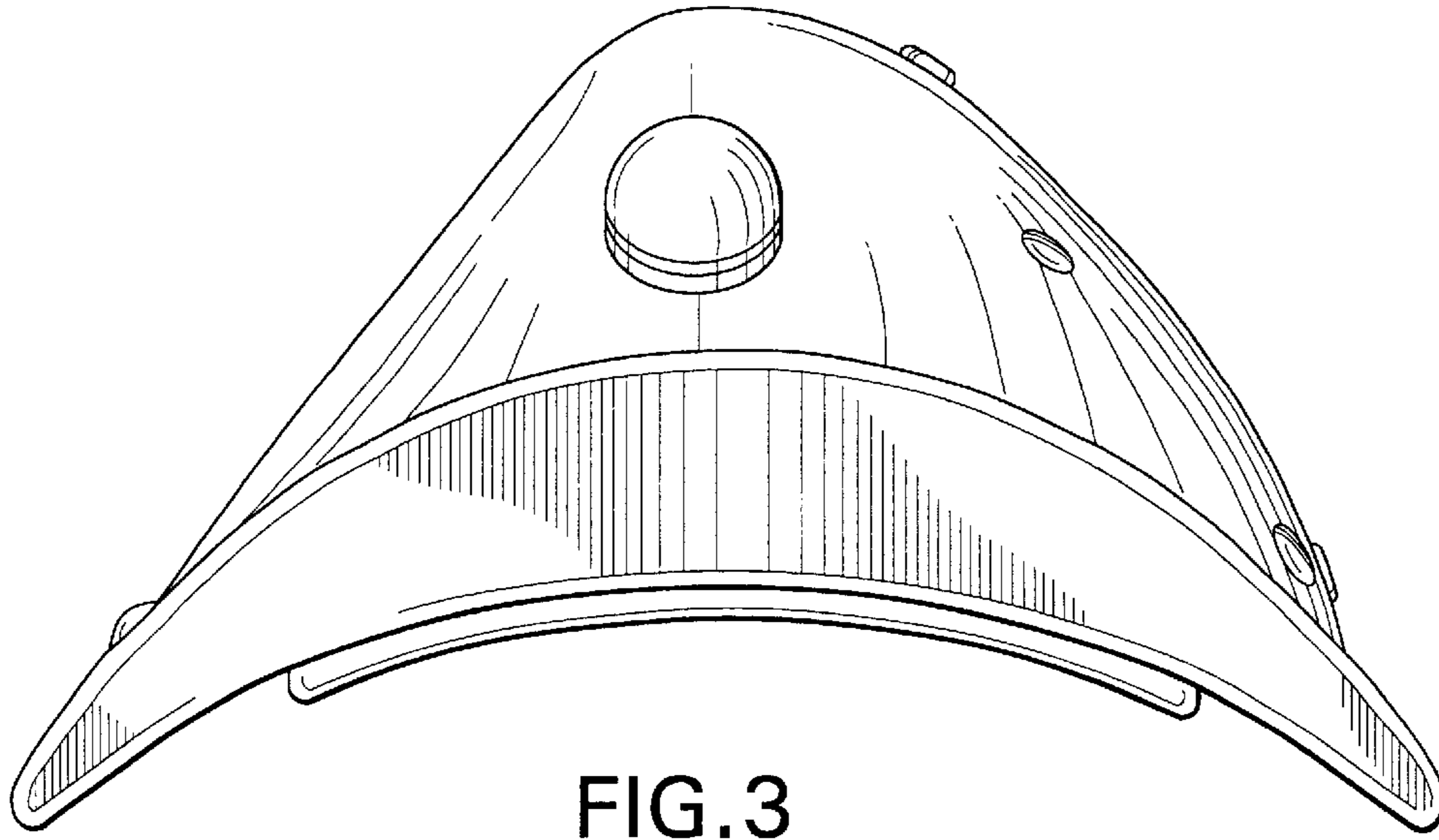


FIG. 3

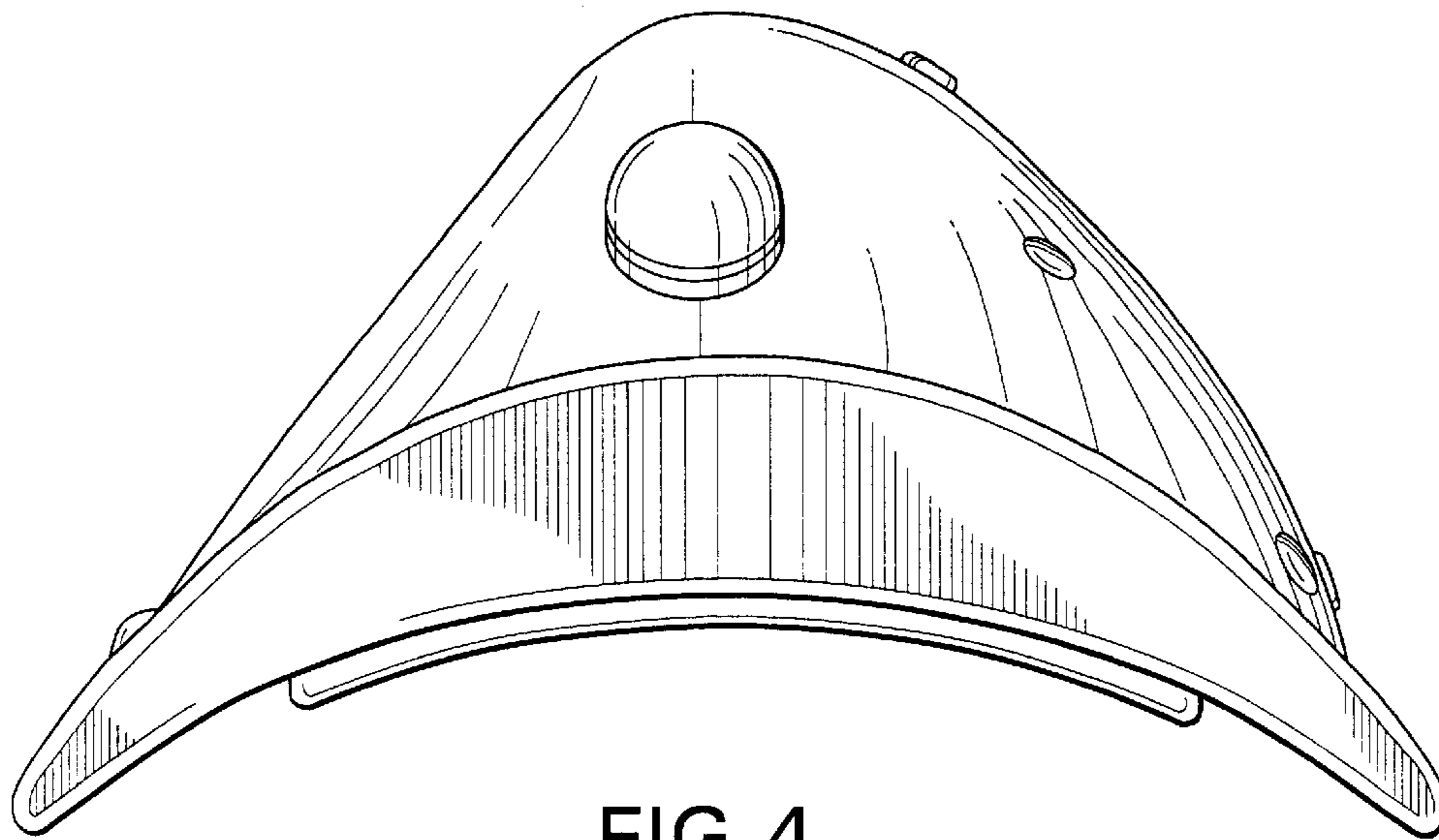


FIG. 4

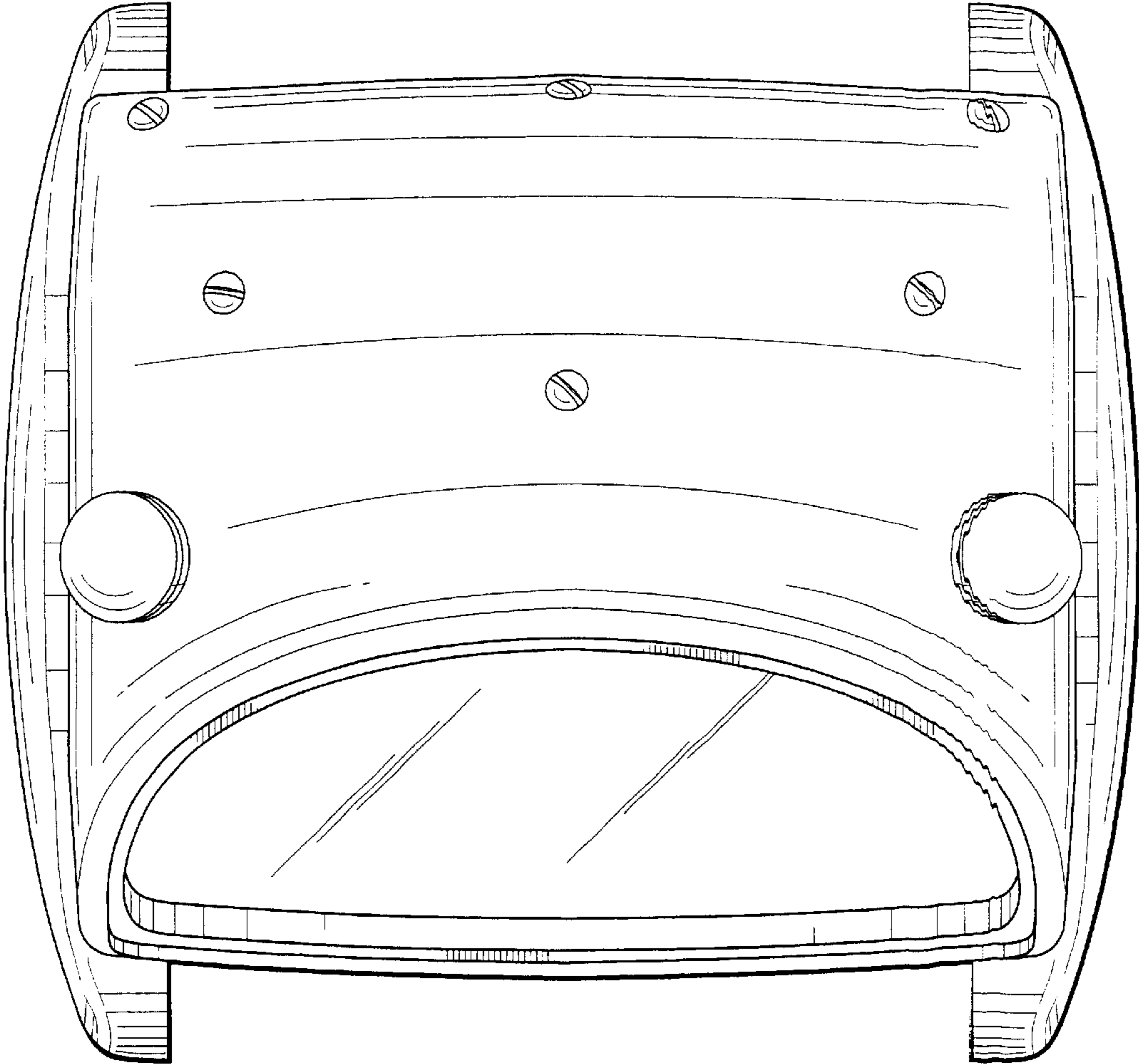


FIG. 5

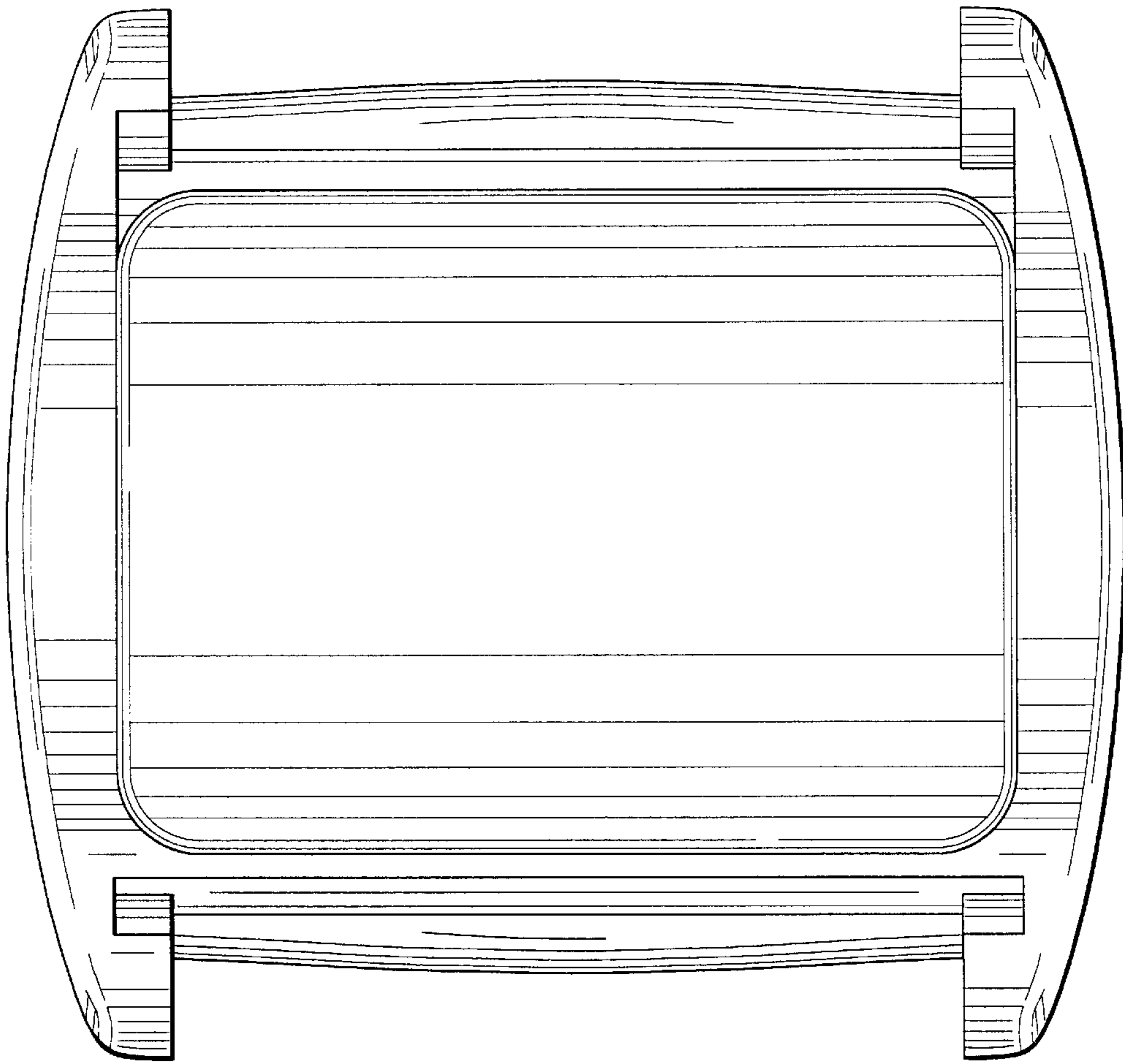


FIG.6

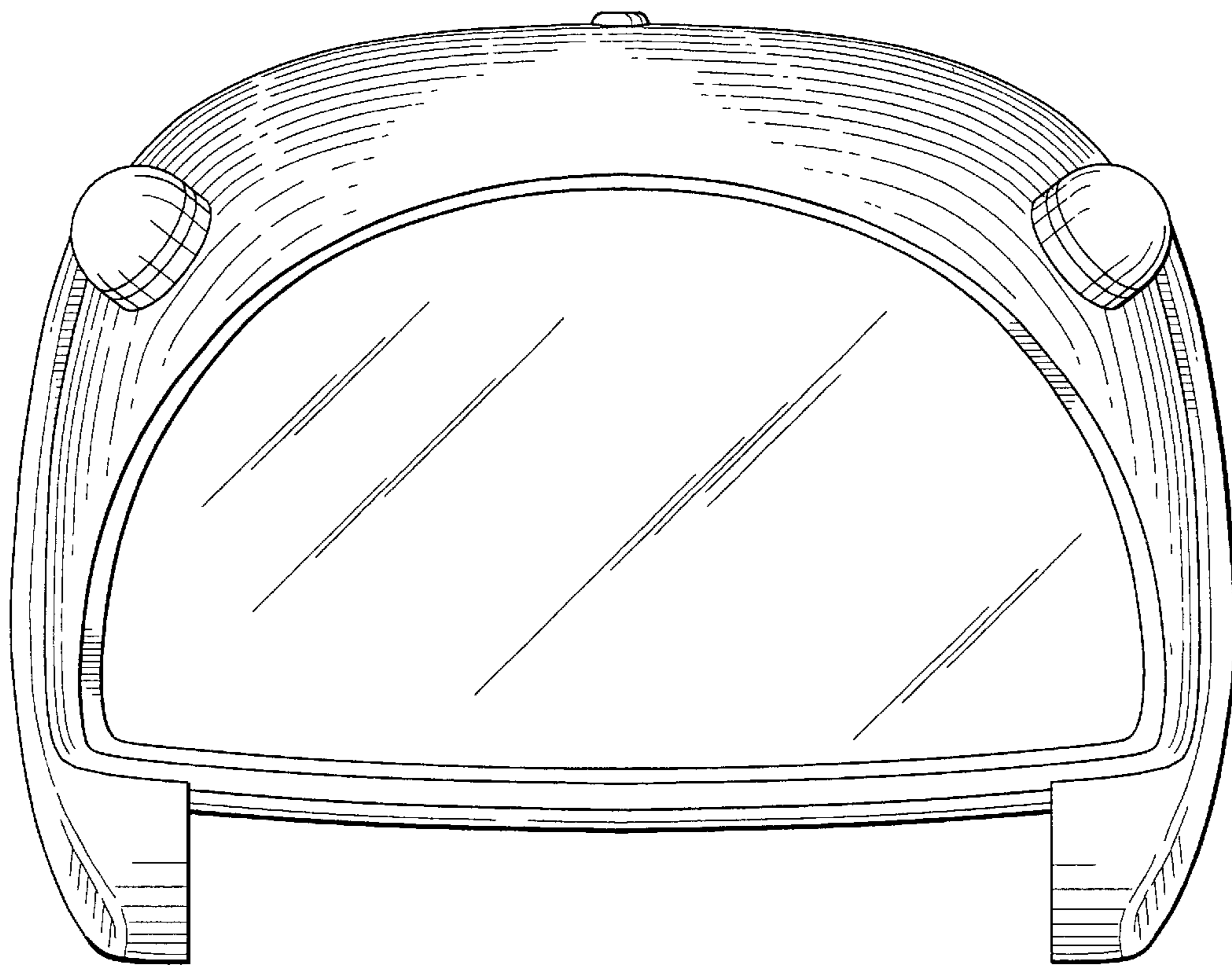


FIG. 7