

US00D523353S

(12) **United States Design Patent**  
**Branden**

(10) **Patent No.:** **US D523,353 S**  
(45) **Date of Patent:** **\*\* Jun. 20, 2006**

(54) **HOLDER FOR A PLASTIC RAZOR BLADE**

(76) Inventor: **Christopher Richard Branden**, 4 Silk  
Oaks Dr., Ormond Beach, FL (US)  
32176

(\*\*) Term: **14 Years**

(21) Appl. No.: **29/240,748**

(22) Filed: **Oct. 18, 2005**

(51) **LOC (8) Cl.** ..... **09-03**

(52) **U.S. Cl.** ..... **D9/749**

(58) **Field of Classification Search** ..... D9/749;  
D28/44.1, 44.2, 44-48; D8/92; D19/65; D32/40,  
D32/41, 46, 48; 30/541, 329, 169, 334, 537,  
30/340, 335, 85, 86, 90, 337; 206/228, 240,  
206/352, 775, 208, 493, 354-360, 349  
See application file for complete search history.

(56) **References Cited**

**U.S. PATENT DOCUMENTS**

1,465,774	A	*	8/1923	Welch	.....	206/208
1,733,971	A	*	10/1929	Kremer	.....	206/208
D129,285	S	*	9/1941	Frank	.....	D32/48
2,308,162	A	*	1/1943	Frank	.....	30/329
2,443,495	A	*	6/1948	De Tuesta	.....	206/208
2,549,542	A	*	4/1951	Stair	.....	30/162
2,601,450	A	*	6/1952	O'Neill	.....	30/332
3,362,069	A	*	1/1968	Blackwell	.....	30/151
D240,699	S	*	7/1976	Gerson et al.	.....	D32/48
4,182,033	A	*	1/1980	Jacobson et al.	.....	30/169
D261,063	S	*	9/1981	Keck	.....	D28/44
D266,606	S	*	10/1982	Keck	.....	D28/44
4,570,342	A		2/1986	Baum	.....	30/162
4,612,707	A	*	9/1986	Shea	.....	30/162
4,706,385	A		11/1987	Iten	.....	30/169
4,817,285	A		4/1989	Olejniczak	.....	30/47
D303,860	S	*	10/1989	Iten	.....	D32/48

D312,893	S	*	12/1990	Hansen	.....	D28/48
4,979,300	A		12/1990	Blank et al.	.....	30/169
D318,142	S	*	7/1991	Falchi	.....	D28/46
5,148,916	A	*	9/1992	Tillyer, Sr.	.....	206/352
5,666,732	A		9/1997	Shea	.....	30/329
D389,966	S	*	1/1998	Melodia et al.	.....	D32/46
5,908,036	A	*	6/1999	Andrews	.....	132/215
D435,935	S	*	1/2001	Nobile et al.	.....	D28/48
D496,404	S	*	9/2004	Hurwitz	.....	D19/92
D512,181	S	*	11/2005	Dibnah et al.	.....	D28/44
2004/0200080	A1		10/2004	Lauri	.....	30/541

\* cited by examiner

*Primary Examiner*—Stella Reid  
*Assistant Examiner*—Mark Goodwin  
(74) *Attorney, Agent, or Firm*—Michael L. Leetzow, P.A.

(57) **CLAIM**

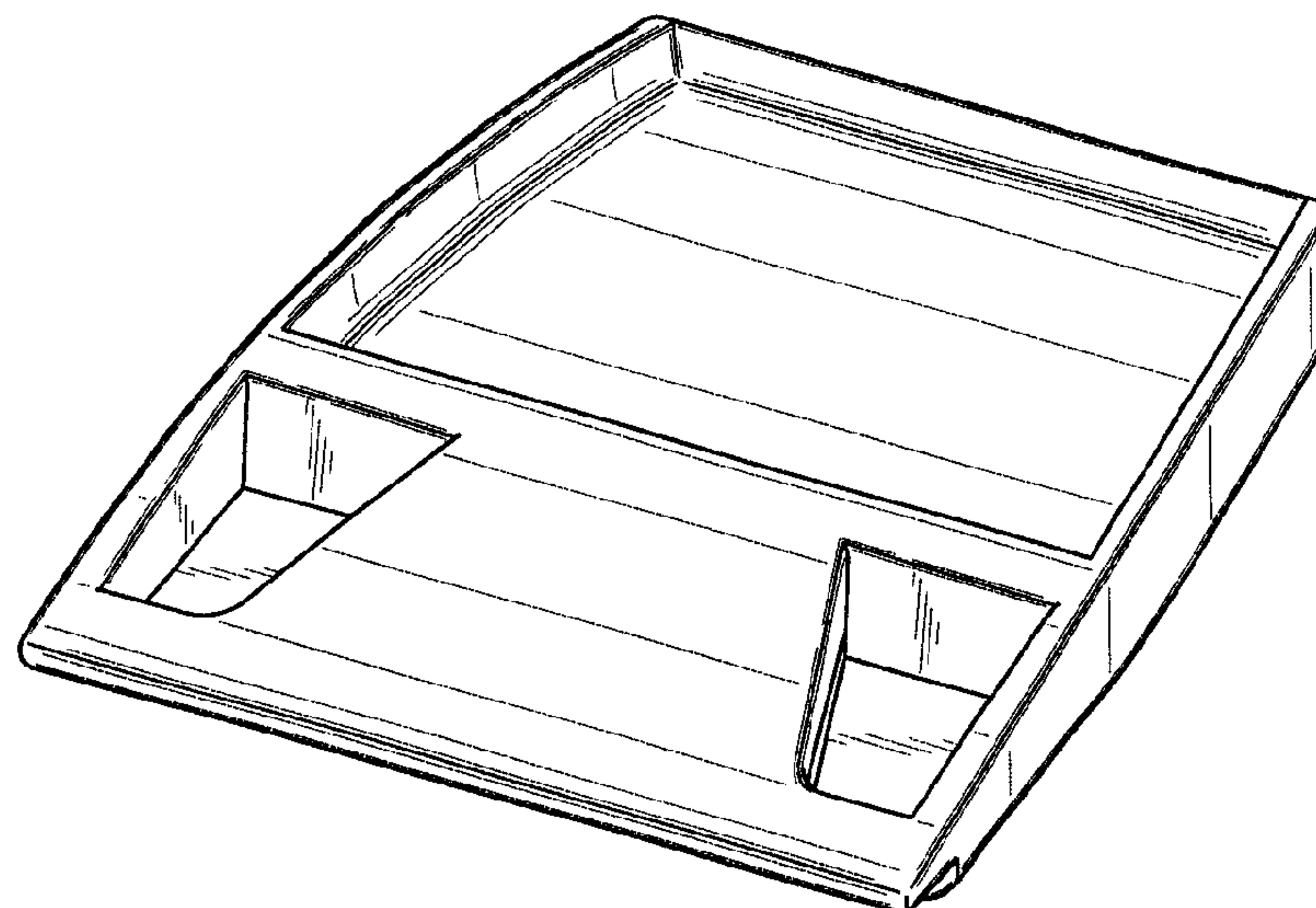
The ornamental design for a holder for a plastic razor blade, as shown and described.

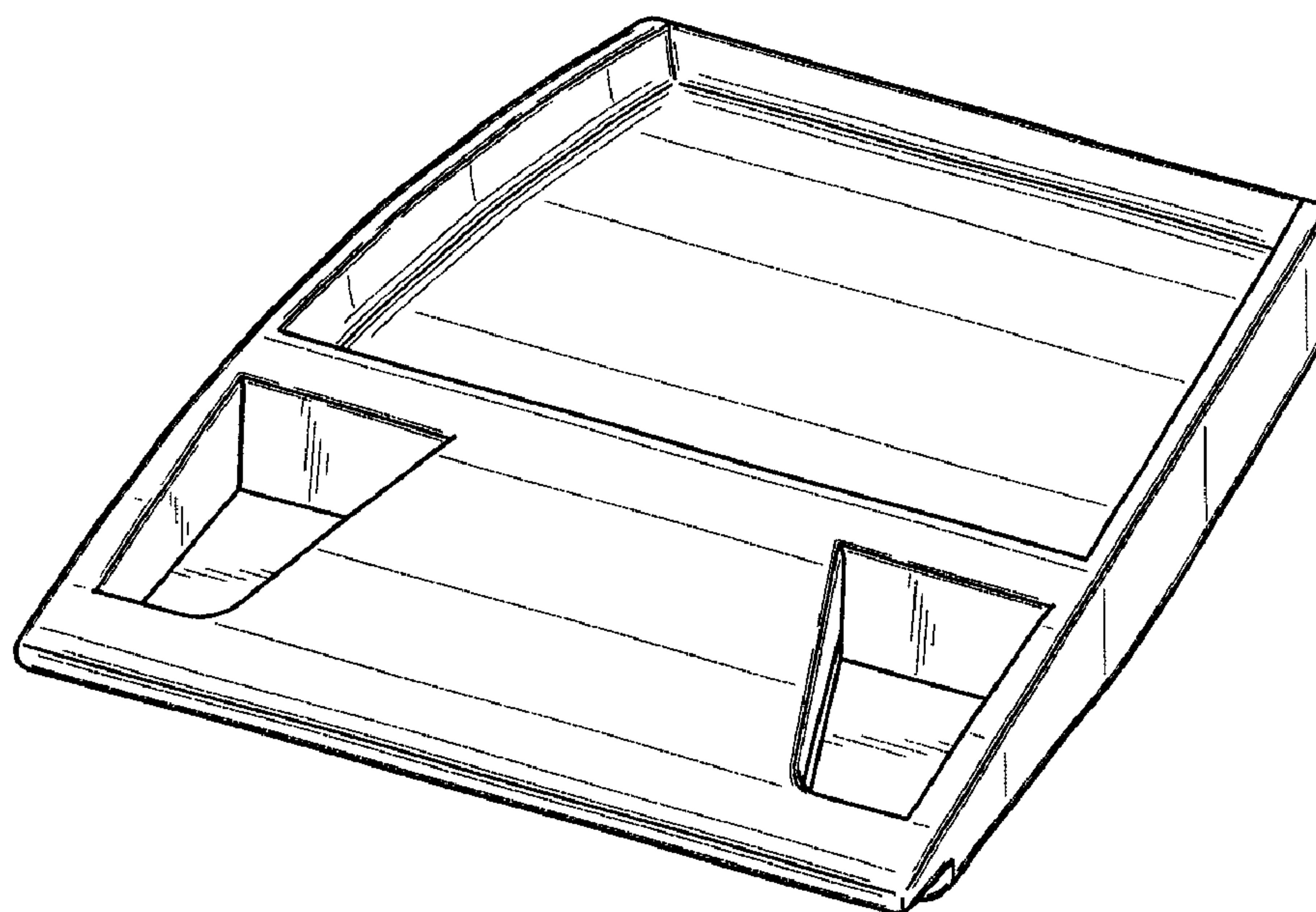
**DESCRIPTION**

FIG. 1 is a top perspective view of a holder for a plastic razor blade showing my new design;  
FIG. 2 is a bottom perspective view of the holder in FIG. 1 showing my new design;  
FIG. 3 is a front view of the holder design shown in FIG. 1;  
FIG. 4 is a back view of the holder design shown in FIG. 1;  
FIG. 5 is a left side view of the holder design shown in FIG. 1, the right side view being the same;  
FIG. 6 is a top side view of the holder design shown in FIG. 1; and,  
FIG. 7 is a bottom view of the holder design shown in FIG. 1.

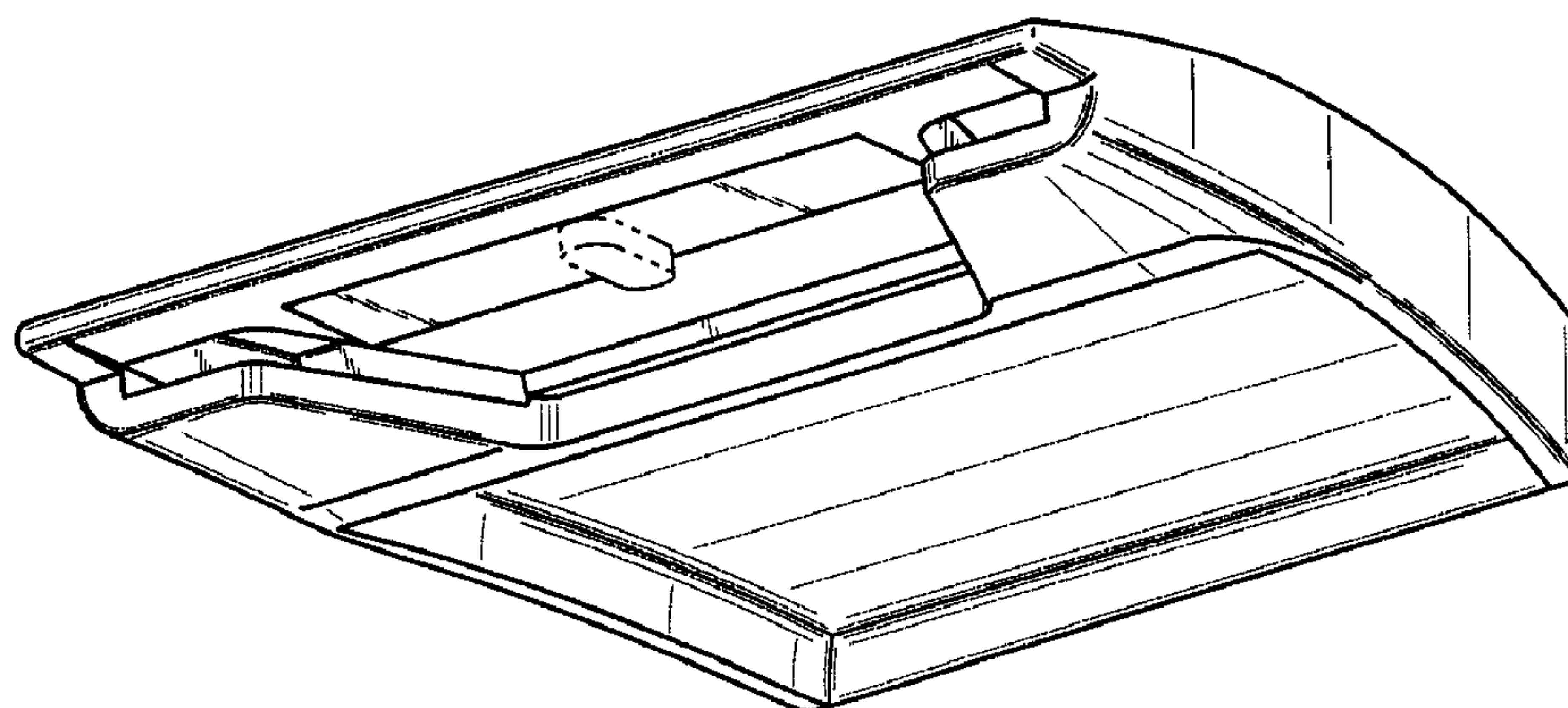
The broken line illustrations in the drawing figures of a projection for the razor blade are for illustrative purposes only and form no part of the claimed design.

**1 Claim, 4 Drawing Sheets**

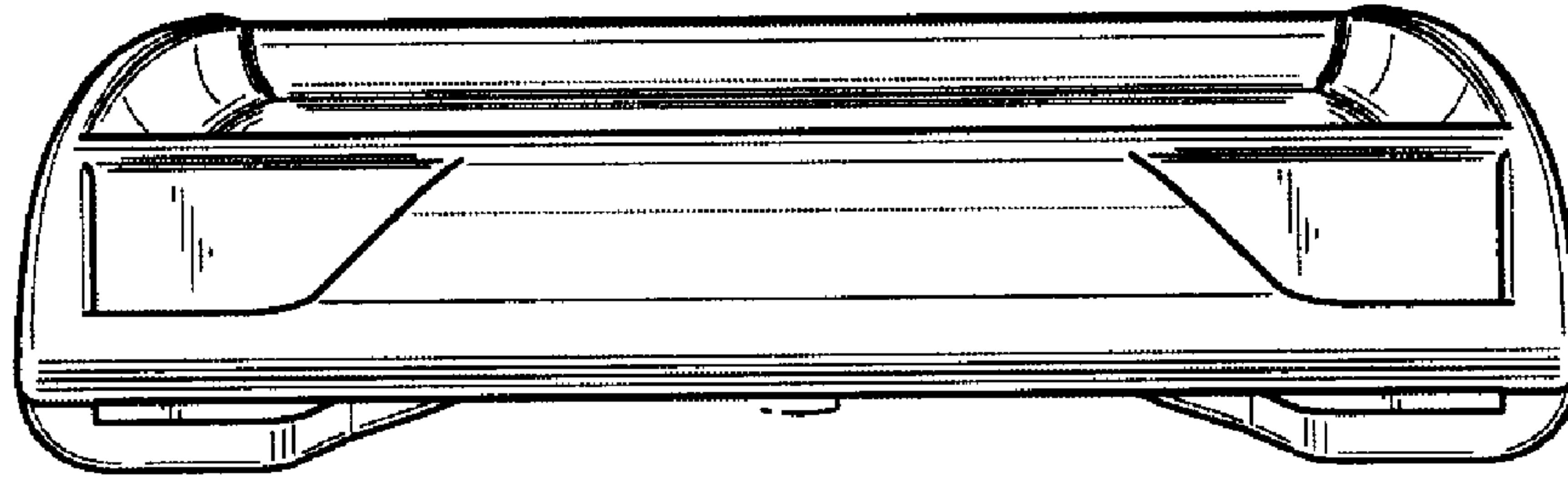




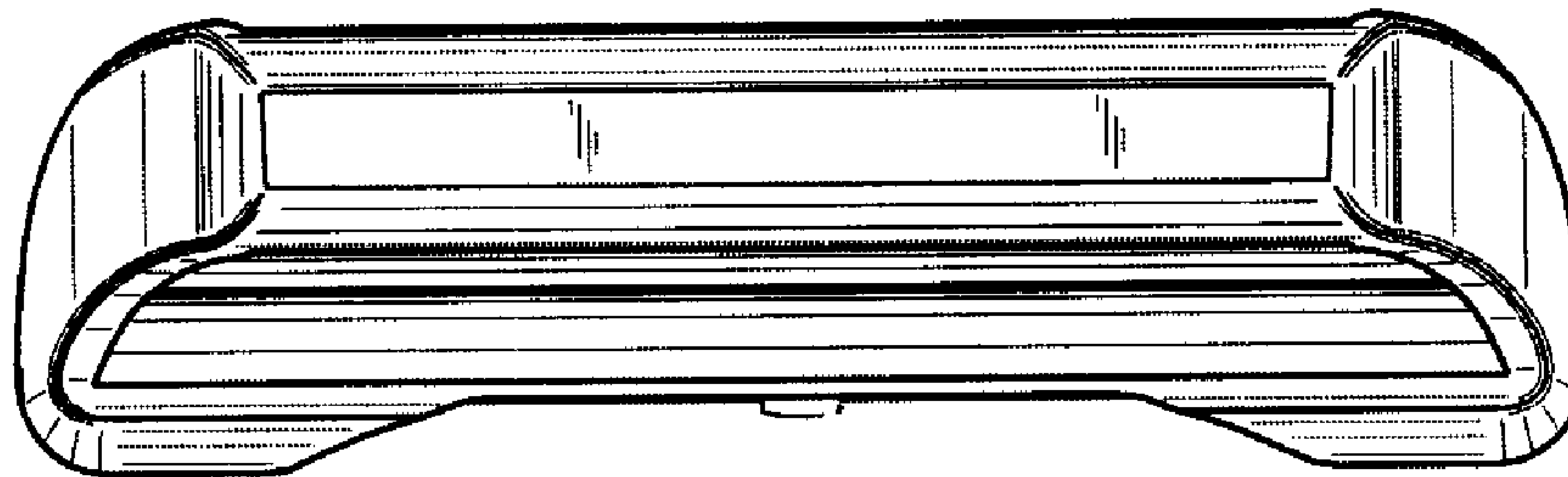
*Fig. 1*



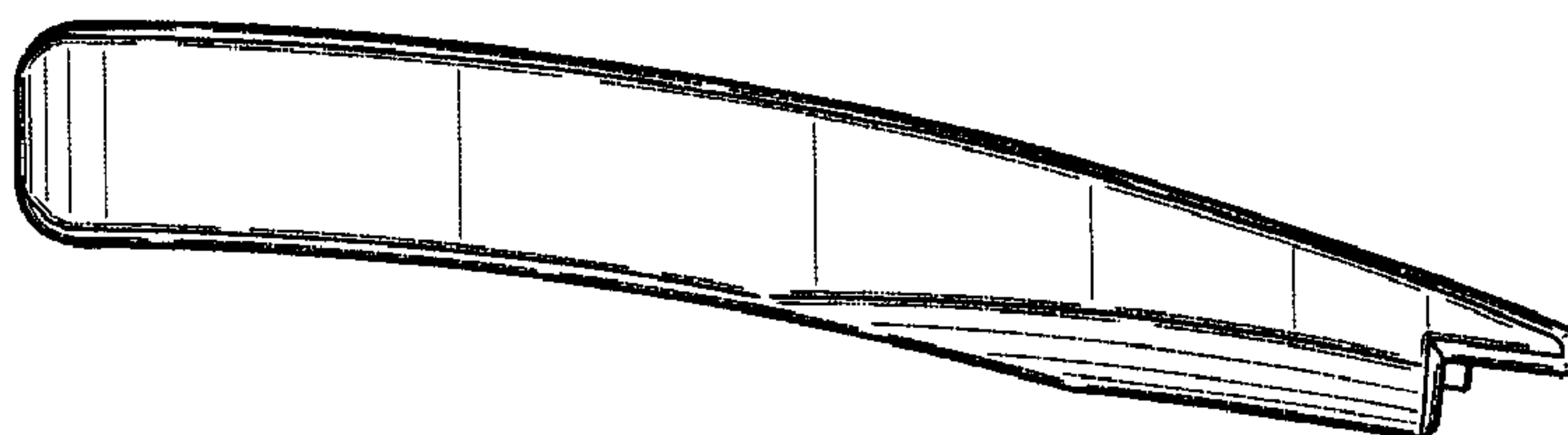
*Fig. 2*



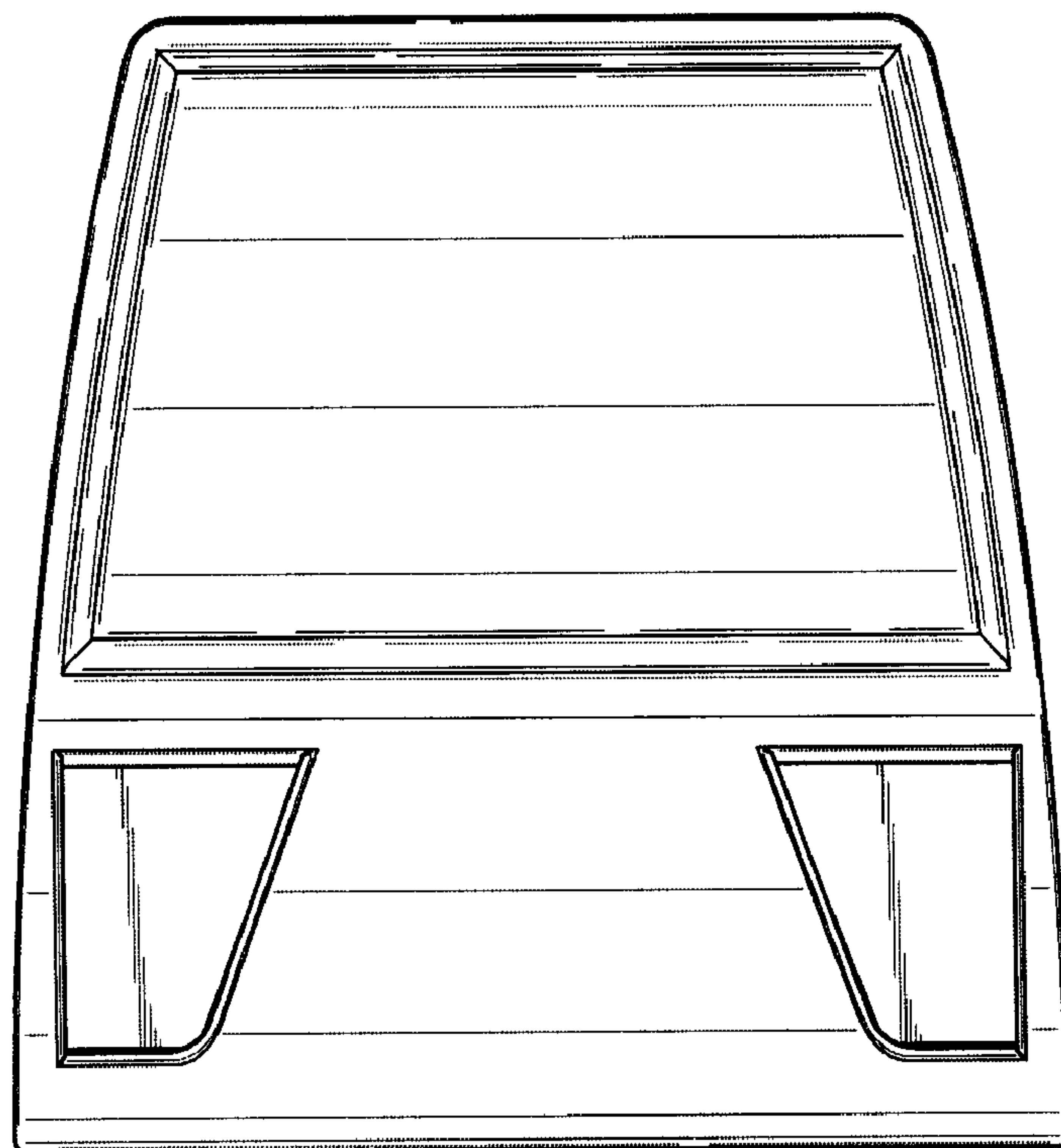
*Fig. 3*



*Fig. 4*

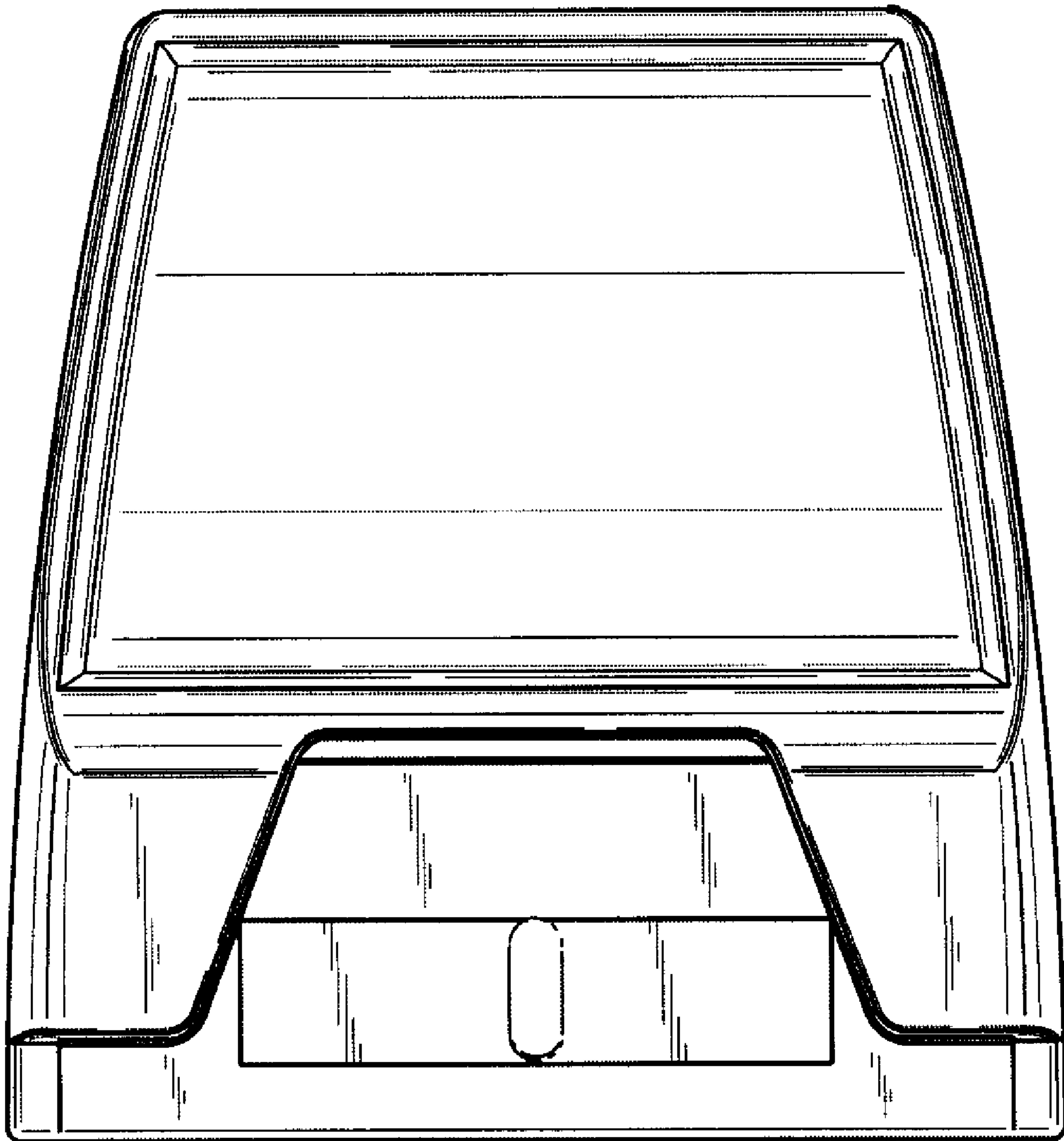


*Fig. 5*



*Fig. 6*





*Fig. 7*