



US00D523350S

(12) **United States Design Patent**  
**Ohmoto et al.**

(10) **Patent No.:** **US D523,350 S**

(45) **Date of Patent:** **\*\* Jun. 20, 2006**

(54) **COSMETIC CONTAINER**

(75) Inventors: **Miwa Ohmoto**, Kobe (JP); **Masumi Yoshida**, Nishinomiya (JP)

(73) Assignee: **The Procter & Gamble Company**, Cincinnati, OH (US)

(\*\*) Term: **14 Years**

(21) Appl. No.: **29/232,563**

(22) Filed: **Jun. 21, 2005**

(30) **Foreign Application Priority Data**

Dec. 22, 2004 (GB) ..... 3019862

(51) **LOC (8) Cl.** ..... **09-01**

(52) **U.S. Cl.** ..... **D9/690**

(58) **Field of Classification Search** ..... D9/690,  
D9/686-689, 694, 695; D22/117; D24/110,  
D24/114, 115; D28/91.1, 402.1

See application file for complete search history.

(56) **References Cited**

**U.S. PATENT DOCUMENTS**

- D281,054 S \* 10/1985 Menrad ..... D9/688
- D310,723 S \* 9/1990 Su ..... D24/110
- D364,669 S \* 11/1995 Winner ..... D22/117
- D412,661 S \* 8/1999 Lavigne ..... D9/690
- D458,143 S \* 6/2002 Ackerman ..... D9/549

\* cited by examiner

*Primary Examiner*—Stella Reid  
*Assistant Examiner*—Rashida C. McCoy  
(74) *Attorney, Agent, or Firm*—Juliet A. Jones

(57) **CLAIM**

The ornamental design for a cosmetic container, as shown and described.

**DESCRIPTION**

FIG. 1 is a perspective view of a cosmetic container, embodying our new design, showing a cover piece in a fully closed position;

FIG. 2 is a front view thereof;

FIG. 3 is a back view thereof;

FIG. 4 is a left side view thereof;

FIG. 5 is a right side view thereof;

FIG. 6 is a top plan view thereof;

FIG. 7 is a bottom view thereof;

FIG. 8 is a perspective view of the container showing the cover piece in a fully open position;

FIG. 9 is a front view thereof;

FIG. 10 is a back view thereof;

FIG. 11 is a left side view thereof;

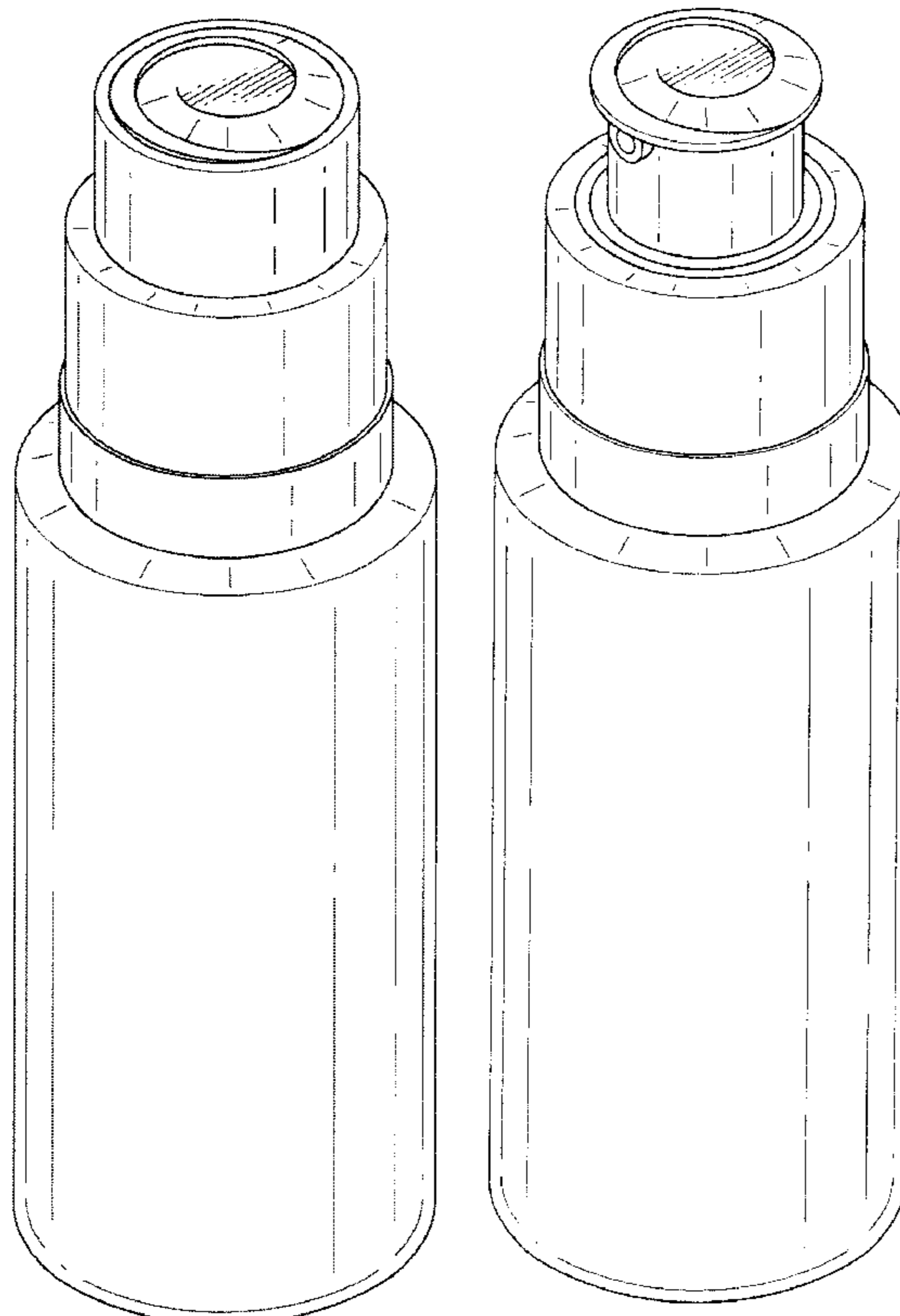
FIG. 12 is a right side view thereof;

FIG. 13 is a top plan view thereof;

FIG. 14 is a bottom view thereof; and,

FIG. 15 is a perspective view of the container showing the cover piece in a half open position.

**1 Claim, 9 Drawing Sheets**



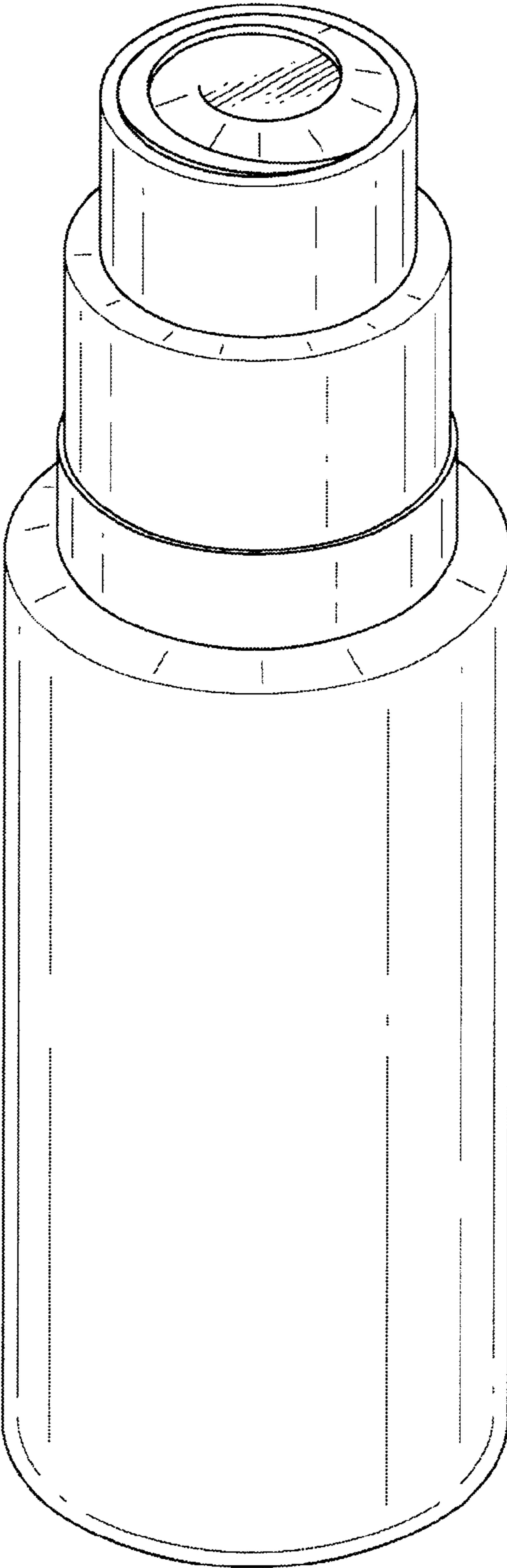


Fig. 1

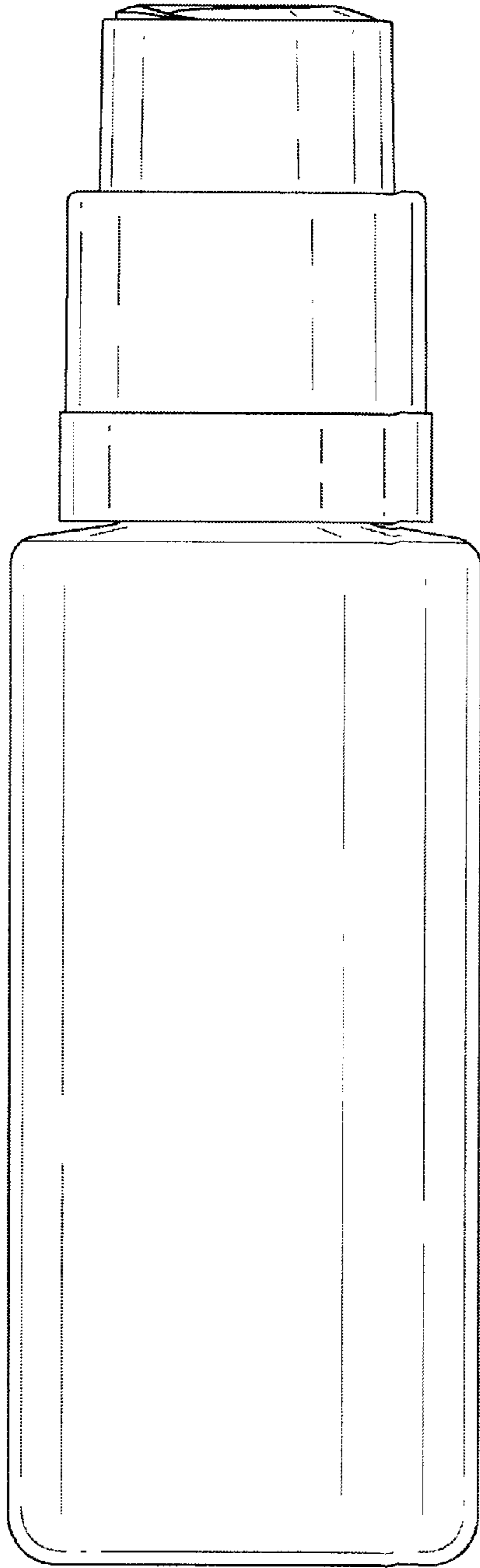


Fig. 2

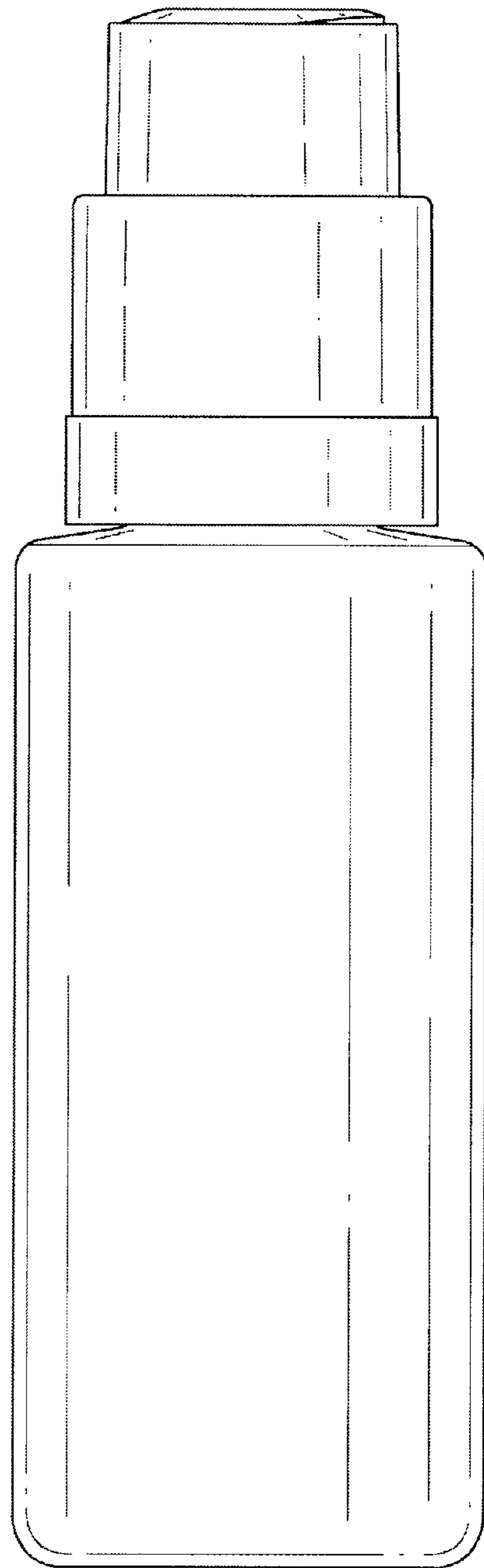


Fig. 3

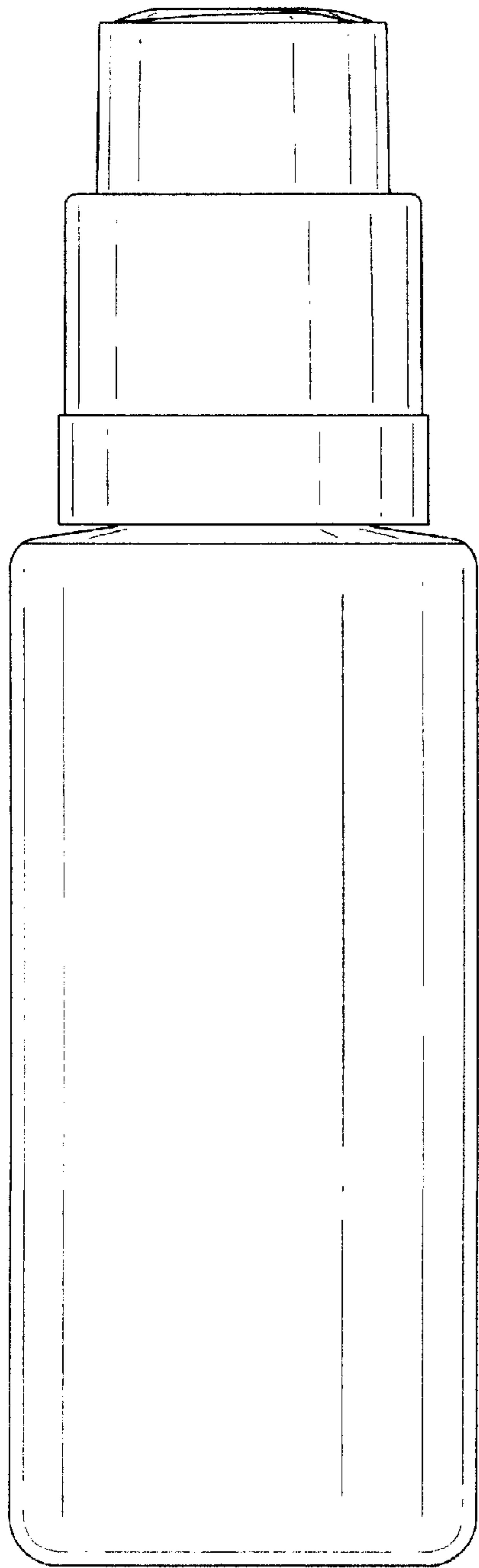


Fig. 4

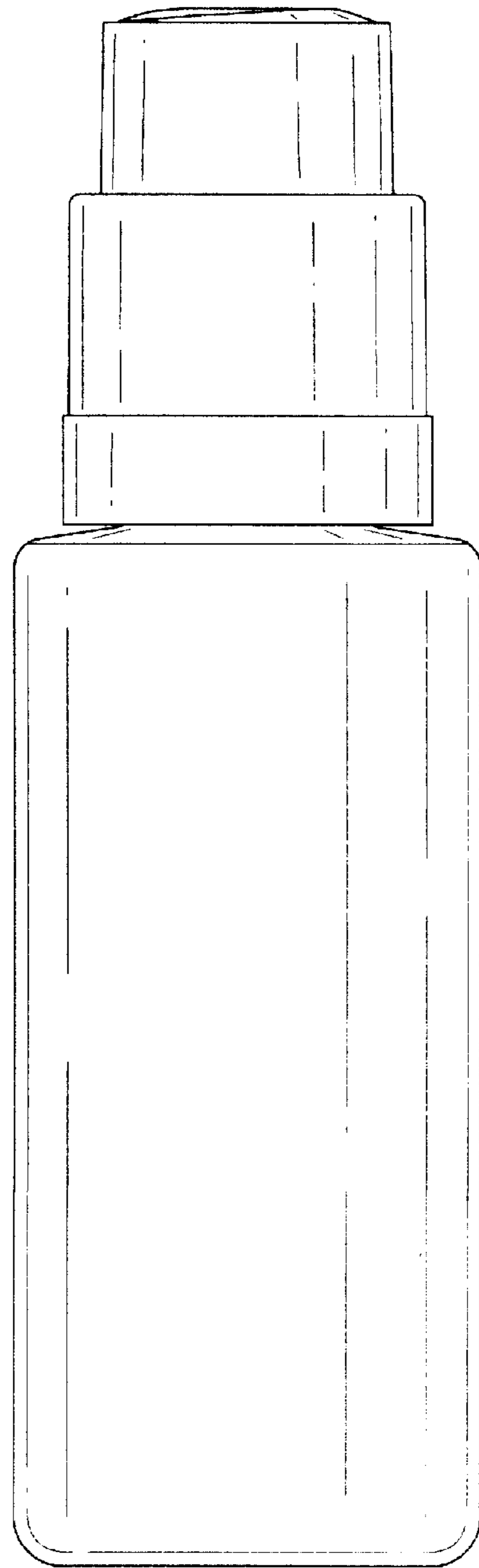


Fig. 5

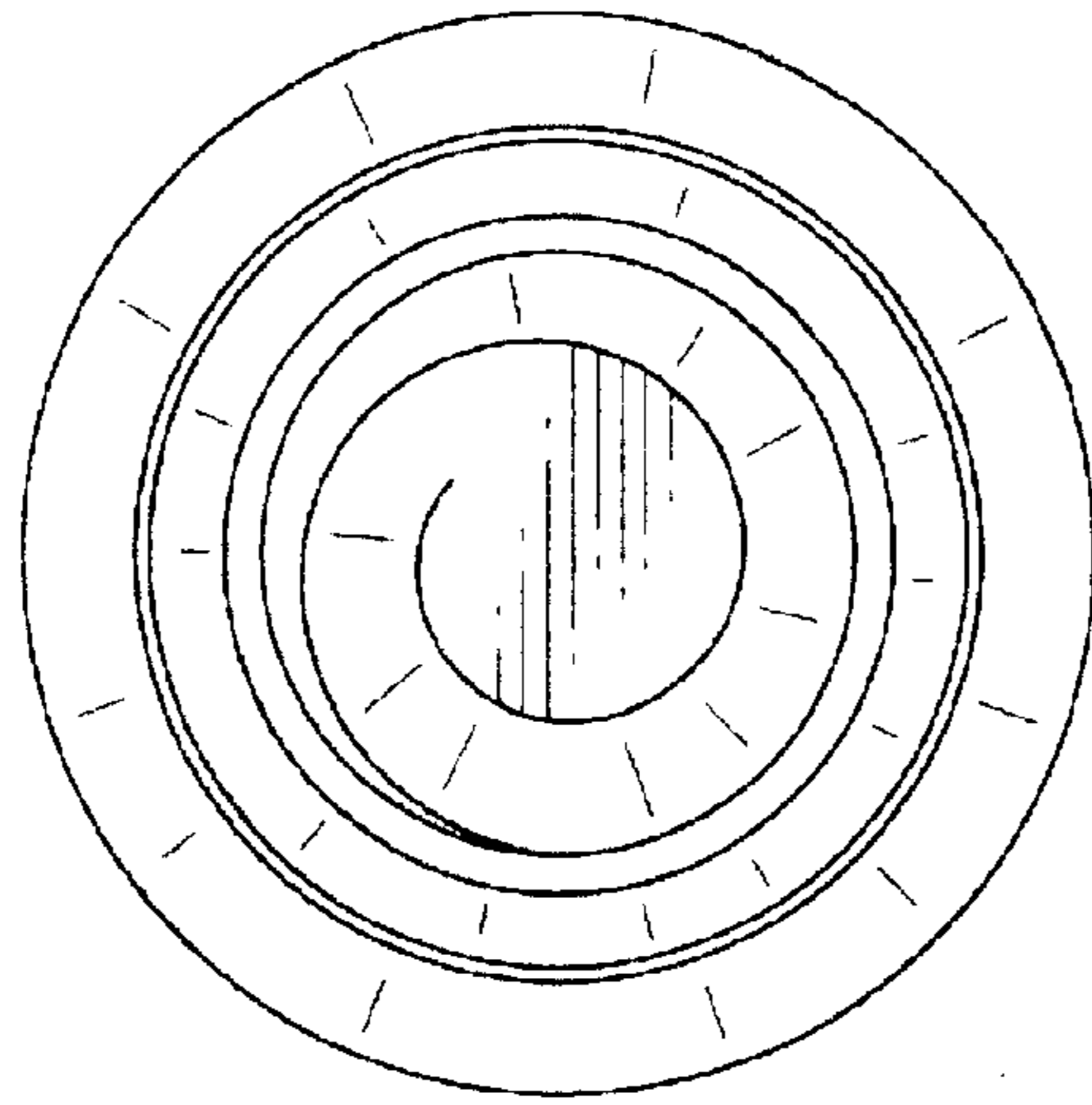


Fig. 6

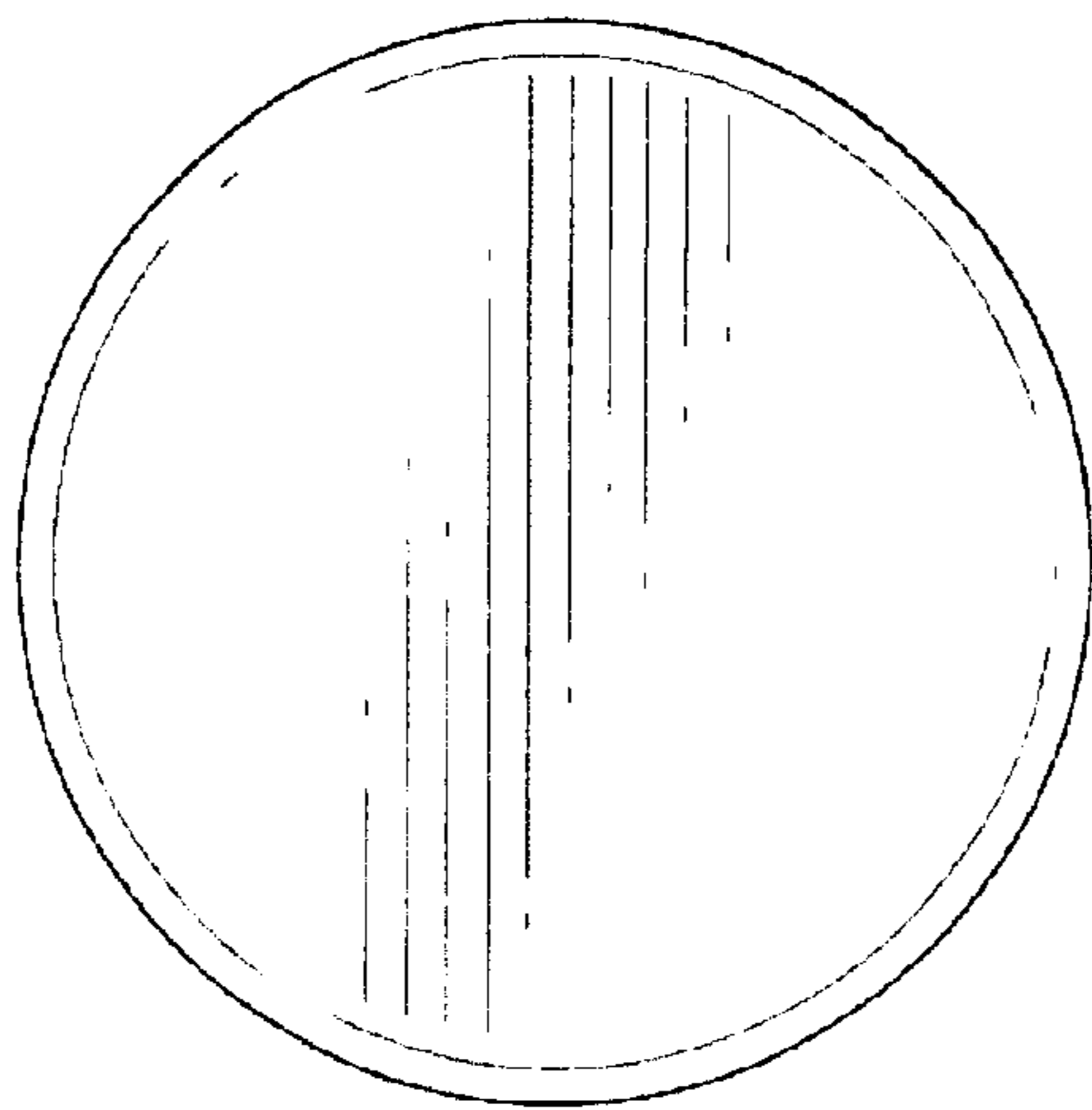


Fig. 7

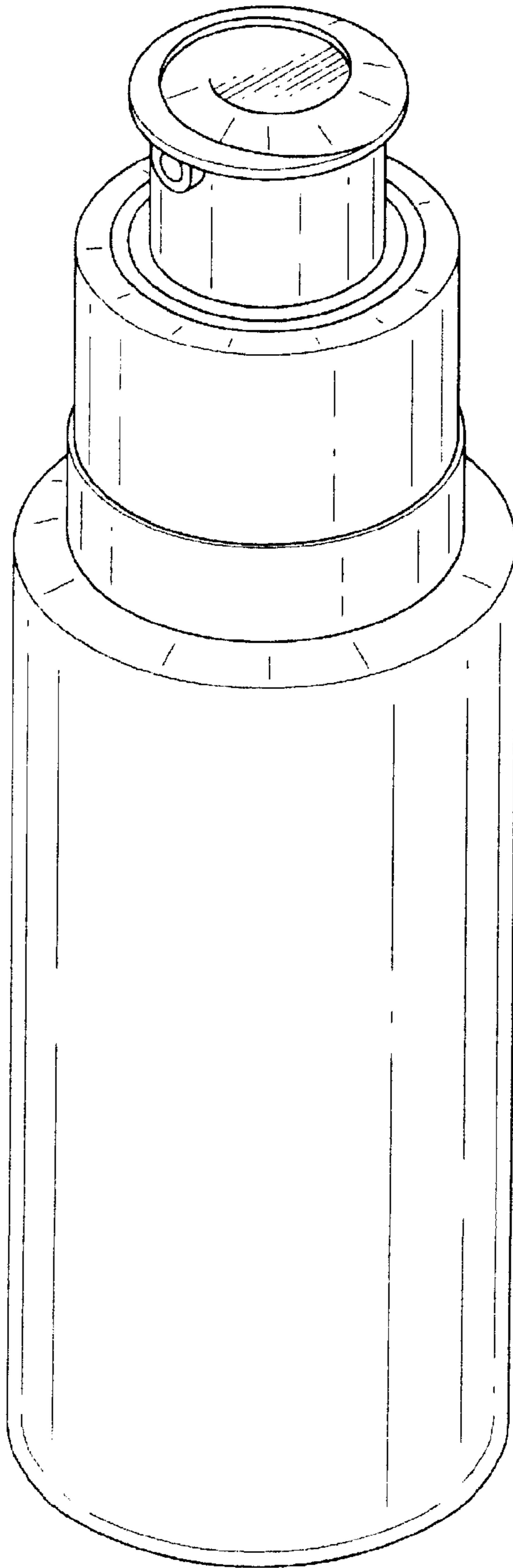


Fig. 8

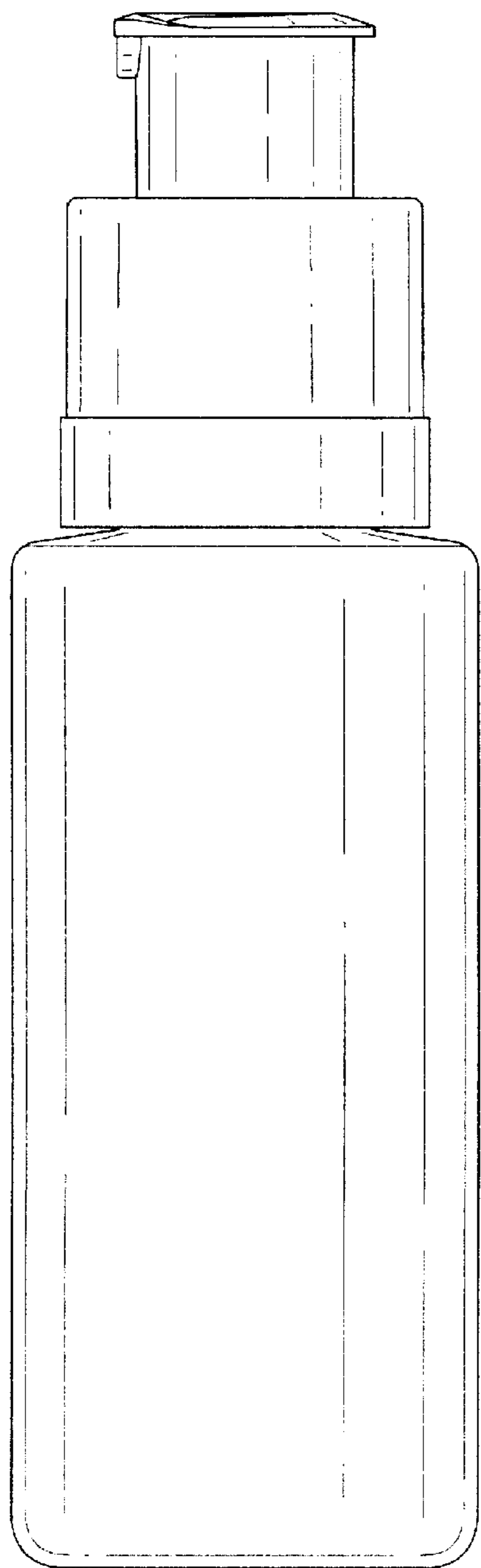


Fig. 9

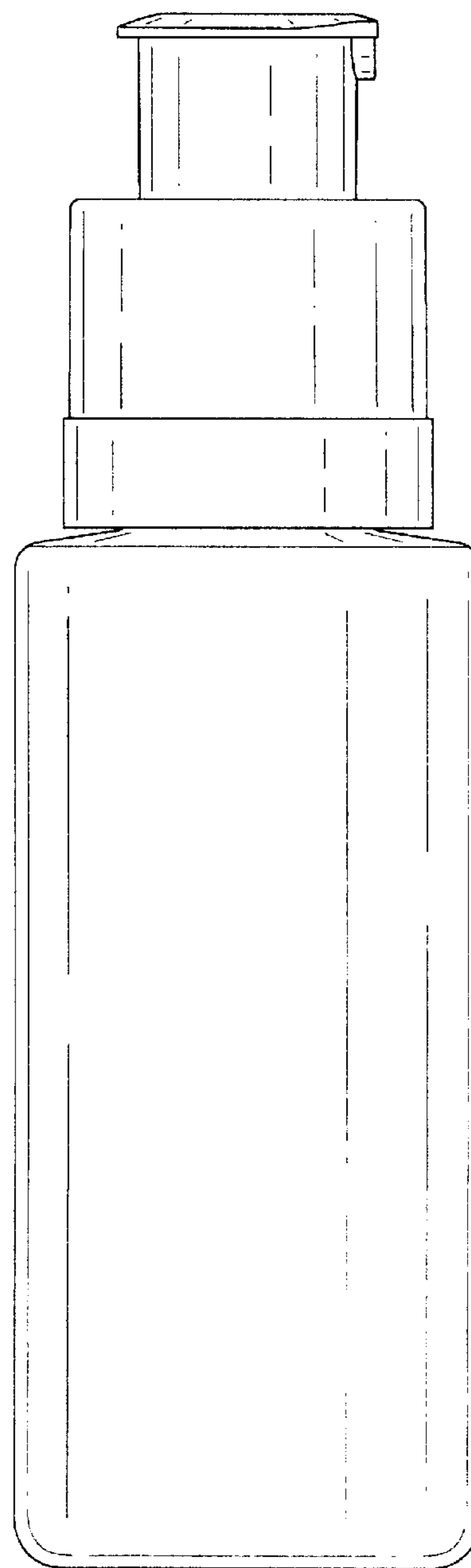


Fig. 10

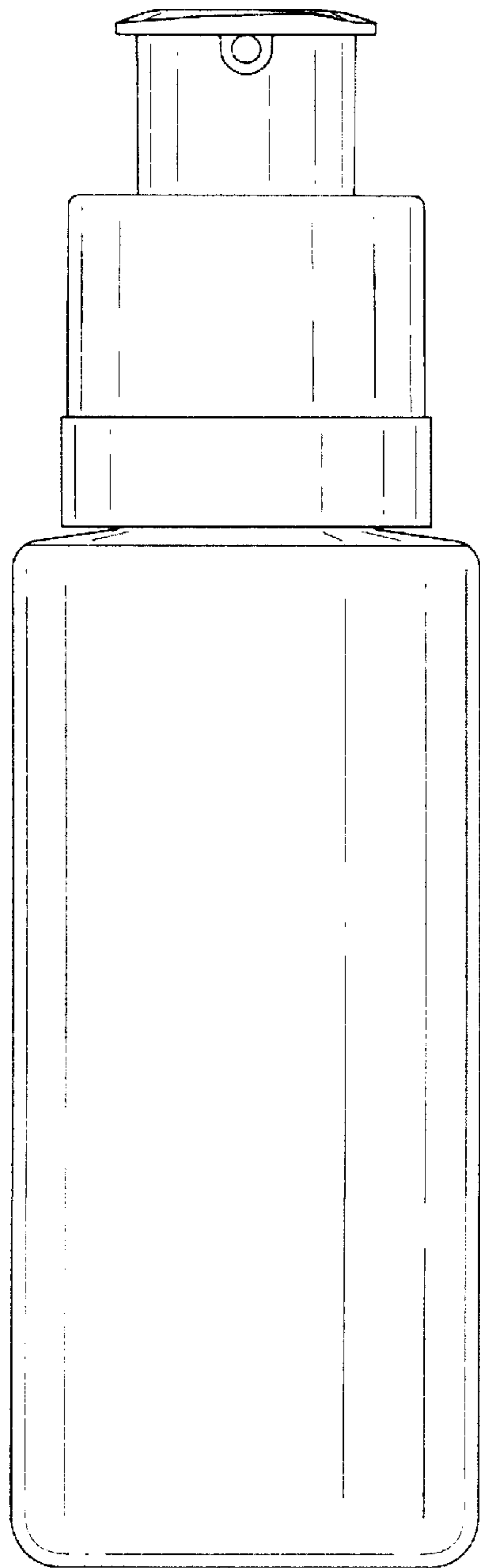


Fig. 11

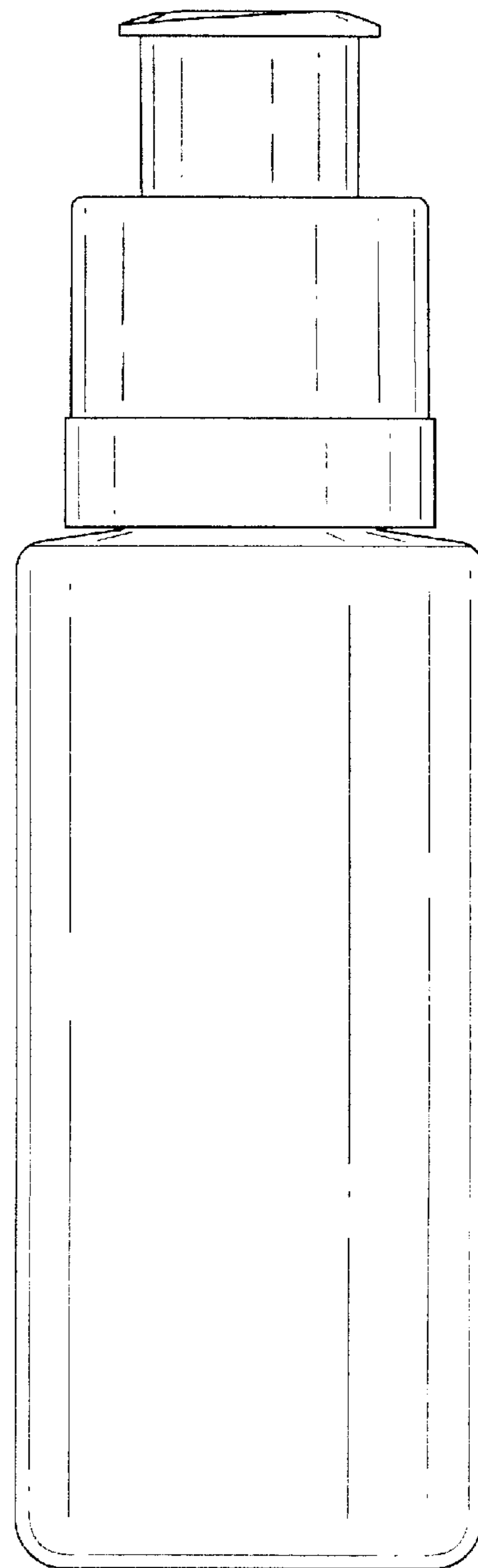


Fig. 12



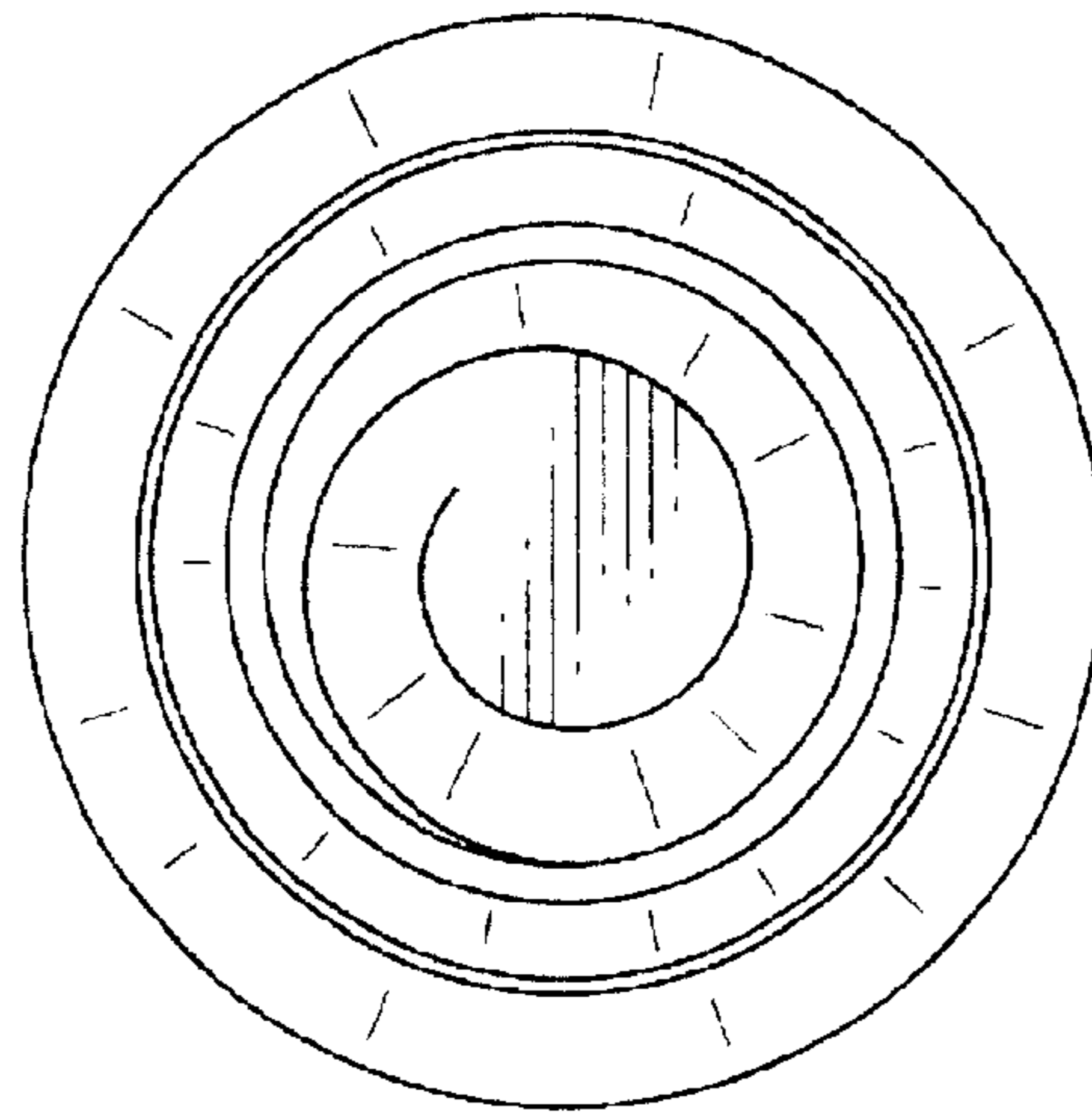


Fig. 13

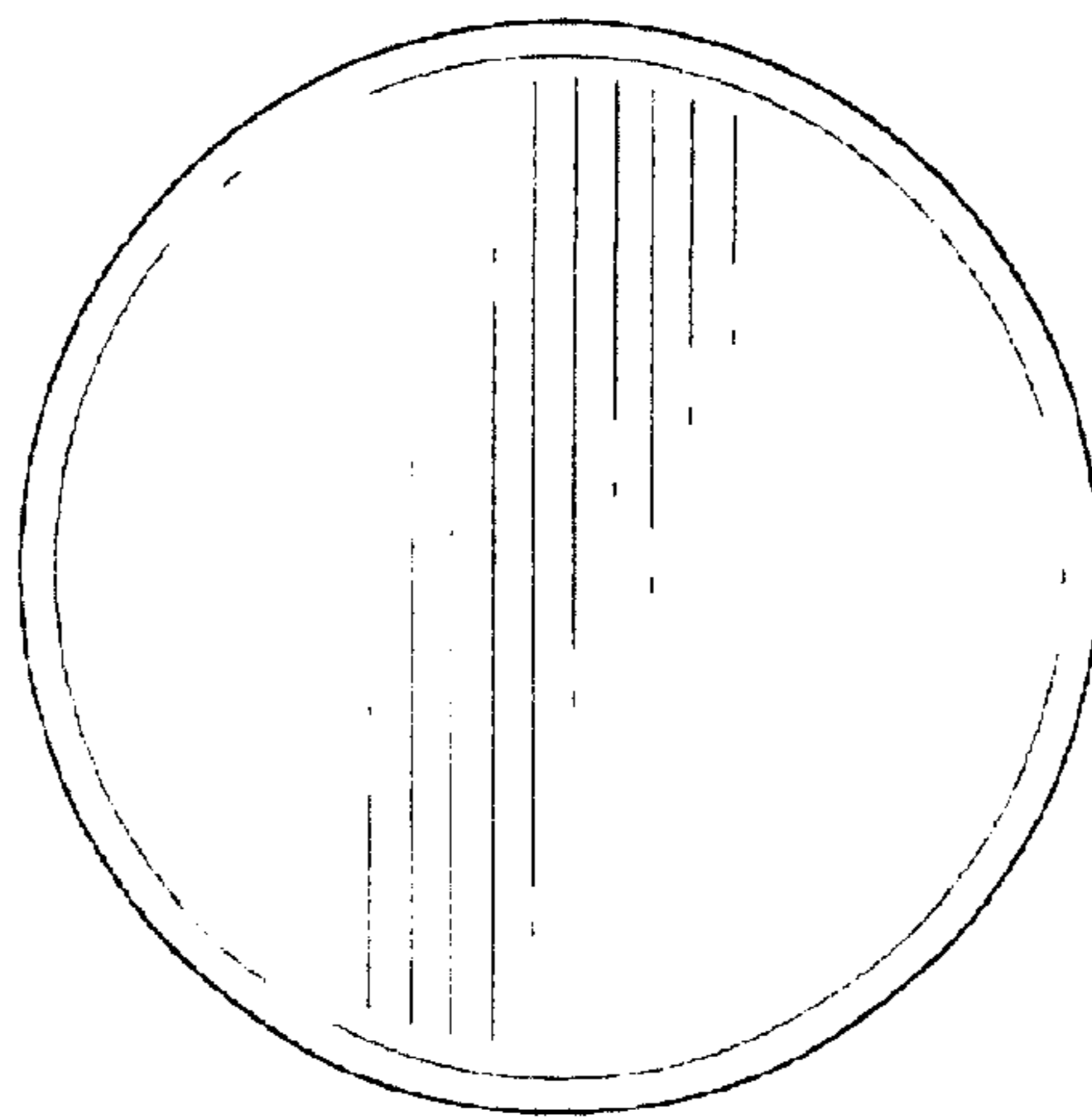


Fig. 14

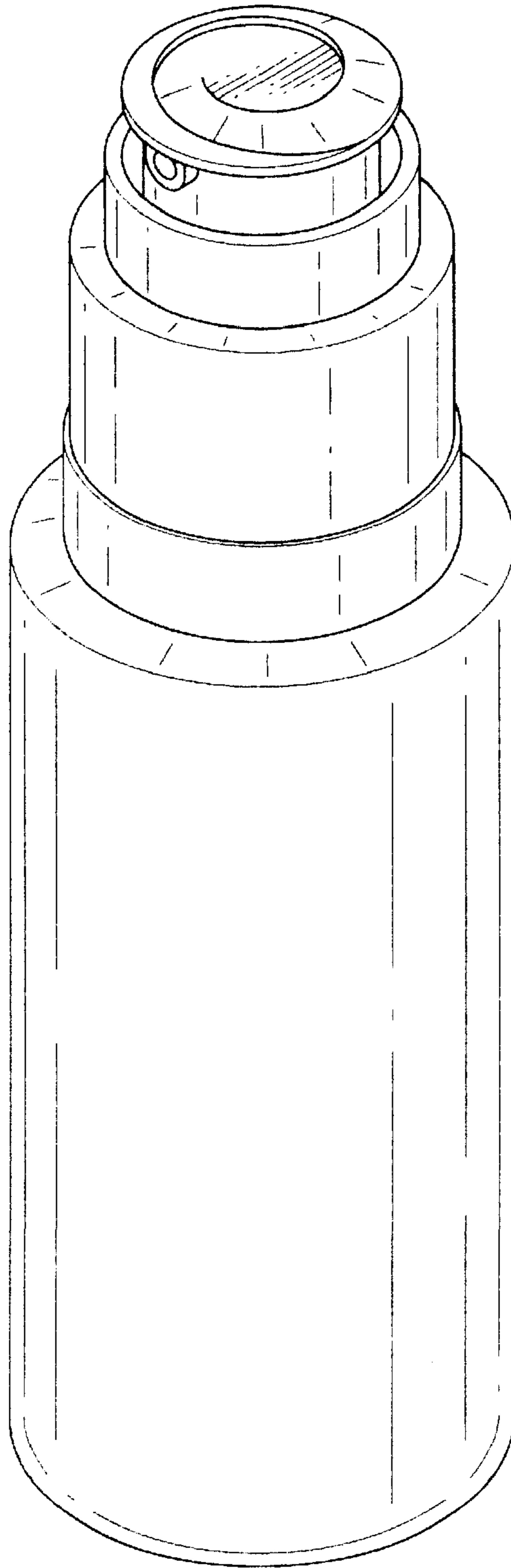


Fig. 15