



US00D523338S

(12) **United States Design Patent**  
**Hoge et al.**

(10) **Patent No.:** **US D523,338 S**  
(45) **Date of Patent:** **\*\* Jun. 20, 2006**

(54) **SHIPPING TRAY FOR MULTIPLE CARTRIDGES**  
(75) Inventors: **David T. Hoge**, Westminster, CO (US);  
**James J. Kuhar**, Broomfield, CO (US)

(73) Assignee: **Quantum Corporation**, San Jose, CA (US)

(\*\*) Term: **14 Years**

(21) Appl. No.: **29/238,325**

(22) Filed: **Sep. 13, 2005**

(51) **LOC (8) Cl.** ..... **09-07**

(52) **U.S. Cl.** ..... **D9/456**

(58) **Field of Classification Search** ..... D9/457,  
D9/456, 432, 425, 424, 756; D7/357; D3/319,  
D3/311-314, 304; 220/500; 211/73, 59.4;  
206/564, 519, 518, 504, 499, 496, 427, 391,  
206/356, 354, 265, 203

See application file for complete search history.

(56) **References Cited**

**U.S. PATENT DOCUMENTS**

|               |         |              |         |
|---------------|---------|--------------|---------|
| 3,642,168 A * | 2/1972  | Wiley et al. | 206/518 |
| D240,900 S *  | 8/1976  | Rogers       | D9/456  |
| D241,403 S *  | 9/1976  | Holmquist    | D7/357  |
| D244,580 S *  | 6/1977  | Keough       | D9/456  |
| D244,581 S *  | 6/1977  | Keough       | D9/456  |
| D309,971 S *  | 8/1990  | Quong        | D3/311  |
| 5,131,543 A   | 7/1992  | Stephens     |         |
| 5,226,543 A   | 7/1993  | Foos et al.  |         |
| 5,249,685 A   | 10/1993 | Stephens     |         |

|              |         |                 |              |
|--------------|---------|-----------------|--------------|
| 5,739,168 A  | 4/1998  | Hioki et al.    |              |
| 6,010,007 A  | 1/2000  | Moren et al.    |              |
| 6,123,200 A  | 9/2000  | Stephens et al. |              |
| 6,142,304 A  | 11/2000 | Moren et al.    |              |
| RE37,253 E   | 7/2001  | Moren et al.    |              |
| D460,691 S * | 7/2002  | Morris et al.   | ..... D9/456 |

\* cited by examiner

*Primary Examiner*—Robert M. Spear

*Assistant Examiner*—Susan Bennett Hattan

(74) *Attorney, Agent, or Firm*—Morrison & Foerster LLP

(57) **CLAIM**

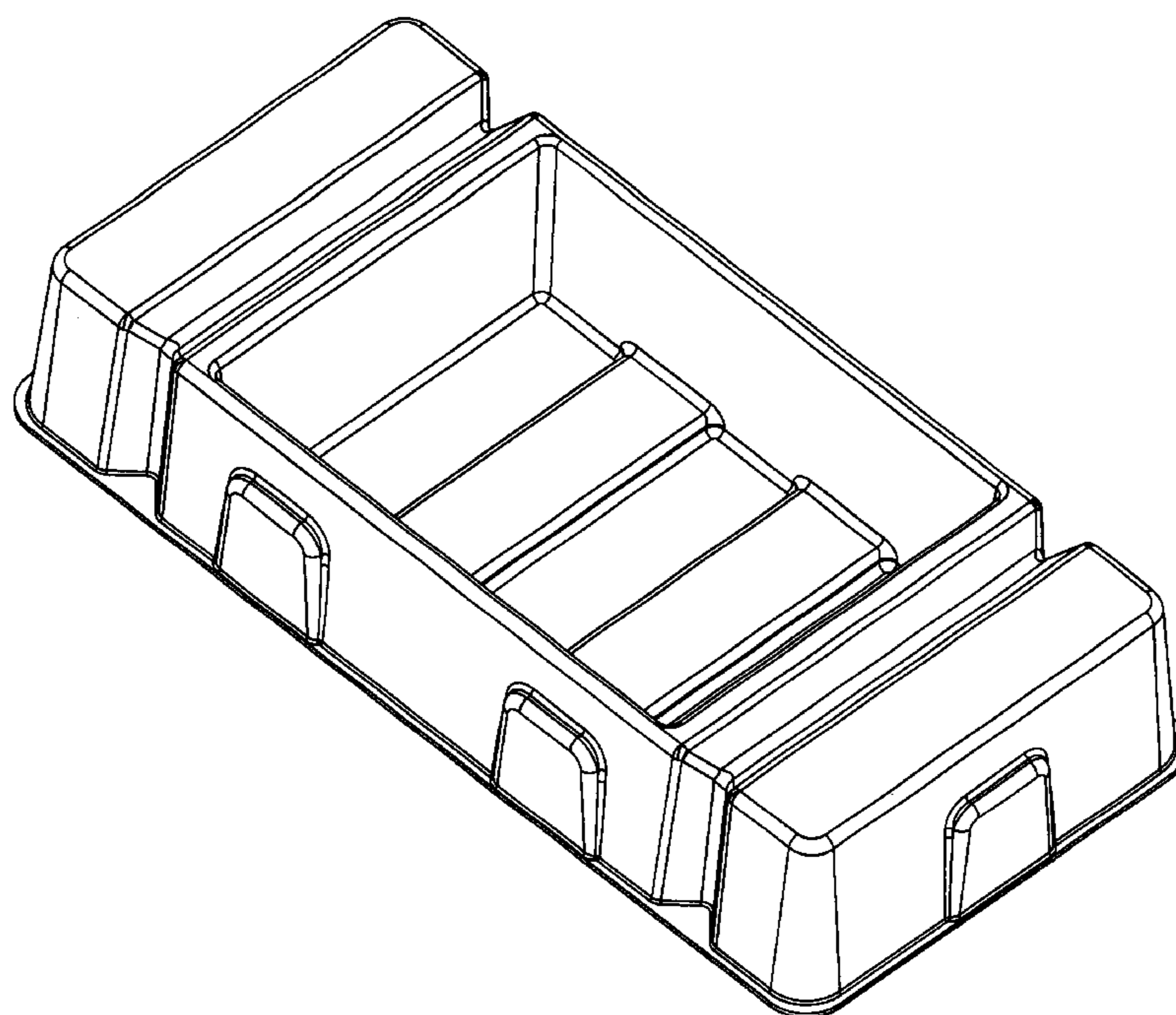
The ornamental design for a shipping tray for multiple cartridges, as shown and described.

**DESCRIPTION**

FIG. 1 is a top perspective view of a shipping tray for multiple cartridges showing our new design; FIG. 2 is a bottom perspective view thereof; FIG. 3 is a front view thereof; FIG. 4 is a side view thereof; FIG. 5 is a top view thereof; FIG. 6 is a perspective cross-sectional view thereof, taken in the direction of line 6—6 on FIG. 5; FIG. 7 is a perspective cross-sectional view thereof, taken in the direction of line 7—7 on FIG. 5; FIG. 8 is a perspective view of a shipping tray for multiple cartridges shown in use with multiple cartridges; and, FIG. 9 is another perspective view thereof.

The broken lines are for illustrative purposes only and form no part of the claimed design.

**1 Claim, 6 Drawing Sheets**



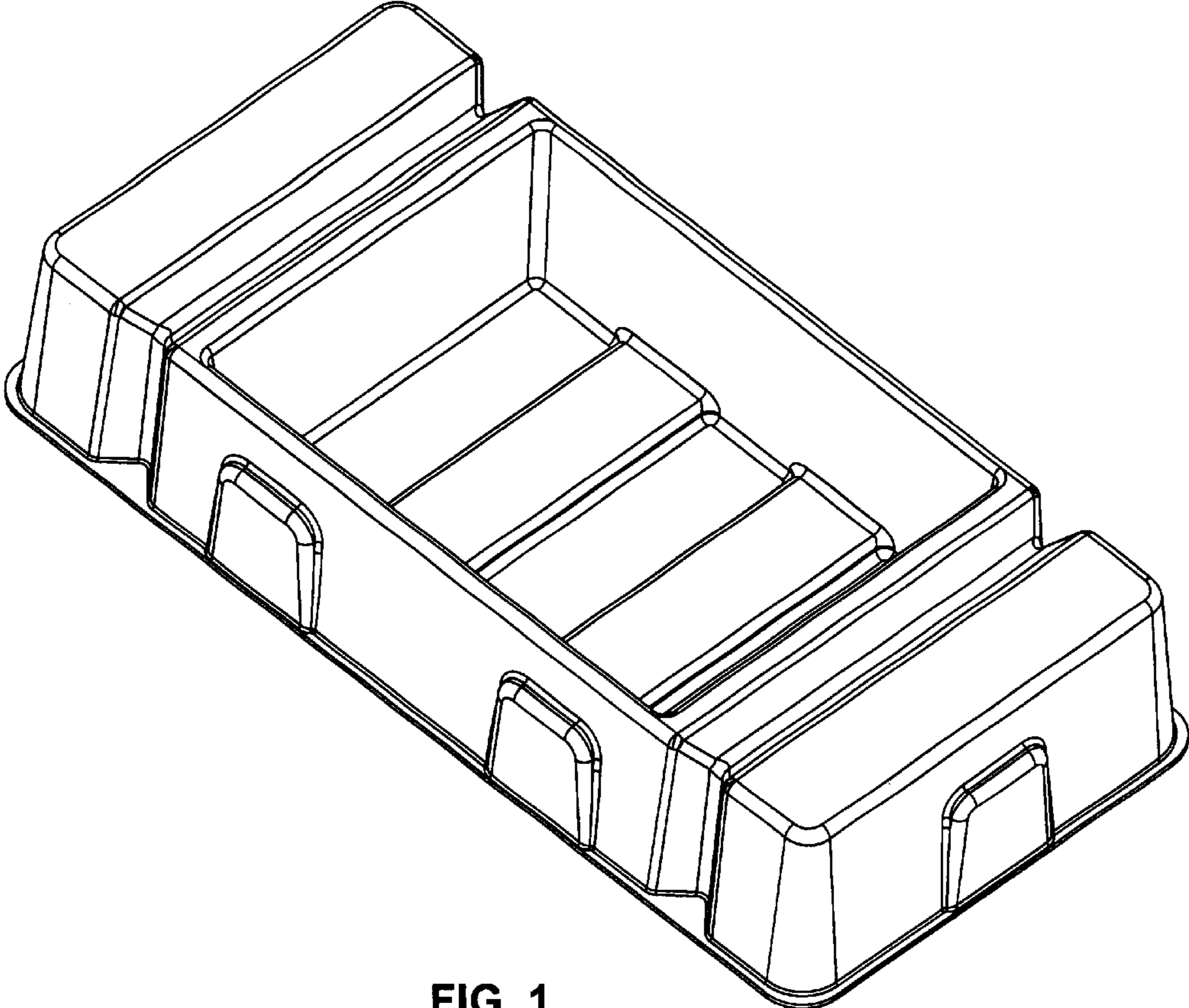


FIG. 1

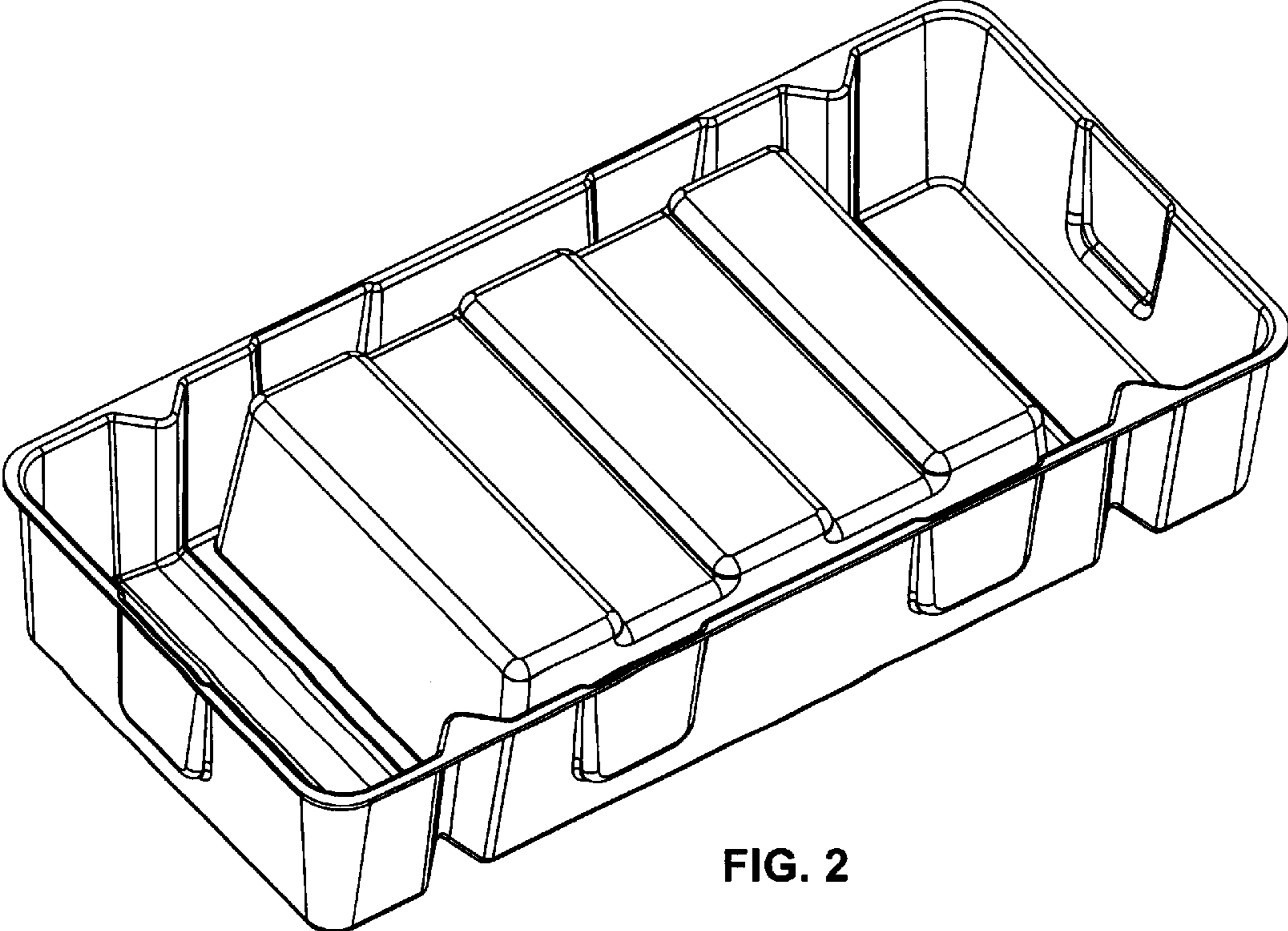


FIG. 2

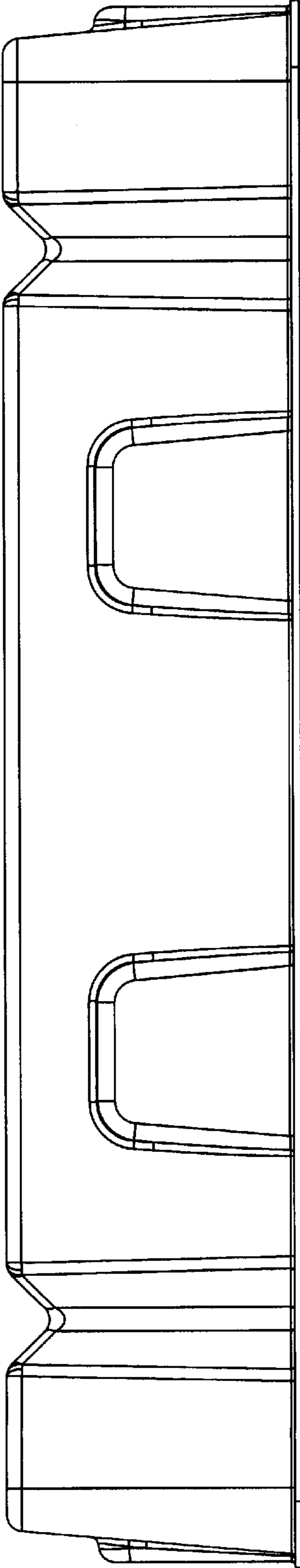


FIG. 3

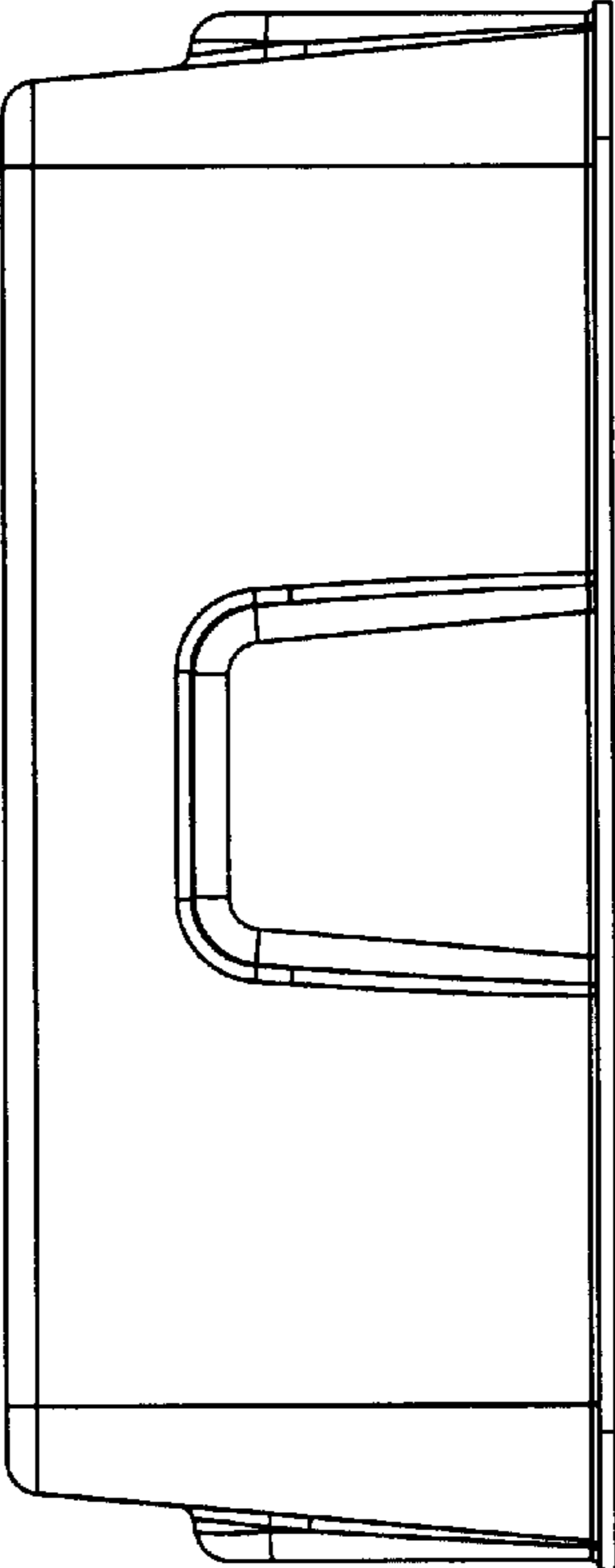
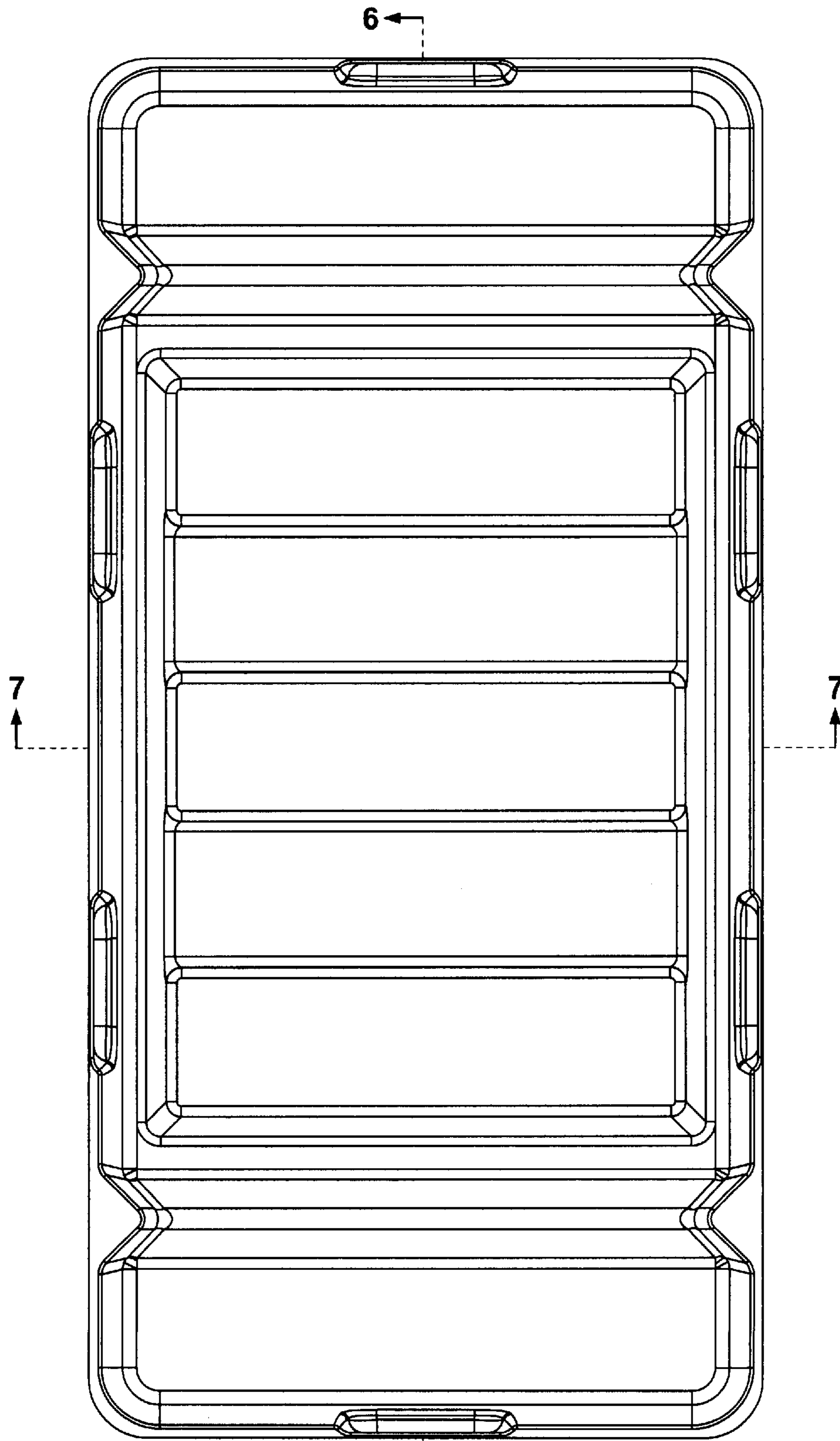


FIG. 4



6 ←  
**FIG. 5**

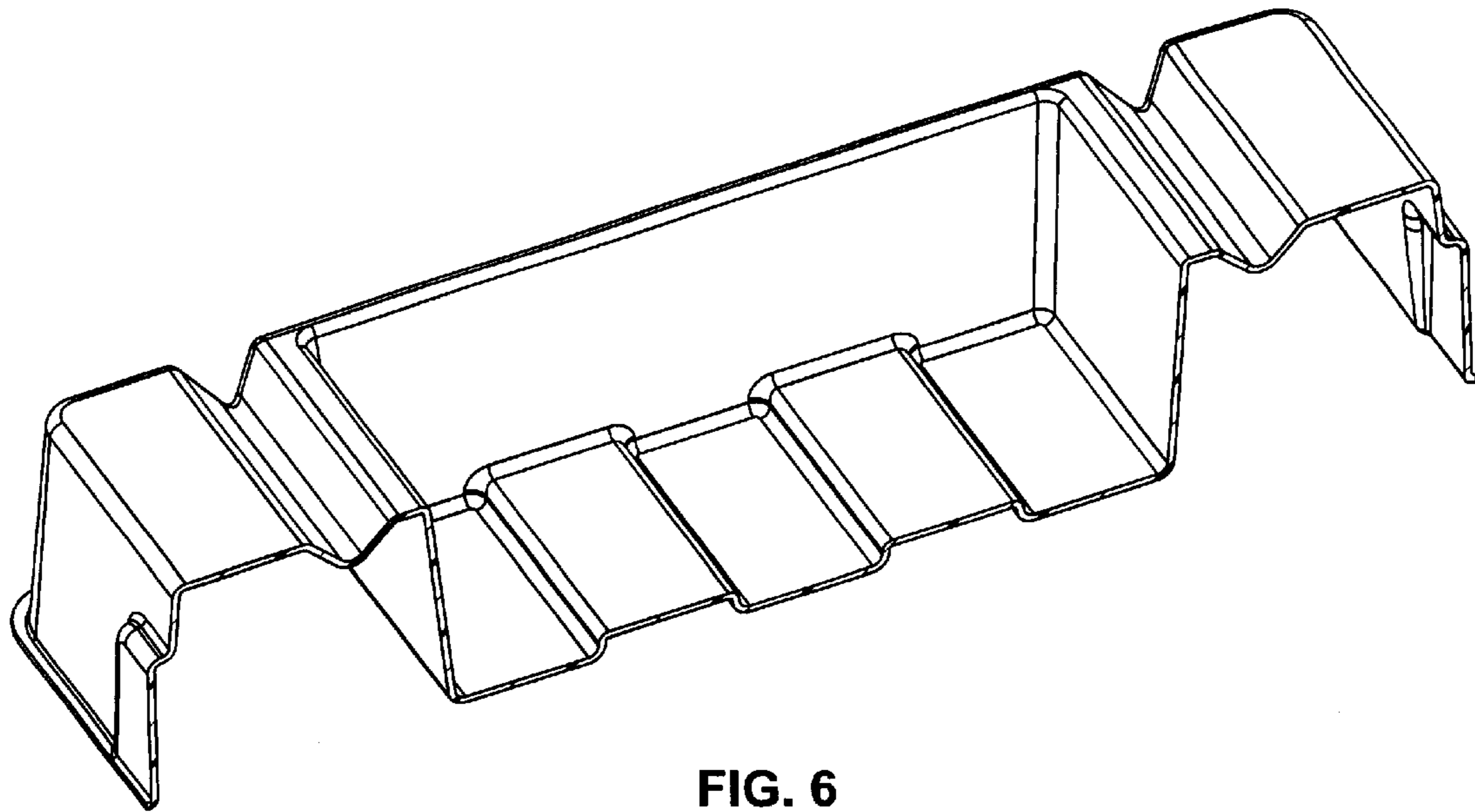


FIG. 6

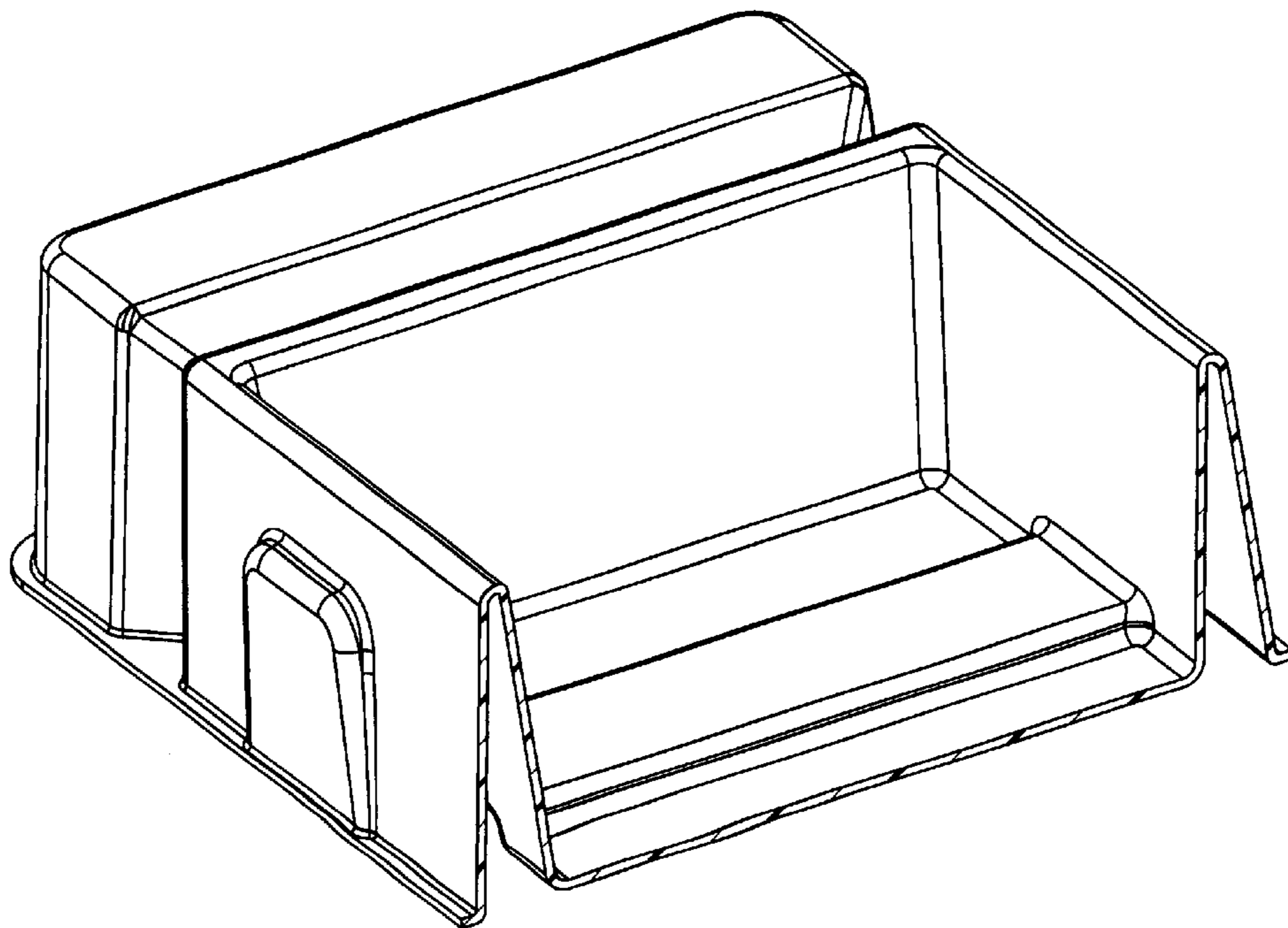


FIG. 7

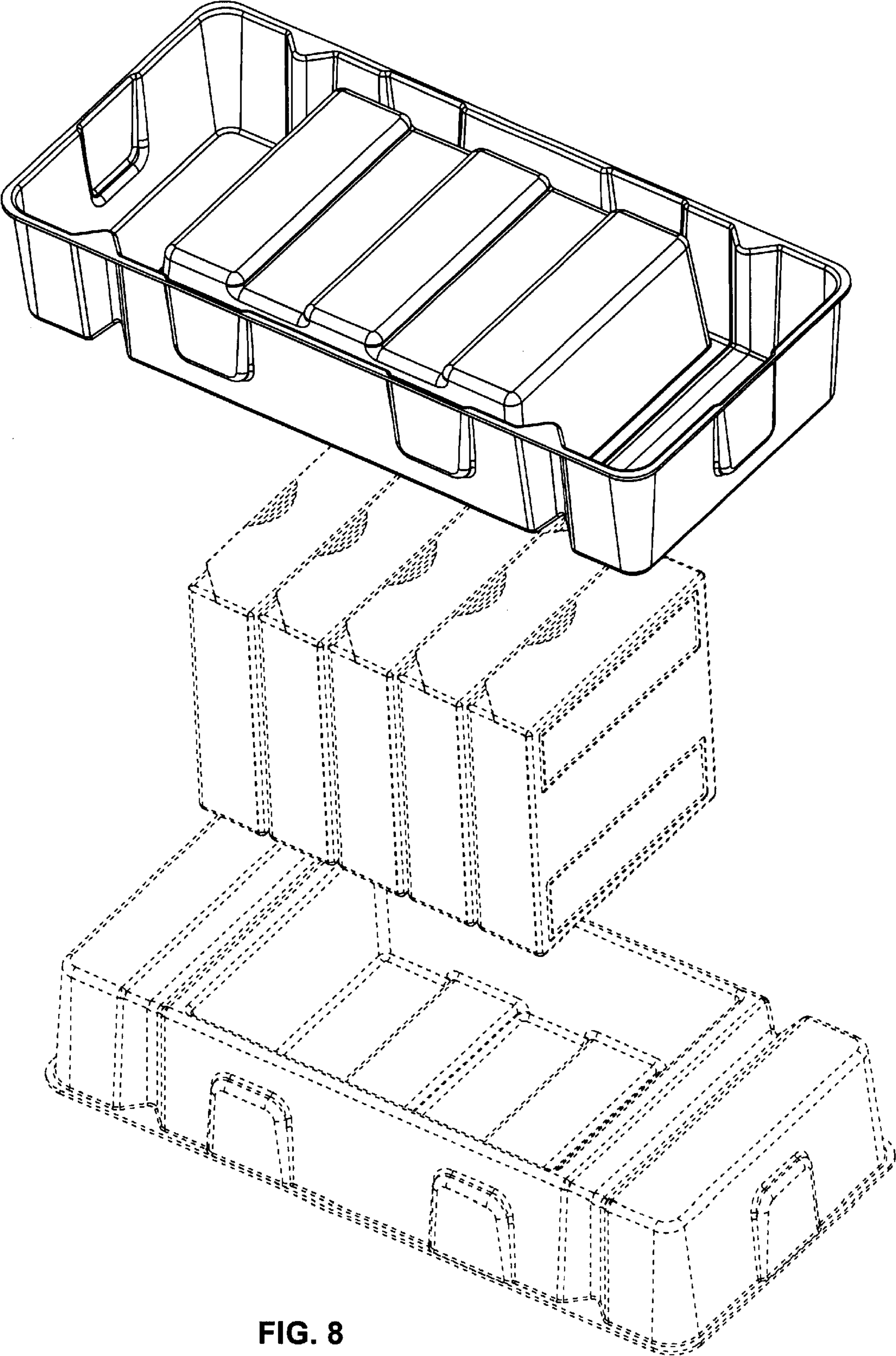


FIG. 8

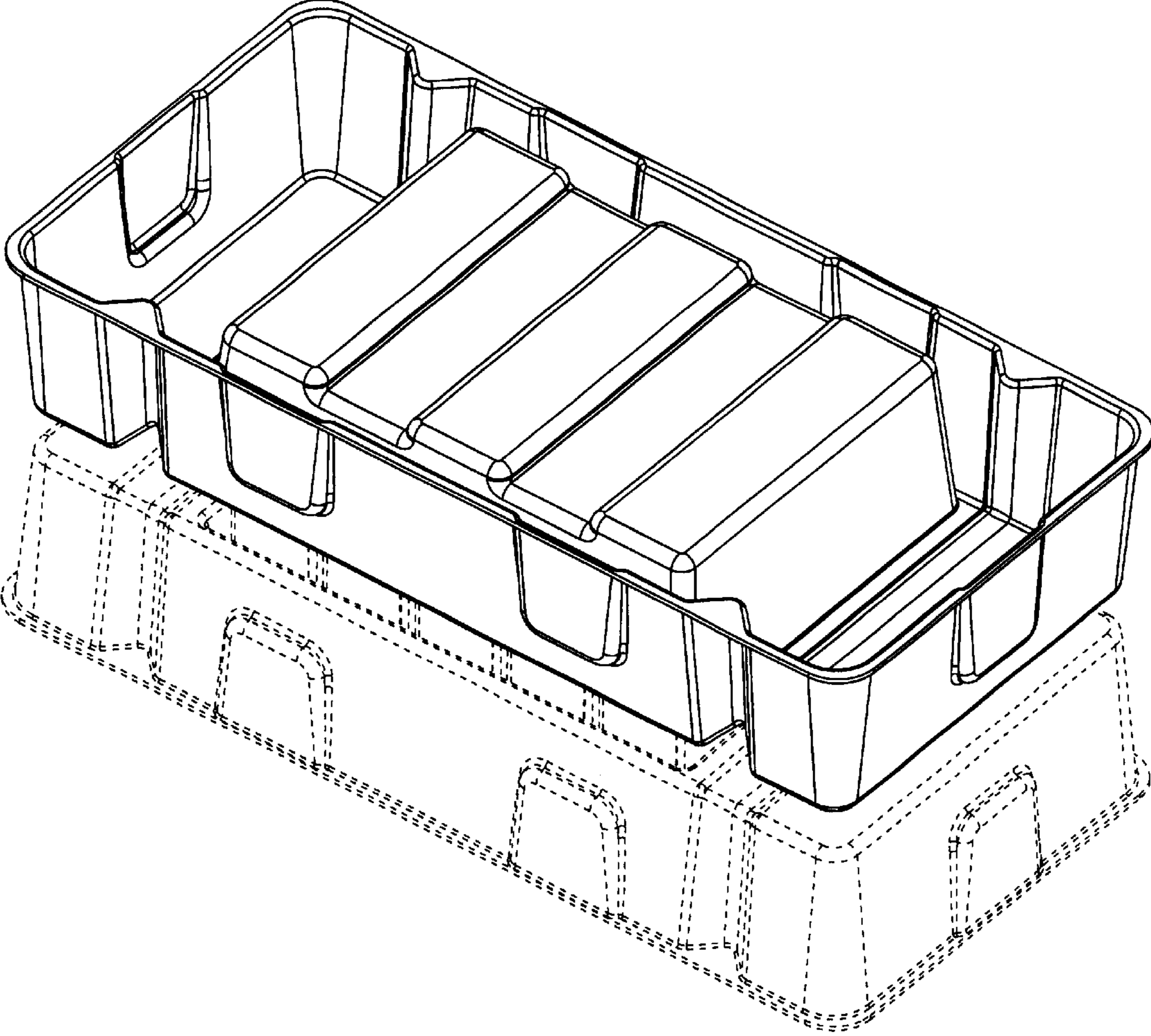


FIG. 9