

US00D523337S

(12) **United States Design Patent**
Yang

(10) **Patent No.:** **US D523,337 S**
(45) **Date of Patent:** **** Jun. 20, 2006**

(54) **TRIGGER SPRAYER**

D494,866 S * 8/2004 Guala D9/448

(75) Inventor: **Mairo Yang**, Taichung (TW)

* cited by examiner

(73) Assignee: **Prosking Plastic Products Inc.**,
Taichung (TW)

Primary Examiner—Robert M. Spear
Assistant Examiner—Susan Bennett Hattan
(74) *Attorney, Agent, or Firm*—Brooks Kushman P.C.

(**) Term: **14 Years**

(57) **CLAIM**

(21) Appl. No.: **29/213,892**

The ornamental design for trigger sprayer, as shown and described.

(22) Filed: **Sep. 24, 2004**

(51) **LOC (8) Cl.** **09-07**

(52) **U.S. Cl.** **D9/448**

(58) **Field of Classification Search** D9/685,
D9/682, 448, 447, 434, 663, 423; D23/229,
D23/227, 226, 223, 213; 239/448, 331, 332;
222/385, 383.3, 383.2, 323, 383.1, 324, 304,
222/1, 153.11-14

See application file for complete search history.

DESCRIPTION

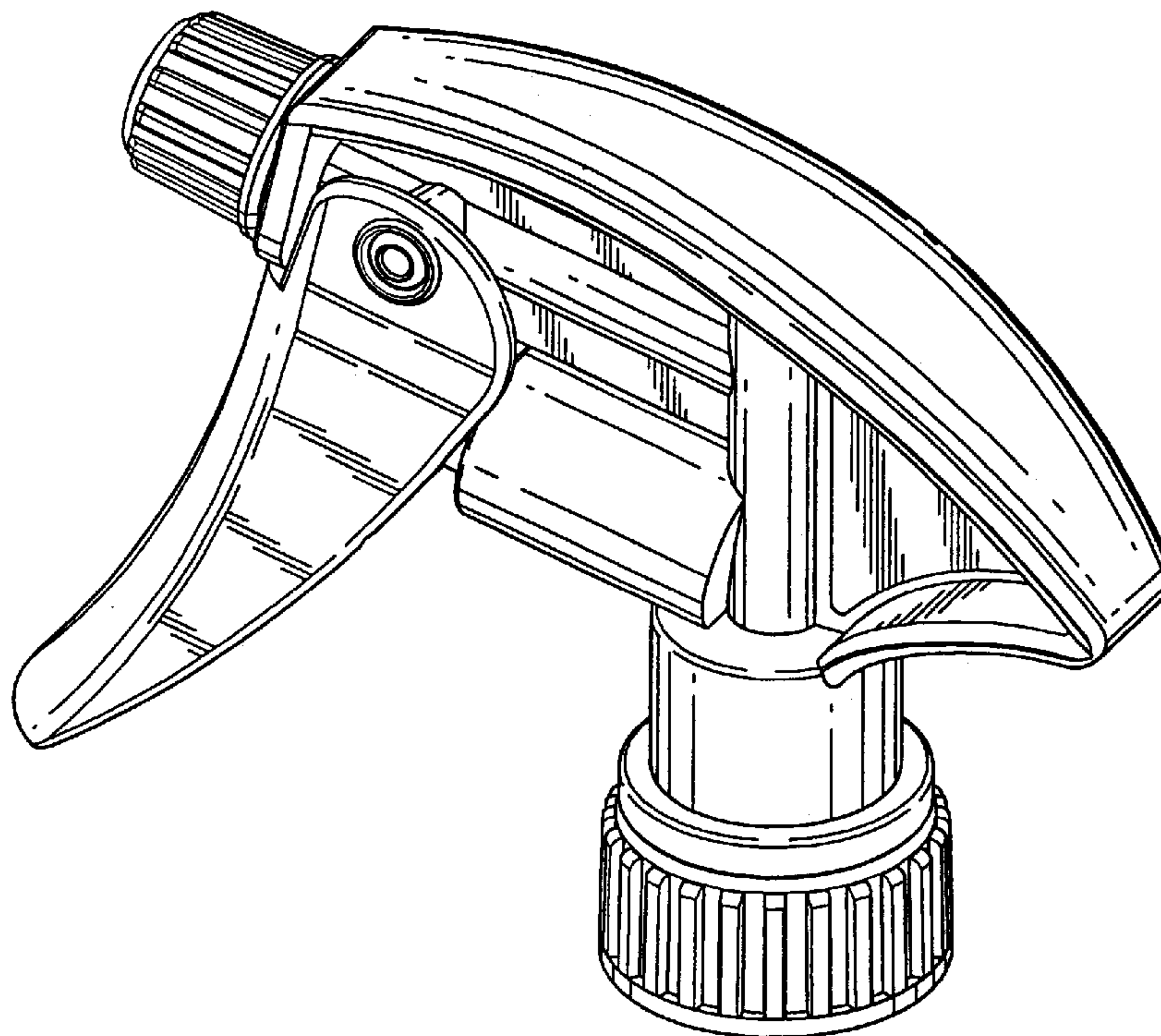
FIG. 1 is a perspective view of trigger sprayer showing my new design;
FIG. 2 is a front elevational view thereof;
FIG. 3 is a rear elevational view thereof;
FIG. 4 is a left side elevational view thereof;
FIG. 5 is a right side elevational view thereof; and,
FIG. 6 is a top plan view thereof.

(56) **References Cited**

U.S. PATENT DOCUMENTS

D447,415 S * 9/2001 Spengler D9/448

1 Claim, 4 Drawing Sheets



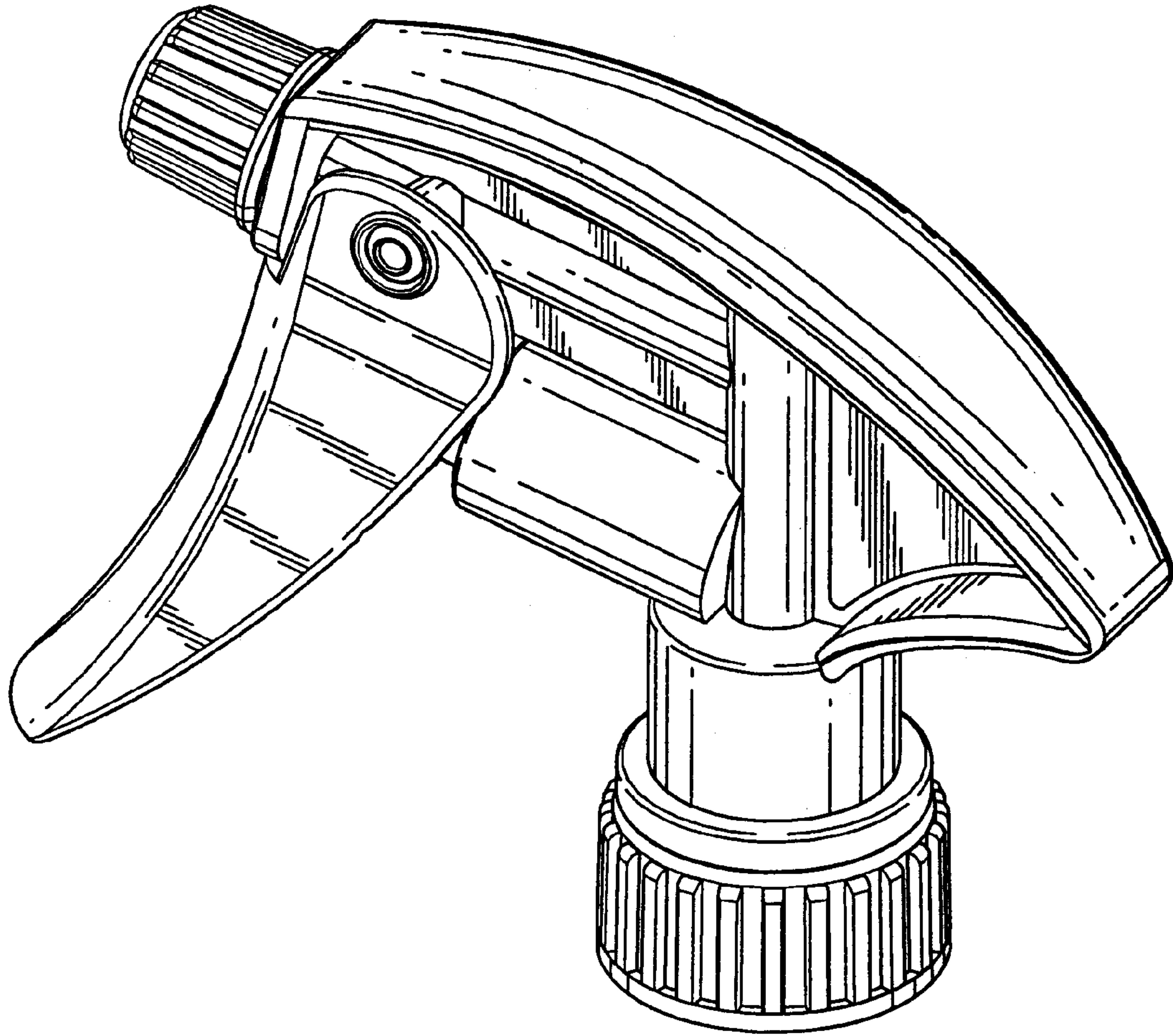


FIG. 1

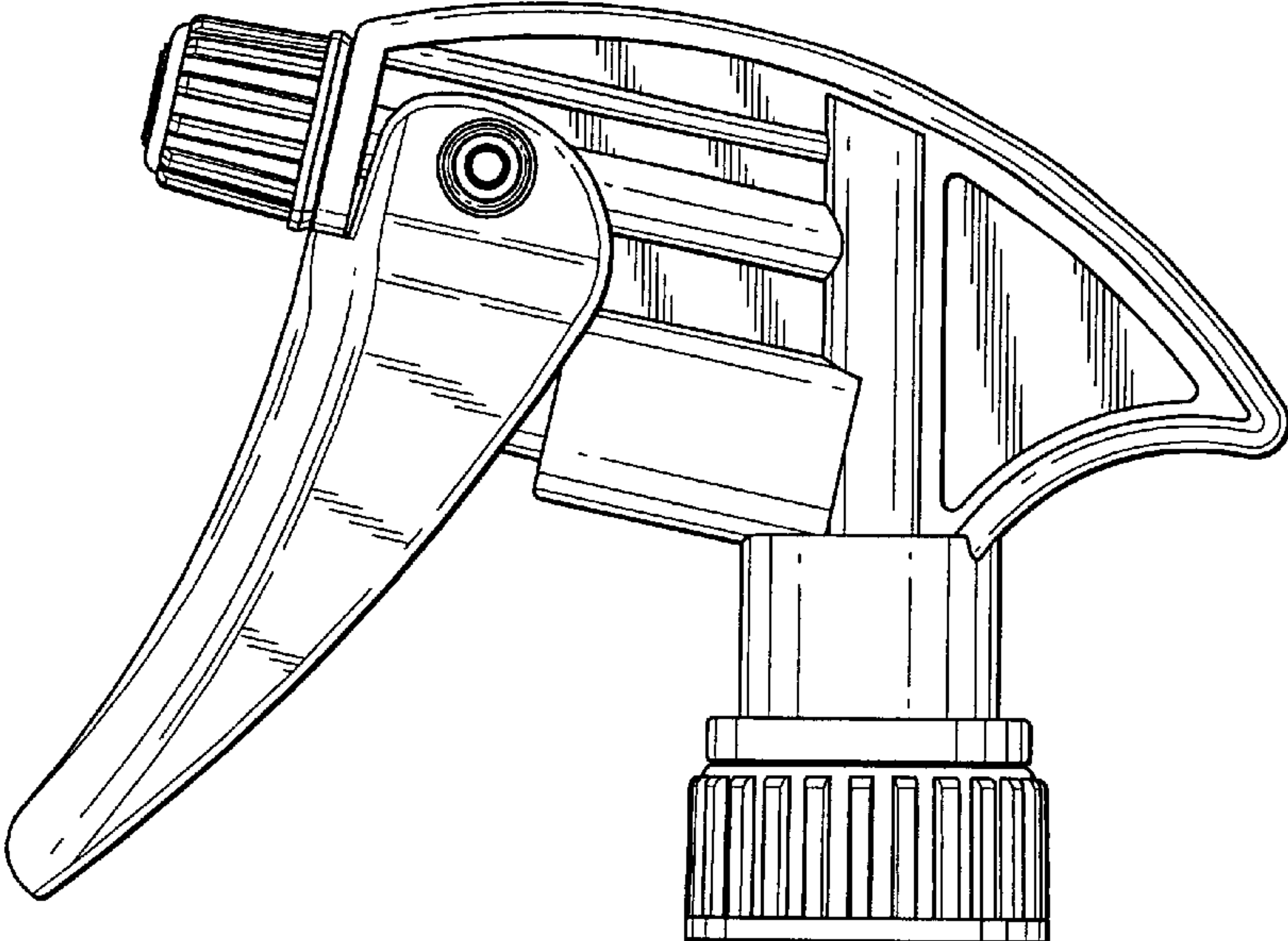


FIG. 2

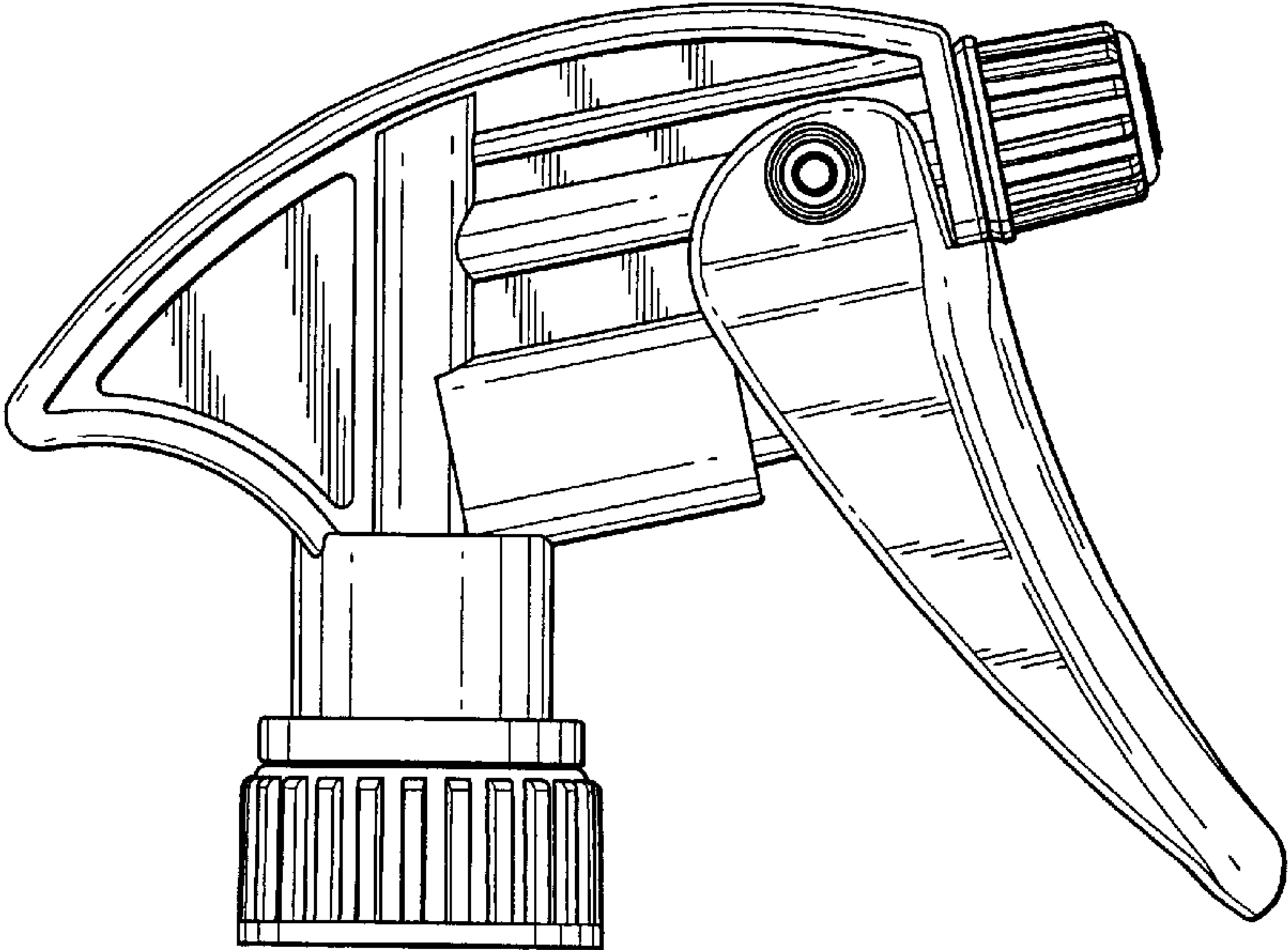


FIG. 3

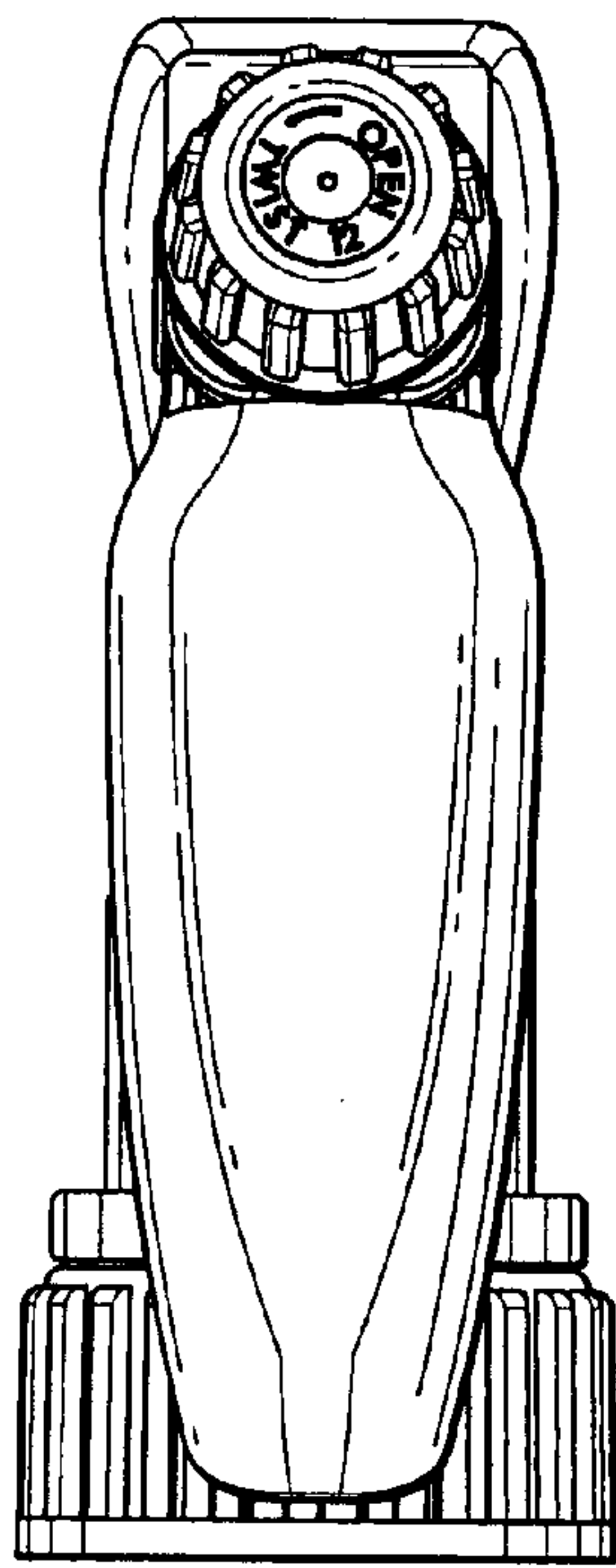


FIG. 4

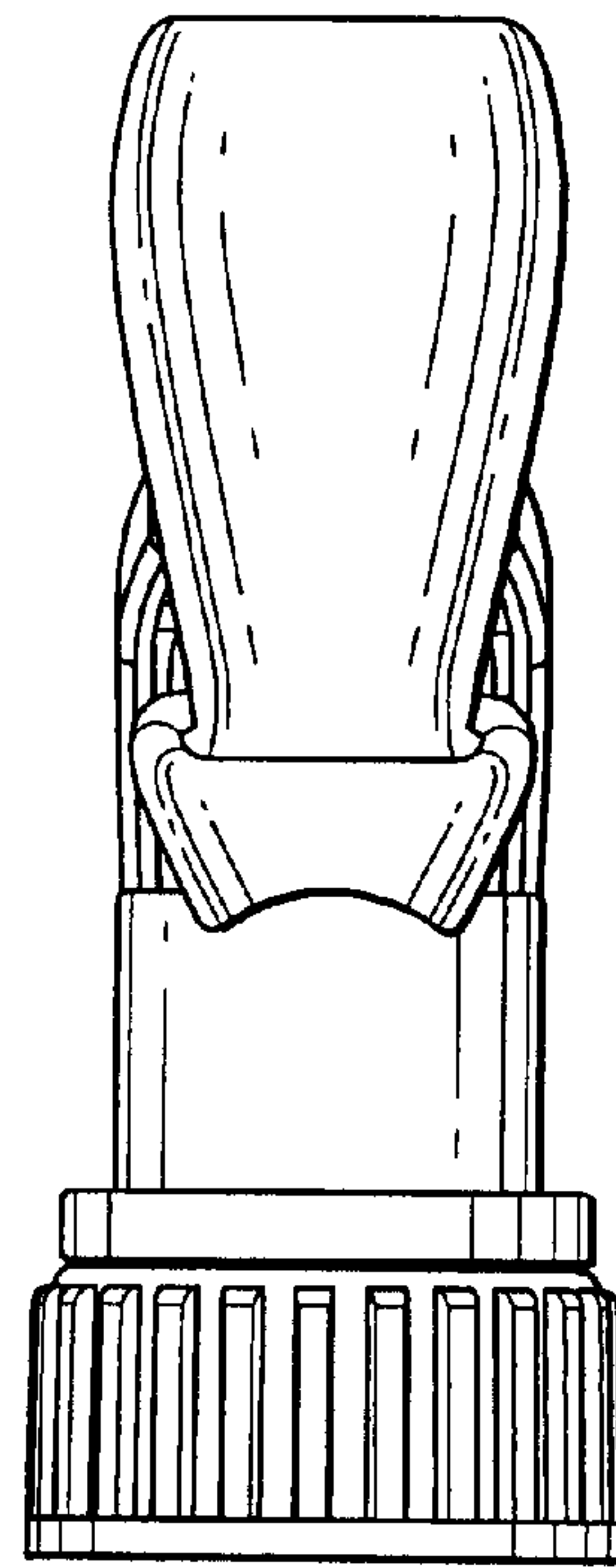


FIG. 5

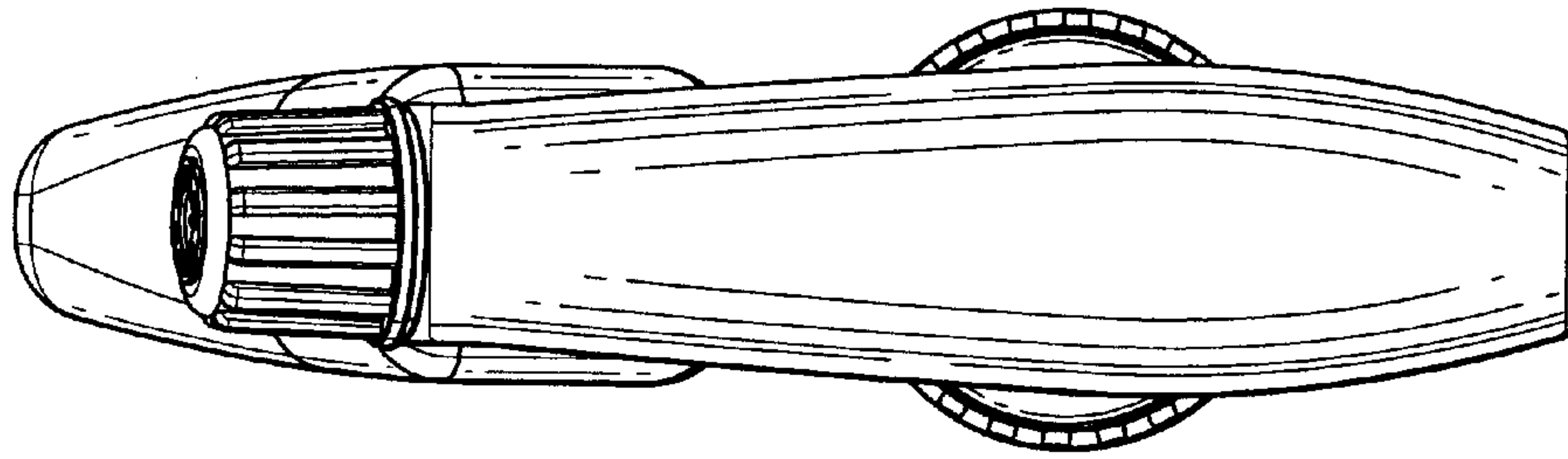


FIG. 6