



US00D523333S

(12) **United States Design Patent**
Moretti

(10) **Patent No.:** **US D523,333 S**
(45) **Date of Patent:** **** Jun. 20, 2006**

- (54) **CLOSURE FOR A CONTAINER**
- (75) Inventor: **Matteo Moretti**, Crema (IT)
- (73) Assignee: **Lumson S.R.L.**, Capergnanica (IT)
- (**) Term: **14 Years**
- (21) Appl. No.: **29/227,961**
- (22) Filed: **Apr. 19, 2005**
- (30) **Foreign Application Priority Data**
Oct. 19, 2004 (EM) 000241195
- (51) **LOC (8) Cl.** **09-01**
- (52) **U.S. Cl.** **D9/444**; D9/454
- (58) **Field of Classification Search** D9/726,
D9/723, 529, 503, 500, 454, 447, 445, 444,
D9/435, 434; D7/392.1; D4/137; D28/88,
D28/85, 82, 76, 7, 58; D19/57, 43; 220/798;
215/382, 322, 316, 317, 318, 307, 276, 200
See application file for complete search history.

- D442,832 S * 5/2001 Filkins et al. D7/590
- D454,755 S * 3/2002 Jørgensen D7/510
- D480,263 S * 10/2003 Lillelund et al. D7/392.1
- D504,700 S * 5/2005 Chuang D19/43

* cited by examiner

Primary Examiner—Robert M. Spear
Assistant Examiner—Susan Bennett Hattan
(74) *Attorney, Agent, or Firm*—Young & Thompson

(57) **CLAIM**

The ornamental design for a closure for a container, as shown and described.

DESCRIPTION

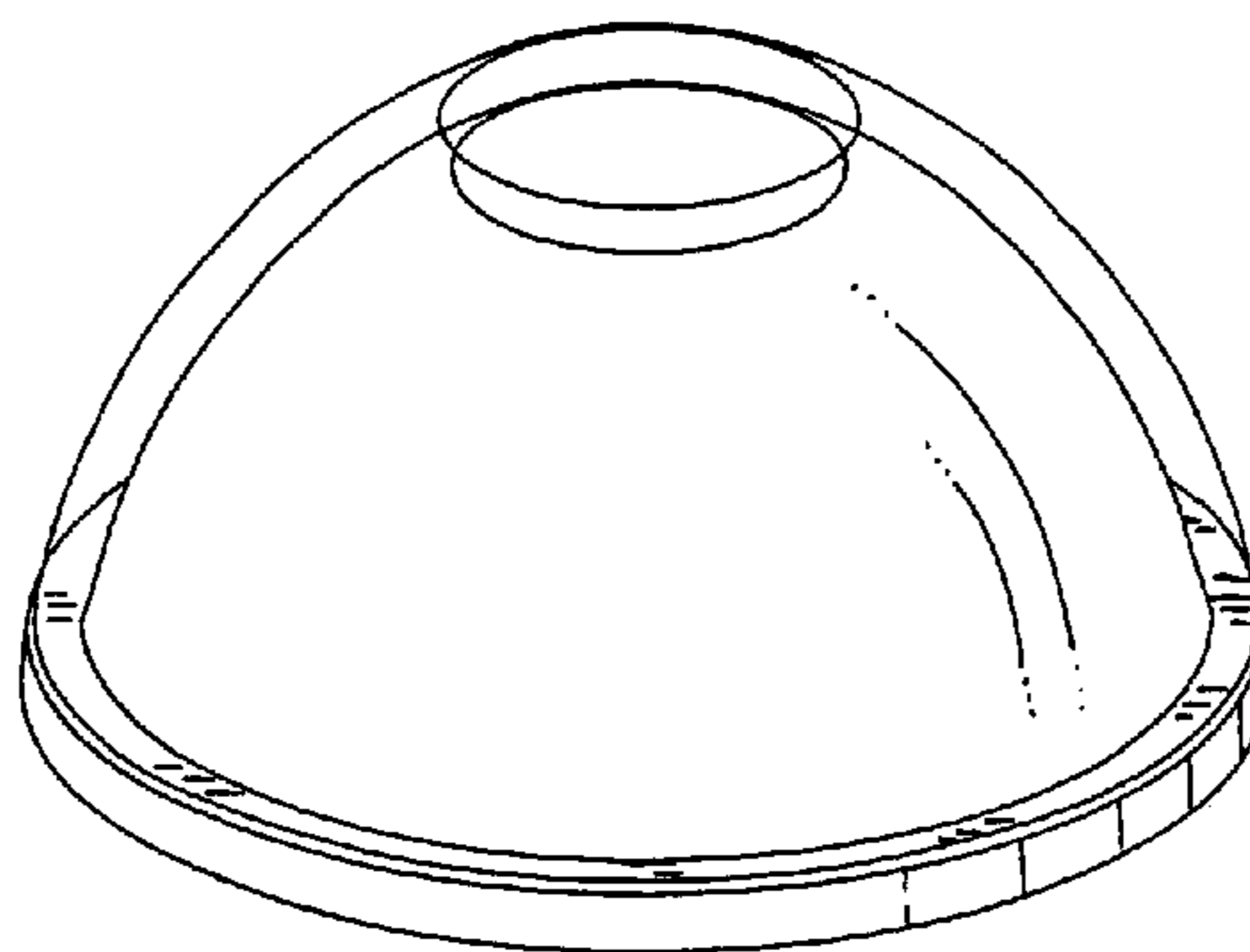
FIG. 1 is a top and side perspective view of a closure for a container, showing my new design;
FIG. 2 is a side elevational view thereof;
FIG. 3 is a view thereof from the left of FIG. 2;
FIG. 4 is a view thereof from the right of FIG. 2;
FIG. 5 is a top plan view thereof;
FIG. 6 is a side elevational view thereof from the rear of FIG. 2; and,
FIG. 7 is a bottom plan view thereof.
The dome shaped portion thereof is constituted by a transparent outer shell and an opaque inner shell attached to each other. The annular ring at the bottom of the closure is opaque.

(56) **References Cited**

U.S. PATENT DOCUMENTS

- D120,797 S * 5/1940 Boe D9/503
- 3,461,009 A * 8/1969 Snyder et al. 220/590
- D266,486 S * 10/1982 Lutz D9/503
- 4,508,235 A * 4/1985 Steele et al. 215/307

1 Claim, 2 Drawing Sheets



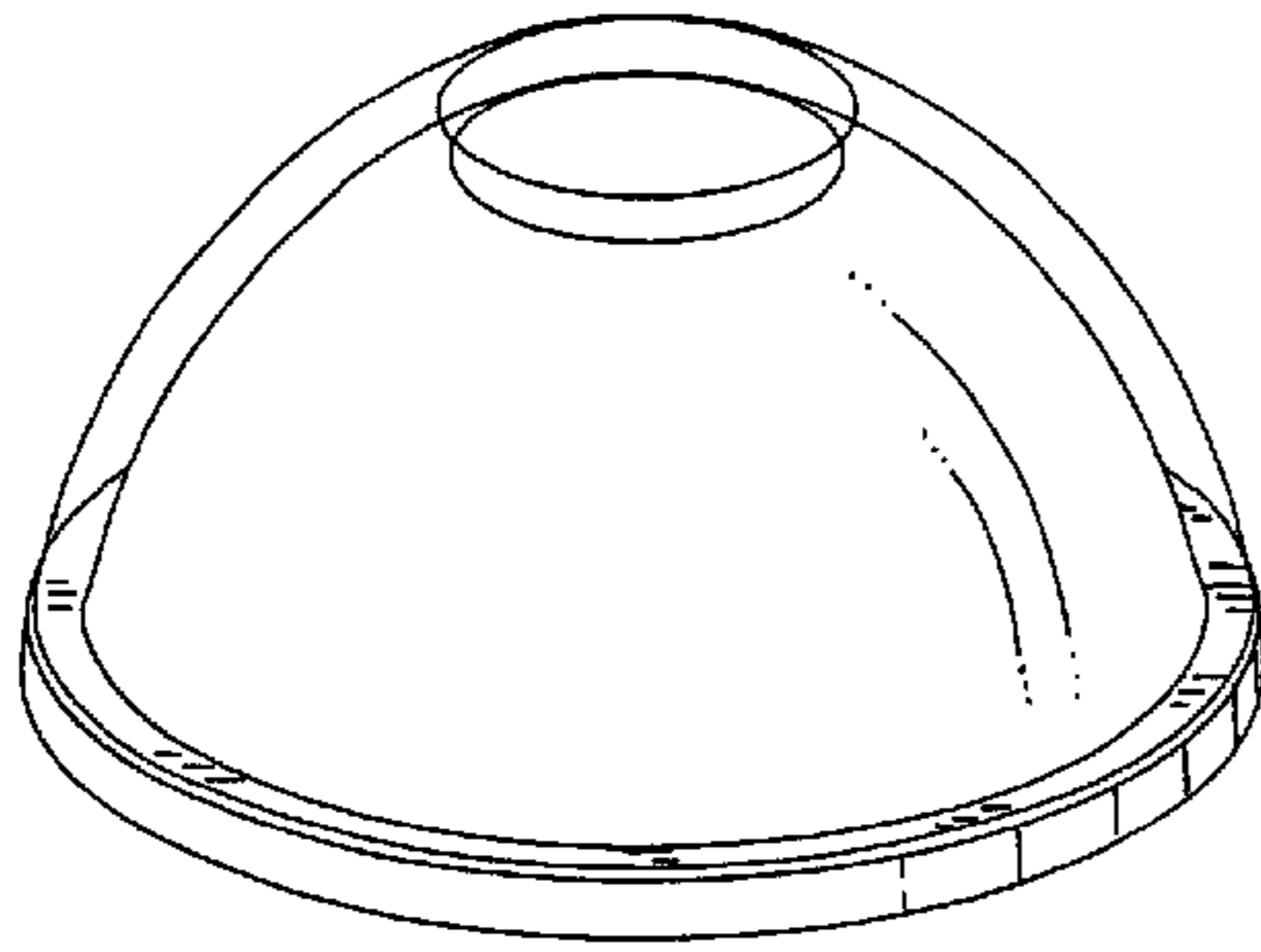


FIG. 1

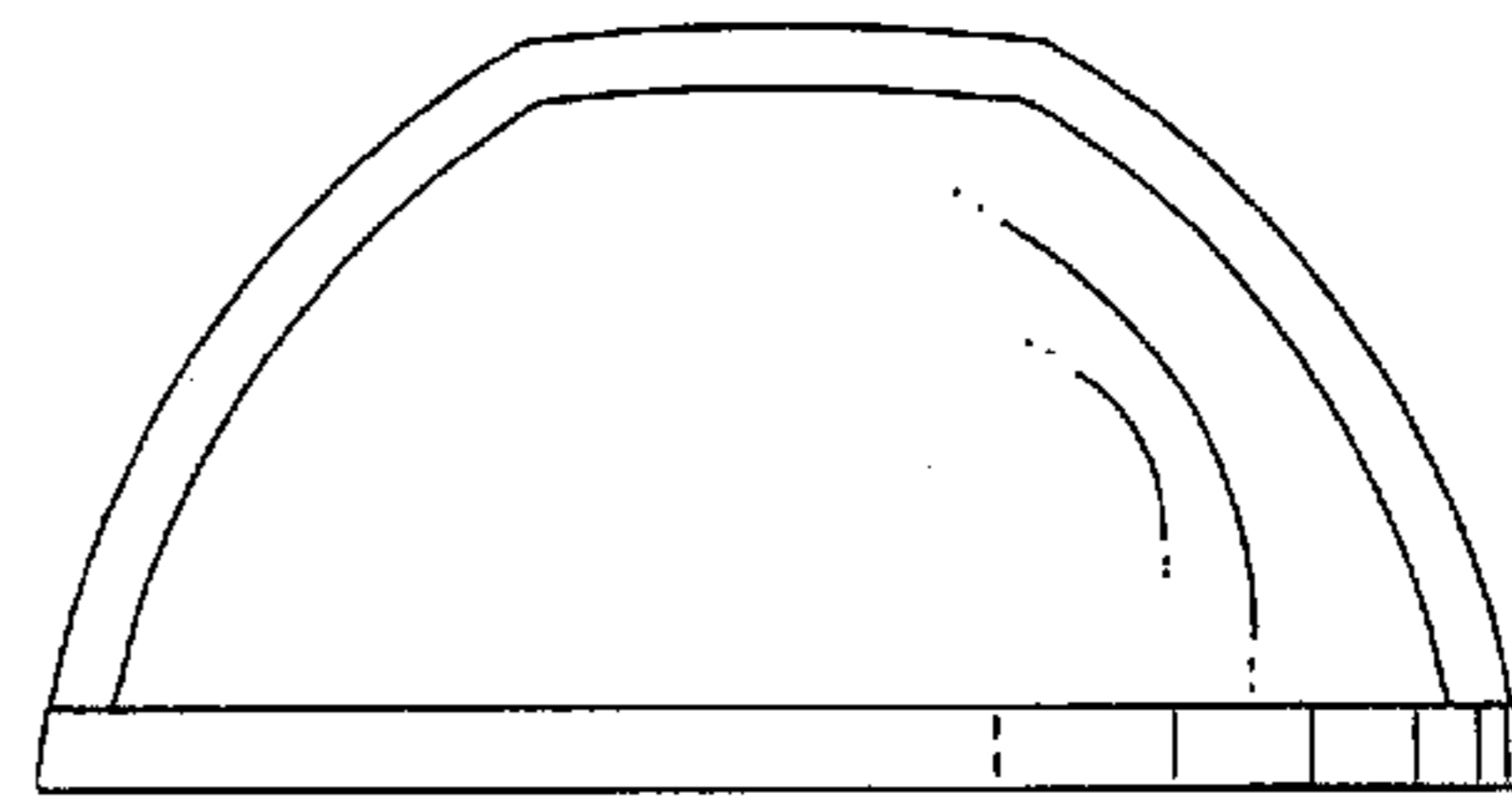


FIG. 2

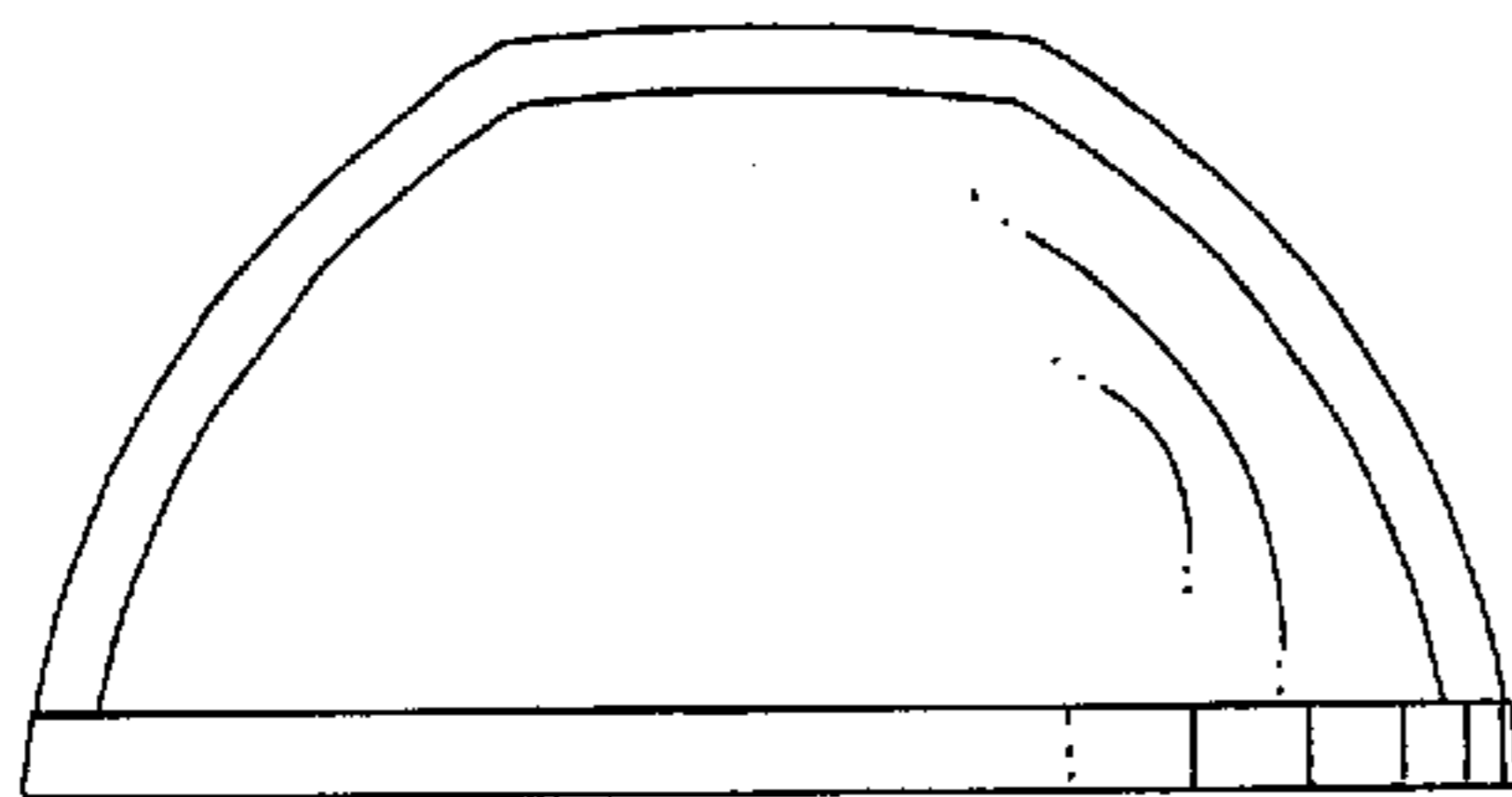


FIG. 3

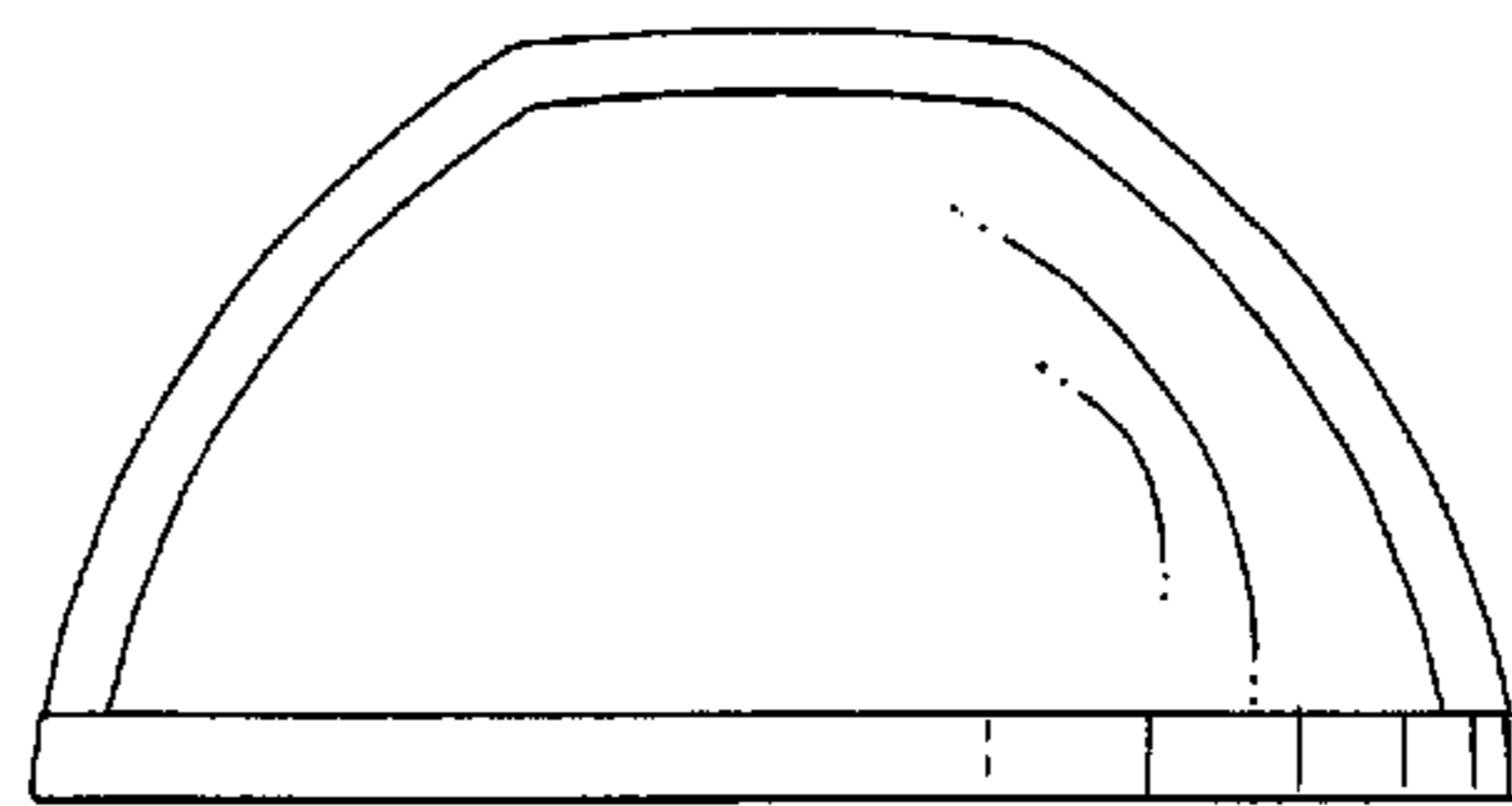


FIG. 4

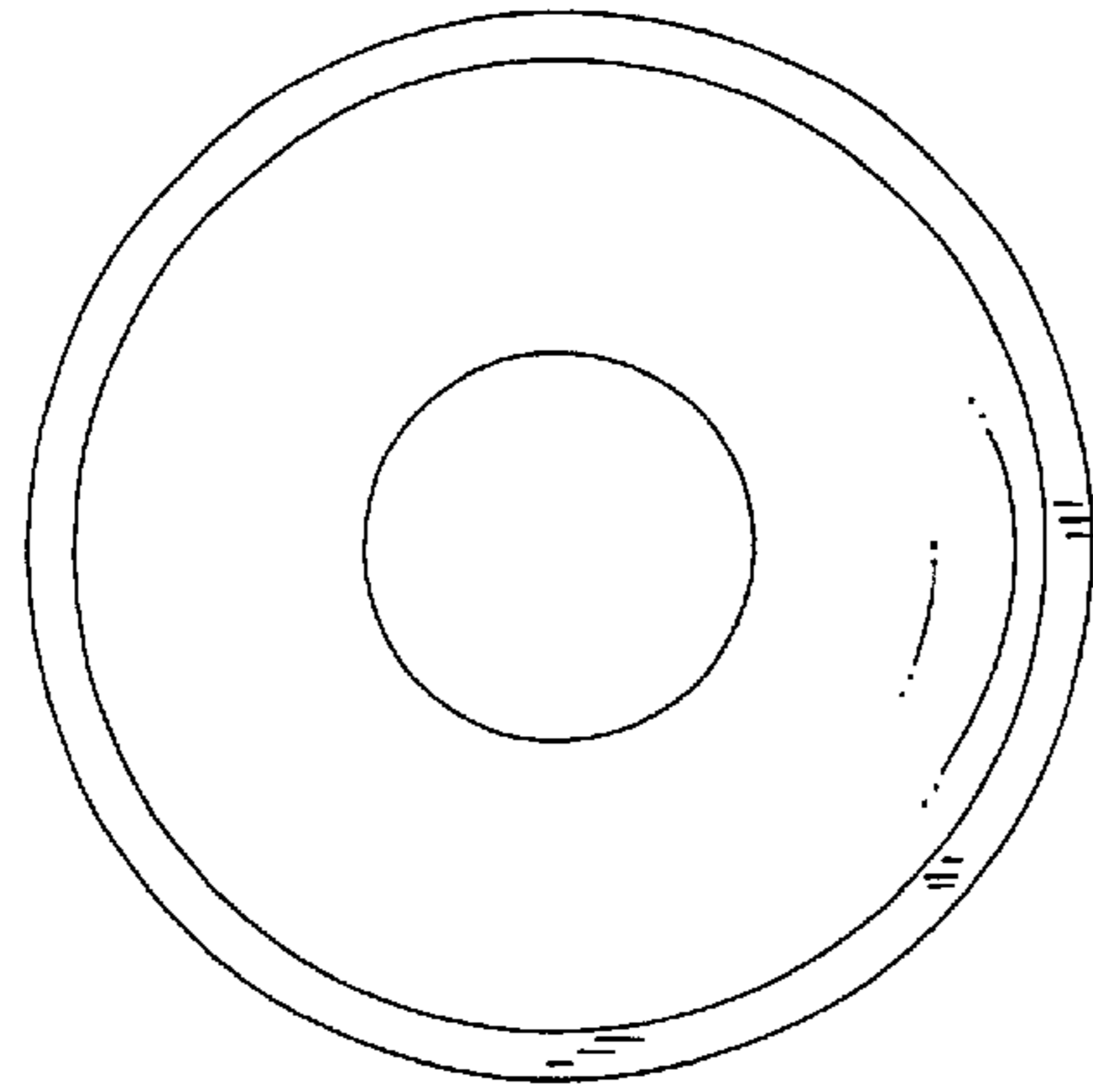


FIG. 5

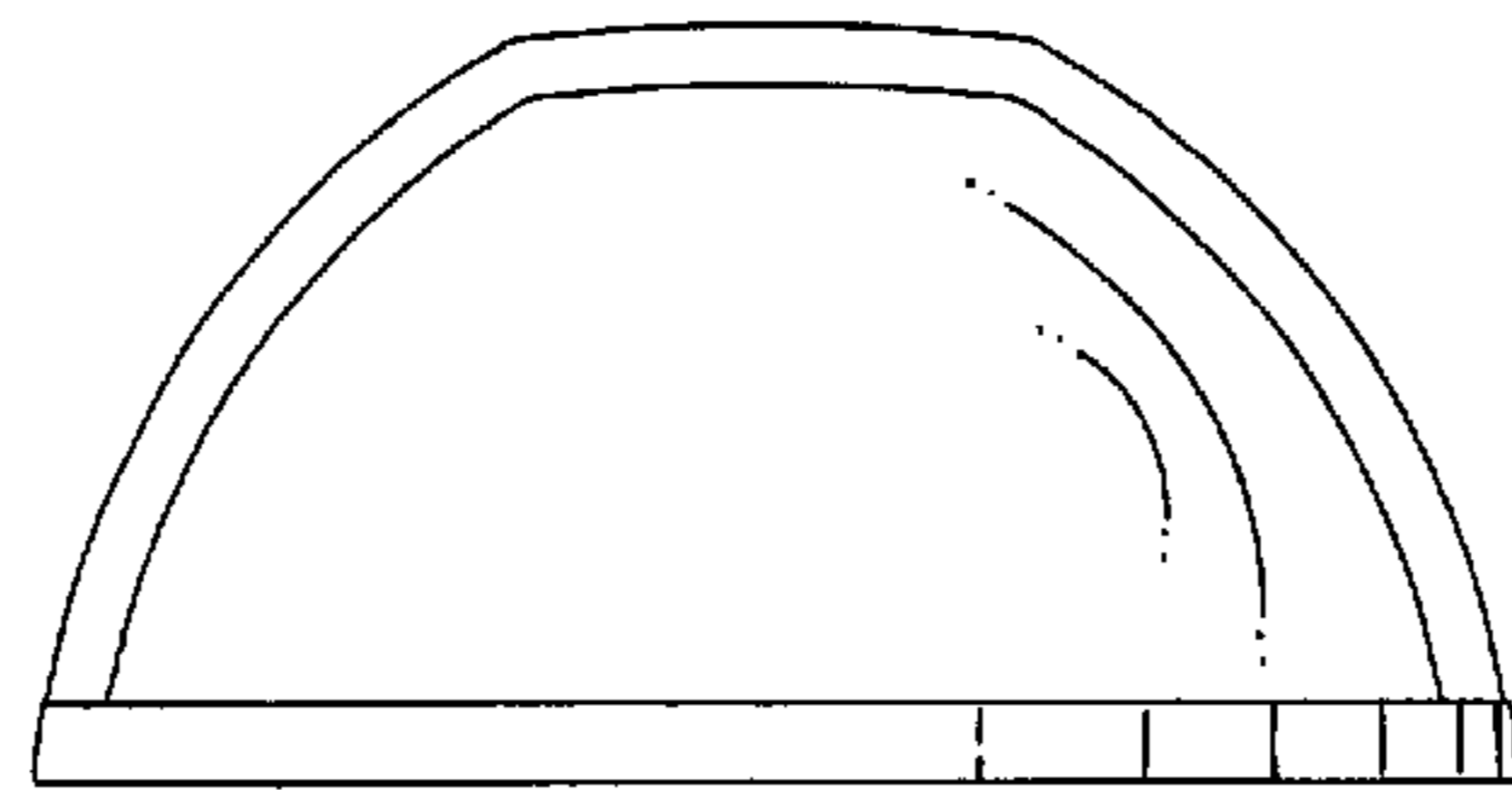


FIG. 6

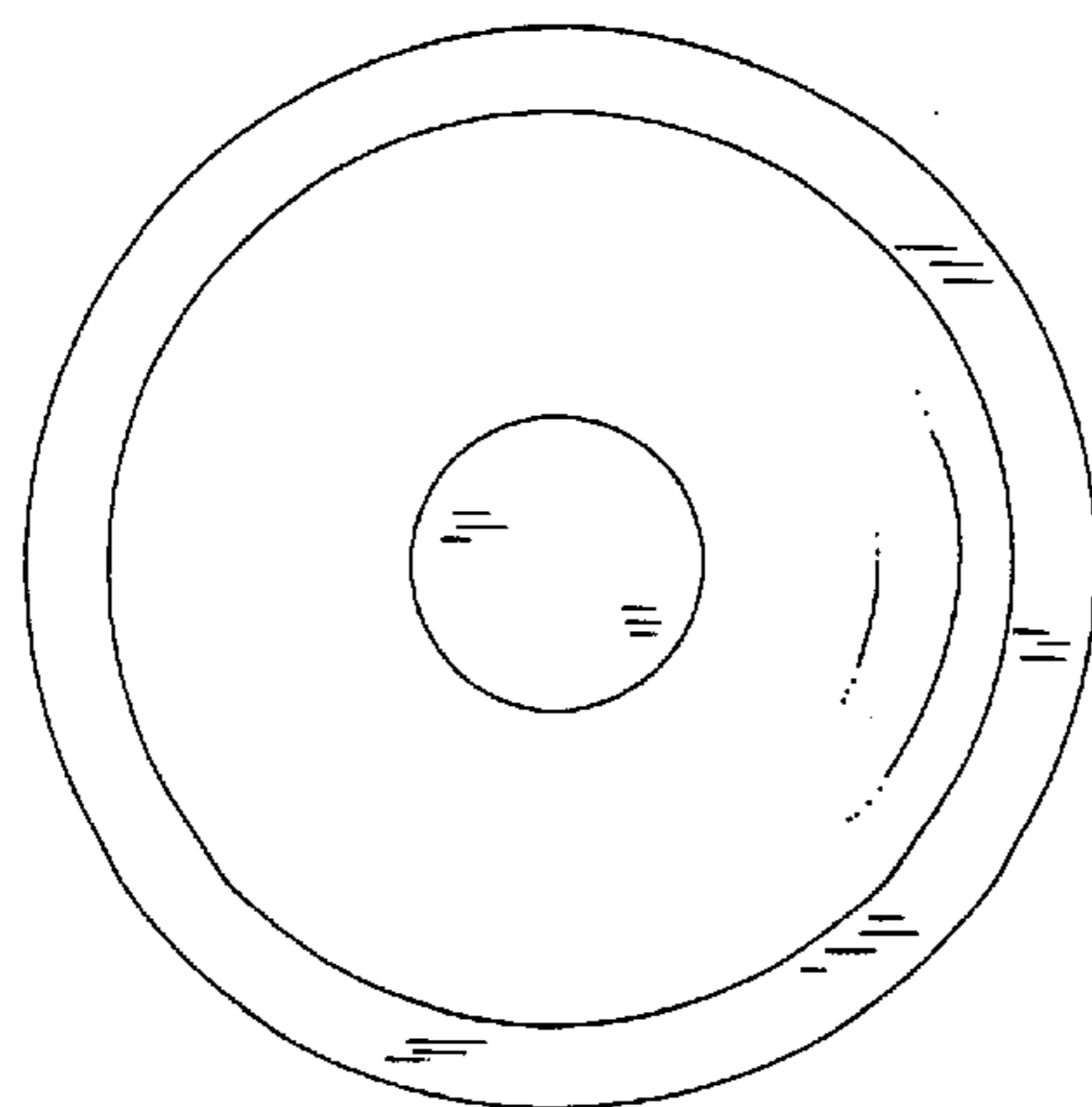


FIG. 7