



US00D523332S

(12) **United States Design Patent**  
**McEldowney et al.**

(10) **Patent No.:** **US D523,332 S**  
(45) **Date of Patent:** **\*\* Jun. 20, 2006**

(54) **TAB**  
(75) Inventors: **Carl McEldowney**, Ansonia, OH (US);  
**Craig McEldowney**, Russia, OH (US)  
(73) Assignee: **Stolle Machinery Company, LLC**,  
Centennial, CO (US)  
(\*\*) Term: **14 Years**

D419,873 S \* 2/2000 Piccione ..... D9/438  
6,026,971 A 2/2000 Lundgren  
6,575,325 B1 6/2003 Dickie et al.  
2003/0132230 A1 7/2003 Gitelman et al.

**FOREIGN PATENT DOCUMENTS**

EP 0 945 355 A2 9/1999  
JP 2000-128167 5/2000  
JP 2003-128062 5/2003  
WO WO 01/28875 A1 4/2004

\* cited by examiner

*Primary Examiner*—Robert M. Spear  
*Assistant Examiner*—Susan Bennett Hattan  
(74) *Attorney, Agent, or Firm*—David P. Maivald; Eric A. Lerner; Eckert Seamans Cherin & Mellott, LLC

(21) Appl. No.: **29/236,579**  
(22) Filed: **Aug. 18, 2005**  
(51) **LOC (8) Cl.** ..... **09-07**  
(52) **U.S. Cl.** ..... **D9/438**  
(58) **Field of Classification Search** ..... D9/607,  
D9/601, 518, 499, 454, 449, 447, 438; 220/273,  
220/272, 271, 270, 269, 265, 260, 254.7,  
220/254.3; 215/304  
See application file for complete search history.

(57) **CLAIM**

The ornamental design for a tab, as shown and described.

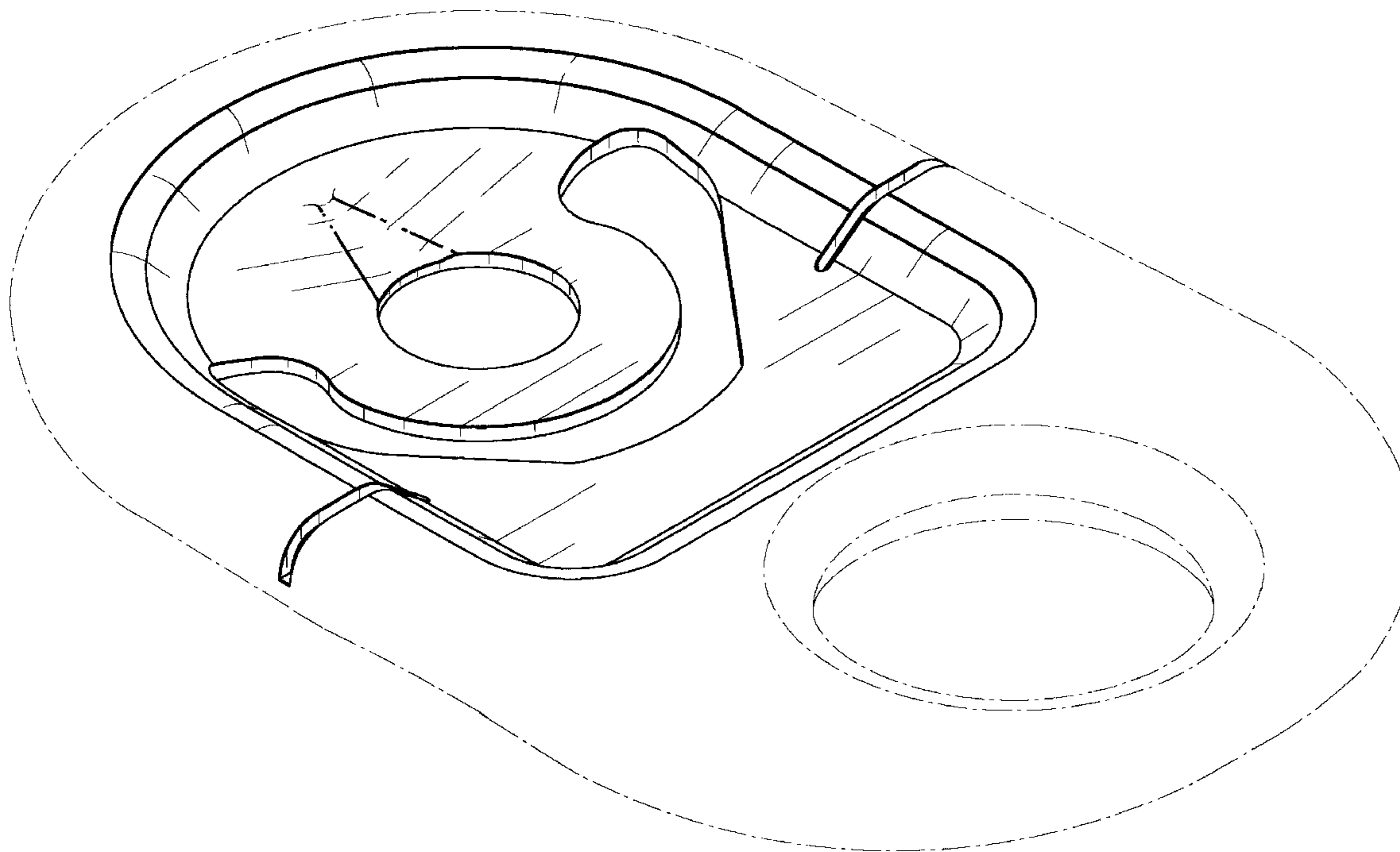
**DESCRIPTION**

FIG. 1 is an isometric view of a tab with the perimeter of the tab and the finger hole shown in phantom; FIG. 2 is a top plan view of the tab shown in FIG. 1; FIG. 3 is a bottom plan view of the tab shown in FIG. 1; and, FIG. 4 is a side view of the tab shown in FIG. 1. The broken lines showing the perimeter of the tab and the finger hole in FIGS. 1 through 4 is for illustrative purposes and forms no part of the claimed design.

**1 Claim, 4 Drawing Sheets**

(56) **References Cited**  
**U.S. PATENT DOCUMENTS**

3,499,573 A 3/1970 Adams  
4,205,760 A 6/1980 Hasegawa  
4,276,993 A 7/1981 Hasegawa  
D289,017 S \* 3/1987 Spangler et al. .... D9/438  
D296,990 S \* 8/1988 Juty ..... D9/438  
D332,402 S \* 1/1993 Harwood et al. .... D9/438  
D390,463 S \* 2/1998 Harrold et al. .... D9/438



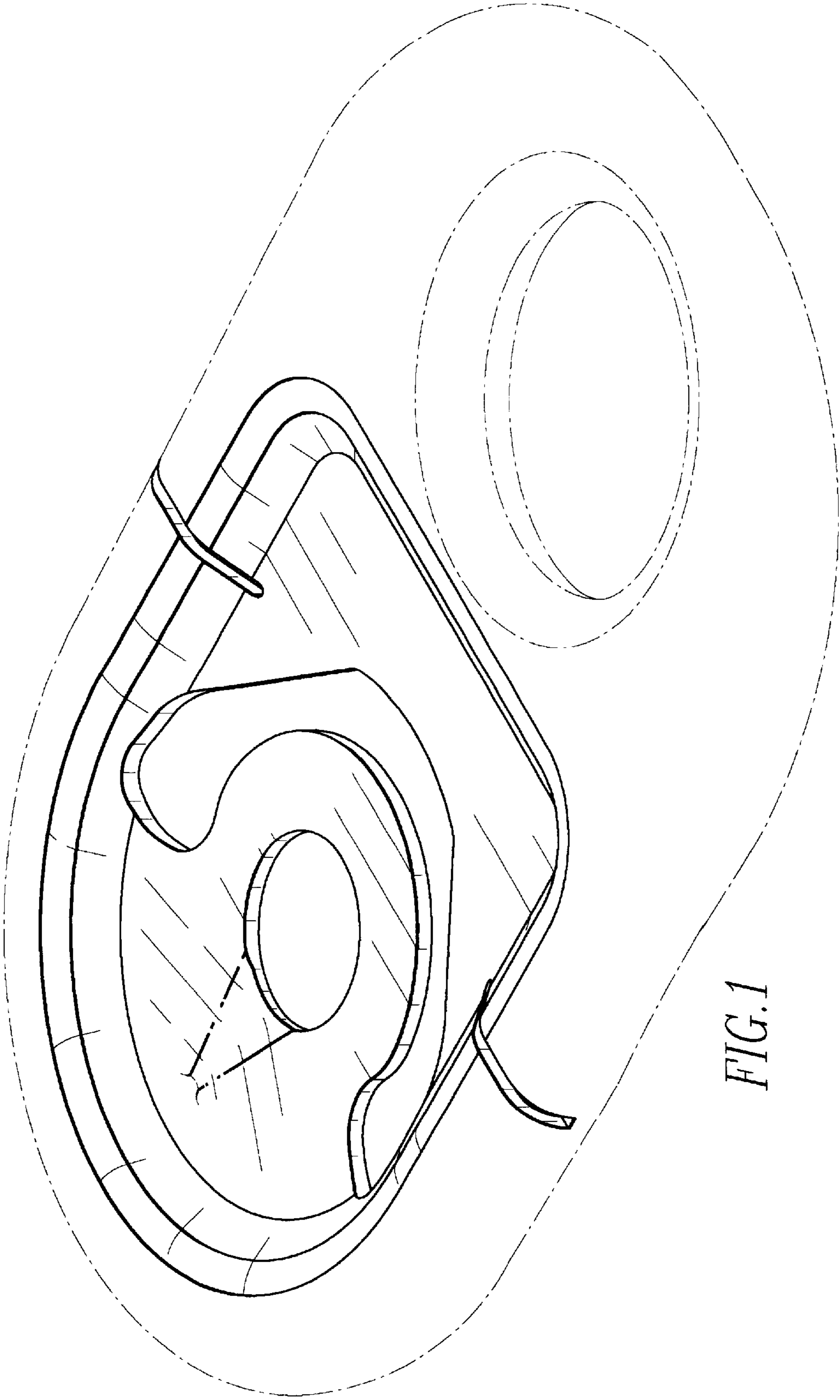


FIG.1

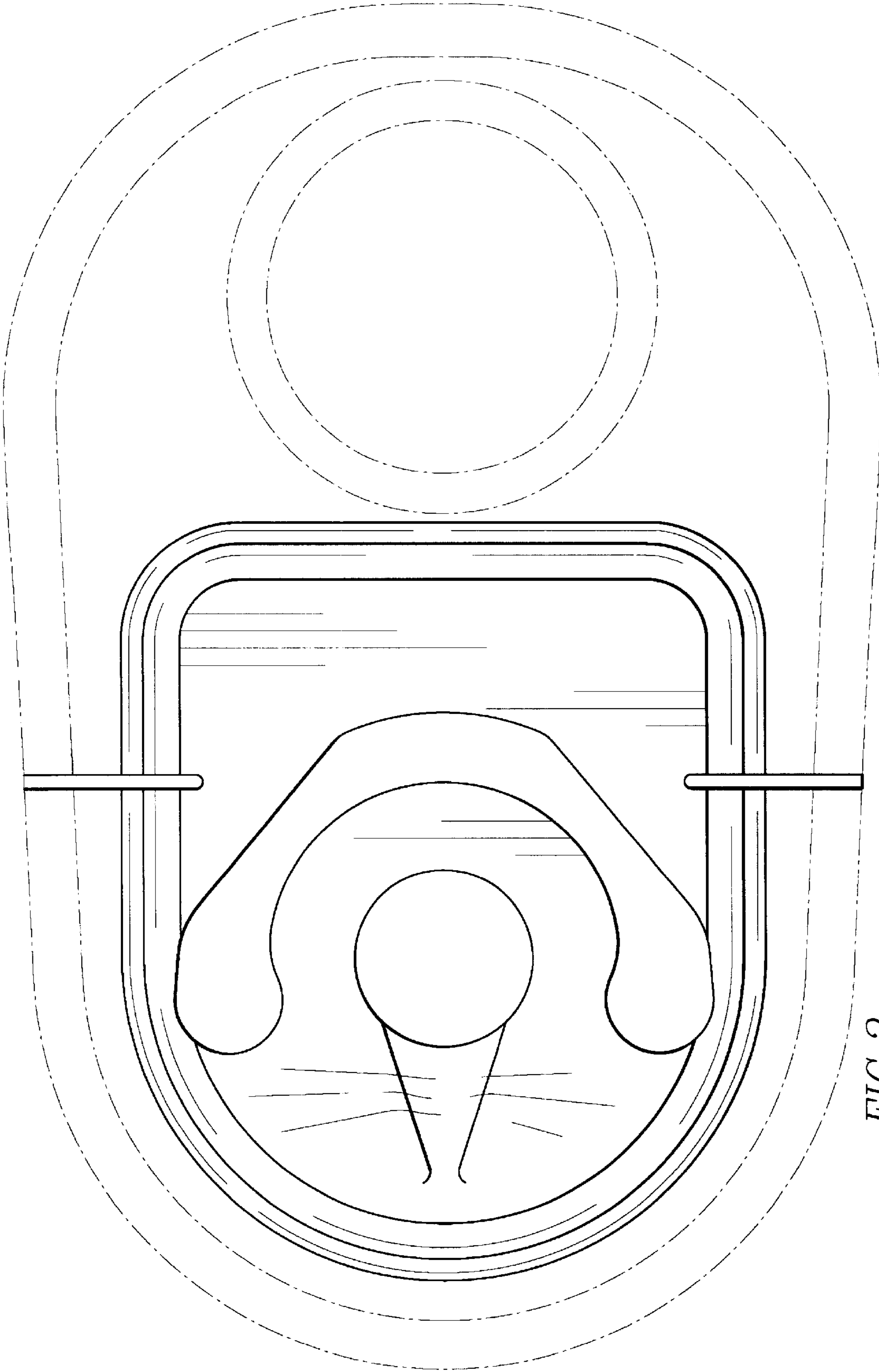


FIG. 2

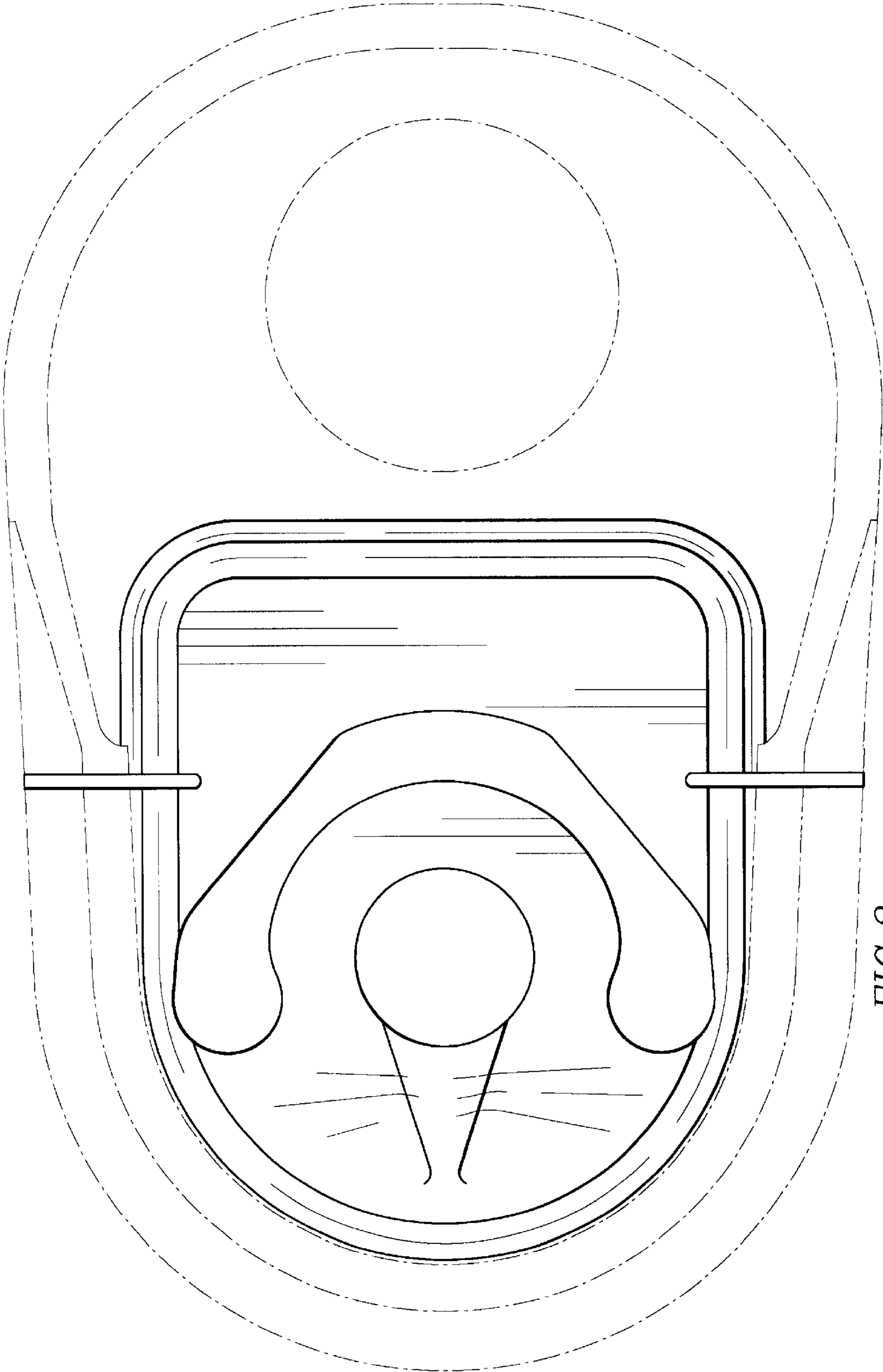
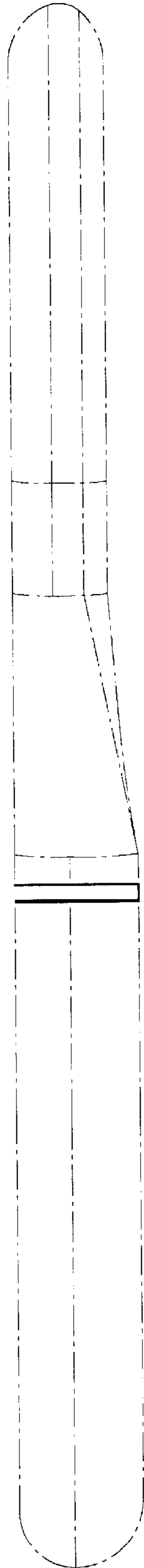


FIG. 3



*FIG. 4*