



US00D523329S

(12) **United States Design Patent**
Klippel et al.

(10) **Patent No.:** **US D523,329 S**

(45) **Date of Patent:** **** Jun. 20, 2006**

(54) **BEAM CLAMP**

6,899,305 B1 * 5/2005 Korczak et al. 248/68.1

(75) Inventors: **Simon Francis Klippel**, Knaresborough (GB); **Neil Frank Gill**, Shipley (GB); **Louise Caroline Foster**, Castleford (GB)

* cited by examiner

Primary Examiner—Catherine R. Oliver
Assistant Examiner—John Windmuller

(73) Assignee: **Tyco European Metal Framing Limited**, West Yorkshire (GB)

(57) **CLAIM**

The original design for a beam clamp, as shown and described.

(**) Term: **14 Years**

DESCRIPTION

(21) Appl. No.: **29/216,765**

FIG. 1 is a front right perspective view of a beam clamp showing our new design;

(22) Filed: **Nov. 9, 2004**

FIG. 2 is a rear right perspective view thereof;

(30) **Foreign Application Priority Data**

May 12, 2004 (GB) 3017266

FIG. 3 is a right side elevational view thereof;

(51) **LOC (8) Cl.** **08-08**

FIG. 4 is a left side elevational view thereof;

(52) **U.S. Cl.** **D8/394**

FIG. 5 is a top plan view thereof;

(58) **Field of Classification Search** D8/356,

FIG. 6 is a bottom plan view thereof;

D8/371, 394–396, 499, 53, 100, 365; D12/51;

FIG. 7 is a rear elevational view thereof;

D19/65, 90; D28/39, 40, 42; 24/546, 563,

FIG. 8 is a rear right perspective view thereof, shown joined with a second beam clamp;

24/327, 334, DIG. 8, DIG. 9, DIG. 13, DIG. 28;

FIG. 9 is a front right perspective view thereof, shown joined with a second beam clamp in an alternate position of use;

248/74.2, 300, 301, 316.7, 229.26

FIG. 10 is a front left perspective view thereof, shown in a further alternate position of use;

See application file for complete search history.

FIG. 11 is a right side elevational view thereof, shown in a further alternate position of use; and,

(56) **References Cited**

U.S. PATENT DOCUMENTS

D340,226 S * 10/1993 Sachs D13/154

FIG. 12 is another right side elevational view thereof, shown the position of use of FIG. 9.

D473,124 S * 4/2003 Wu et al. D8/356

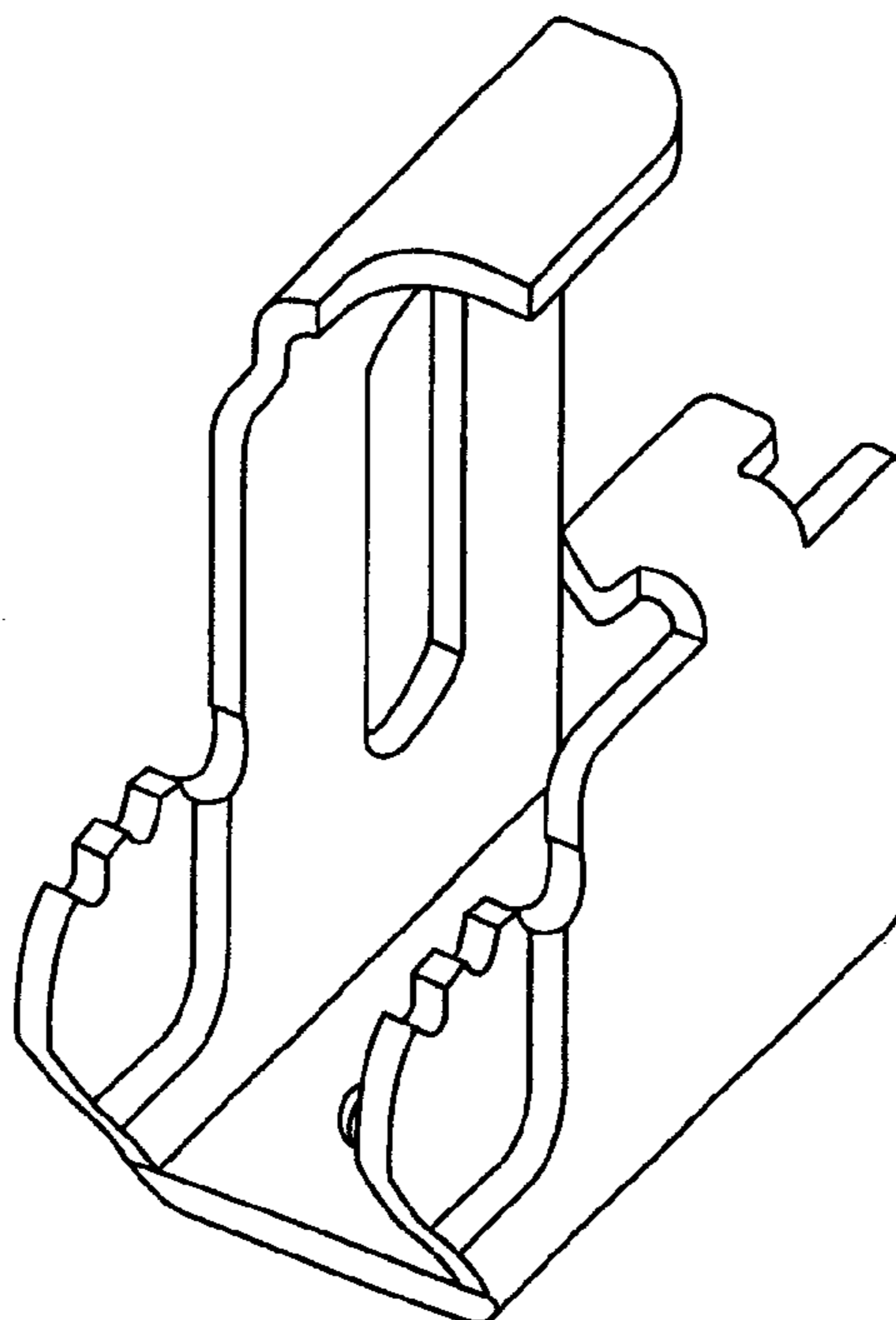
The broken line showing of a second beam clamp in some of the figures is for illustrative purposes only and forms no part of the claimed design.

D473,448 S * 4/2003 Wu et al. D8/356

1 Claim, 6 Drawing Sheets

D501,394 S * 2/2005 Franks et al. D8/356

D502,388 S * 3/2005 Cortez et al. D8/356



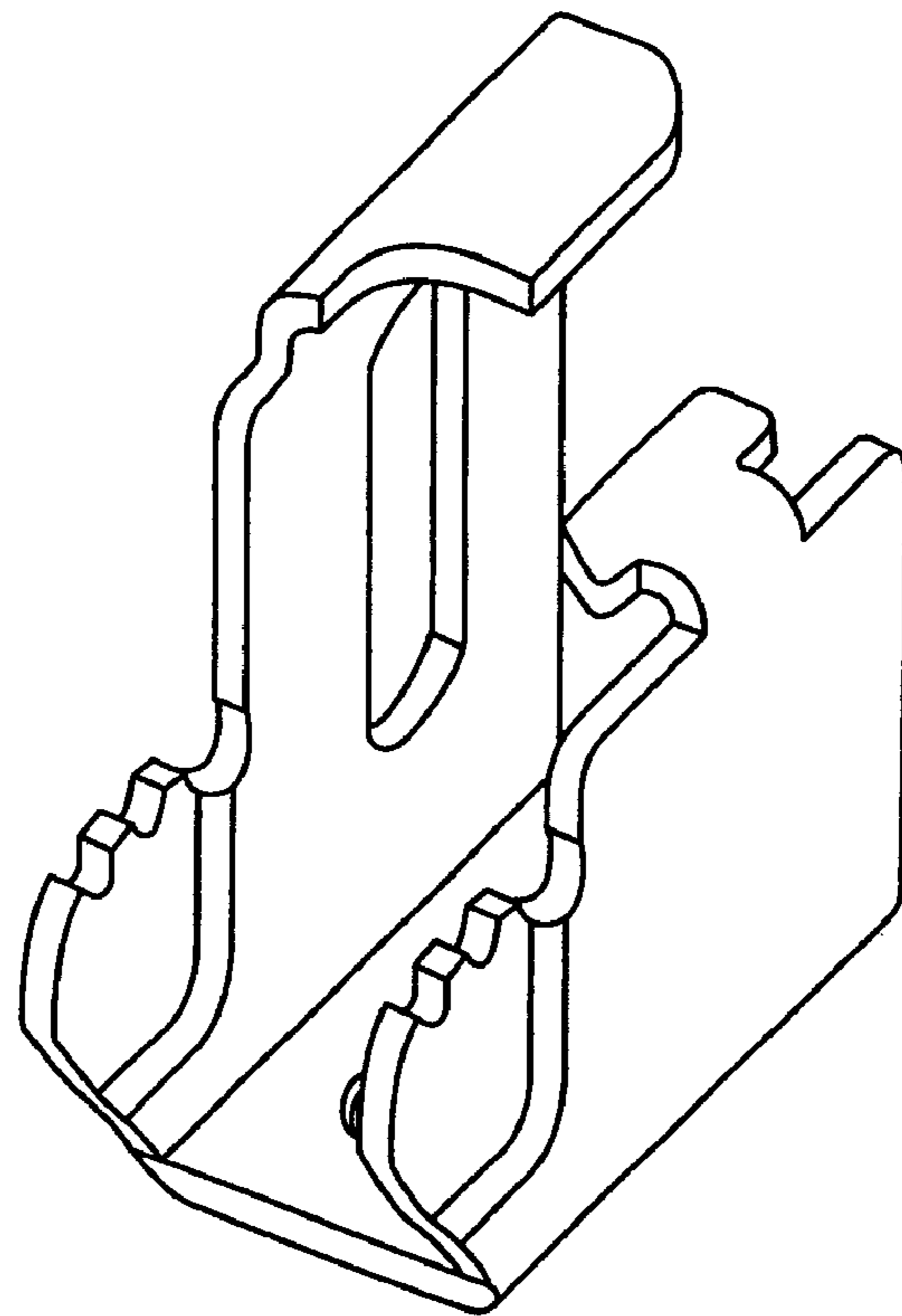


FIG. 1

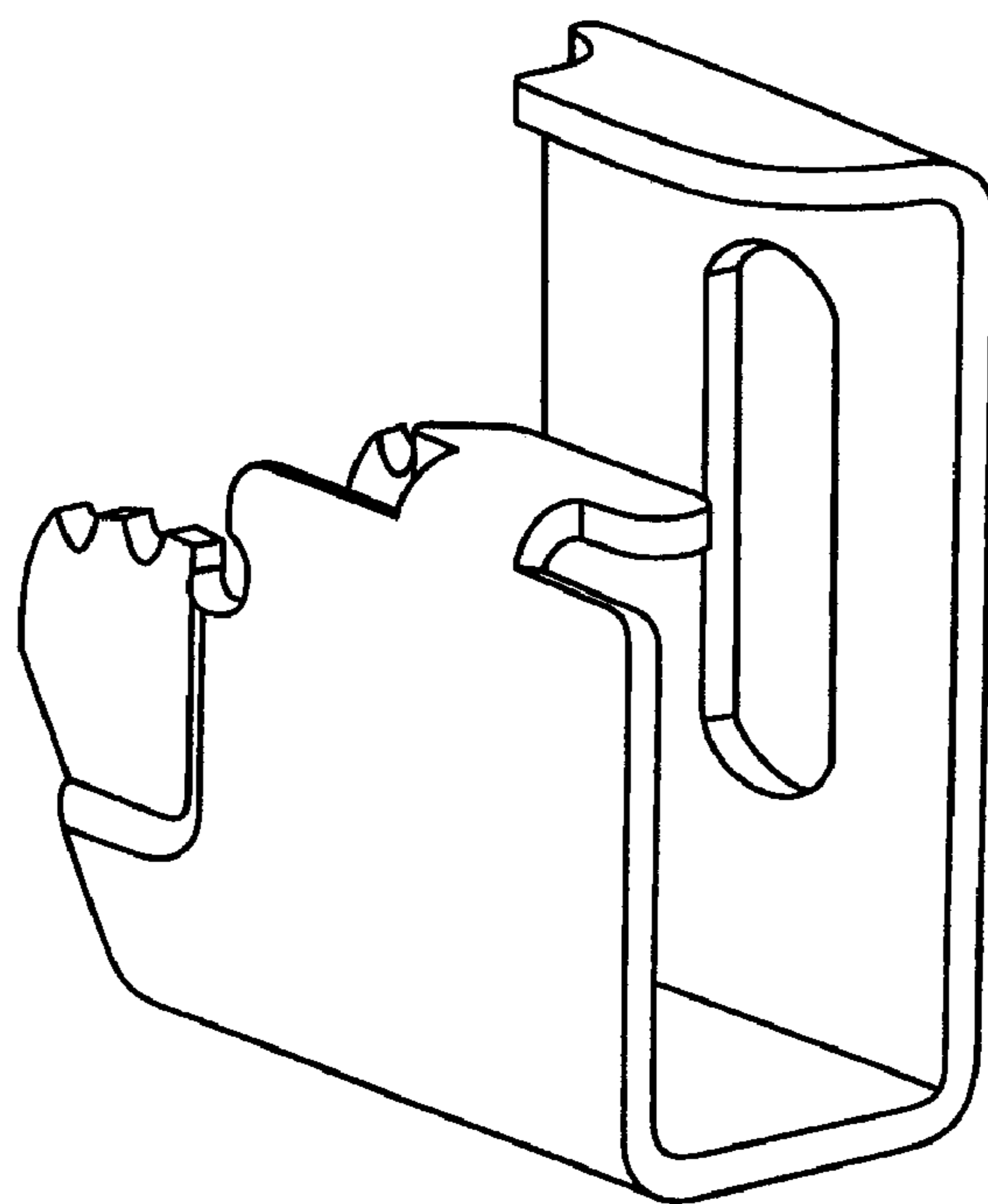


FIG. 2

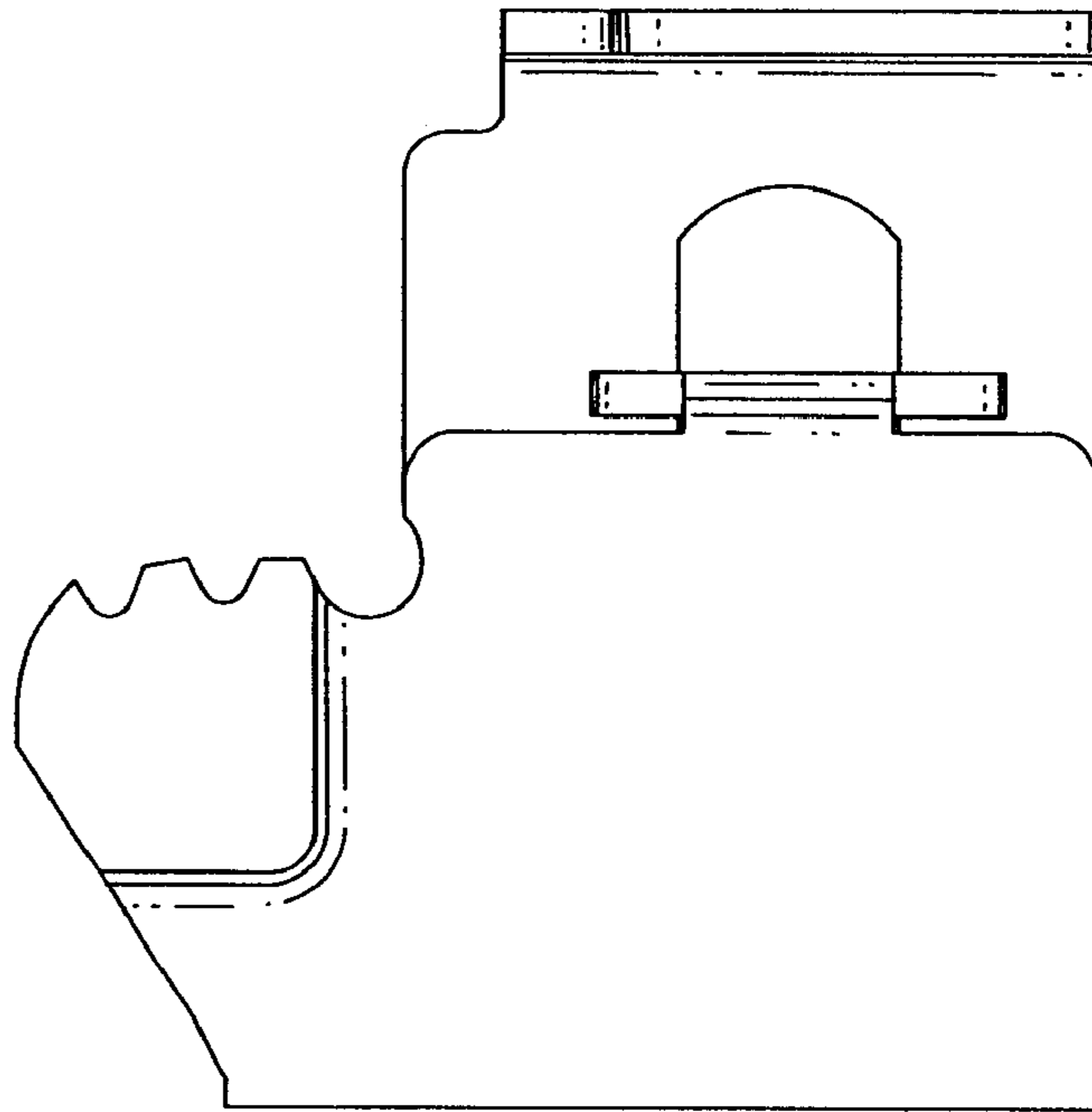


FIG. 3

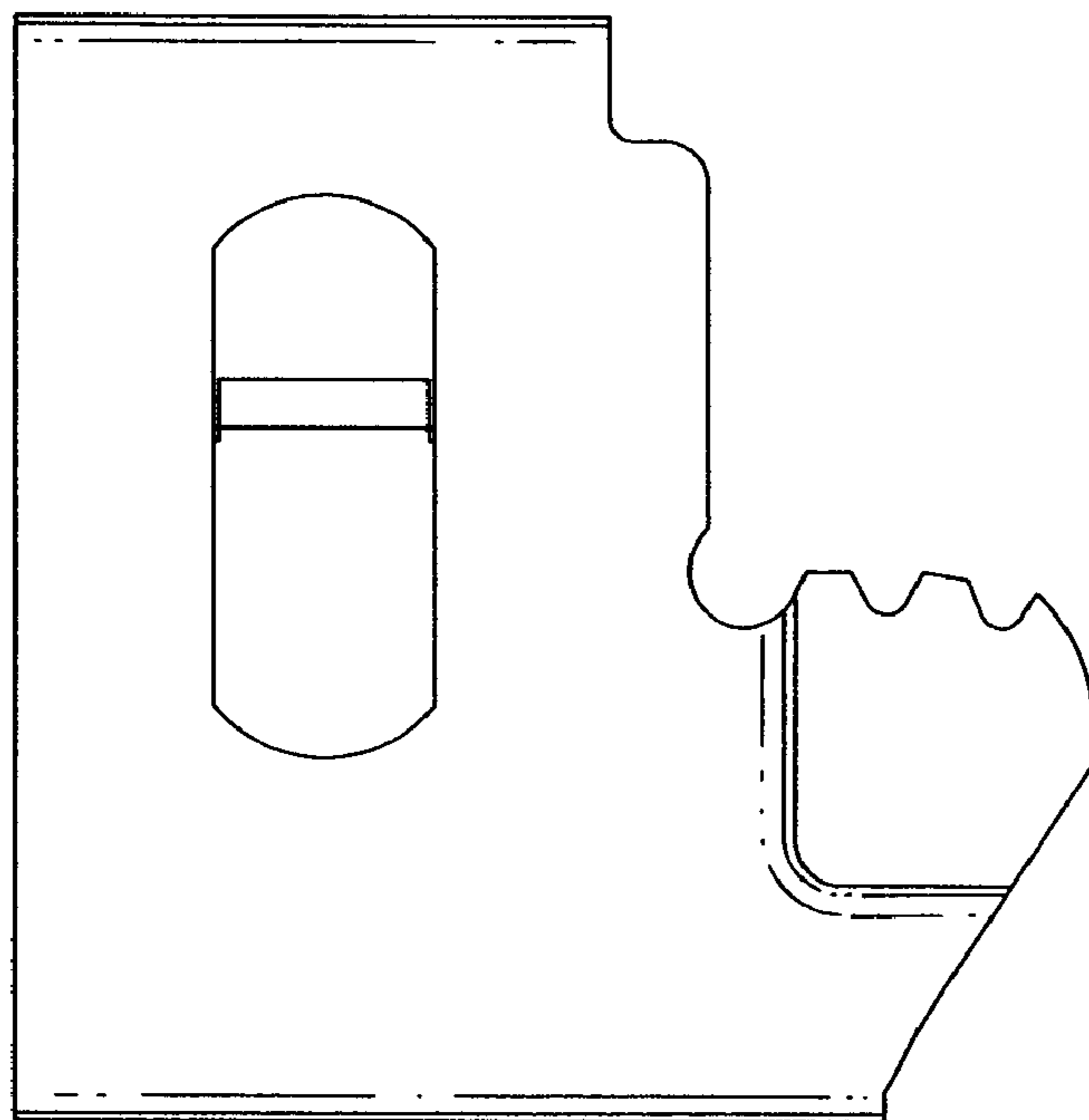


FIG. 4

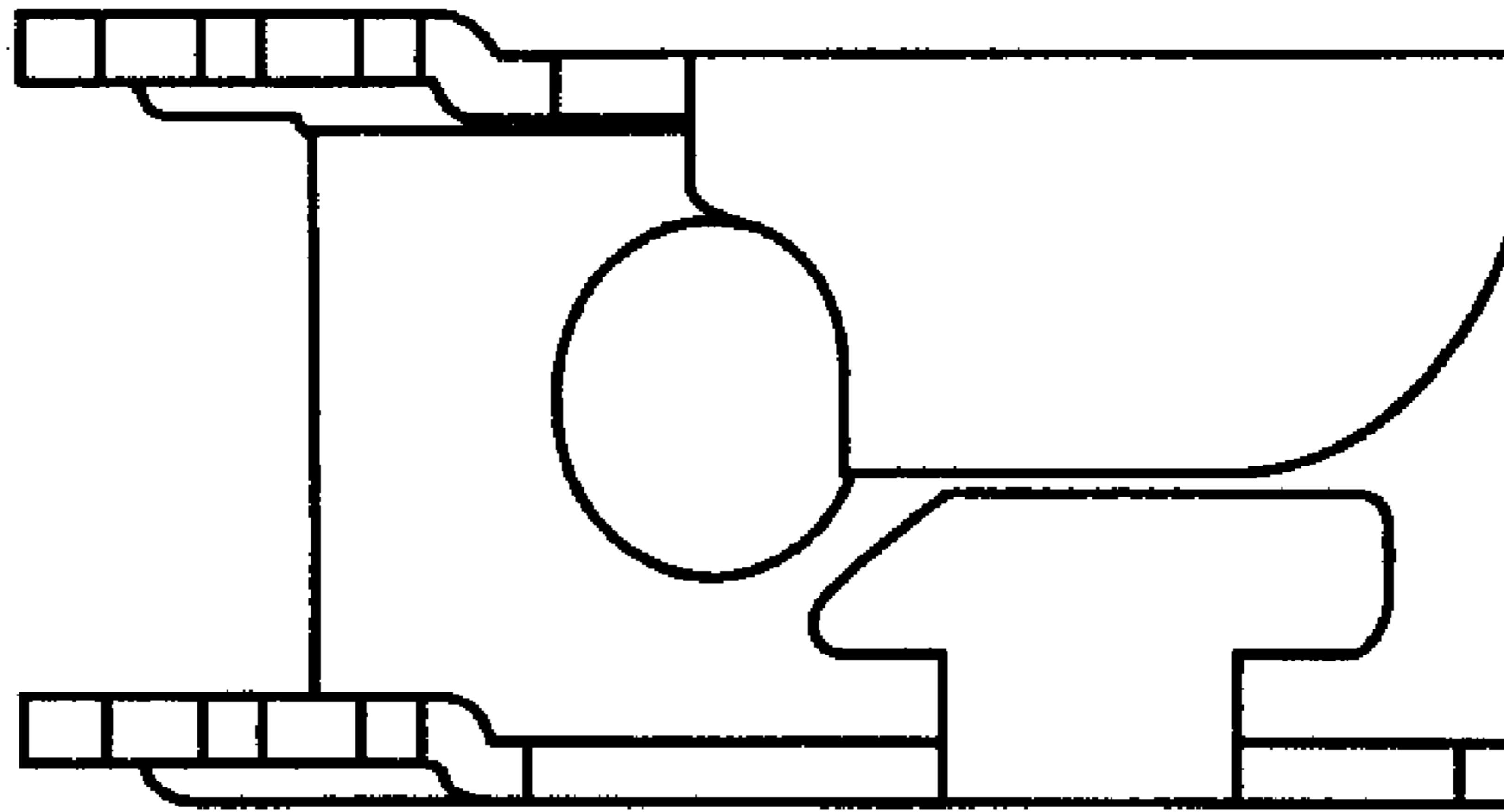


FIG. 5

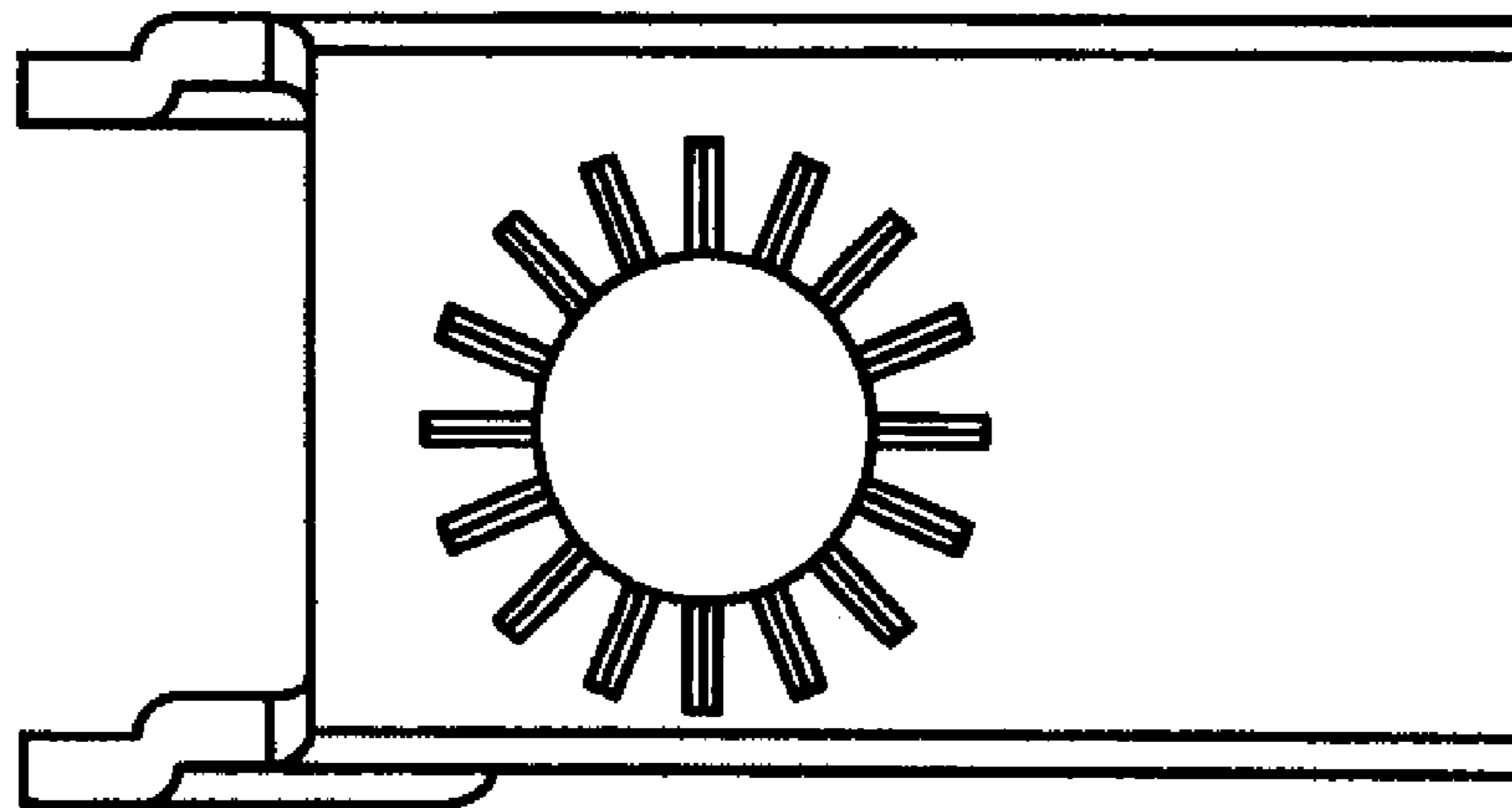


FIG. 6

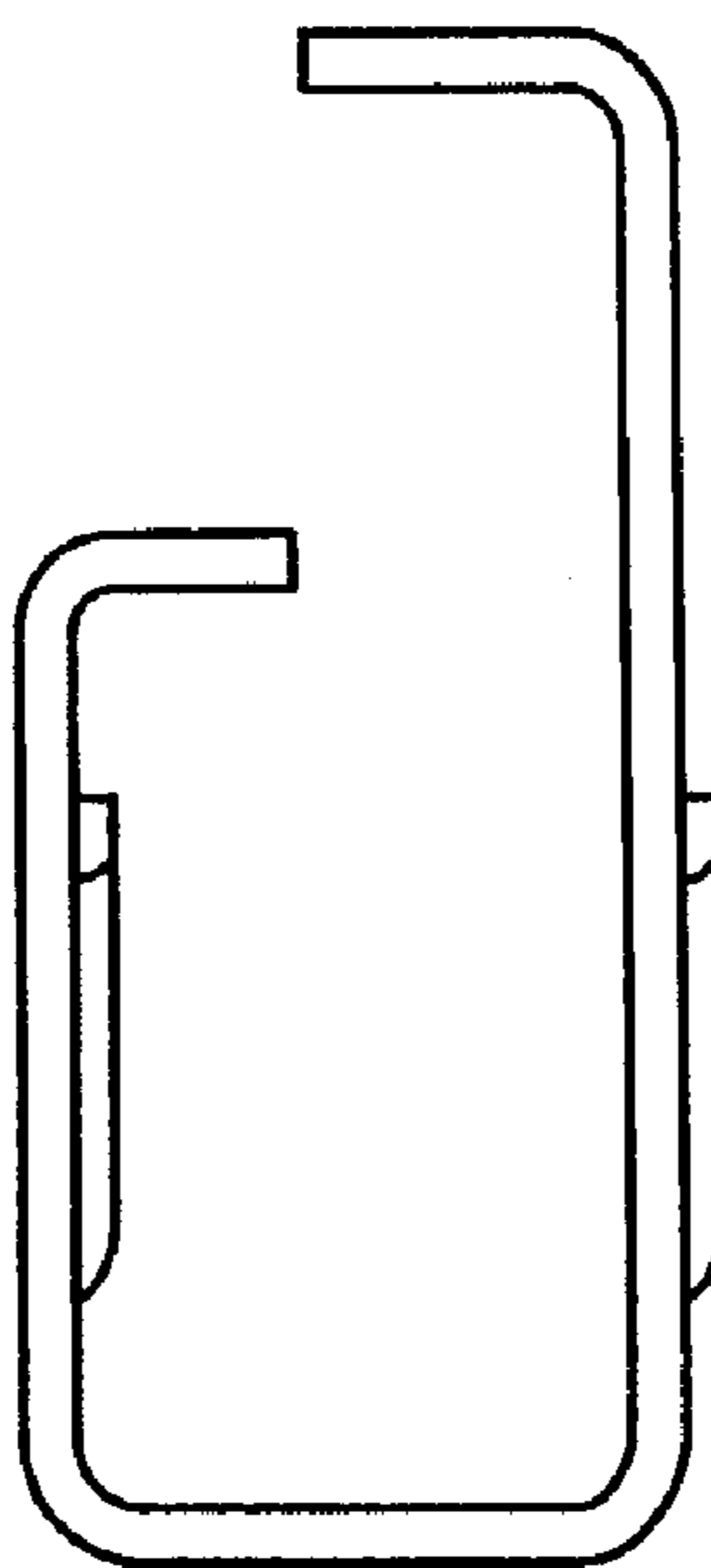


FIG. 7

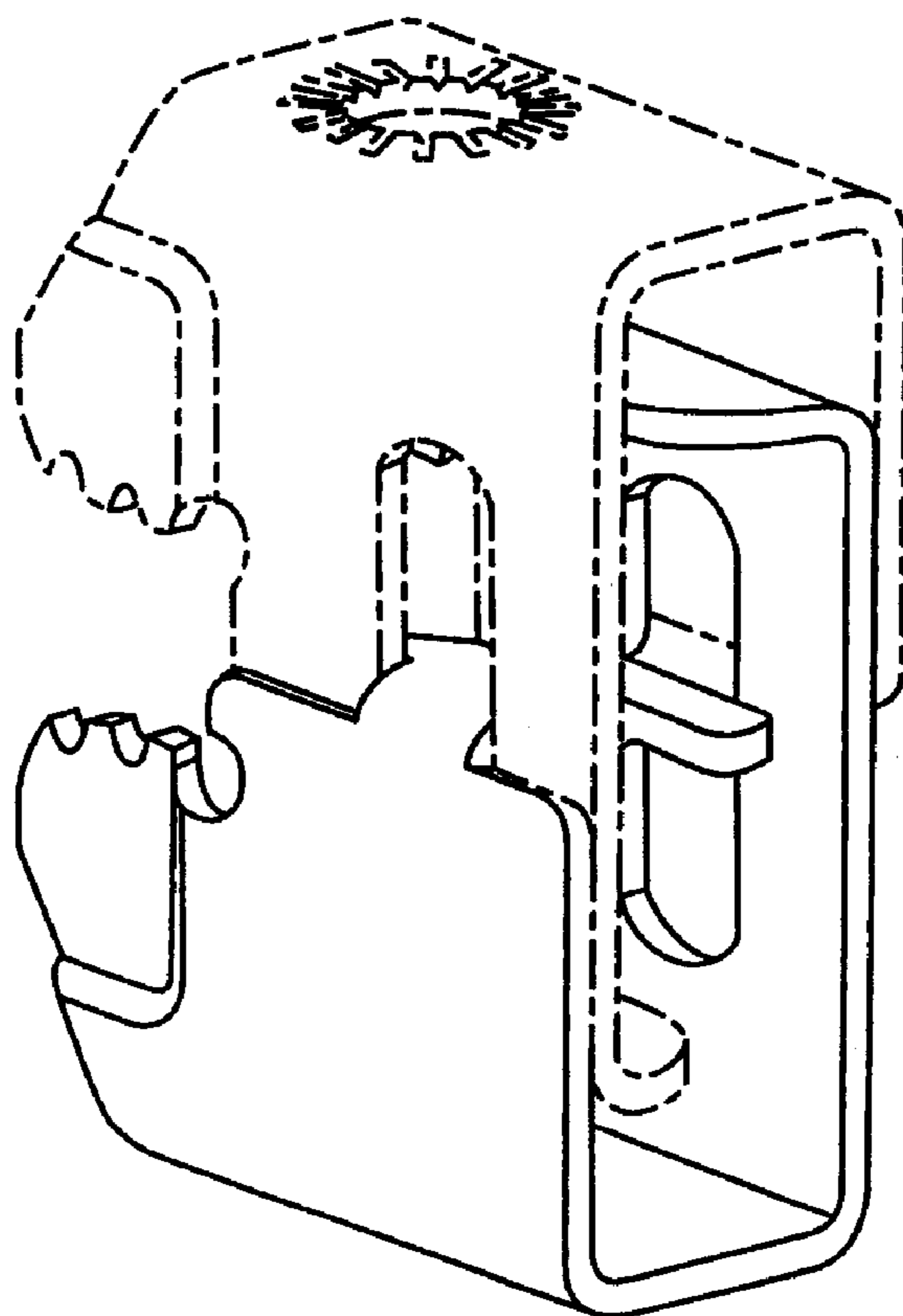


FIG. 8

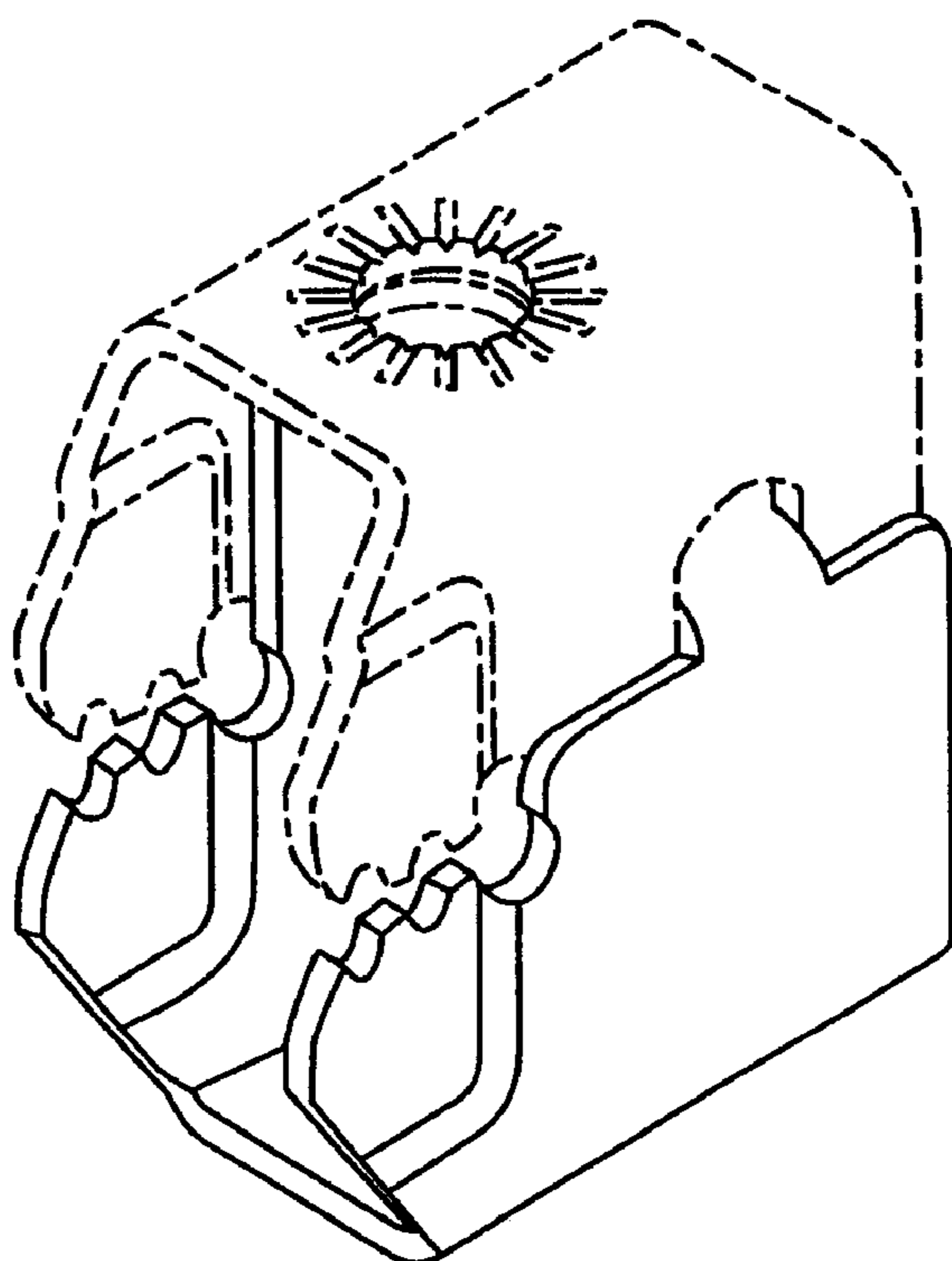


FIG. 9

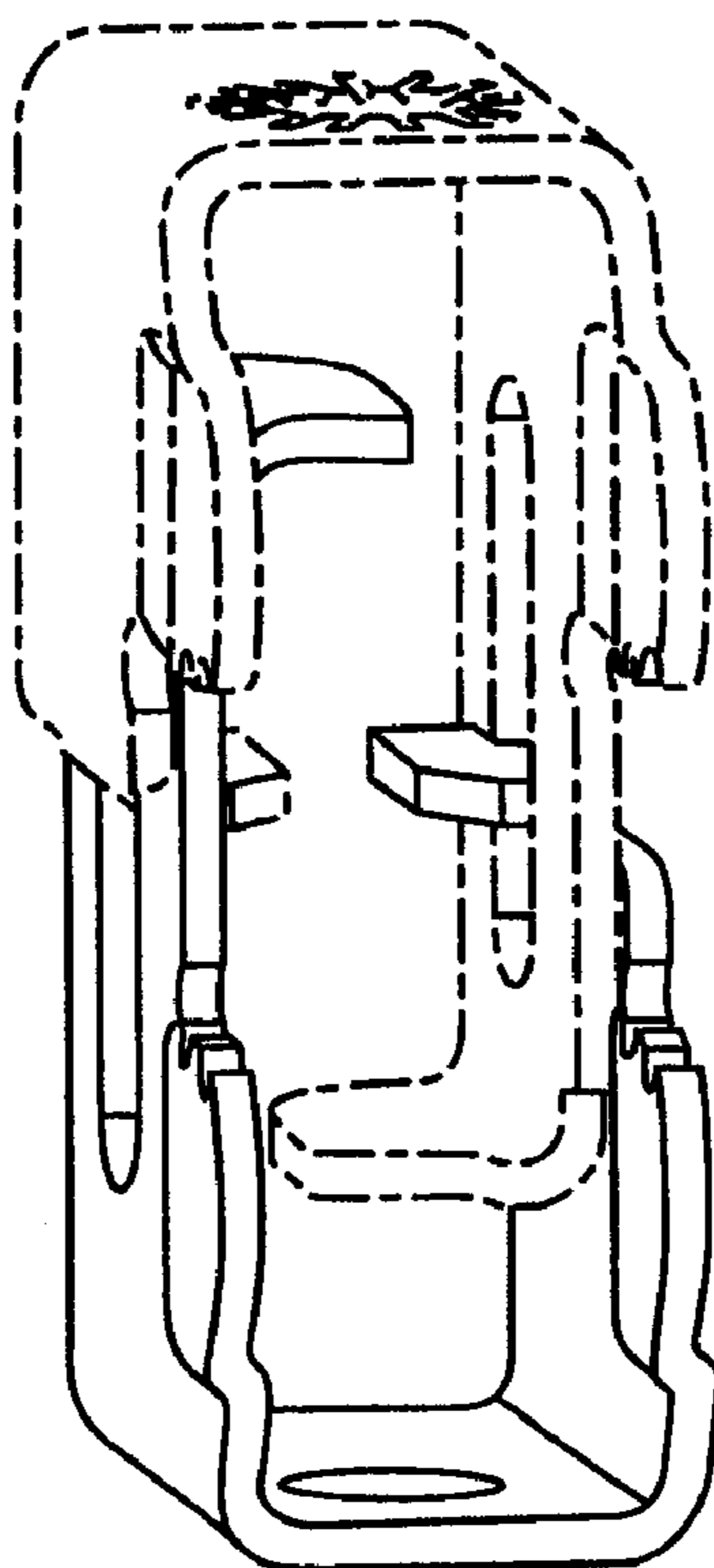


FIG. 10

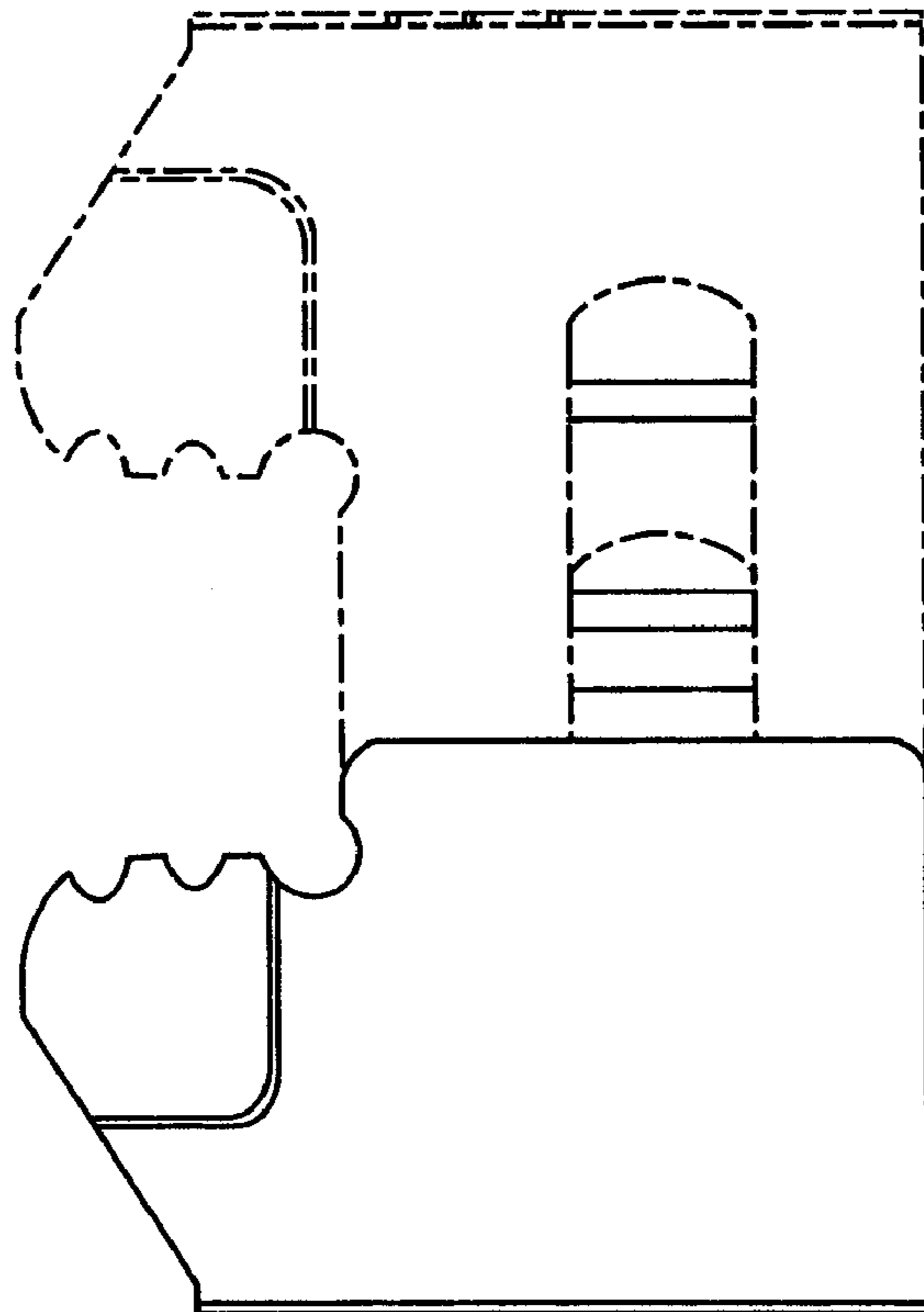


FIG. 11

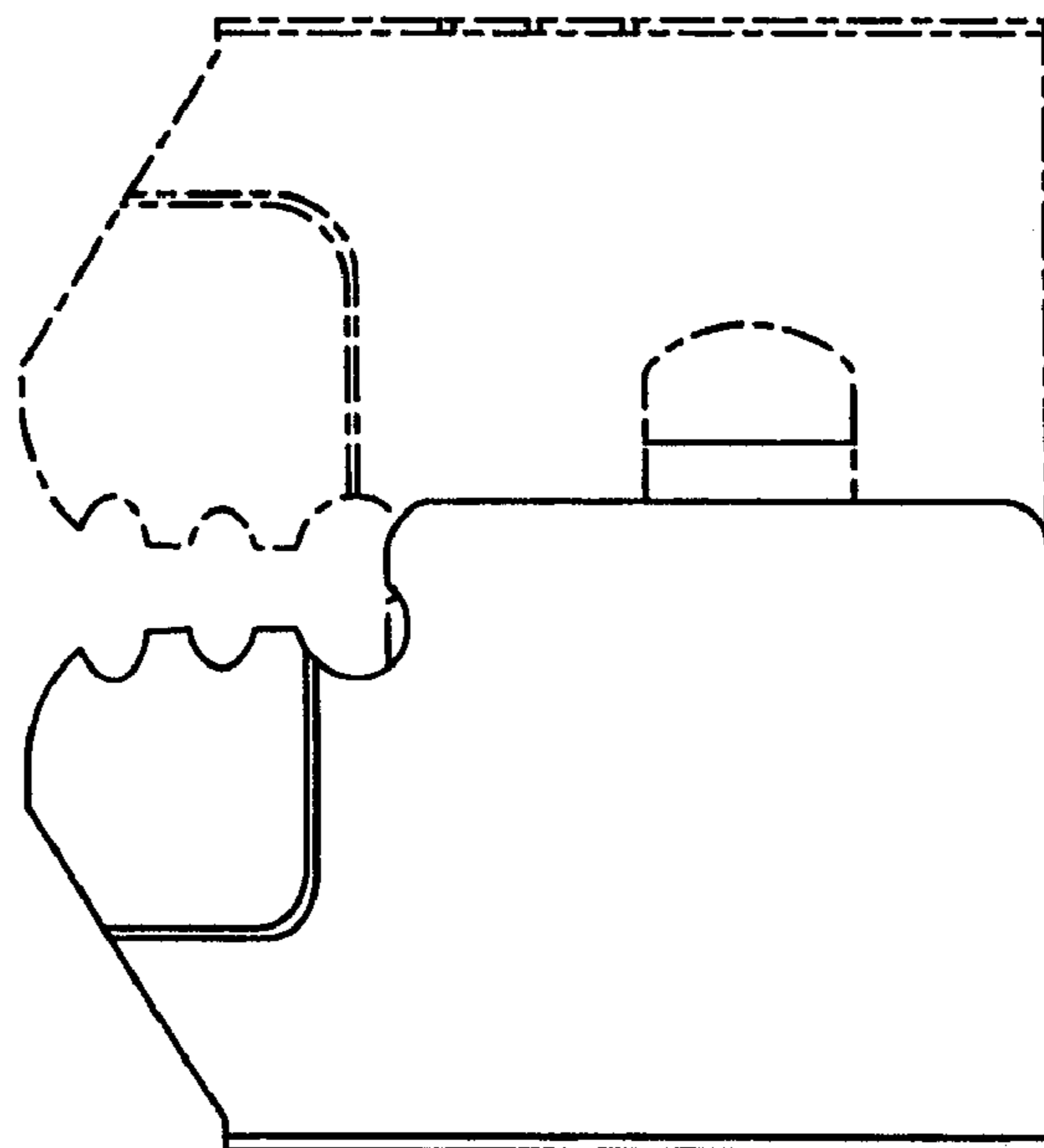


FIG. 12