

US00D523324S

(12) **United States Design Patent**
Miller et al.

(10) **Patent No.: US D523,324 S**

(45) **Date of Patent: ** Jun. 20, 2006**

(54) **SECURE LOCK**

(75) Inventors: **Shawn W. Miller**, Columbia, SC (US);
David Rocheleau, Lexington, SC (US);
Mohammad R. Sadeghi, Columbia, SC
(US); **Walter Zahn**, Columbia, SC
(US); **Bernd Hansen**, Laufen (DE)

(73) Assignee: **Holopack International Corp.**,
Columbia, SC (US)

(**) Term: **14 Years**

(21) Appl. No.: **29/232,966**

(22) Filed: **Jun. 24, 2005**

Related U.S. Application Data

(63) Continuation of application No. 29/220,198, filed on Dec. 28, 2004, now abandoned.

(51) **LOC (8) Cl.** **08-07**

(52) **U.S. Cl.** **D8/330**; D8/331

(58) **Field of Classification Search** D8/330,
D8/331, 398, 394, 343, 499; D9/686, 687,
D9/688, 740, 742, 744; 70/57.1, 416, 465,
70/466, 431, 419, 422, DIG. 26; 220/260,
220/265, 266, 277; 215/40.48

See application file for complete search history.

(56) **References Cited**

U.S. PATENT DOCUMENTS

442,696 A 12/1890 Thompson
3,295,730 A * 1/1967 Moran 222/553
3,356,244 A 12/1967 Wittchell 215/32
3,917,120 A * 11/1975 Larenz et al. 222/129
3,993,223 A 11/1976 Welker, III et al. 222/107

4,207,990 A * 6/1980 Weiler et al. 220/267
4,298,045 A 11/1981 Weiler et al. 150/0.5
4,502,616 A * 3/1985 Meierhoefer 222/215
D282,348 S 1/1986 Federighi D9/341
4,632,276 A * 12/1986 Makino 222/80
5,035,689 A 7/1991 Schroeder 604/234
5,409,125 A 4/1995 Kimber et al. 215/32
5,817,082 A 10/1998 Niedospial, Jr. et al. 604/414
5,902,298 A 5/1999 Niedospial, Jr. et al. 604/414
5,908,124 A 6/1999 Klauke et al. 215/48
6,029,322 A * 2/2000 Belotti et al. 24/704.1
D426,870 S * 6/2000 Selepouchin D23/245
6,173,852 B1 1/2001 Browne 215/247
6,283,320 B1 9/2001 Patch 220/88.1
6,446,475 B1 * 9/2002 Agnatovech et al. 70/379 R
6,626,308 B1 9/2003 Weiler 215/48
D484,786 S * 1/2004 O'Connor D8/398
D498,408 S * 11/2004 Haas D8/338
6,874,665 B1 * 4/2005 Doherty et al. 222/541.5

* cited by examiner

Primary Examiner—Prabhakar Deshmukh

(74) *Attorney, Agent, or Firm*—Nelson Mullins Riley & Scarborough, LLC

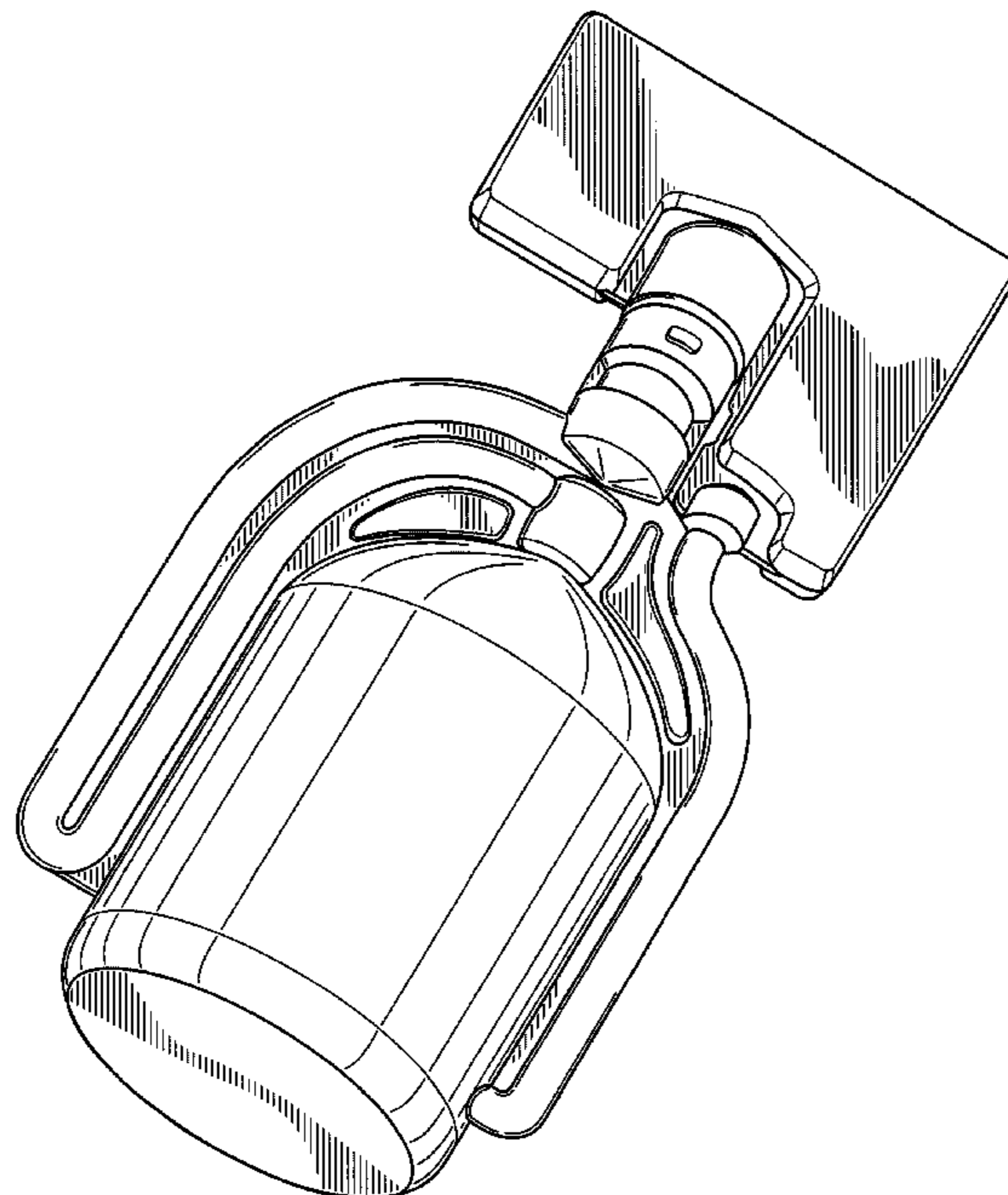
(57) **CLAIM**

The ornamental design for a secure lock, as shown and described.

DESCRIPTION

FIG. 1 is a perspective view of a secure lock showing our new design;
FIG. 2 is a front elevational view thereof;
FIG. 3 is a left side elevational view thereof;
FIG. 4 is a right side elevational view thereof;
FIG. 5 is a top plan view thereof; and,
FIG. 6 is a bottom plan view thereof.

1 Claim, 3 Drawing Sheets



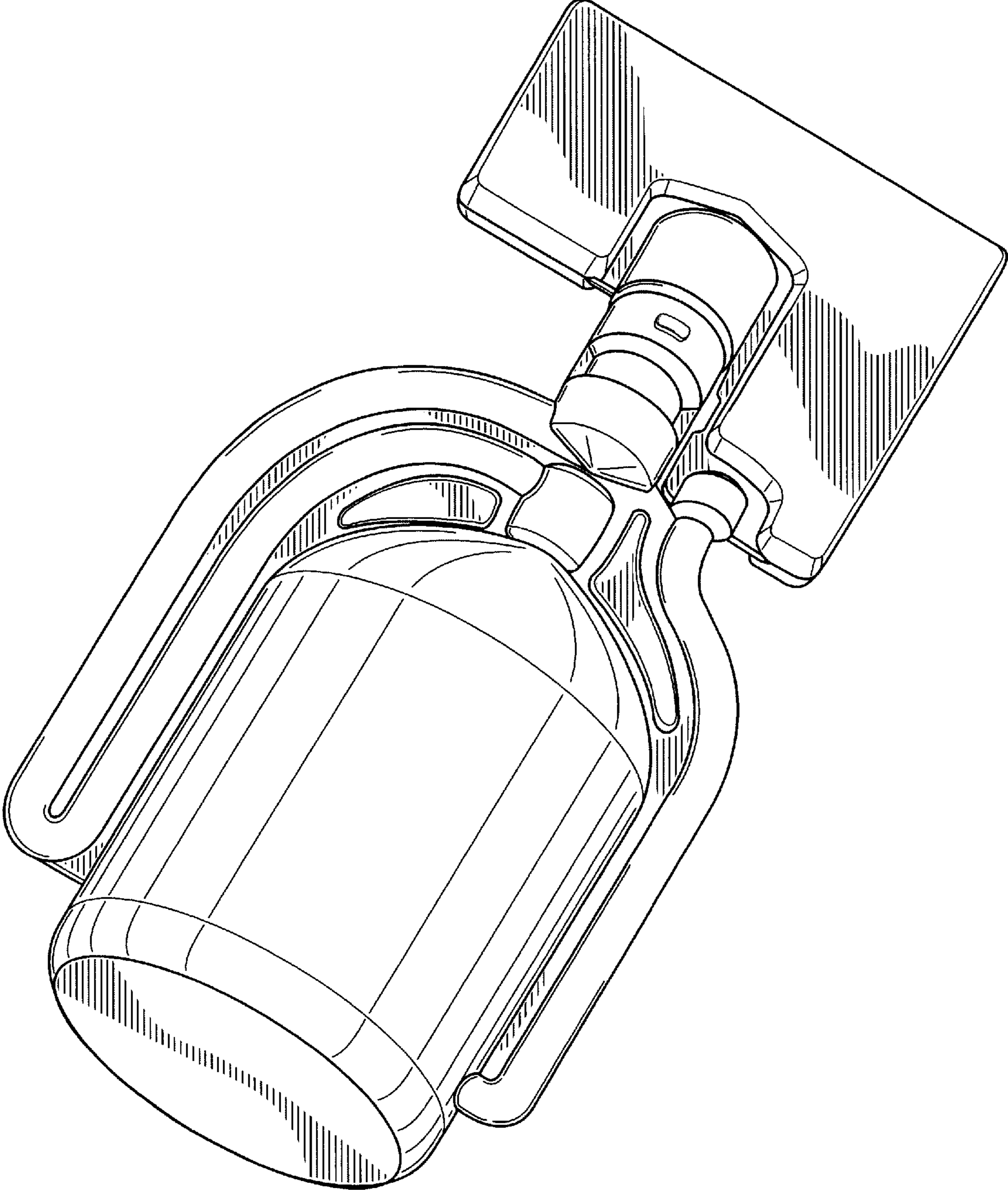


Fig. 1

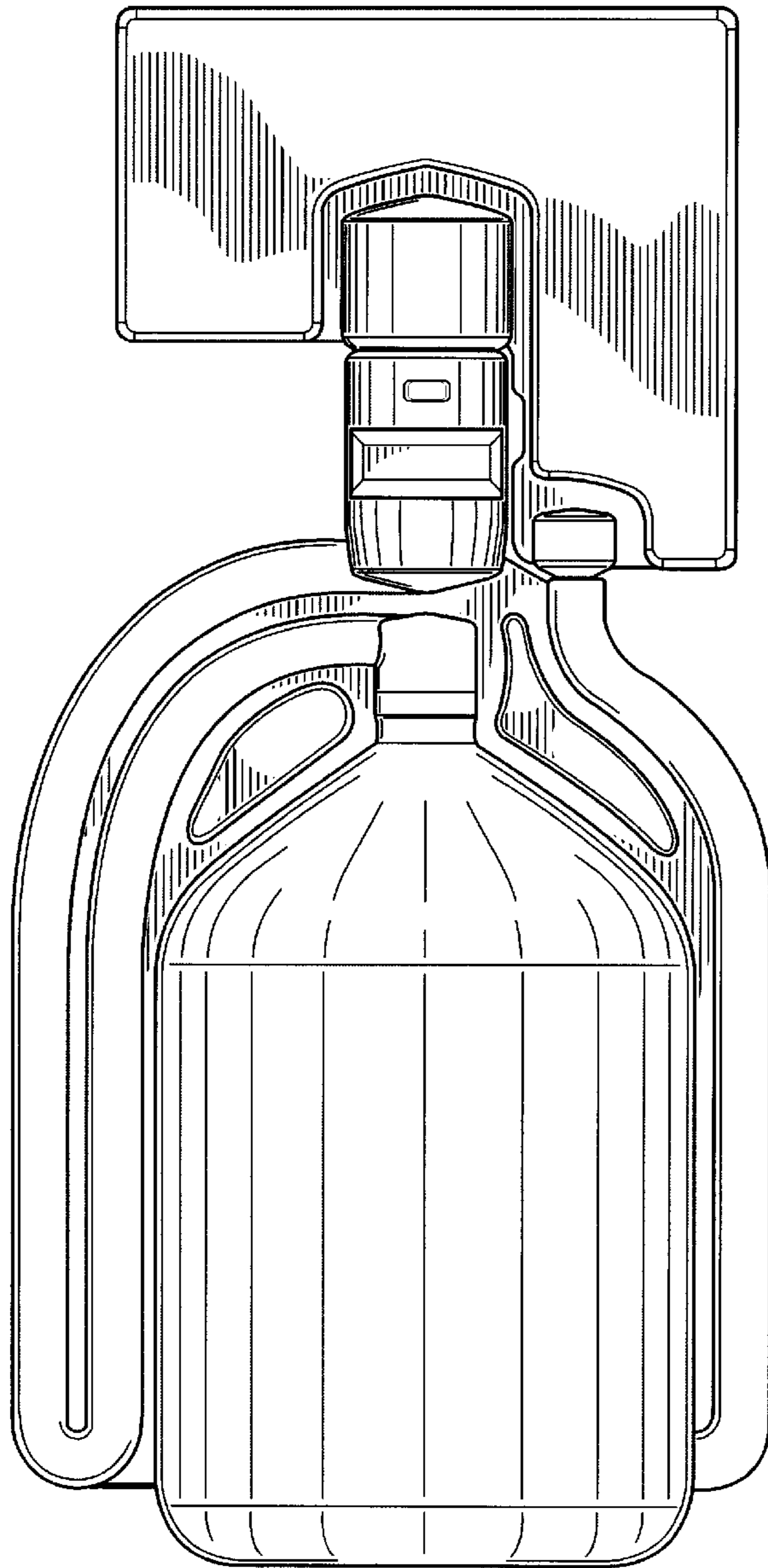


Fig. 2

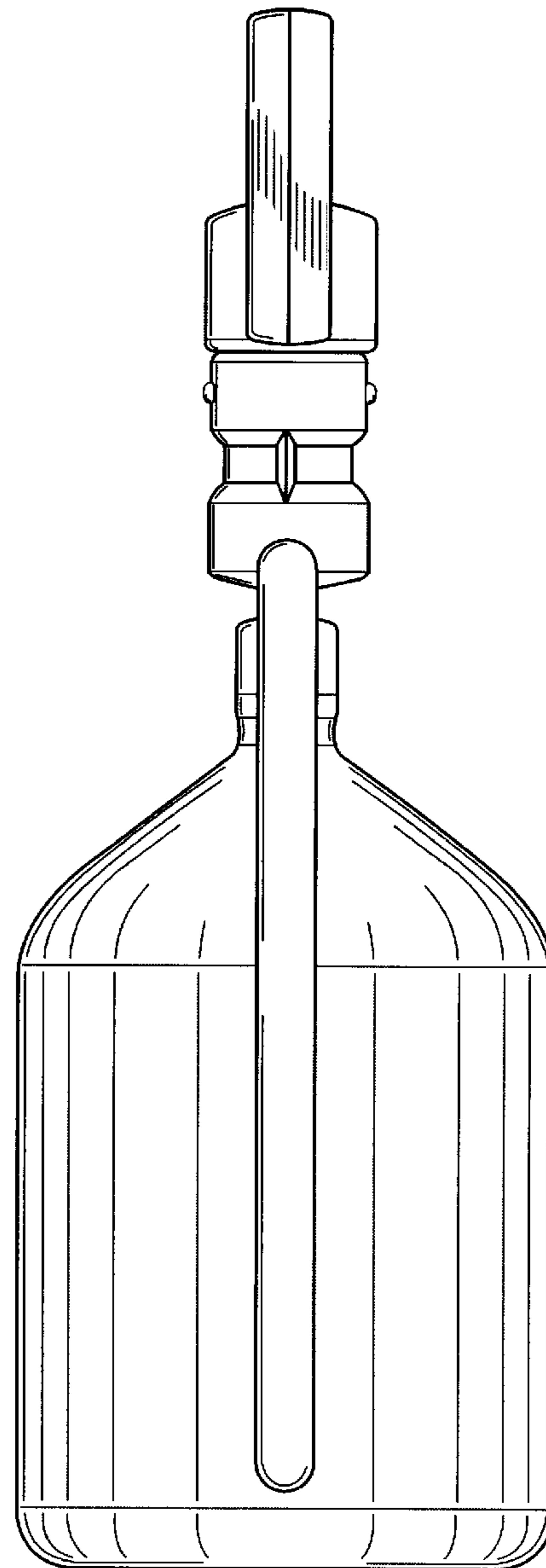


Fig. 3

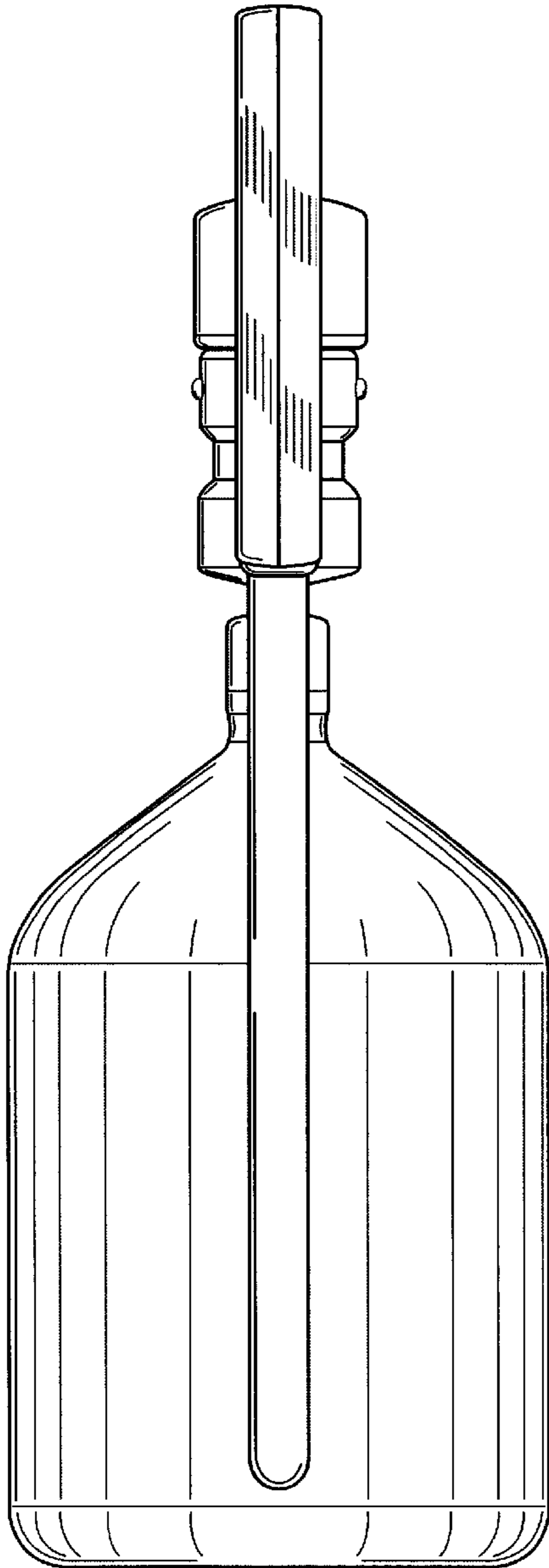


Fig. 4

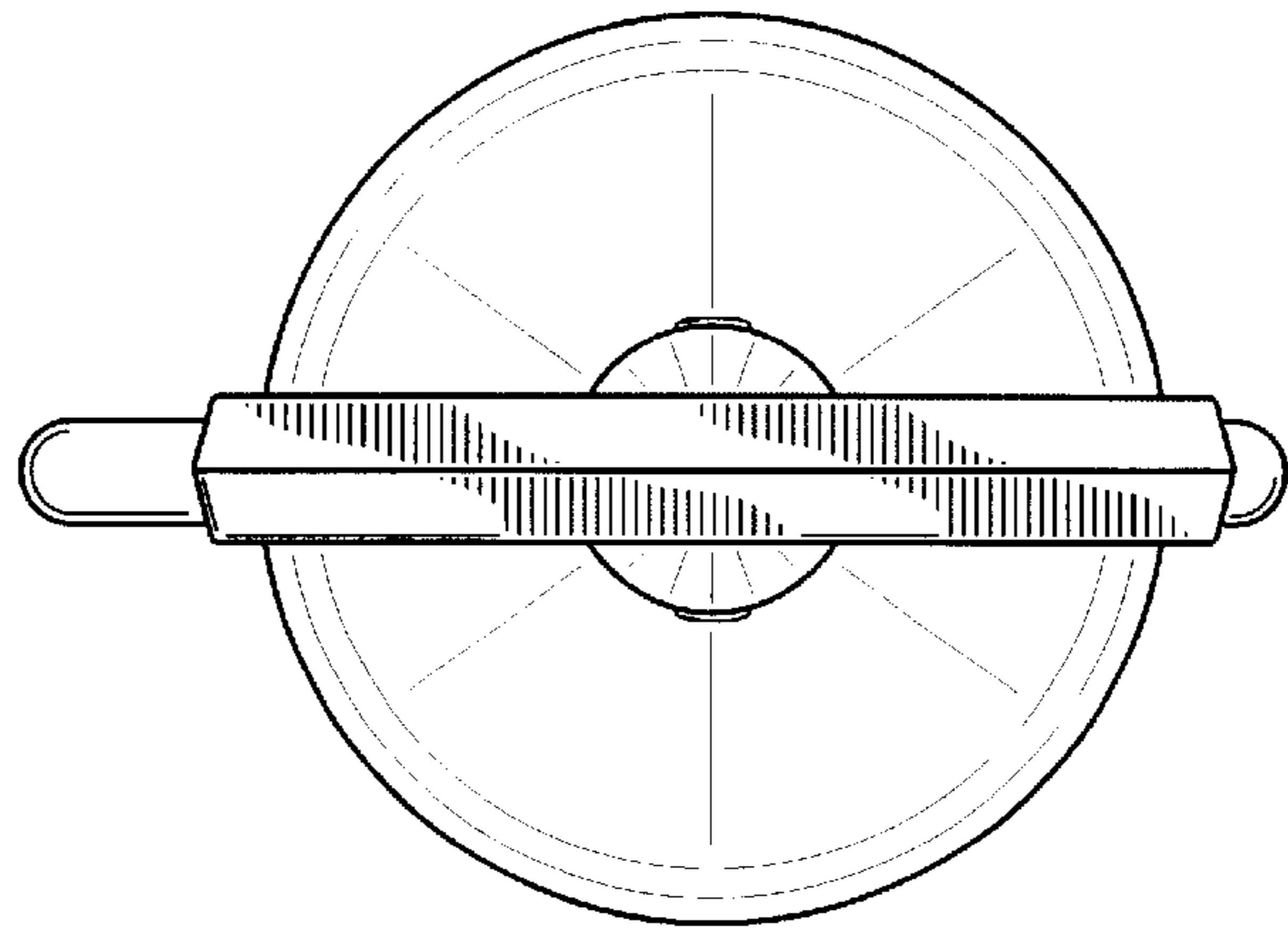


Fig. 5

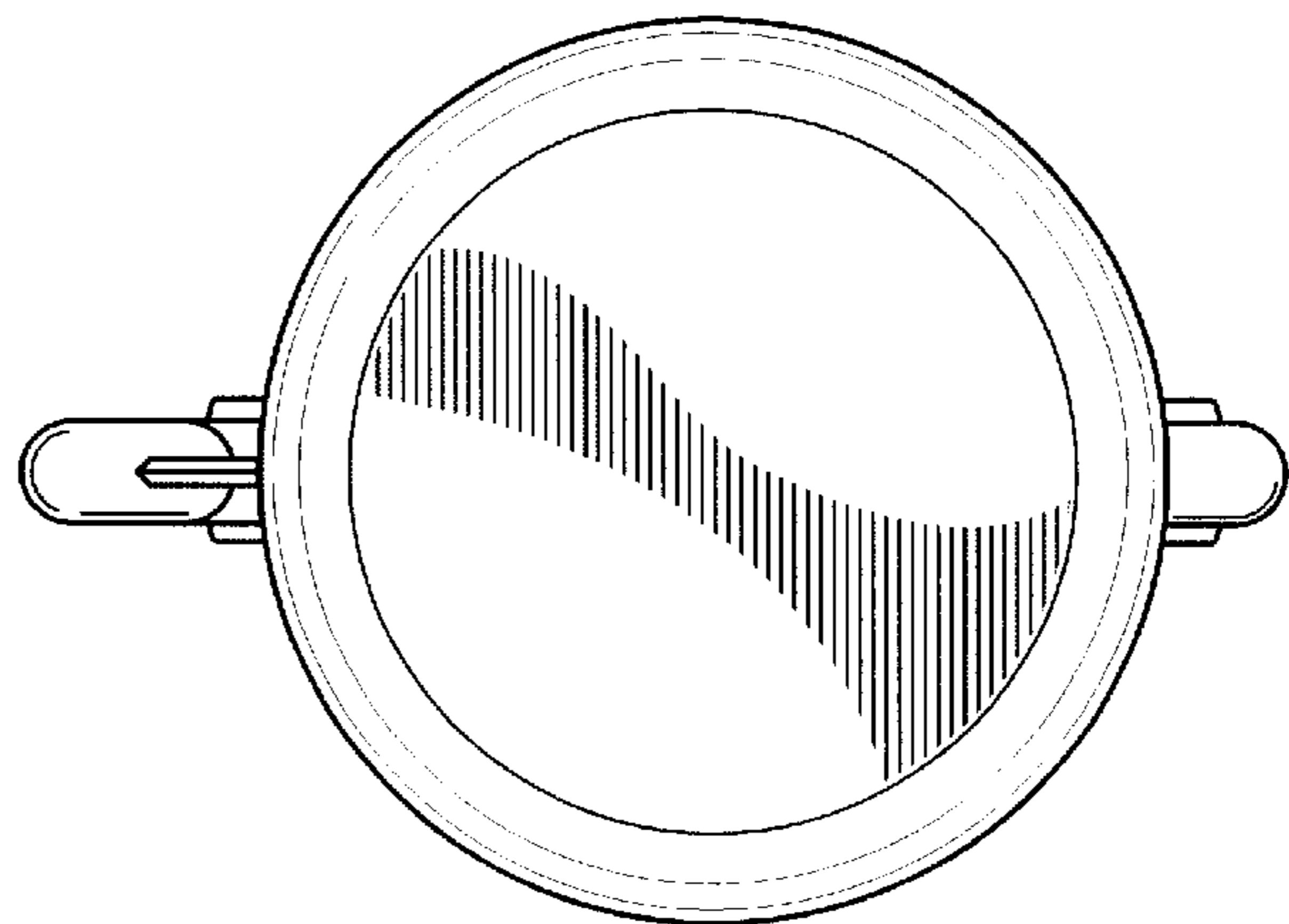


Fig. 6