



US00D523323S

(12) **United States Design Patent**
Domenig et al.

(10) **Patent No.:** **US D523,323 S**
(45) **Date of Patent:** **** Jun. 20, 2006**

- (54) **LOW PROFILE HINGE**
- (75) Inventors: **Georg Domenig**, Kernersville, NC (US); **Jeffrey W. Morgan**, High Point, NC (US); **Manfred Peer**, Walkertown, NC (US)
- (73) Assignee: **Grass America Inc.**, Kernersville, NC (US)
- (**) Term: **14 Years**
- (21) Appl. No.: **29/224,147**
- (22) Filed: **Feb. 25, 2005**
- (51) **LOC (8) Cl.** **08-06**
- (52) **U.S. Cl.** **D8/323**
- (58) **Field of Classification Search** D8/323, D8/324, 325, 326, 327, 328, 329, 349, 354, D8/356; 16/234-237, 239-241, 245-246, 16/249, 254, 261-262, 265, 272, 277, 307, 16/319, 335, 339, 342, 379, 381-383, 384, 16/385, 386, 387, 388, 389, 221, DIG. 13, 16/DIG. 40, DIG. 43; 4/236, 237, 238, 239, 4/240; D23/303; 248/200, 221.11, 300, 309.1, 248/317; D7/334, 337, 402
See application file for complete search history.

5,781,967 A *	7/1998	Domenig et al.	16/249
5,826,305 A *	10/1998	Domenig et al.	16/235
5,884,364 A *	3/1999	Domenig et al.	16/249
5,964,010 A *	10/1999	Huber	16/237
6,125,510 A *	10/2000	Domenig	16/236
6,167,590 B1 *	1/2001	Domenig	16/236
6,170,121 B1 *	1/2001	Domenig	16/236
D451,000 S *	11/2001	Karl	D8/323
6,460,219 B1 *	10/2002	Domenig et al.	16/241
6,470,531 B1 *	10/2002	Domenig et al.	16/241
D477,982 S *	8/2003	Domenig et al.	D8/323
6,647,591 B1 *	11/2003	Domenig et al.	16/246
6,810,563 B1 *	11/2004	Domenig et al.	16/387
6,845,544 B1 *	1/2005	Hofer	16/246
2003/0093877 A1 *	5/2003	Hofer	16/235
2004/0107542 A1 *	6/2004	Rock	16/387
2004/0163211 A1 *	8/2004	Rucker	16/235
2004/0163212 A1 *	8/2004	Isele	16/235
2004/0163213 A1 *	8/2004	Isele	16/245

* cited by examiner

Primary Examiner—Janice E. Seeger
Assistant Examiner—T. Chase Nelson
 (74) *Attorney, Agent, or Firm*—John M. Harrington; Kilpatrick Stockton LLP

(57) **CLAIM**

We claim the ornamental design for a low profile hinge, as shown and described.

(56) **References Cited**

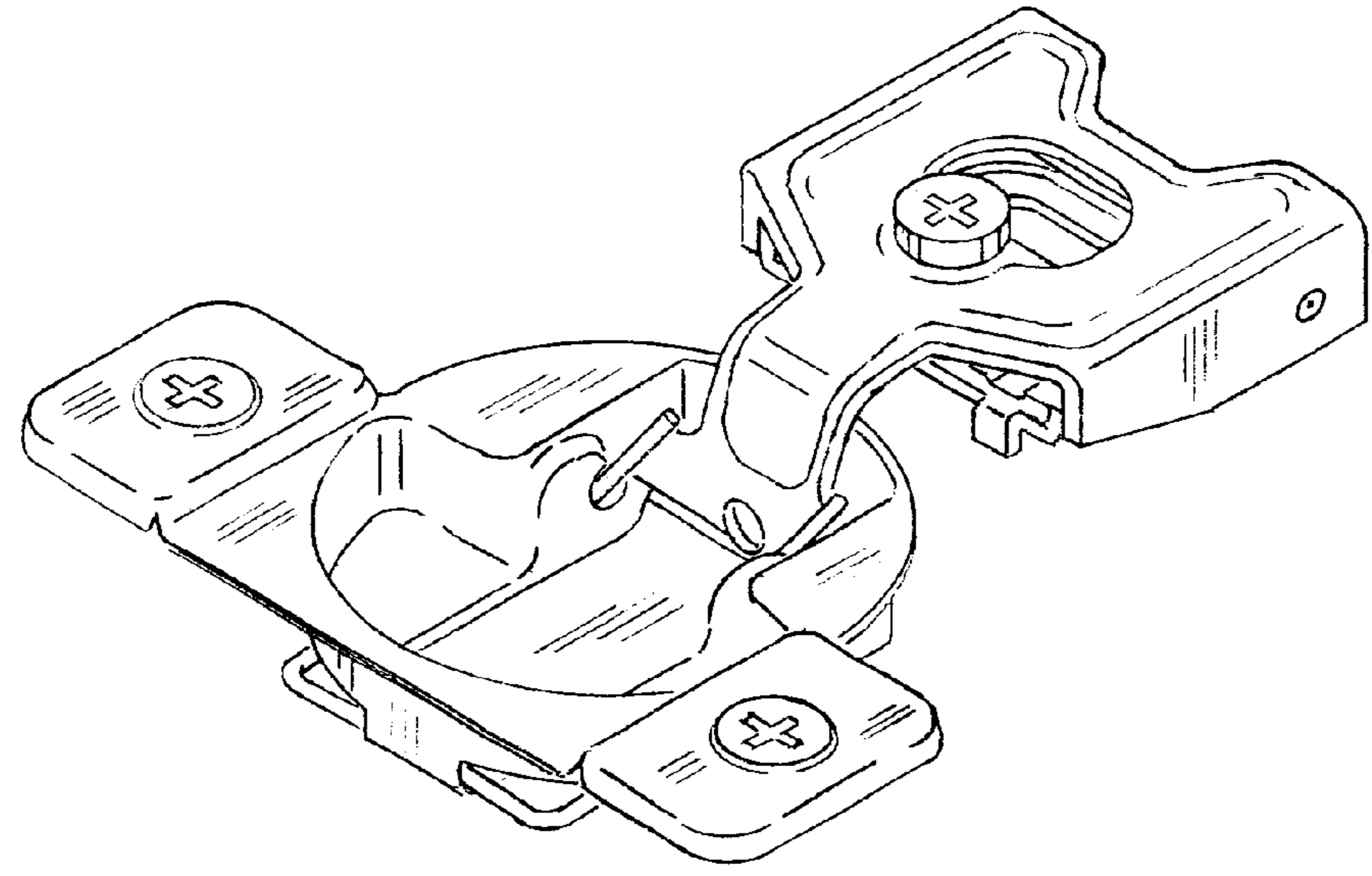
U.S. PATENT DOCUMENTS

4,376,324 A *	3/1983	Lautenschlager et al.	16/236
D272,123 S *	1/1984	Rock et al.	D8/323
D272,124 S *	1/1984	Rock et al.	D8/323
D272,211 S *	1/1984	Rock et al.	D8/354
D299,616 S *	1/1989	Ferrari	D8/323
5,283,929 A *	2/1994	Lin	D8/323
5,524,323 A *	6/1996	Lin	16/235
5,611,113 A *	3/1997	Rock et al.	16/235
5,621,947 A *	4/1997	Fitz et al.	16/249
5,664,288 A *	9/1997	Lautenschlager et al.	16/249

DESCRIPTION

FIG. 1 is a top perspective view of a low profile hinge of our new design.
 FIG. 2 is a bottom perspective view thereof.
 FIG. 3 is a left side elevation view thereof.
 FIG. 4 is a right side elevation view thereof.
 FIG. 5 is a top plan view thereof.
 FIG. 6 is a bottom plan view thereof.
 FIG. 7 is a front elevation view thereof; and,
 FIG. 8 is a rear elevation view thereof.

1 Claim, 5 Drawing Sheets



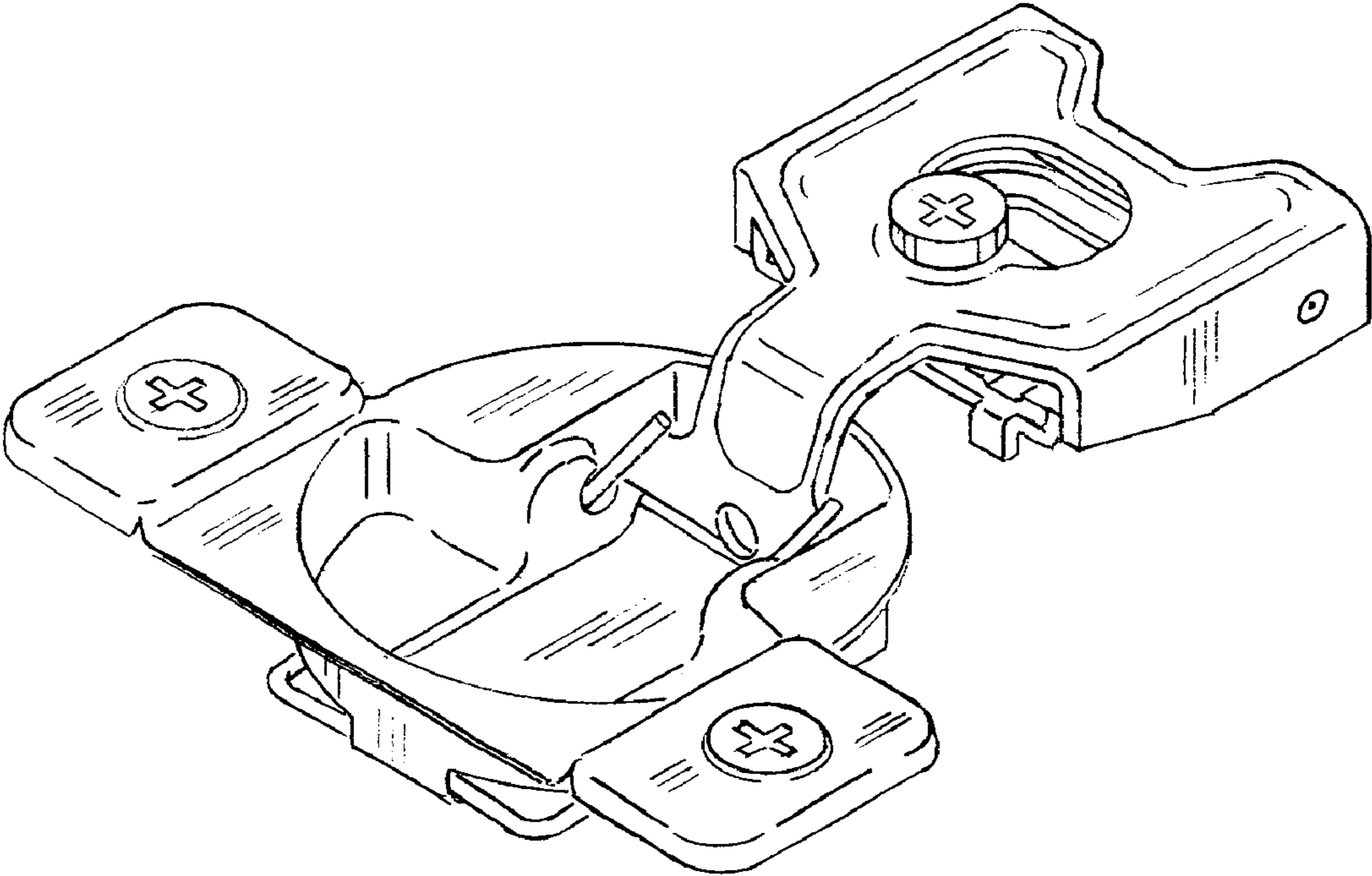


FIG. 1

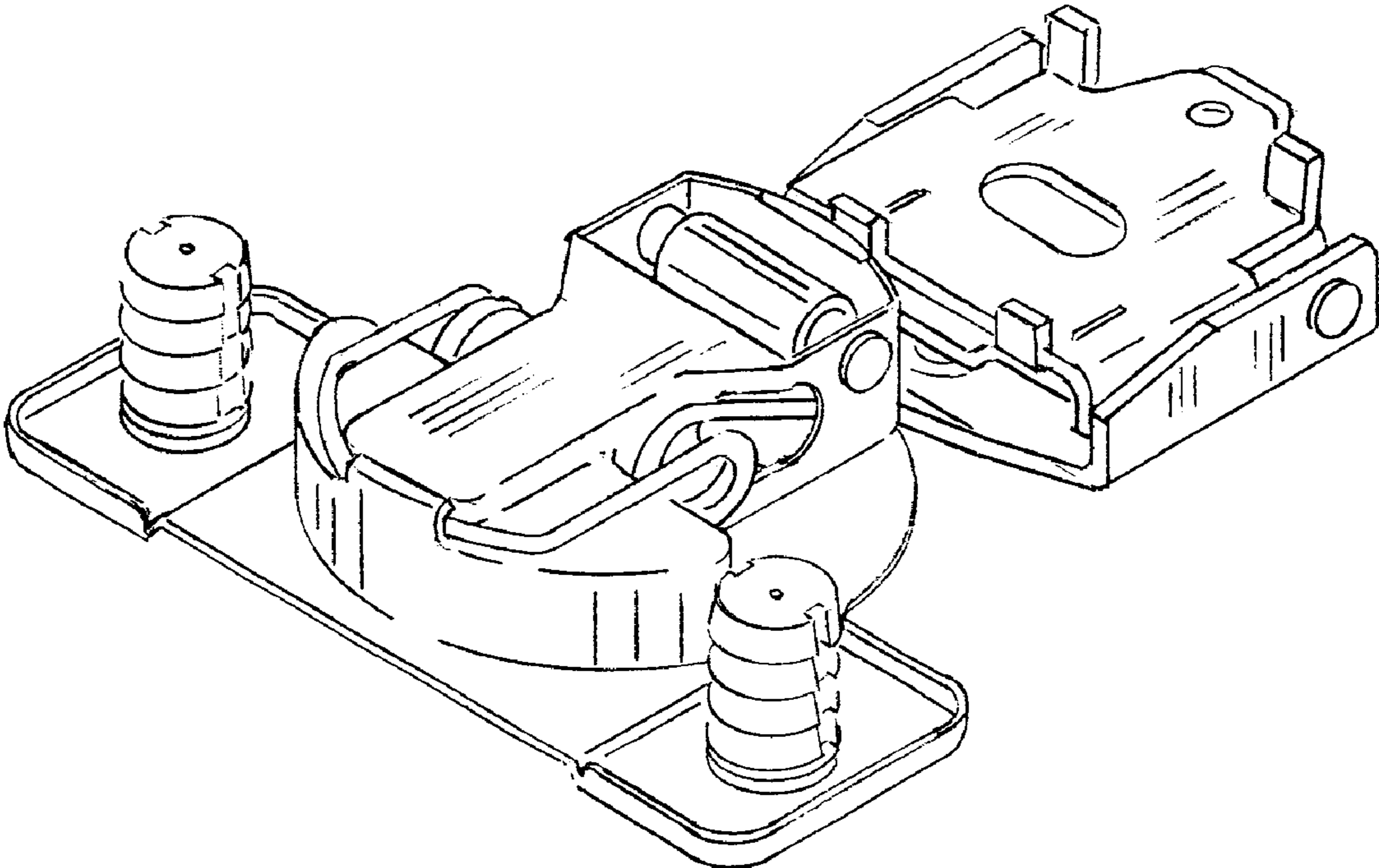


FIG. 2

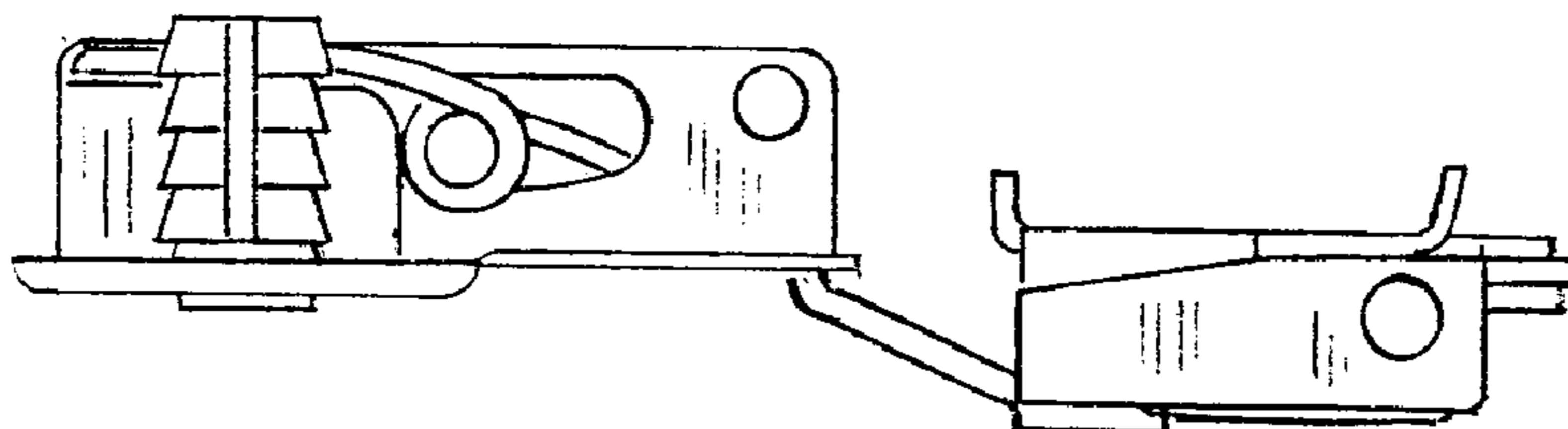


FIG. 3

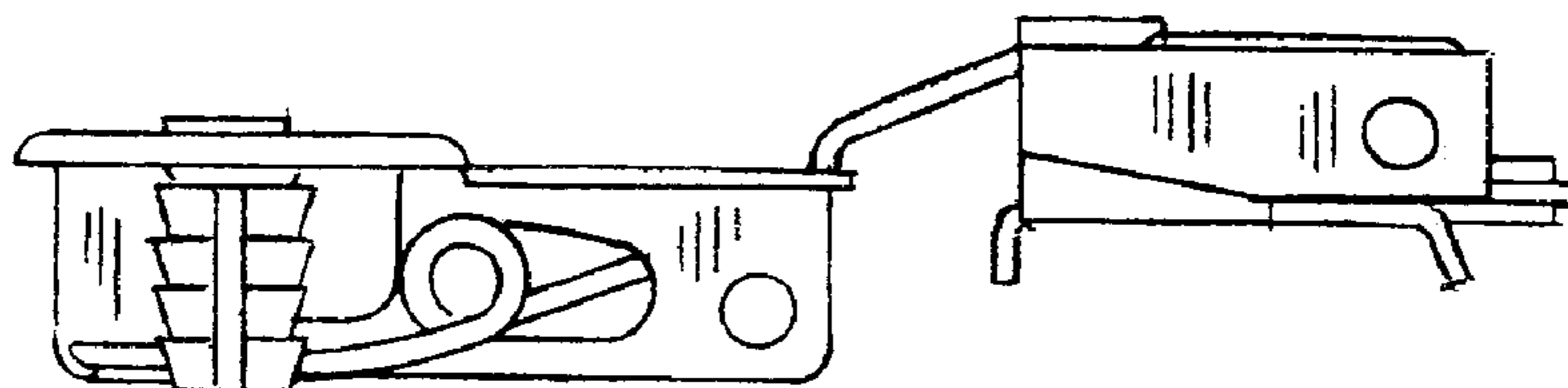


FIG. 4

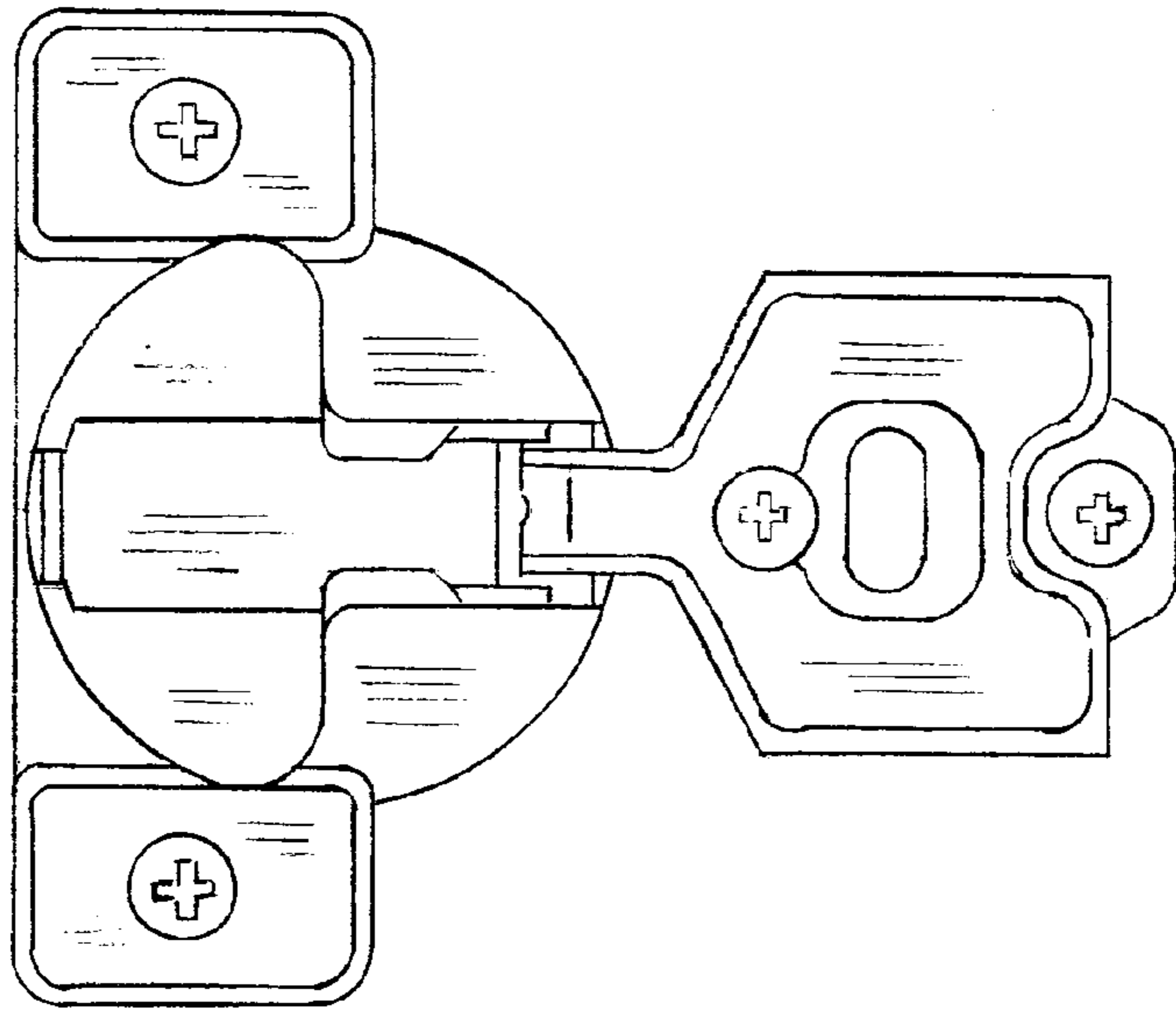


FIG. 5

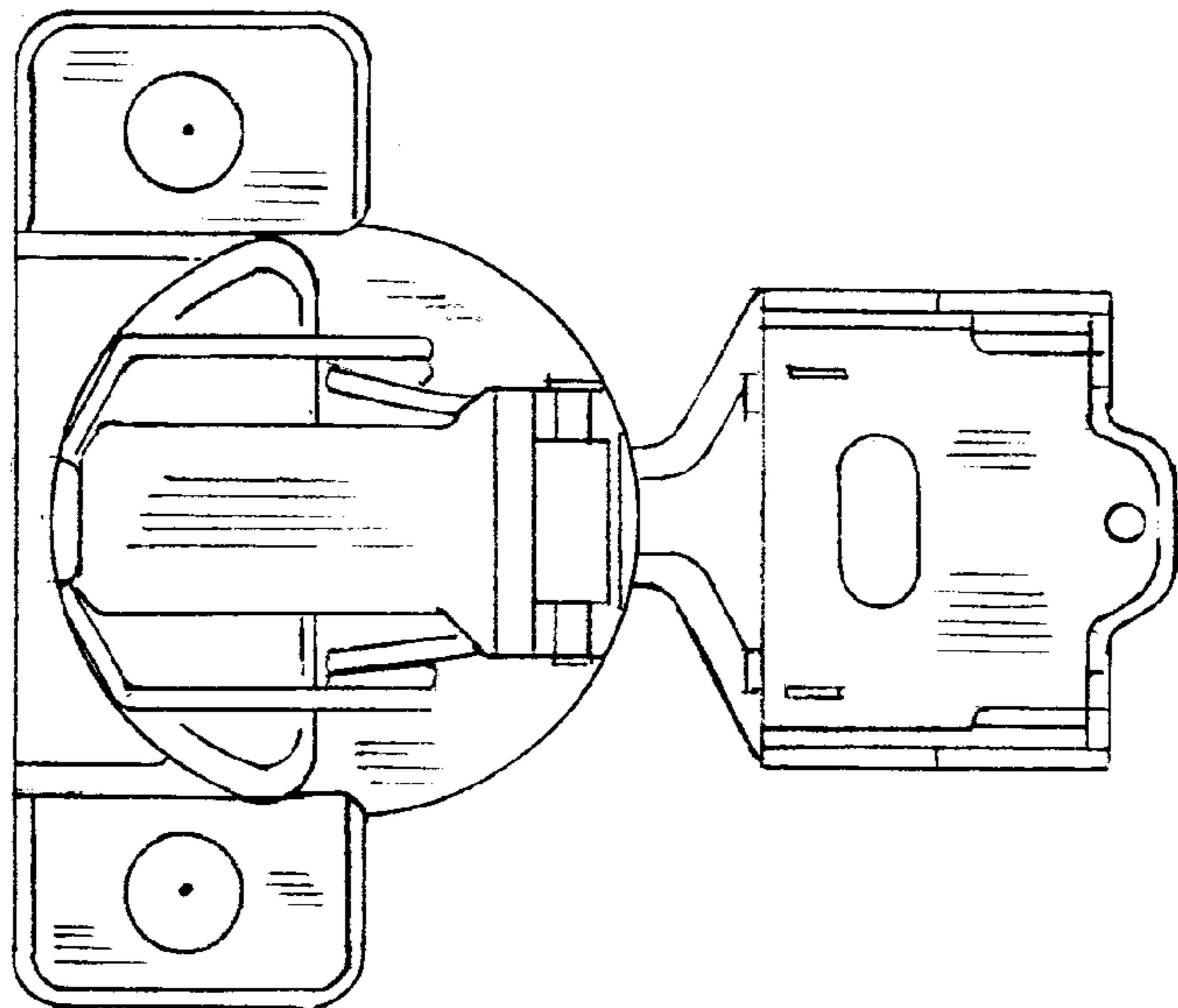


FIG. 6

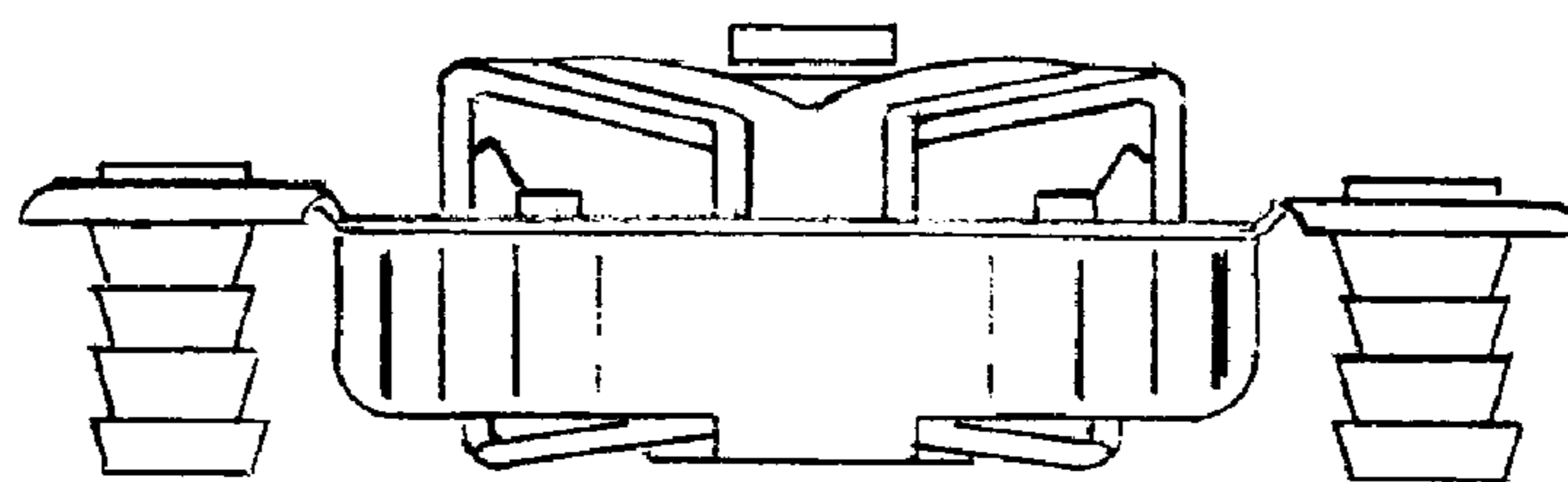


FIG. 7

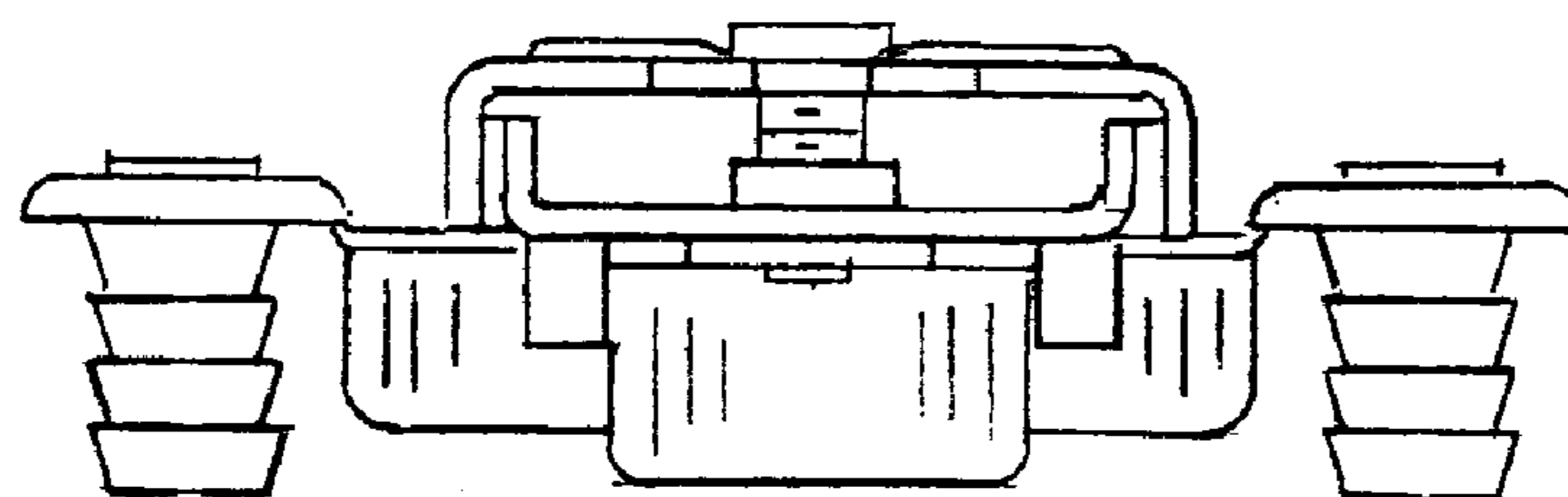


FIG. 8