

US00D523322S

(12) **United States Design Patent**  
**Thurston et al.**

(10) **Patent No.:** **US D523,322 S**  
(45) **Date of Patent:** **\*\* Jun. 20, 2006**

(54) **SCAFFOLD HINGE**

(76) Inventors: **Glenn Thurston**, 9198 Dale Road, R.R.  
#6, Cobourg, Ontario (CA), K9A 4J9;  
**Tony Lima**, 85 Bakerfield Street,  
Toronto, Ontario (CA), M3J 1Z4

(\*\*) Term: **14 Years**

(21) Appl. No.: **29/219,910**

(22) Filed: **Dec. 27, 2004**

(51) **LOC (8) Cl.** ..... **08-06**

(52) **U.S. Cl.** ..... **D8/323**

(58) **Field of Classification Search** ..... D8/323,  
D8/324, 325, 326, 327, 328, 329, 349, 354,  
D8/356; 16/234-237, 239, 241, 245-246,  
16/249, 254, 261-262, 265, 272, 277, 307,  
16/319, 335, 339, 342, 379, 381-383, 384,  
16/385, 386, 387, 388, 389, 221, DIG. 13,  
16/DIG. 40, DIG. 43; 4/236, 237, 238, 239,  
4/240; D23/303; 248/200, 221.11, 300, 309.1,  
248/317; D7/334, 337, 402

See application file for complete search history.

(56) **References Cited**

**U.S. PATENT DOCUMENTS**

4,148,104 A \* 4/1979 Ginsburg ..... 4/236  
D279,350 S \* 6/1985 Hamatani ..... D8/349  
4,590,642 A \* 5/1986 Hesener ..... 16/241

4,873,745 A \* 10/1989 Ramsauer ..... 16/261  
D338,823 S \* 8/1993 Johnson ..... D8/326  
6,952,842 B1 \* 10/2005 Courtney ..... 4/236

\* cited by examiner

*Primary Examiner*—Janice E. Seeger  
*Assistant Examiner*—T. Chase Nelson

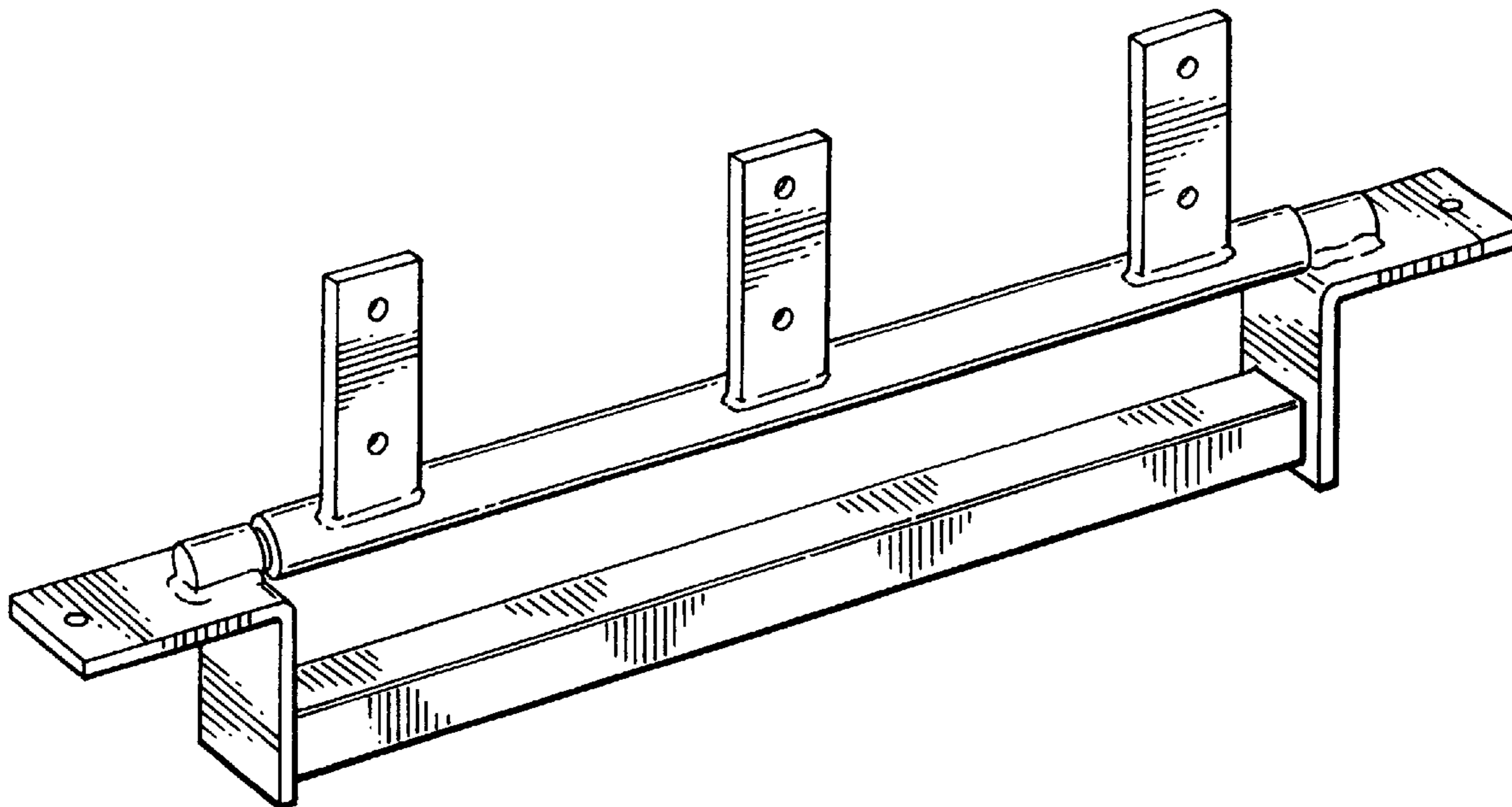
(57) **CLAIM**

The ornamental design for a scaffold hinge, as shown and described.

**DESCRIPTION**

FIG. 1 is a perspective front, first end, and top view of a scaffold hinge showing the present design; FIG. 2 is a front elevational view of the design of FIG. 1; FIG. 3 is a top plan view of the design of FIG. 1; FIG. 4 is a bottom plan view of the design of FIG. 1; FIG. 5 is a rear elevational view of the design of FIG. 1; FIG. 6 is a first end elevational view of the design of FIG. 1; FIG. 7 is a second other end elevational view of the design of FIG. 1; and, FIG. 8 is a perspective front, top, and first end view of the scaffold hinge showing its operating environment in phantom lines, which form no part of the claimed design. The directional arrow in this view indicates the direction of movement of the claimed design in operation, and also forms no part of the claimed design.

**1 Claim, 3 Drawing Sheets**



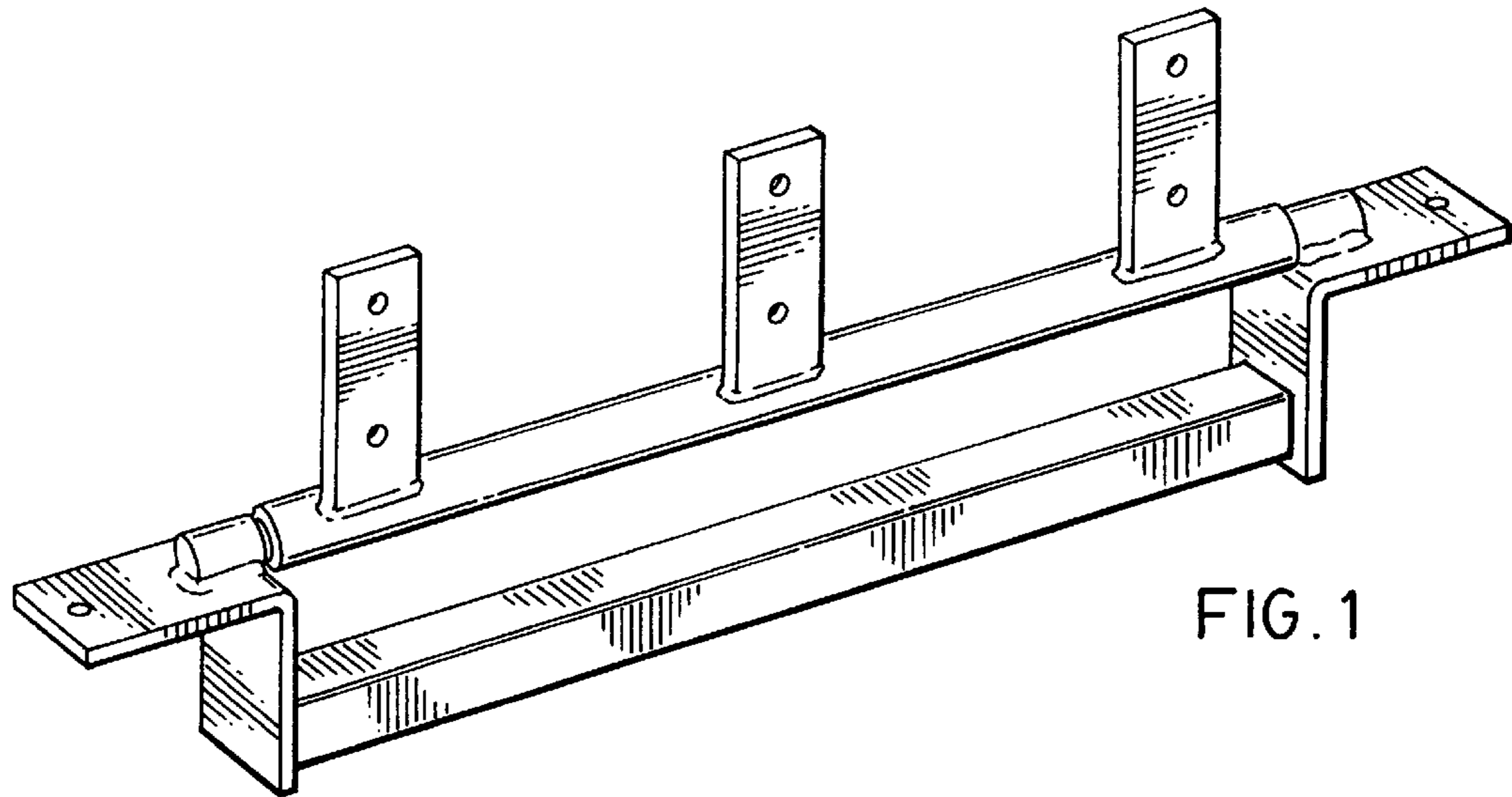


FIG. 1

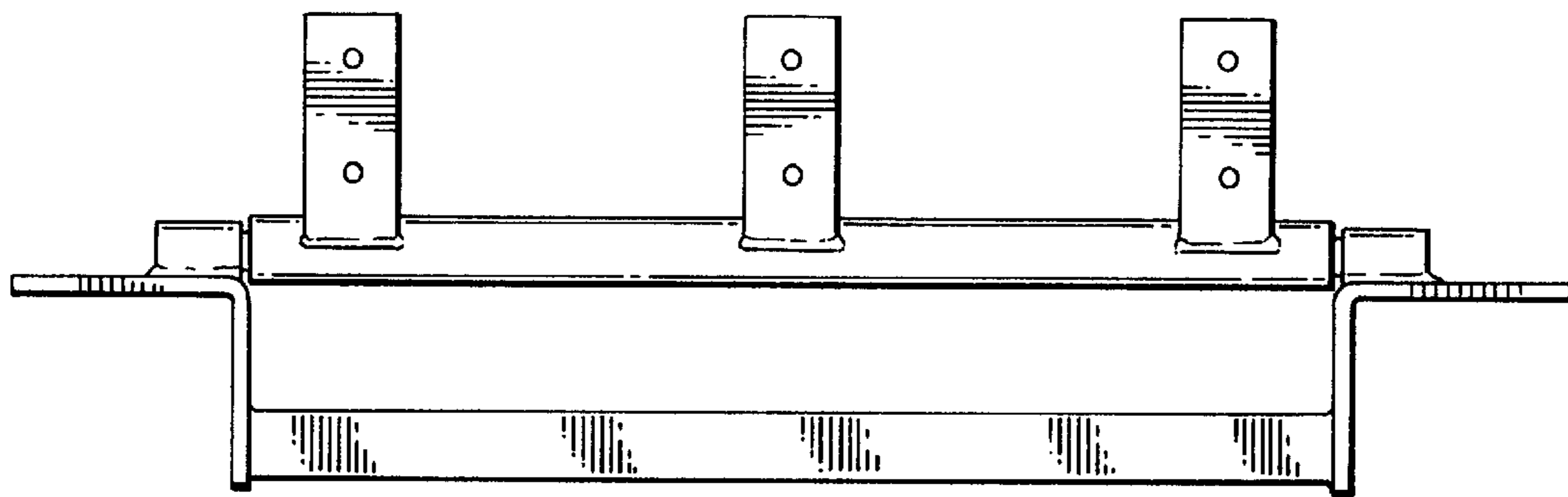


FIG. 2

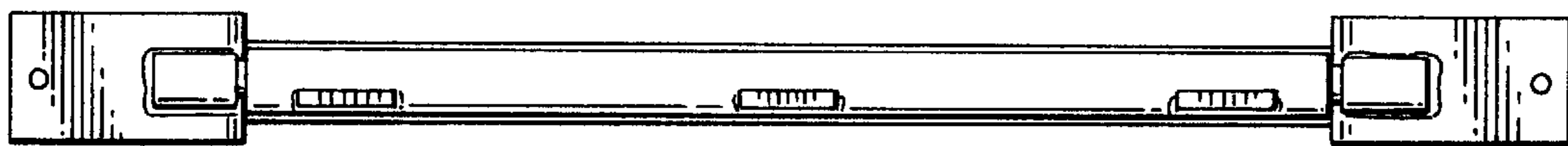


FIG. 3

FIG. 4

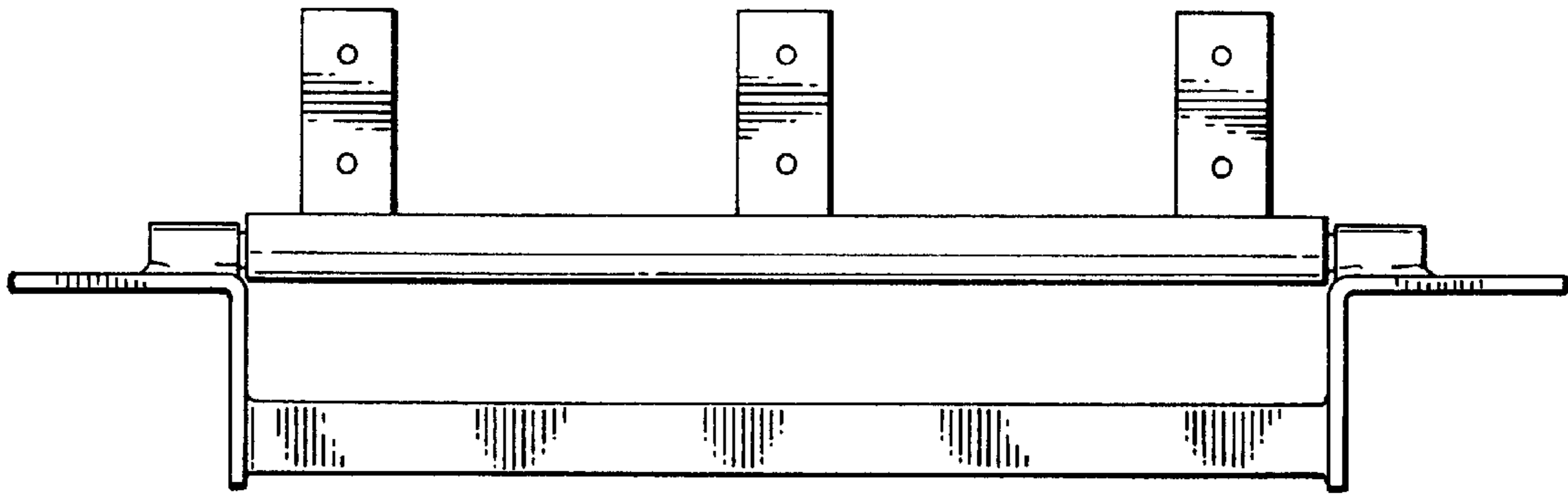
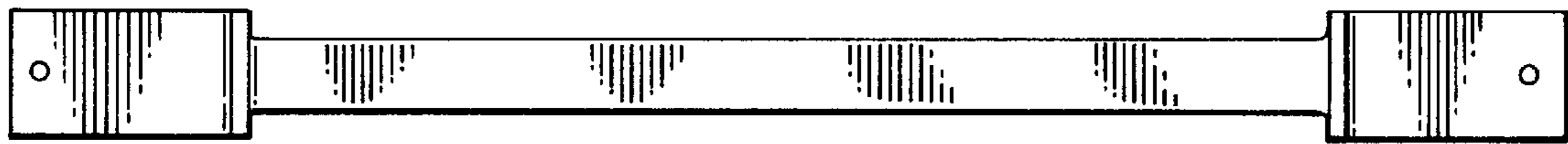


FIG. 5

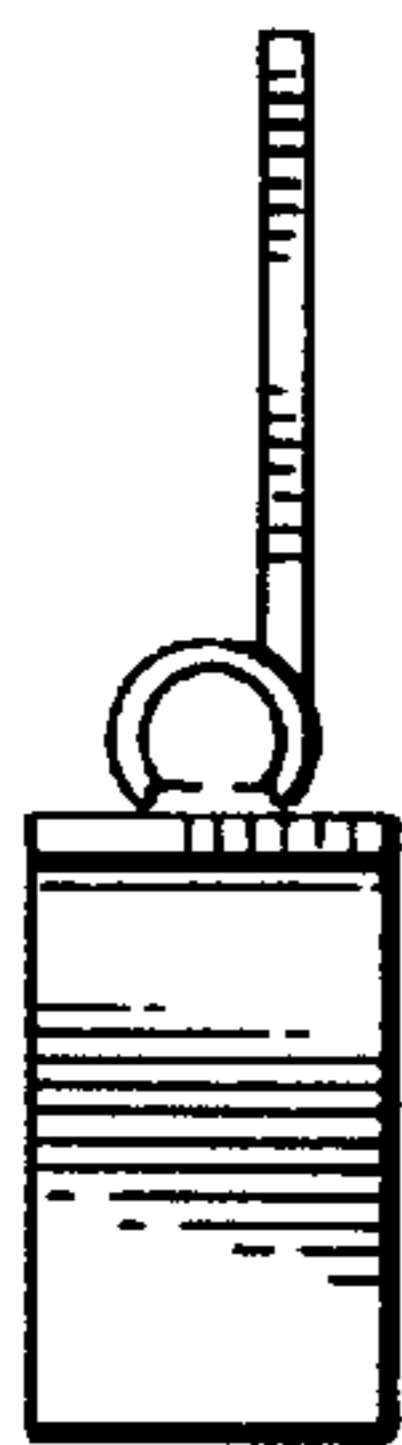


FIG. 6

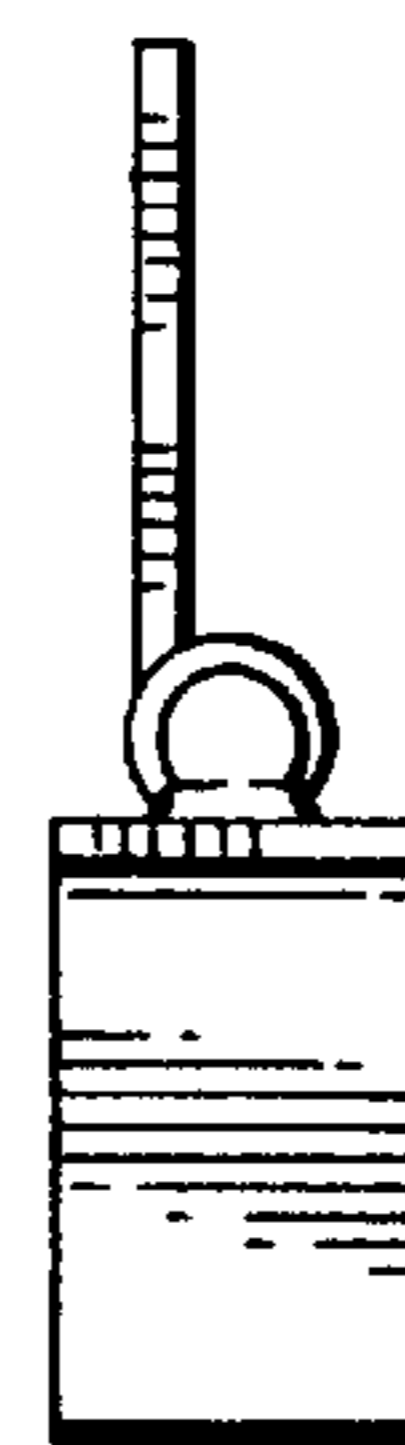


FIG. 7

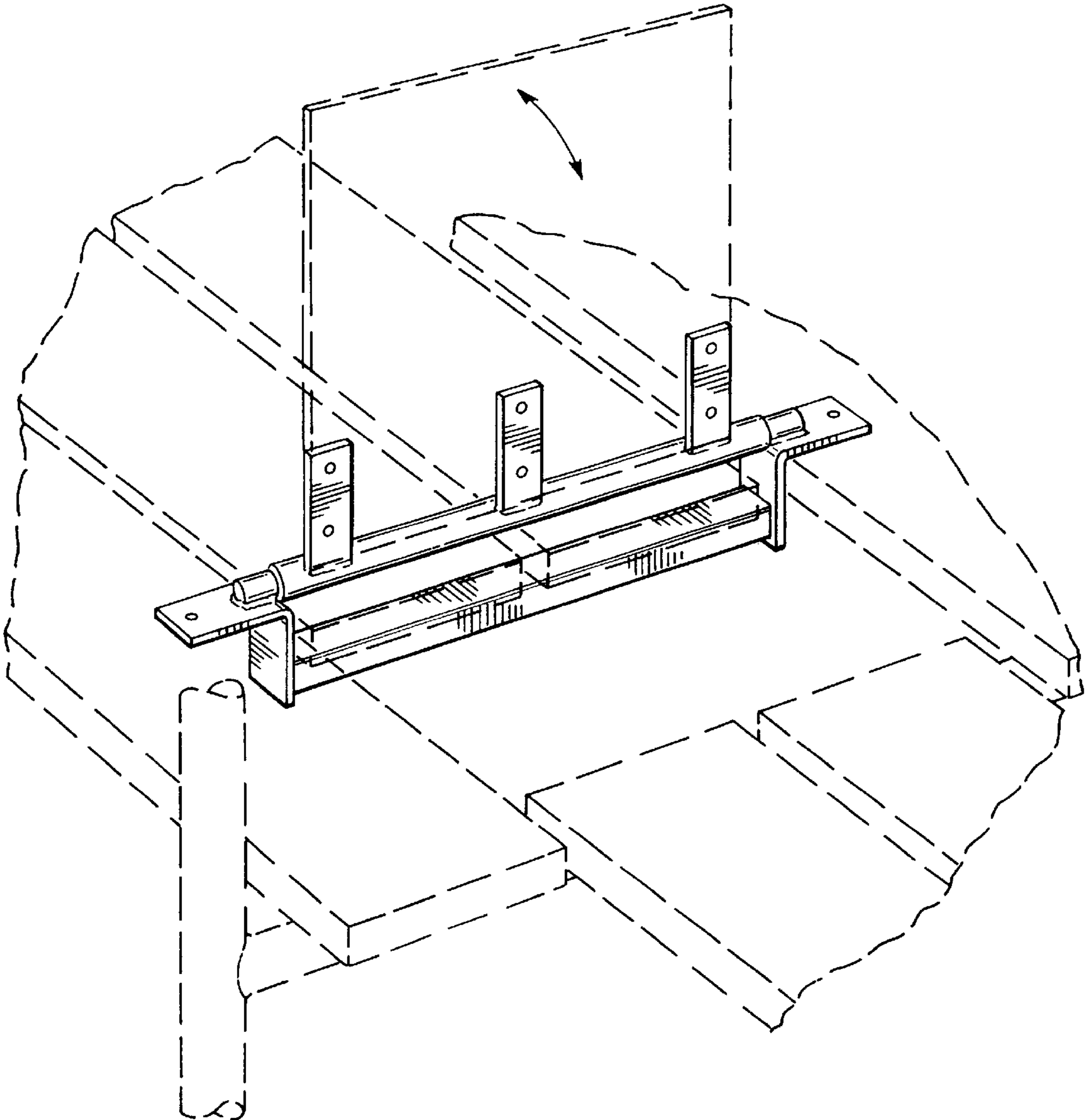


FIG. 8