

US00D523320S

(12) **United States Design Patent**
Bertani

(10) **Patent No.:** **US D523,320 S**
(45) **Date of Patent:** **** Jun. 20, 2006**

(54) **CRANK HANDLE**

(75) Inventor: **Alberto Bertani**, Milan (IT)

(73) Assignee: **Elesa, S.p.A.**, Milan (IT)

(**) Term: **14 Years**

(21) Appl. No.: **29/229,129**

(22) Filed: **May 3, 2005**

(30) **Foreign Application Priority Data**

Nov. 4, 2004 (EM) 000249065

(51) **LOC (8) Cl.** **08-01**

(52) **U.S. Cl.** **D8/309**

(58) **Field of Classification Search** D8/308,
D8/309, 312, 311, DIG. 2; D12/179; D15/142;
D23/250; 16/429, 432, 410-415; 70/210;
74/545, 552, 553, 555-558
See application file for complete search history.

(56) **References Cited**

U.S. PATENT DOCUMENTS

D166,546 S * 4/1952 Munroe D8/309
D186,305 S * 10/1959 Gonas et al. D8/309
D189,970 S * 3/1961 Prohaska D8/311
3,988,946 A * 11/1976 Gonzalez 74/545
D495,231 S * 8/2004 Bertani D8/309

D513,165 S * 12/2005 Loewenthal D8/309

* cited by examiner

Primary Examiner—Paula A. Greene

(74) *Attorney, Agent, or Firm*—Pearne & Gordon LLP

(57) **CLAIM**

The ornamental design for a crank handle, as shown and described.

DESCRIPTION

FIG. 1 is a perspective view of a crank handle showing my new design, the locking knob and key lock shown in a locked position drawn in broken lines are not part of the claimed design;

FIG. 2 is a top view thereof;

FIG. 3 is a front view of FIG. 1, a rear view being a mirror image thereof;

FIG. 4 is a left side view of FIG. 1;

FIG. 5 is a right side view of FIG. 1;

FIG. 6 is a bottom view of FIG. 1; and,

FIG. 7 is a perspective view of a crank handle of FIG. 1, the locking knob and key lock in an unlocked position shown in broken lines are not part of the claimed design.

The details shown in FIGS. 1-3 and 5-7 in broken lines are provided for illustrative purposes only and form no part of the claimed design.

1 Claim, 2 Drawing Sheets

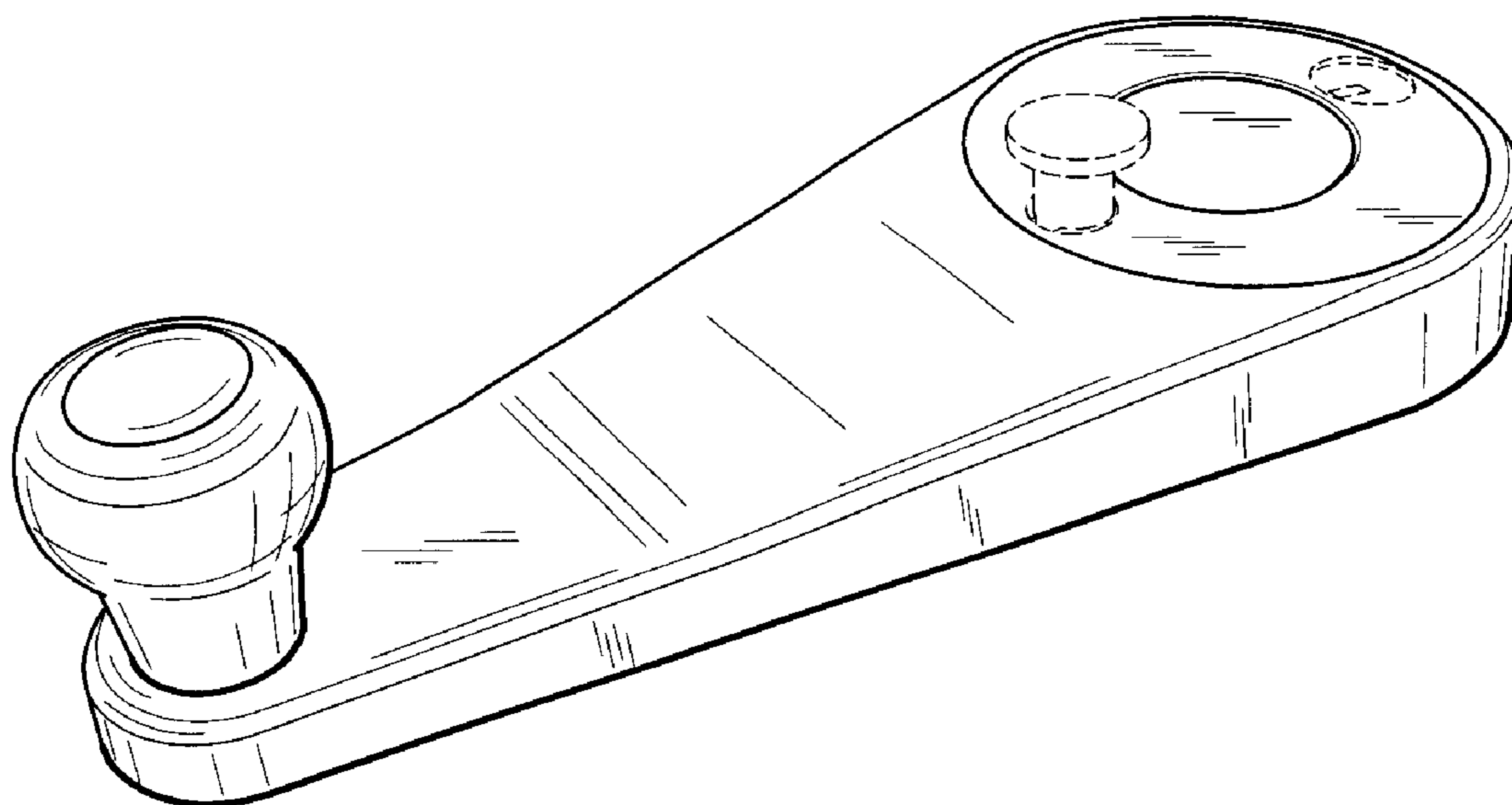


FIG. 1

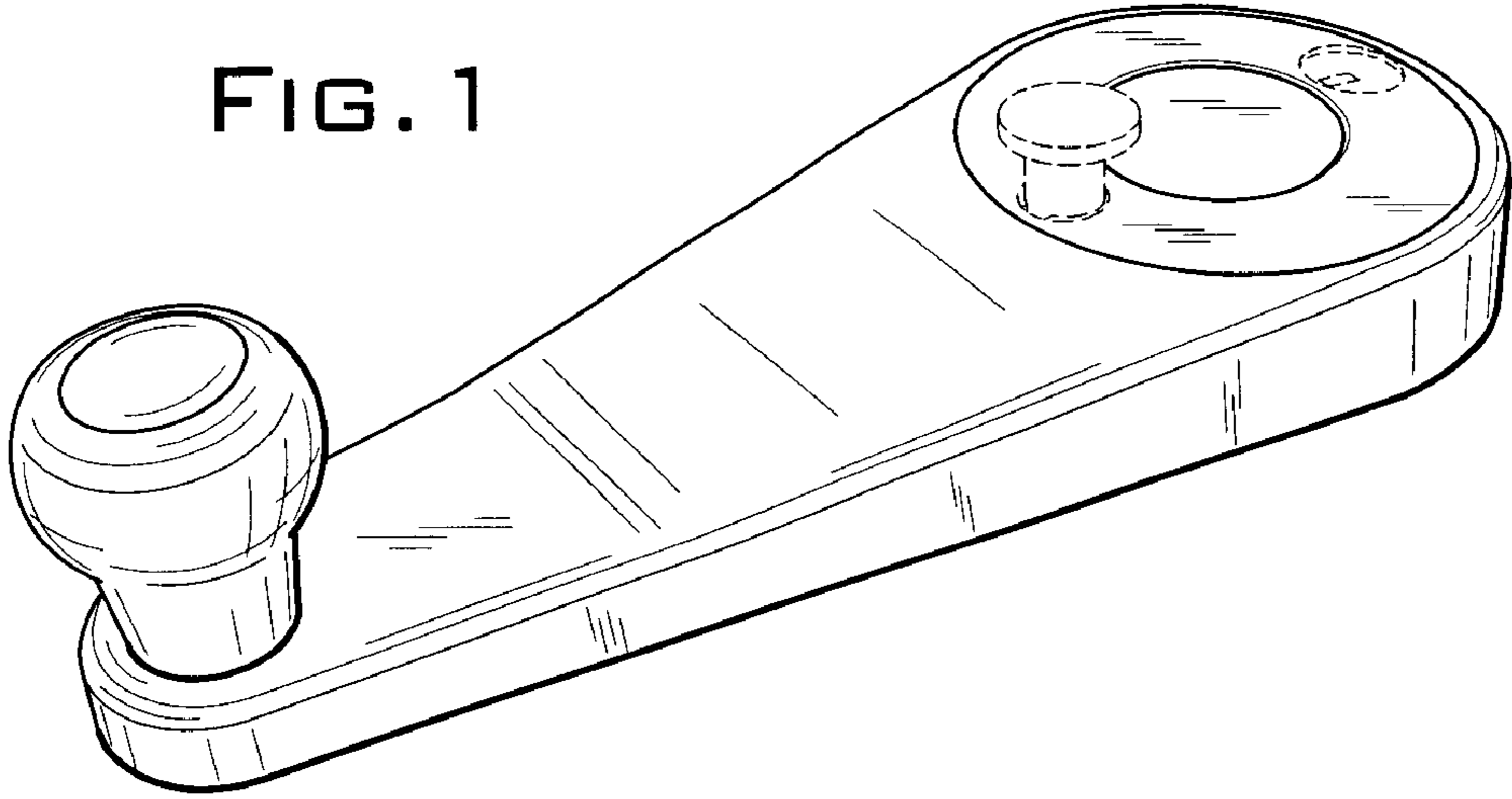


FIG. 2

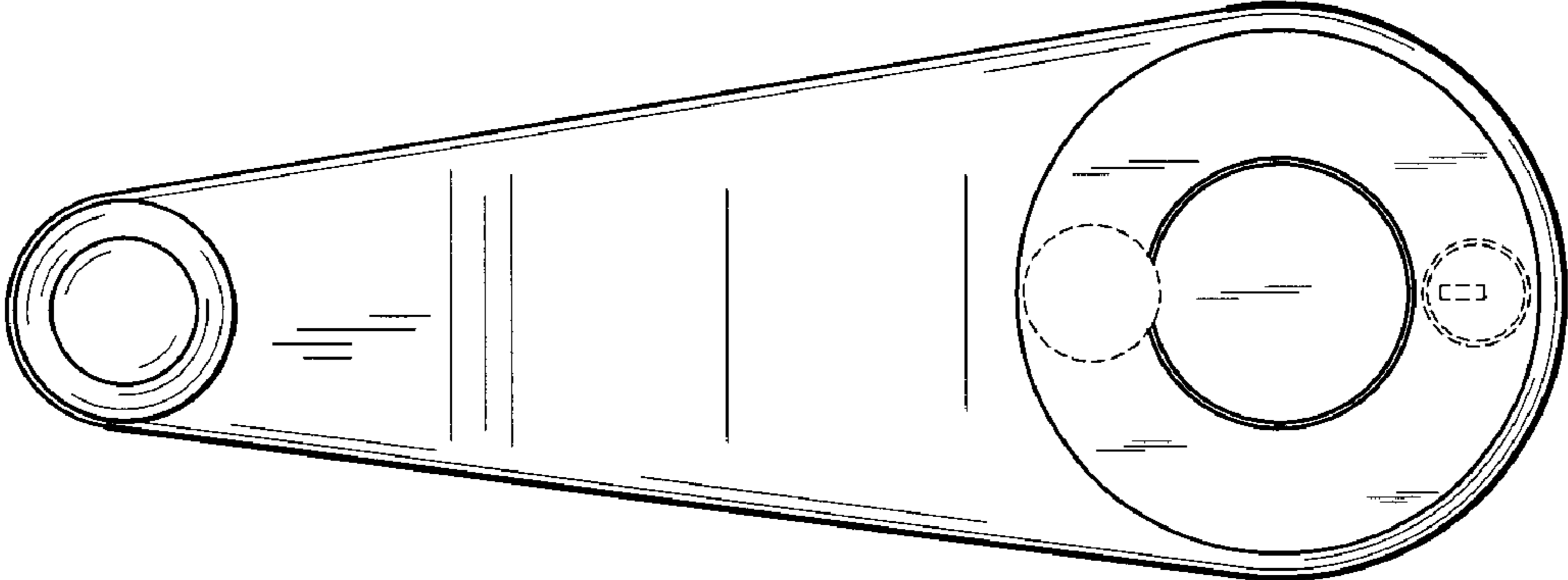
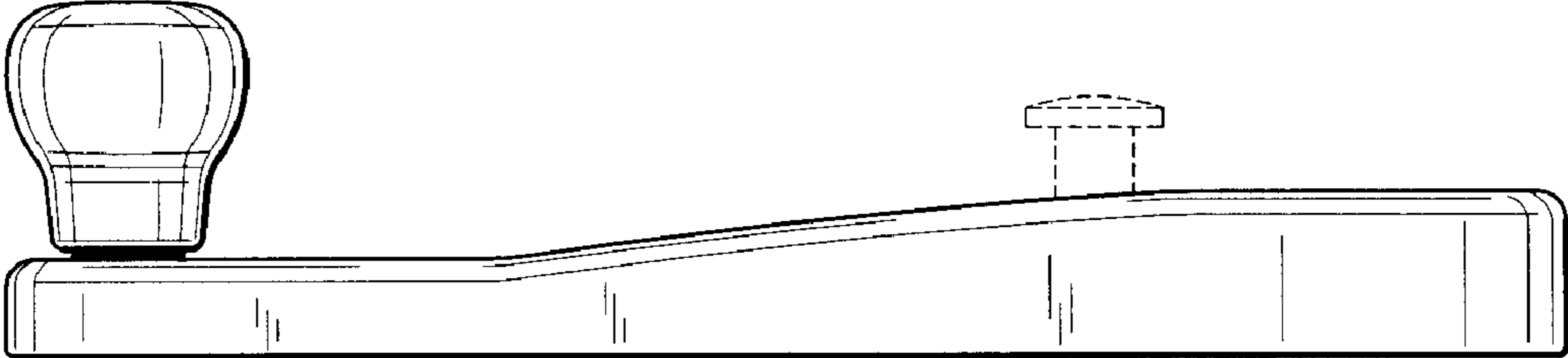


FIG. 3



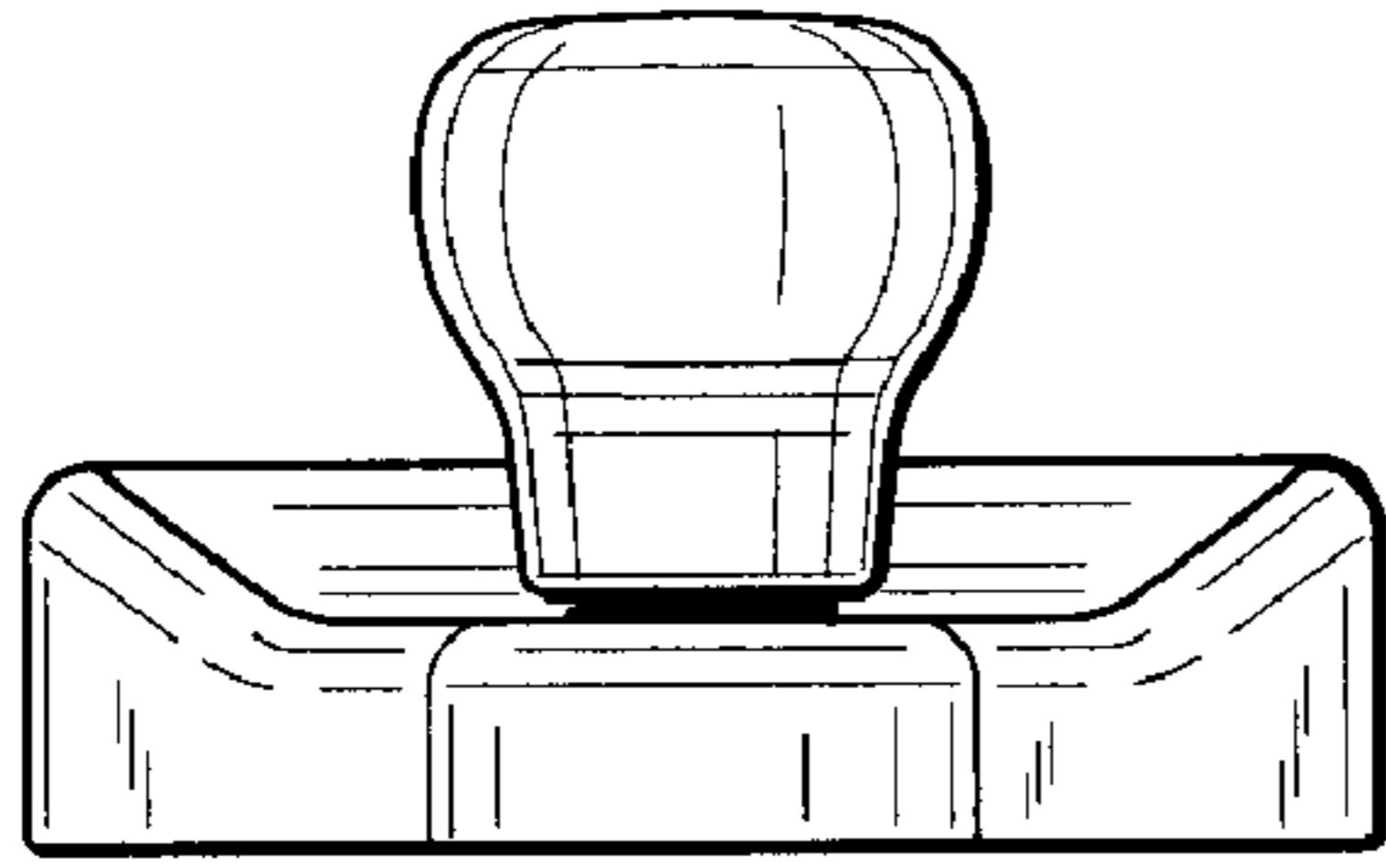


FIG. 4

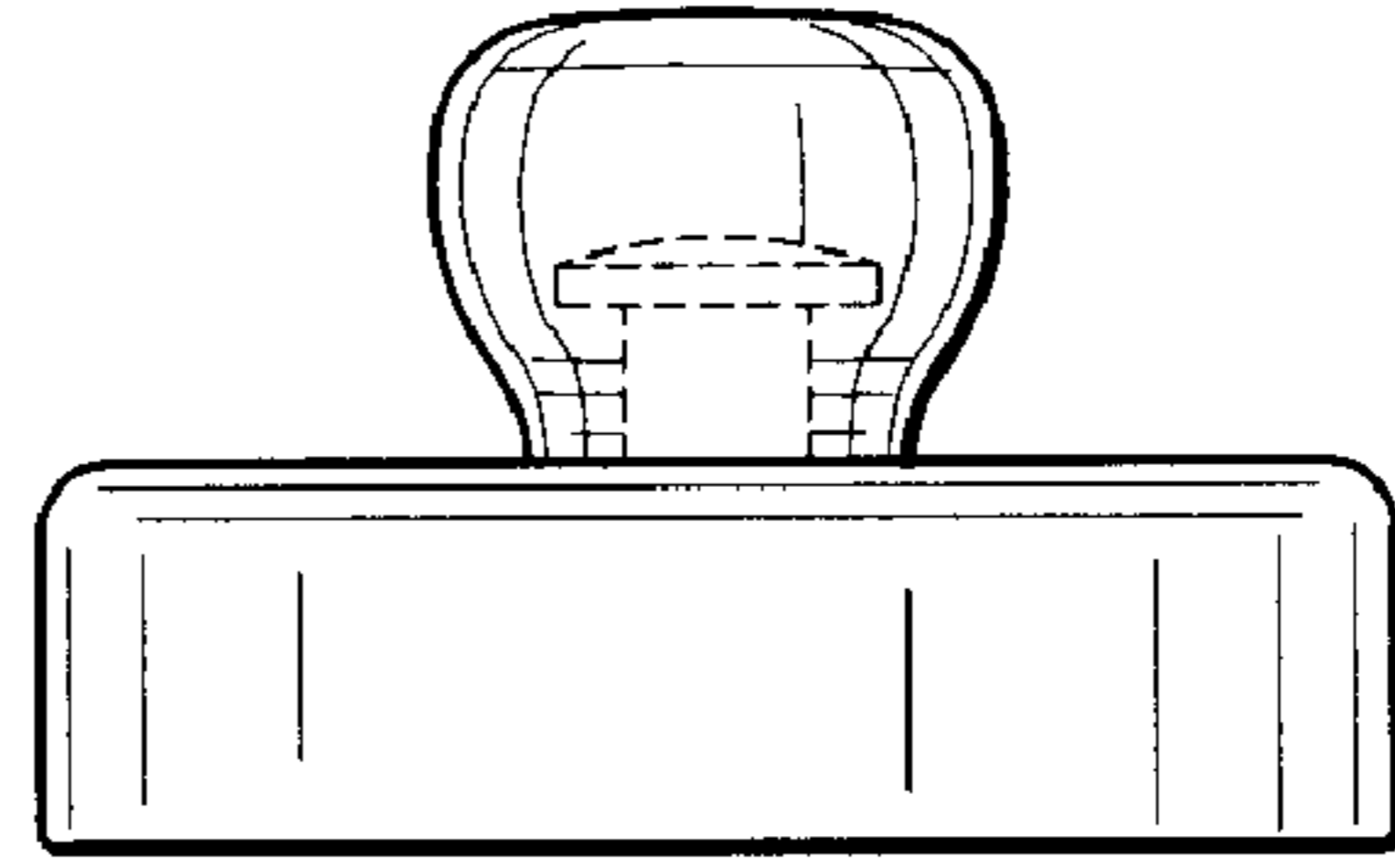


FIG. 5

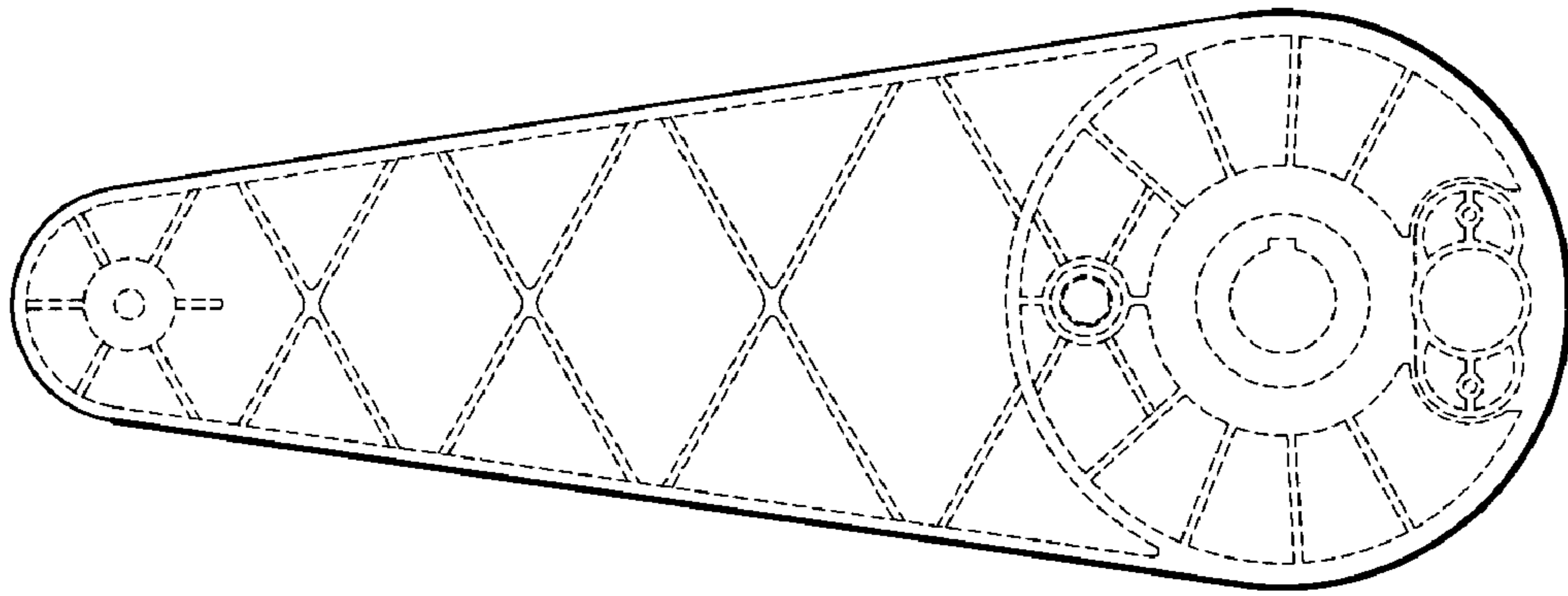


FIG. 6

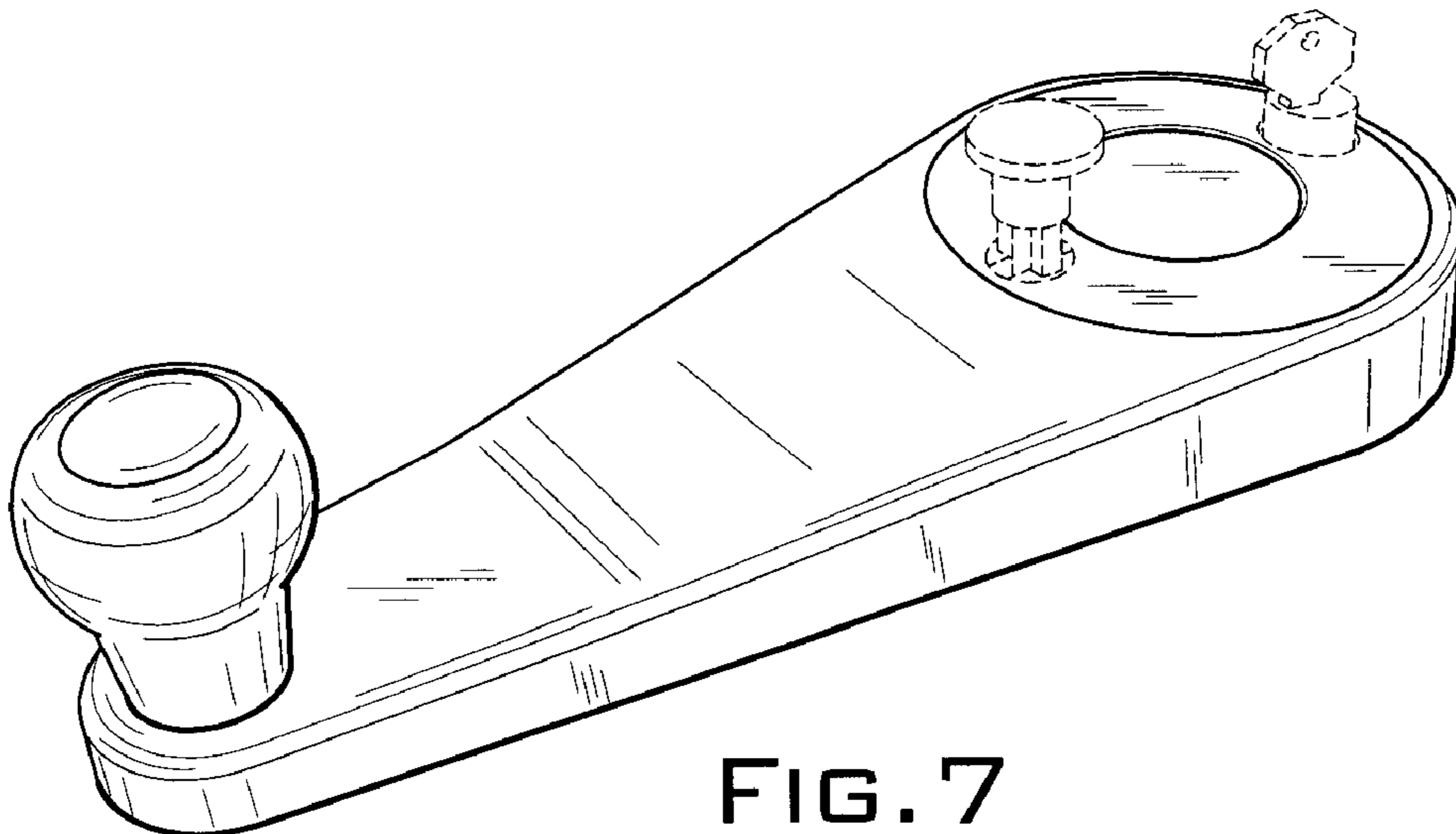


FIG. 7