



US00D523319S

(12) **United States Design Patent**
Hu

(10) **Patent No.:** **US D523,319 S**

(45) **Date of Patent:** **** Jun. 20, 2006**

(54) **LEVER HANDLE**

(76) **Inventor:** **Xian Shan Hu**, No. 5, Xingfa Road,
Jidongyi, Xiaolan Town, Zhongshan
City, Guangdong Province (CN)

(**) **Term:** **14 Years**

(21) **Appl. No.:** **29/233,201**

(22) **Filed:** **Jun. 30, 2005**

(51) **LOC (8) Cl.** **08-06**

(52) **U.S. Cl.** **D8/308**

(58) **Field of Classification Search** D8/300,
D8/303, 308, 321; D23/241, 250, 252; 4/675-678;
16/110.1; 292/347, 356, 357; 137/801
See application file for complete search history.

(56) **References Cited**

U.S. PATENT DOCUMENTS

| | | | | | |
|-------------|---|--------|----------|-------|---------|
| 1,787,988 A | * | 1/1931 | Marple | | 292/357 |
| D141,186 S | * | 5/1945 | Stanitz | | D23/252 |
| D260,478 S | * | 9/1981 | Belaiche | | D8/308 |
| D290,496 S | * | 6/1987 | Ryan | | D23/252 |

| | | | | | |
|------------|---|---------|---------------|-------|---------|
| D305,724 S | * | 1/1990 | Mosch | | D8/308 |
| D313,541 S | * | 1/1991 | Thur | | D8/301 |
| D332,824 S | * | 1/1993 | Robbins | | D23/252 |
| D365,384 S | * | 12/1995 | Robbins | | D23/252 |
| D404,470 S | * | 1/1999 | Pitsch et al. | | D23/252 |
| D438,775 S | * | 3/2001 | Magnusson | | D8/308 |
| D439,954 S | * | 4/2001 | Spangler | | D23/250 |

* cited by examiner

Primary Examiner—Paula A. Greene

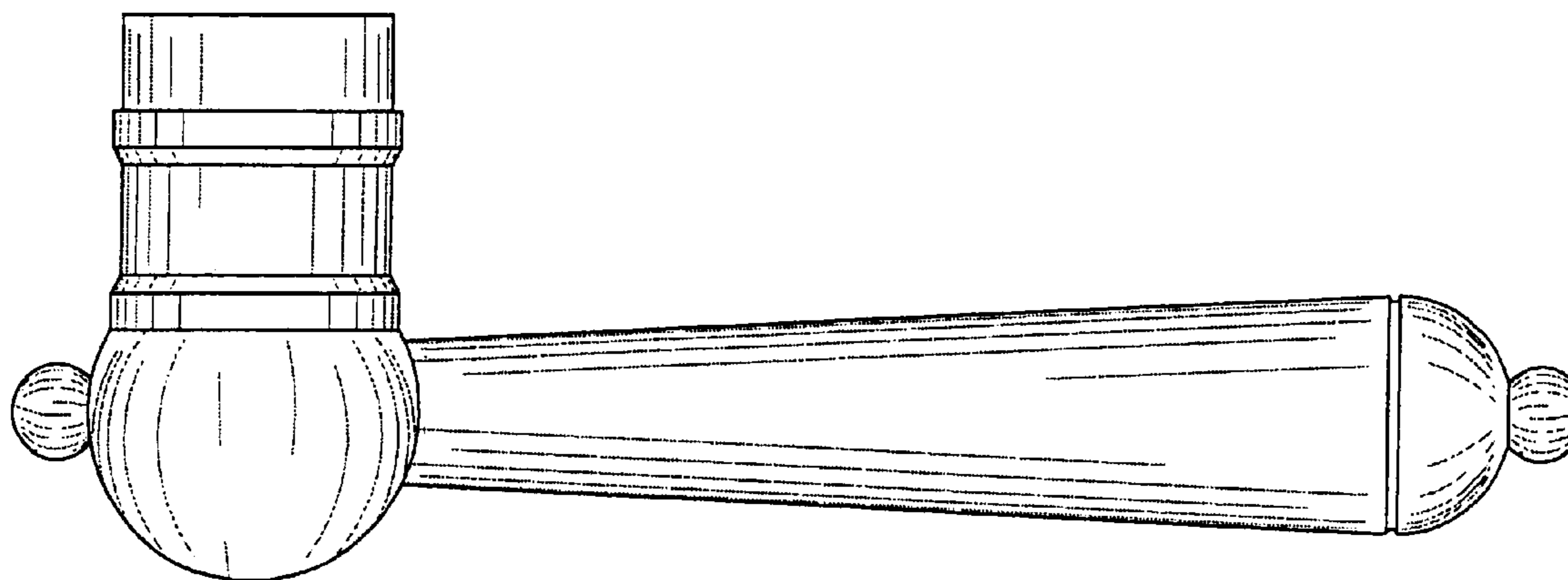
(57) **CLAIM**

The ornamental design for a lever handle, as shown.

DESCRIPTION

FIG. 1 is a front elevational view of a lever handle showing my new design;
FIG. 2 is a rear elevational view thereof;
FIG. 3 is a left side view thereof;
FIG. 4 is a right side view thereof;
FIG. 5 is a top plan view thereof; and,
FIG. 6 is a bottom plan view thereof.

1 Claim, 3 Drawing Sheets



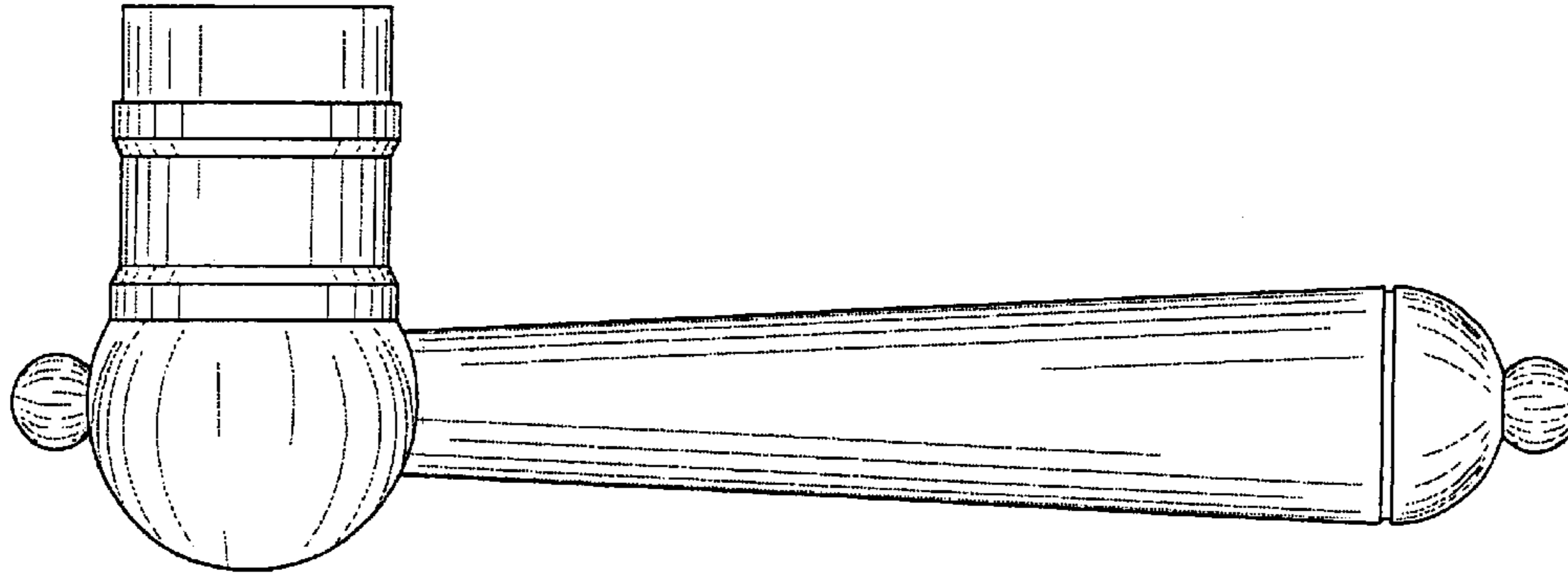


FIG. 1

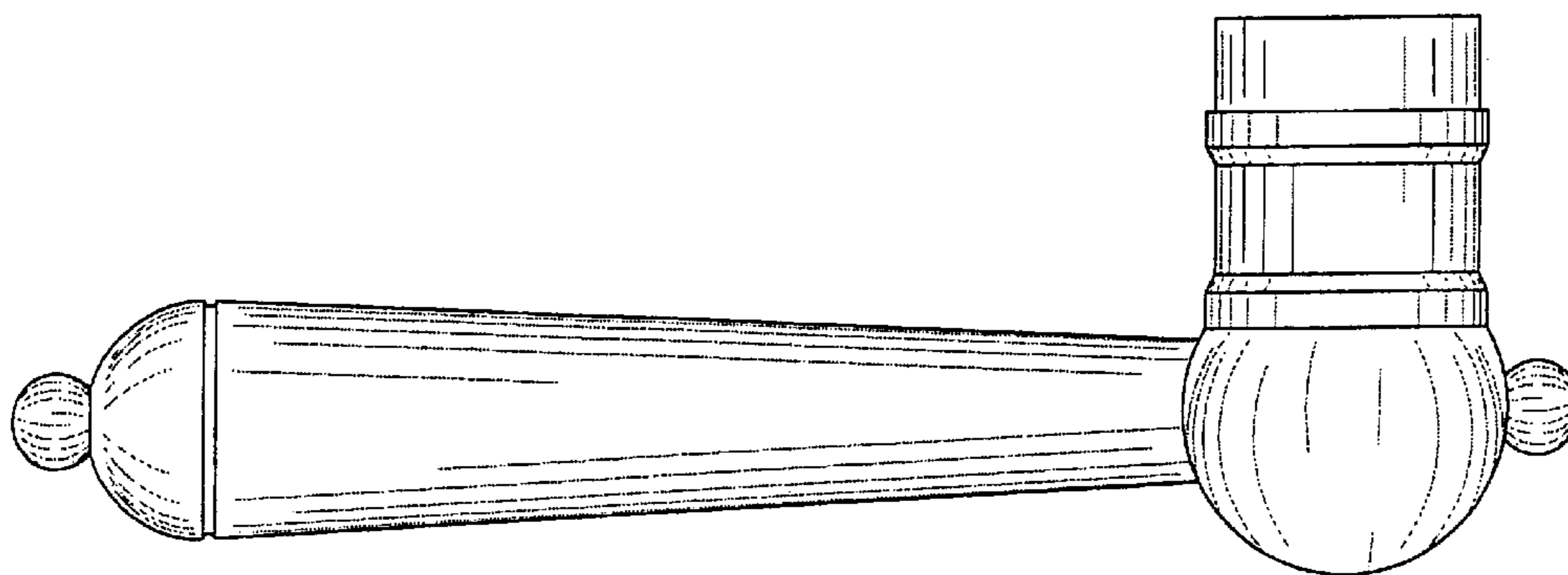


FIG. 2

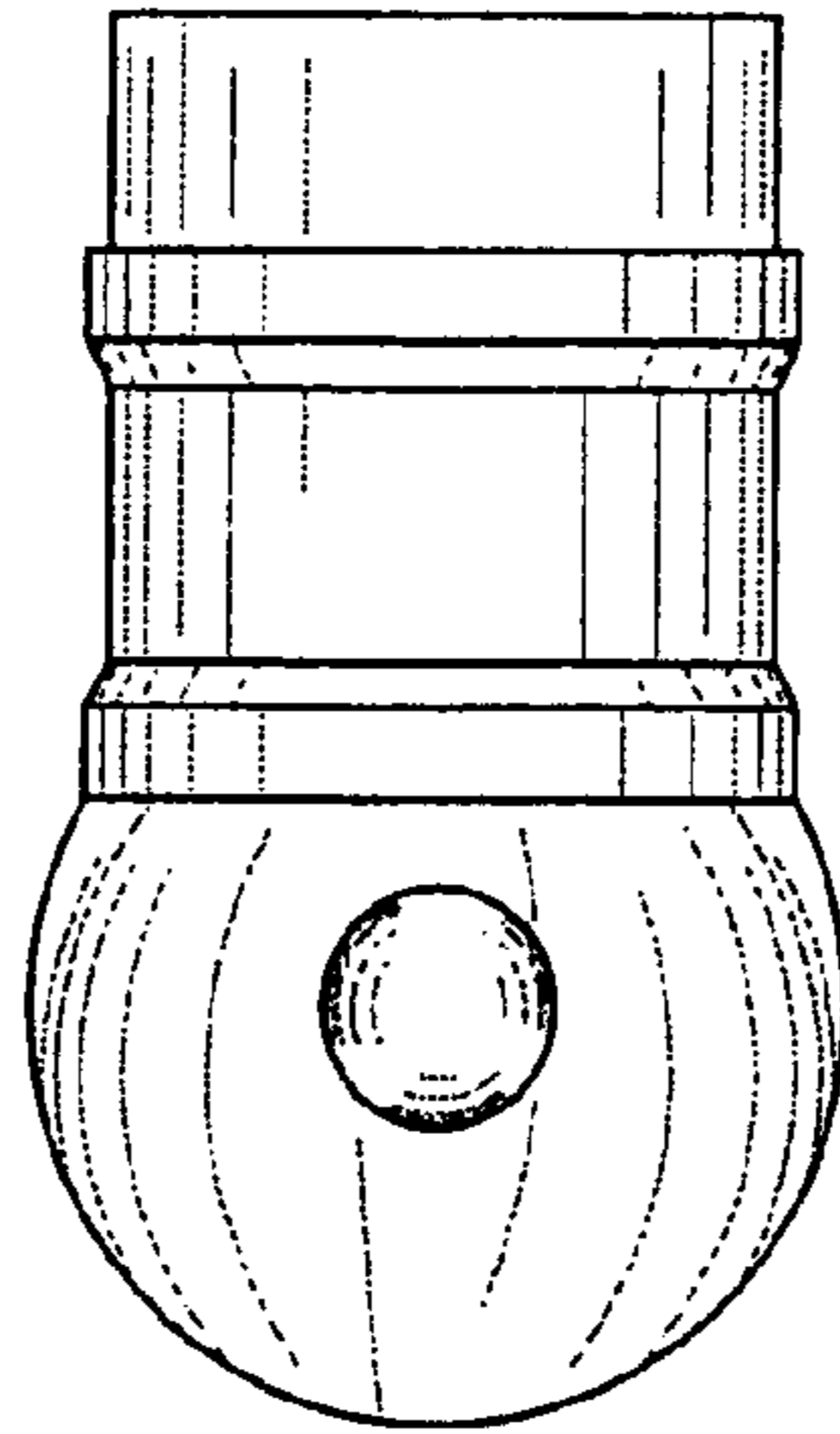


FIG. 3

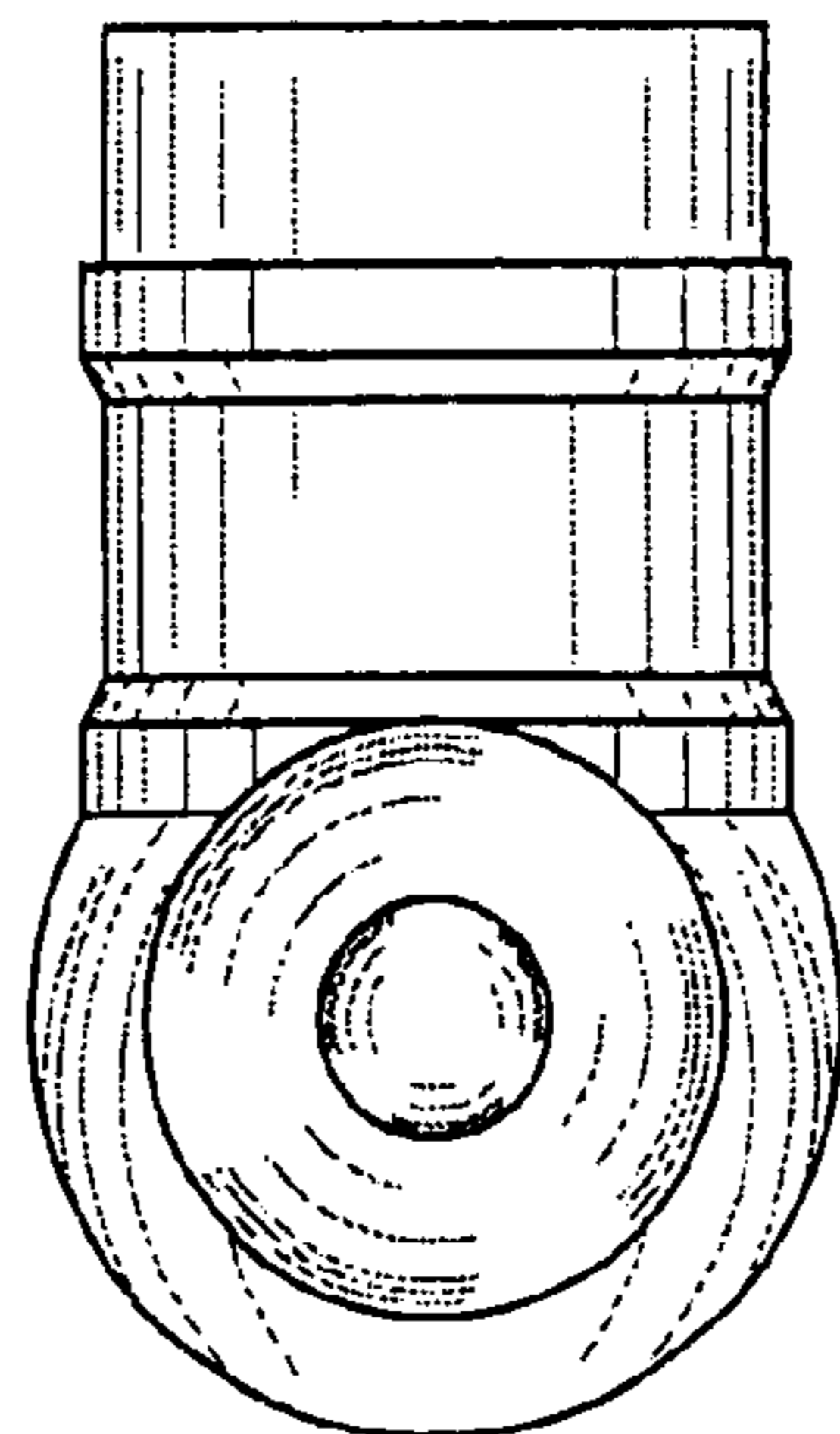


FIG. 4

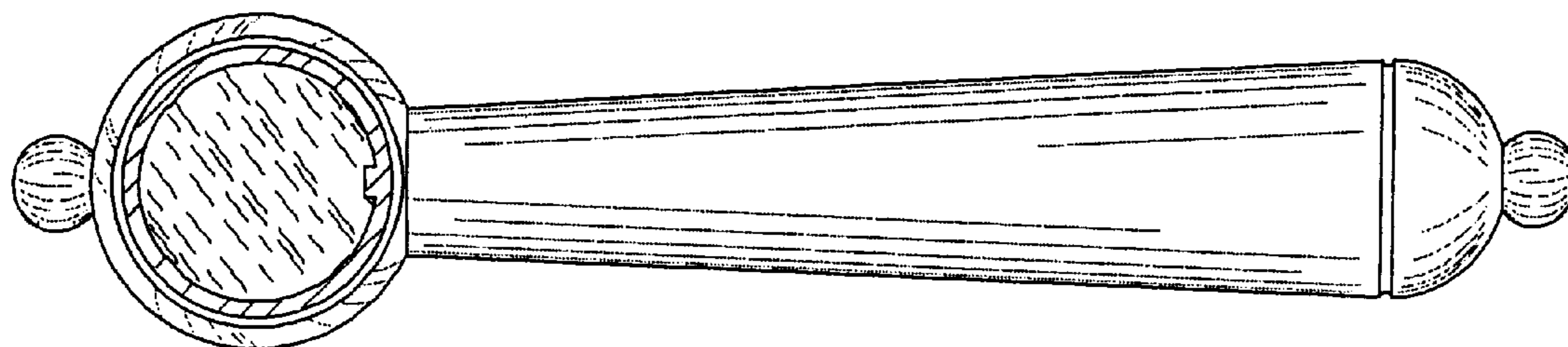


FIG. 5

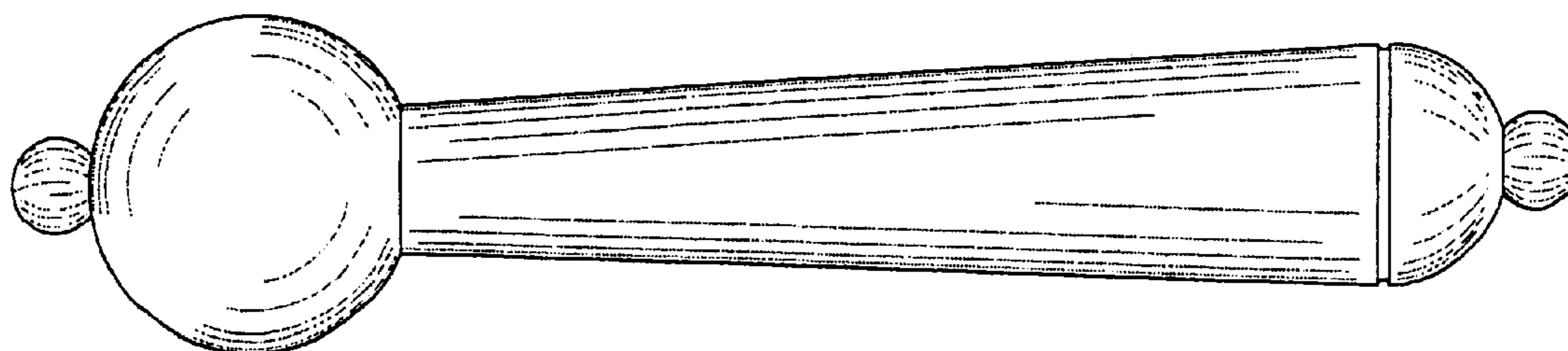


FIG. 6