



US00D523316S

(12) **United States Design Patent**
Kondo et al.

(10) **Patent No.:** **US D523,316 S**
(45) **Date of Patent:** **** *Jun. 20, 2006**

(54) **UTILITY KNIFE**

(75) Inventors: **Katsuyuki Kondo**, Otsu (JP);
Mitsuhiro Takamasa, Kameoka (JP)

(73) Assignee: **KDS Corporation**, Kyoto (JP)

(*) Notice: This patent is subject to a terminal disclaimer.

(**) Term: **14 Years**

(21) Appl. No.: **29/211,963**

(22) Filed: **Aug. 25, 2004**

(30) **Foreign Application Priority Data**

Jul. 9, 2004 (JP) 2004-020856

(51) **LOC (8) Cl.** **08-03**

(52) **U.S. Cl.** **D8/99**

(58) **Field of Classification Search** D8/98,
D8/99, 105, 107; 30/320, 329, 335, 337,
30/161, 162

See application file for complete search history.

(56) **References Cited**

U.S. PATENT DOCUMENTS

5,269,063 A * 12/1993 Okada 30/162
D386,959 S * 12/1997 Okada D8/99
D398,829 S * 9/1998 Okada D8/99

D399,114 S * 10/1998 Okada D8/99
D431,170 S * 9/2000 Okada D8/98
D436,825 S * 1/2001 Chen D8/99
D442,054 S * 5/2001 Okada et al. D8/99
D443,807 S * 6/2001 Okada D8/99
D453,673 S * 2/2002 Chen D8/99
D453,896 S * 2/2002 Hirai D8/99
D459,189 S * 6/2002 Chong D8/99
D499,948 S * 12/2004 Kondo et al. D8/99

* cited by examiner

Primary Examiner—Philip S. Hyder

(74) *Attorney, Agent, or Firm*—Birch Stewart Kolasch & Birch LLP

(57) **CLAIM**

The ornamental design for a utility knife, as shown.

DESCRIPTION

FIG. 1 is a perspective view of a utility knife showing our new design;

FIG. 2 is a front view thereof;

FIG. 3 is a rear view thereof;

FIG. 4 is a top plan view thereof;

FIG. 5 is a bottom plan view thereof;

FIG. 6 is a right side view thereof;

FIG. 7 is a left side view thereof; and,

FIG. 8 is a perspective view thereof, wherein the blade is in the extended position.

1 Claim, 3 Drawing Sheets

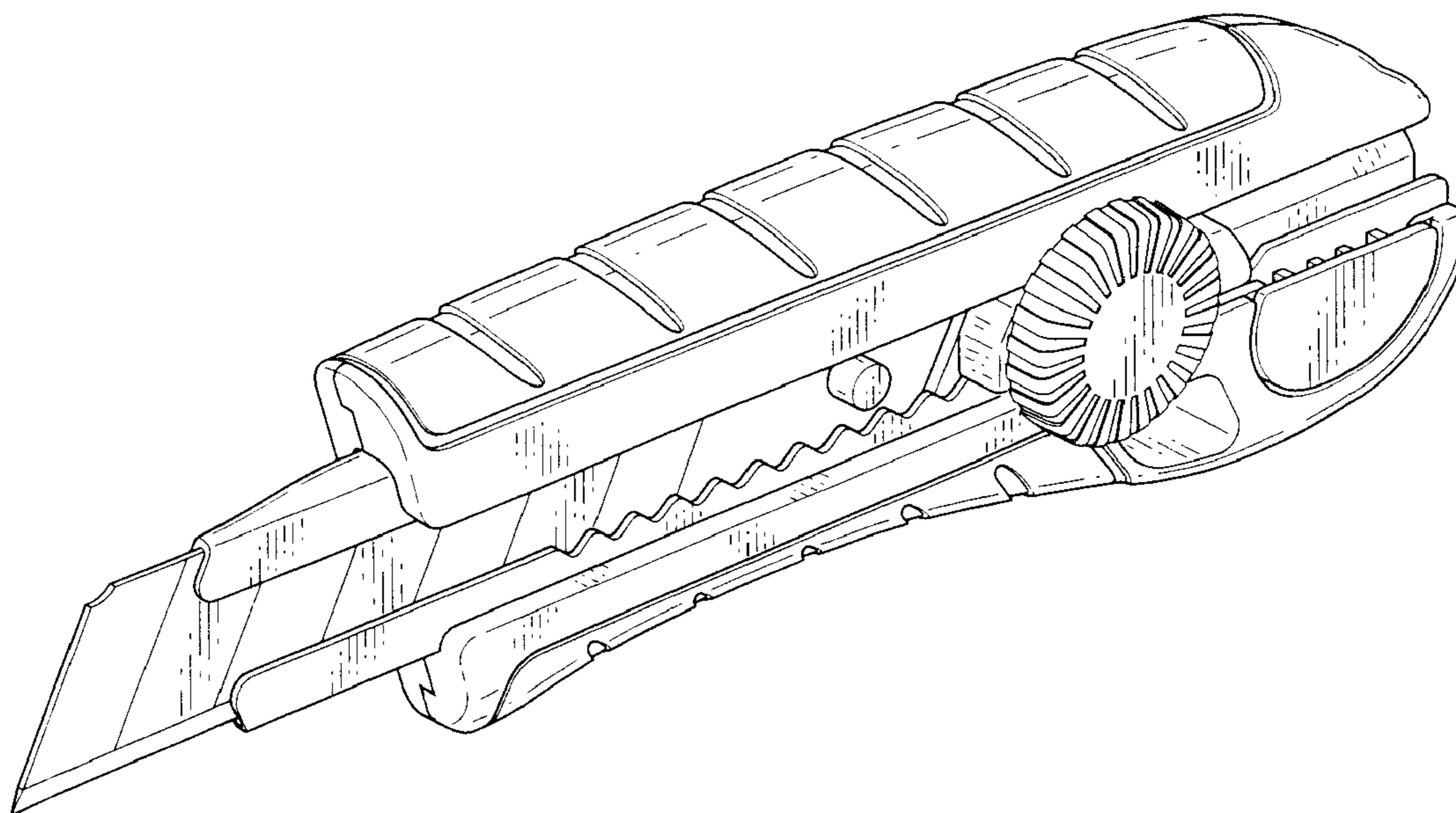


Fig. 1

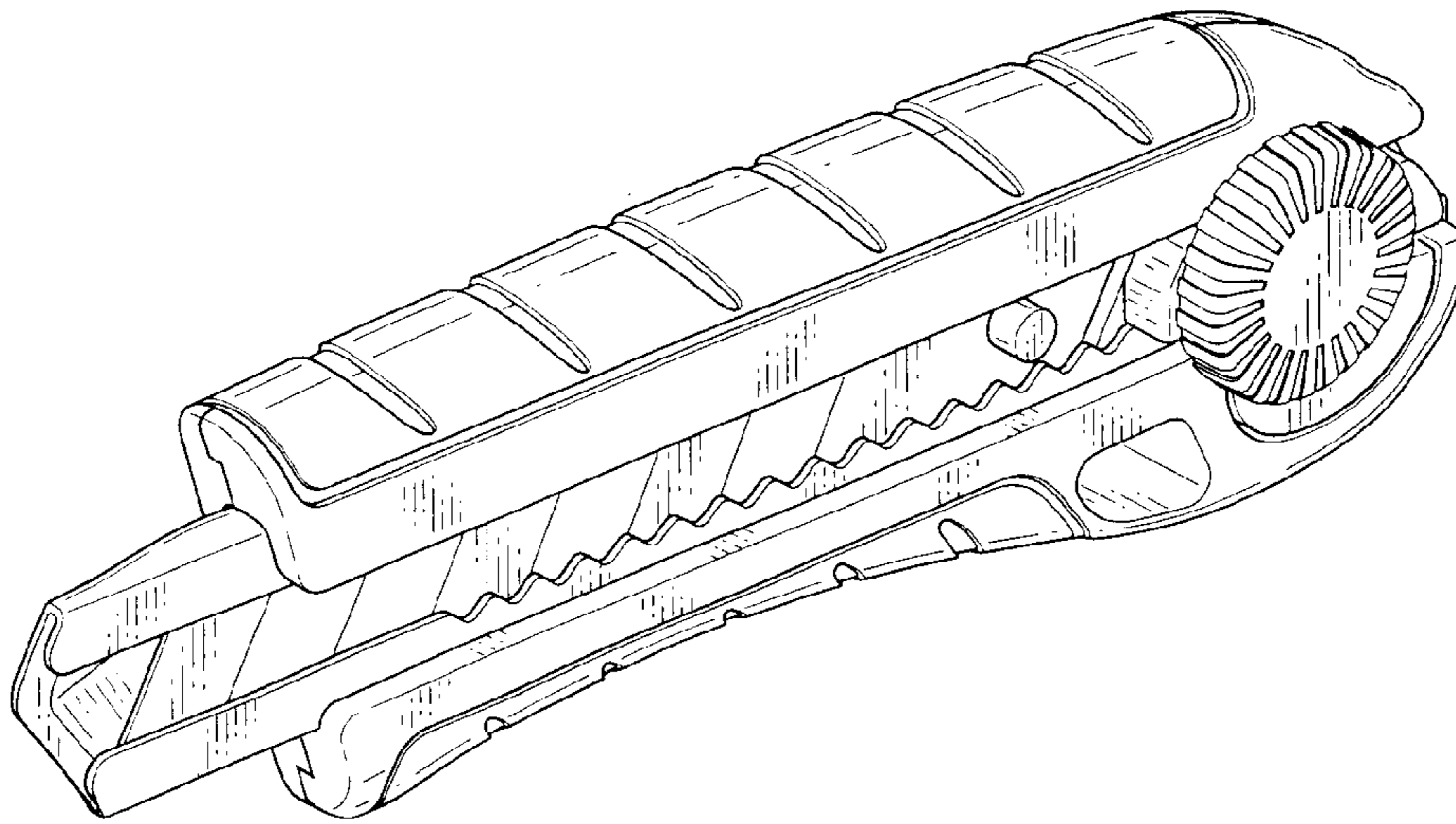


Fig. 2

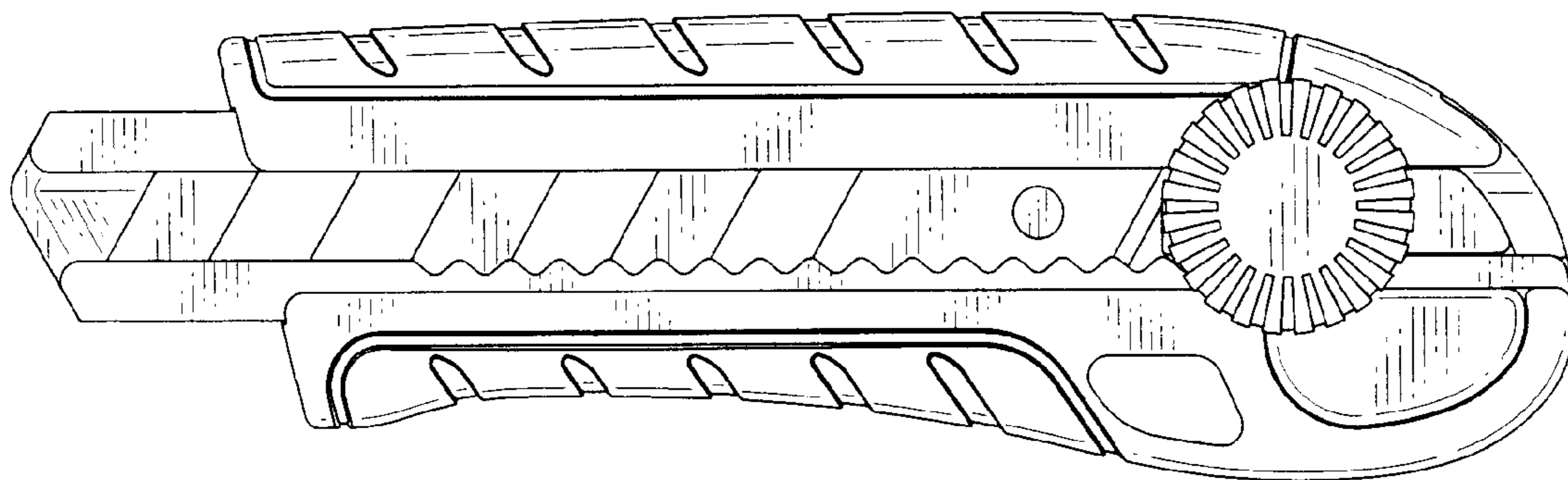


Fig. 3

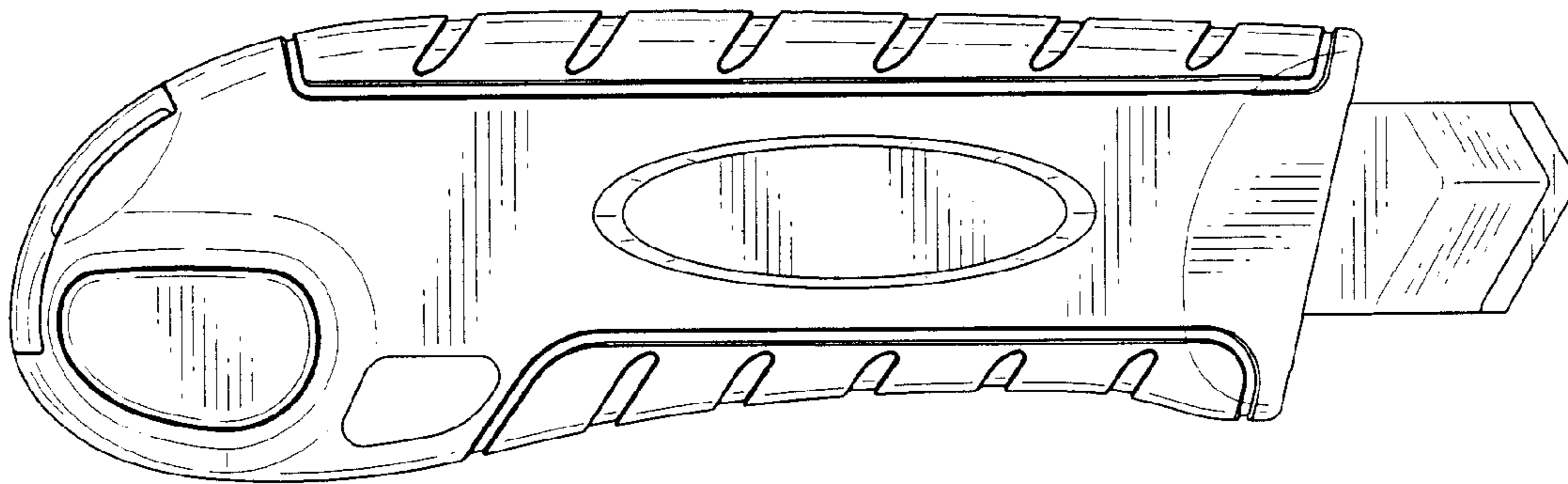


Fig. 4

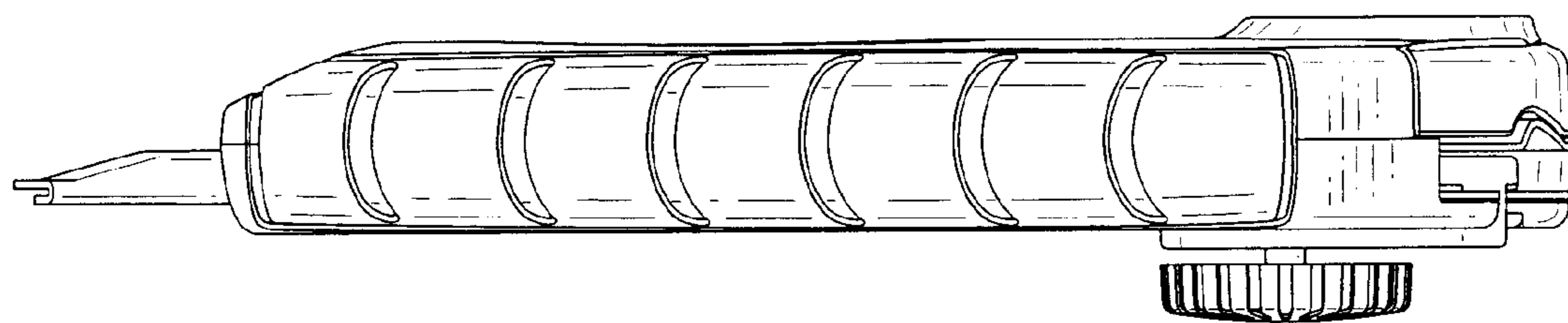


Fig. 5

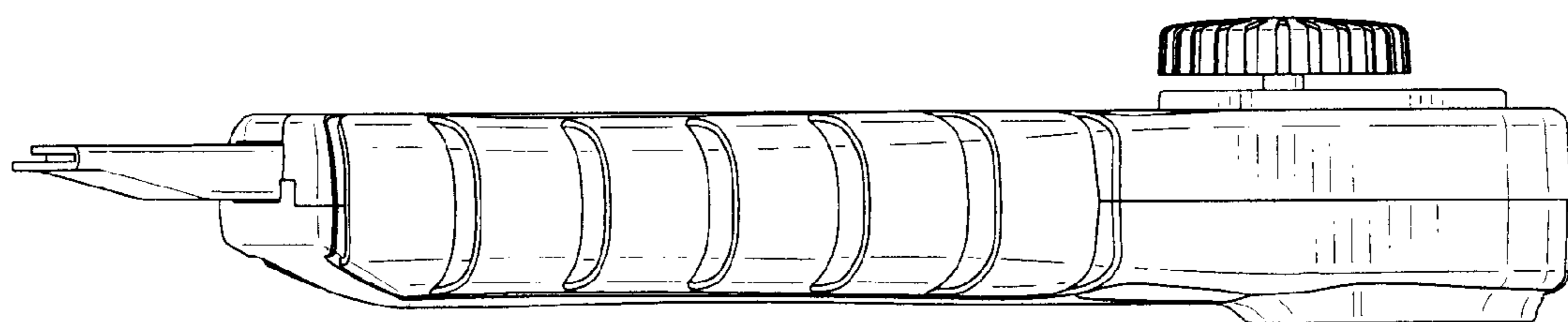


Fig. 6

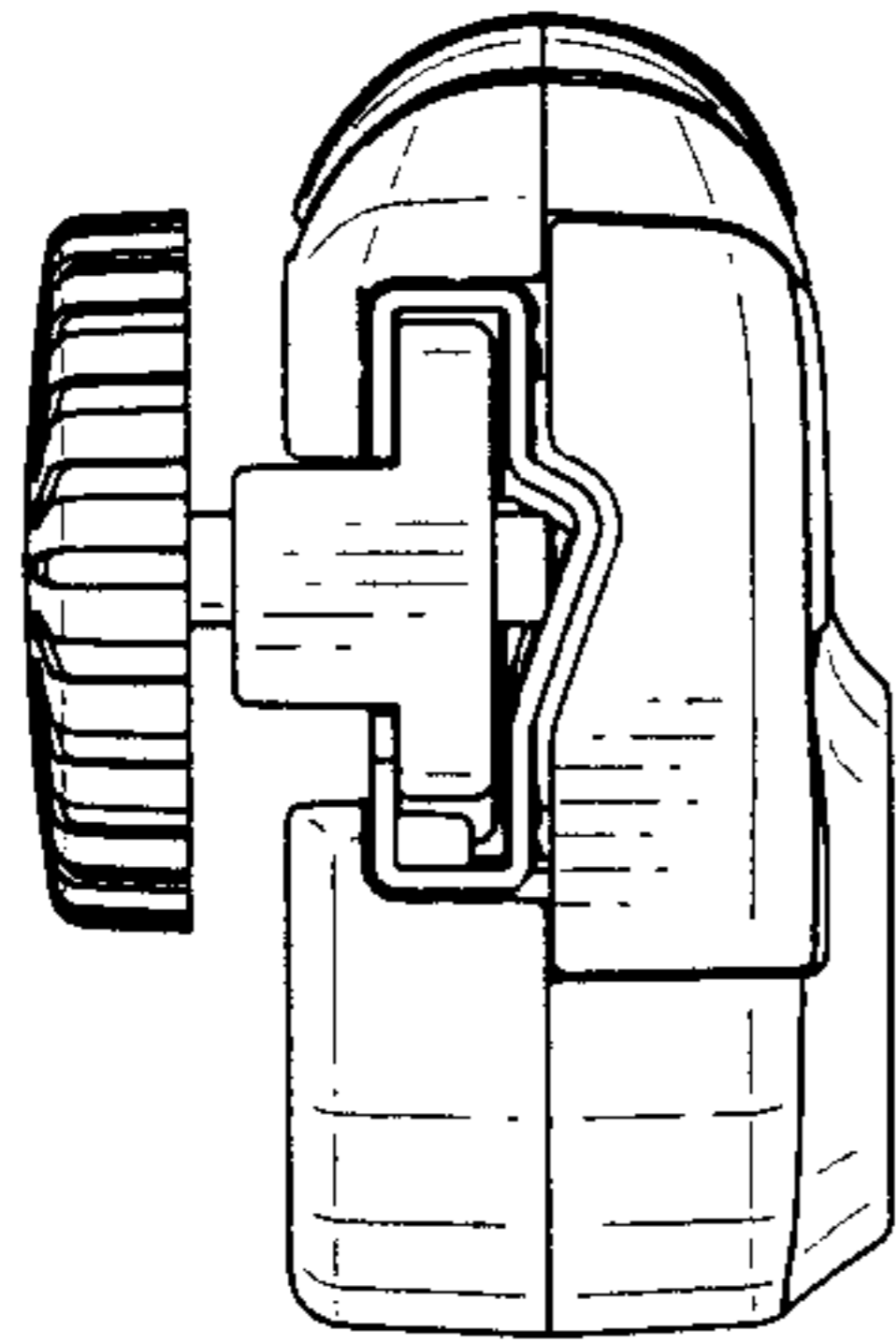


Fig. 7

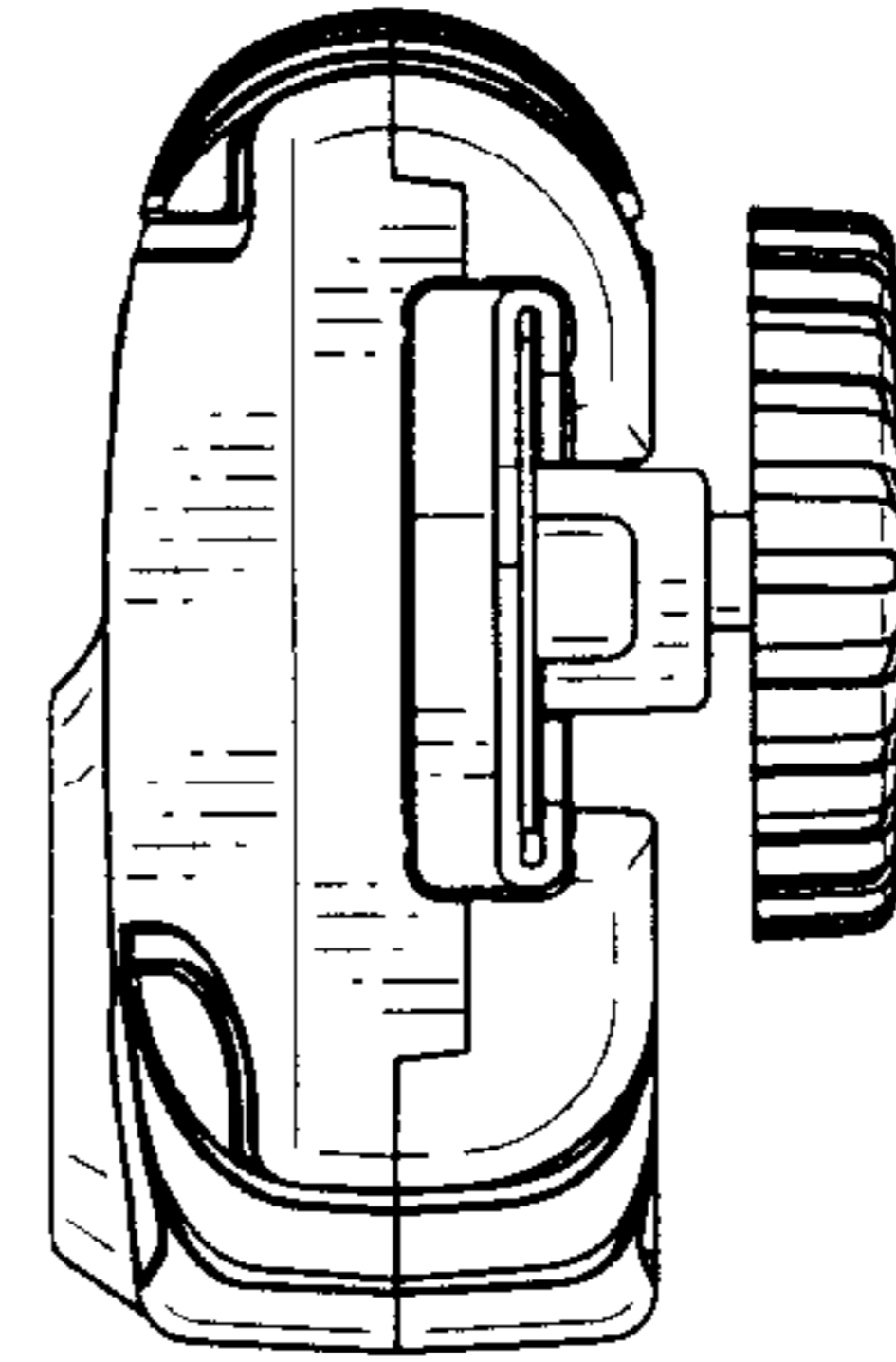


Fig. 8

