



US00D523314S

(12) **United States Design Patent**  
**Kimura**

(10) **Patent No.:** **US D523,314 S**  
(45) **Date of Patent:** **\*\* Jun. 20, 2006**

(54) **LOCK OPENING DEVICE**

(75) Inventor: **Kiyoshi Kimura**, Ebina (JP)

(73) Assignee: **Kabushiki Kaisha Ogura**,  
Kanagawa-ken (JP)

(\*\*) Term: **14 Years**

(21) Appl. No.: **29/214,540**

(22) Filed: **Oct. 5, 2004**

(30) **Foreign Application Priority Data**

Apr. 6, 2004 (JP) ..... 2004-010525

(51) **LOC (8) Cl.** ..... **08-05**

(52) **U.S. Cl.** ..... **D8/70**

(58) **Field of Classification Search** ..... D8/61,  
D8/62, 63, 64, 65, 66, 67, 68, 69, 70, 14;  
D15/133, 138, 139, 140, 124, 125, 127; 29/239,  
29/252; 30/228, 366; 72/392, 705; 81/186,  
81/302, 349, 423, 383.5, 900; 254/93 H,  
254/93 R; 403/378

See application file for complete search history.

(56) **References Cited**

**U.S. PATENT DOCUMENTS**

- 4,279,141 A \* 7/1981 Gallart ..... 72/705
- 4,333,330 A \* 6/1982 Porter ..... 72/705
- 4,358,946 A \* 11/1982 Gallart ..... 72/705
- 4,392,263 A \* 7/1983 Amoroso ..... 30/228
- 4,531,289 A \* 7/1985 Brick ..... 30/228
- 4,842,249 A \* 6/1989 Weigand ..... 254/83 R
- RE33,002 E \* 8/1989 Brick ..... 30/228
- 4,973,028 A \* 11/1990 Linster ..... 254/93 R
- D326,597 S \* 6/1992 Lee ..... D8/68
- 5,272,811 A \* 12/1993 Armand ..... 30/228
- 5,297,780 A \* 3/1994 Hickerson ..... 72/705
- 5,544,862 A \* 8/1996 Hickerson ..... 72/705
- 5,622,353 A \* 4/1997 Painter et al. .... 254/93 R

- 5,956,992 A \* 9/1999 Patton ..... 72/392
- 6,000,680 A \* 12/1999 Kimura et al. .... 254/93 R
- 6,244,568 B1 \* 6/2001 Patton ..... 254/93 H
- 6,267,354 B1 \* 7/2001 Stephen ..... 254/93 R
- 6,311,537 B1 \* 11/2001 Vigil ..... 72/392
- 6,389,870 B1 \* 5/2002 Vigil ..... 72/392
- 6,443,430 B1 \* 9/2002 Eisterlehner ..... 254/93 R
- 6,578,821 B1 \* 6/2003 Lasaroff et al. .... 72/705
- D487,386 S \* 3/2004 Clivio ..... D8/70
- D492,949 S 7/2004 Kimura

**FOREIGN PATENT DOCUMENTS**

- JP 1025902 11/1998
- JP 1156122 10/2002

**OTHER PUBLICATIONS**

- U.S. Appl. No. 29/214,546, filed Oct. 5, 2004.
- U.S. Appl. No. 29/182,146, filed May 20, 2003.

\* cited by examiner

*Primary Examiner*—Gary D. Watson  
*Assistant Examiner*—T. Chase Nelson  
(74) *Attorney, Agent, or Firm*—Leydig, Voit, & Mayer, Ltd.

(57) **CLAIM**

The ornamental design for a lock opening device, as shown and described.

**DESCRIPTION**

FIG. 1 is a perspective view of the lock opening device; FIG. 2 is a front elevational view thereof; FIG. 3 is a rear elevational view thereof; FIG. 4 is a left side elevational view thereof; FIG. 5 is a right side elevational view thereof; FIG. 6 is a top plan view thereof; FIG. 7 is a bottom plan view thereof; and, FIG. 8 is a top plan view of the work end part of the device in an open position.

**1 Claim, 2 Drawing Sheets**

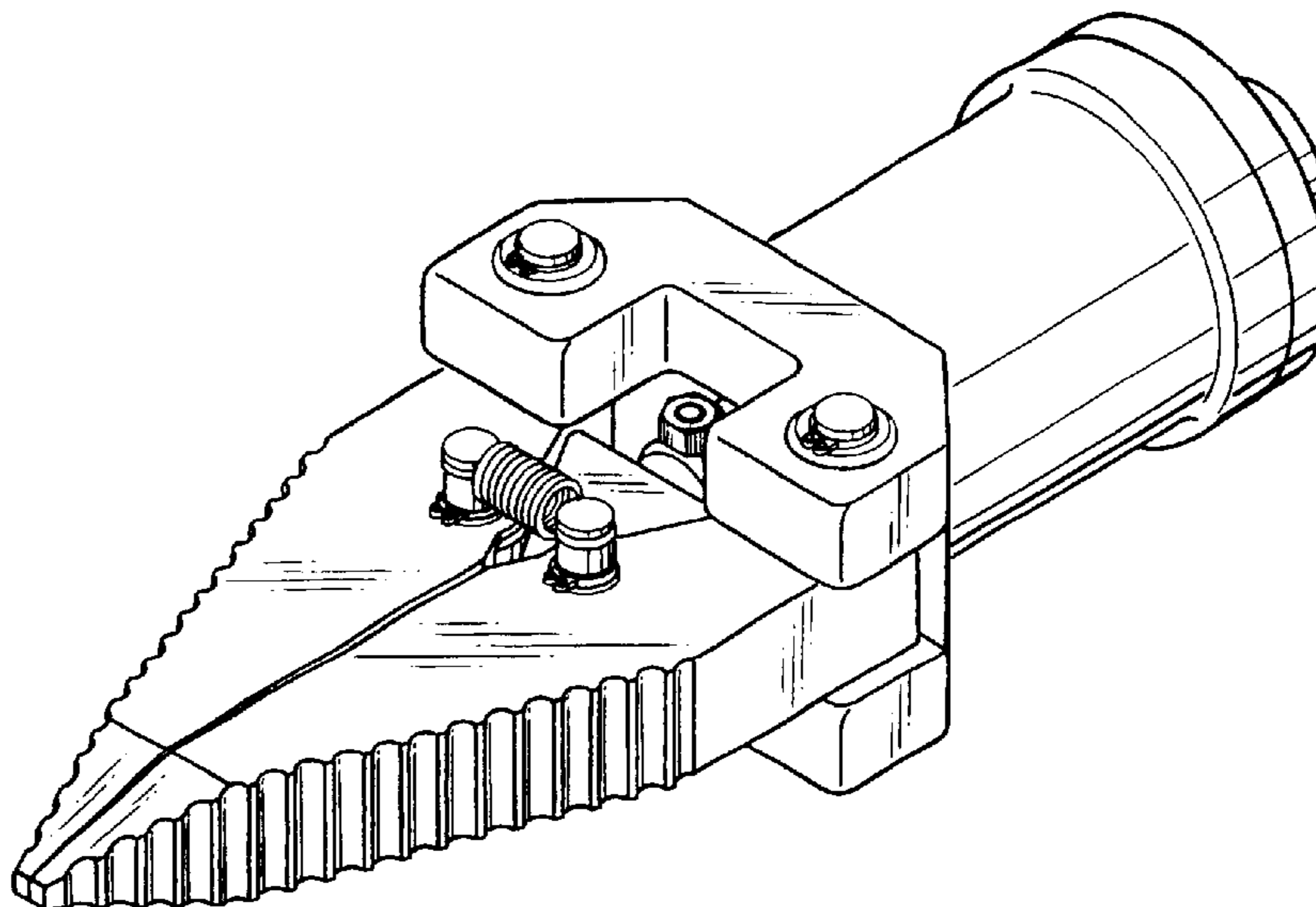


FIG. 1

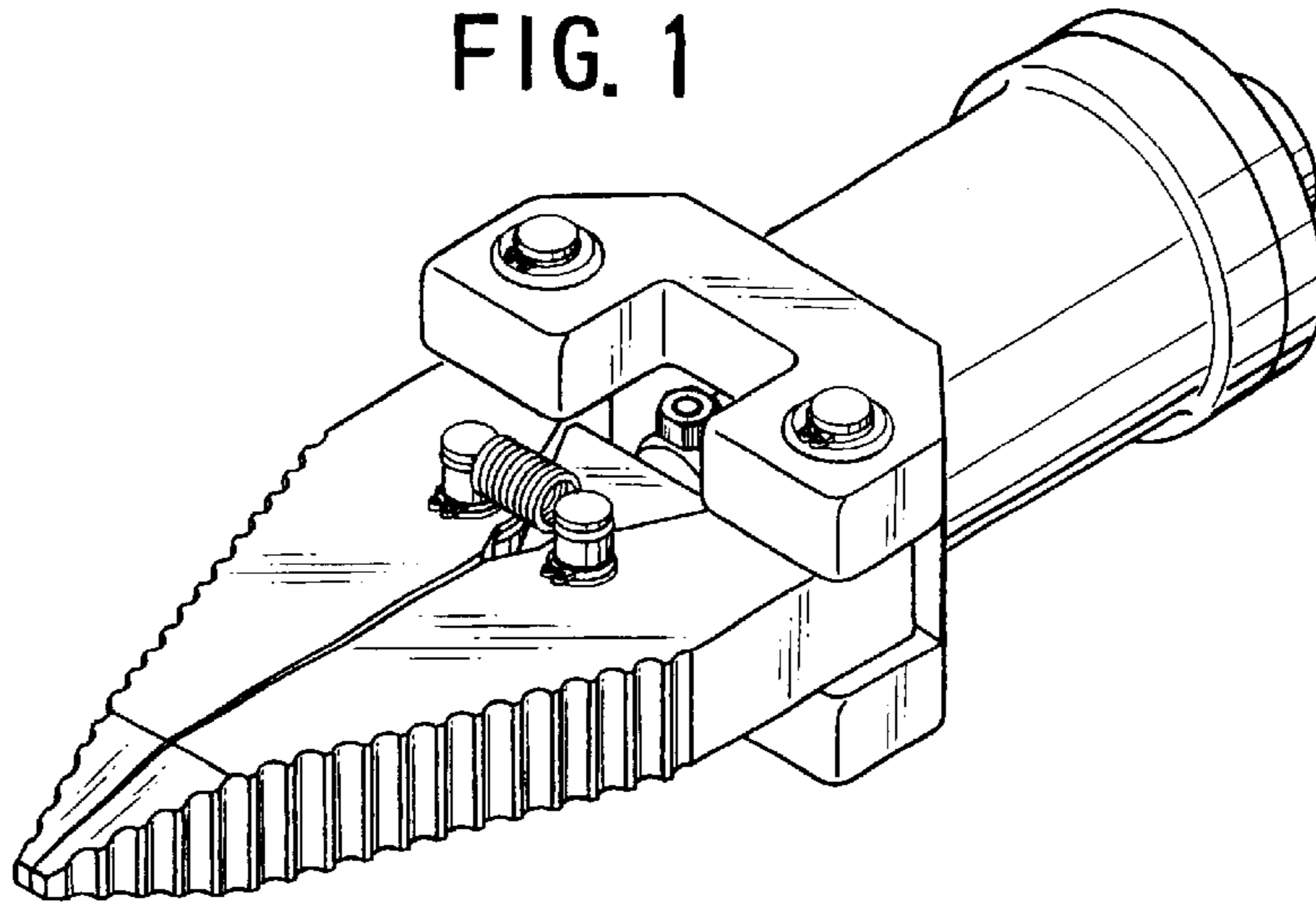


FIG. 2

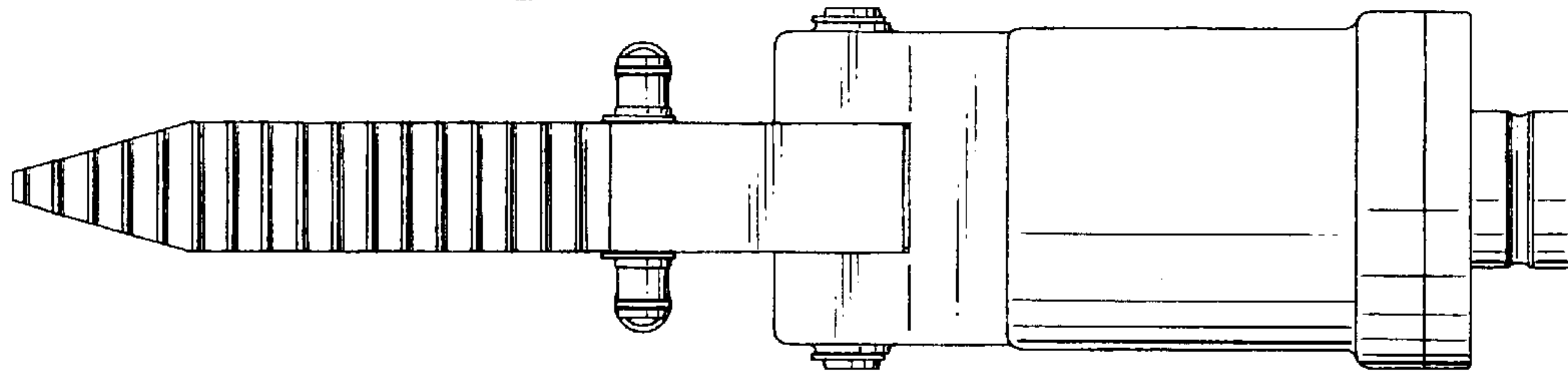


FIG. 3

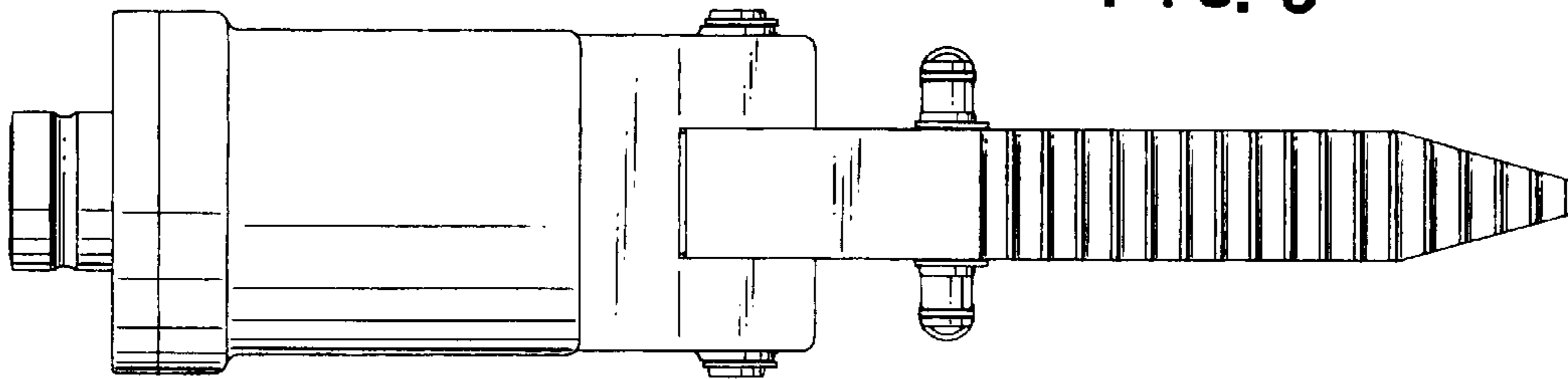


FIG. 4

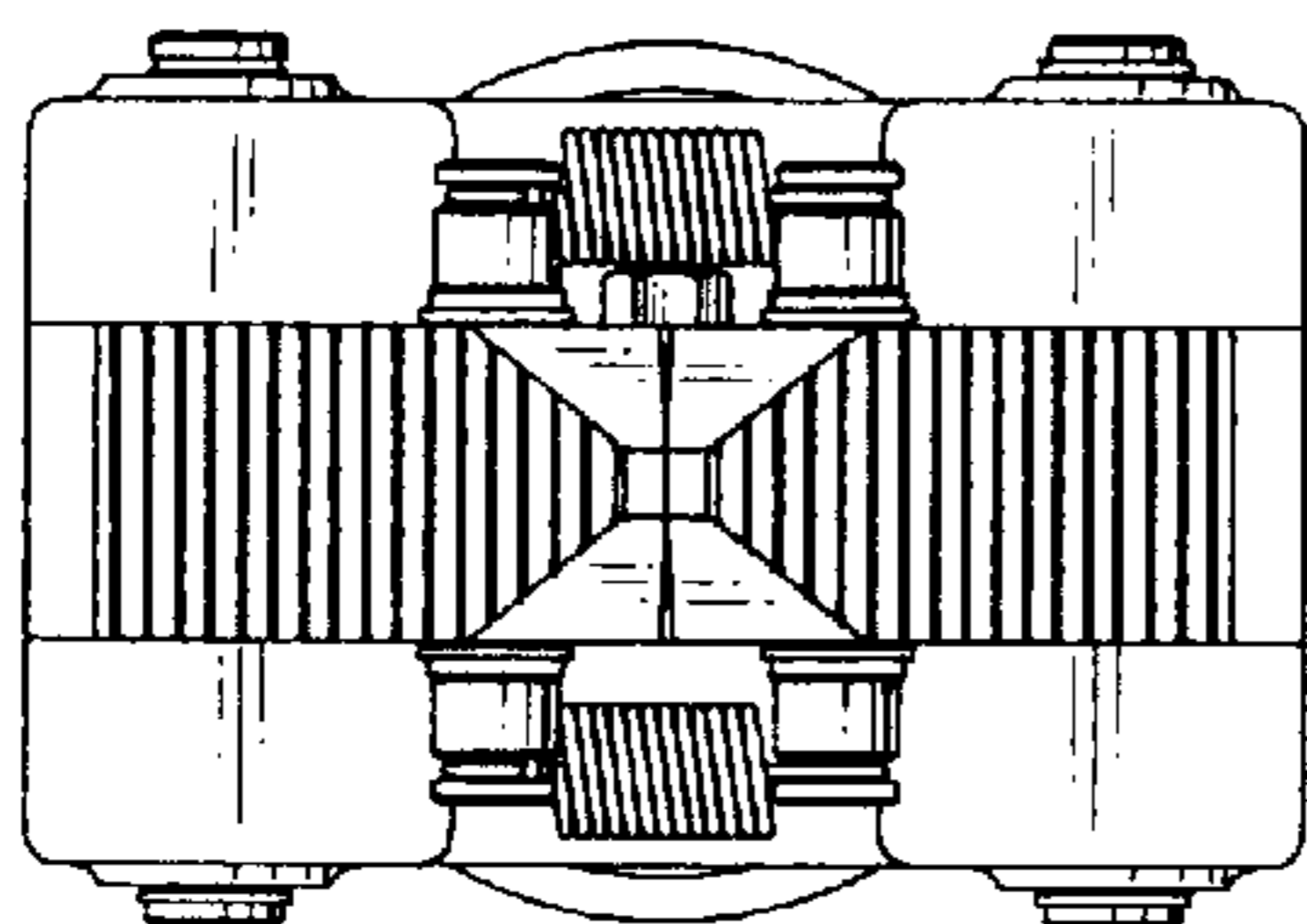


FIG. 5

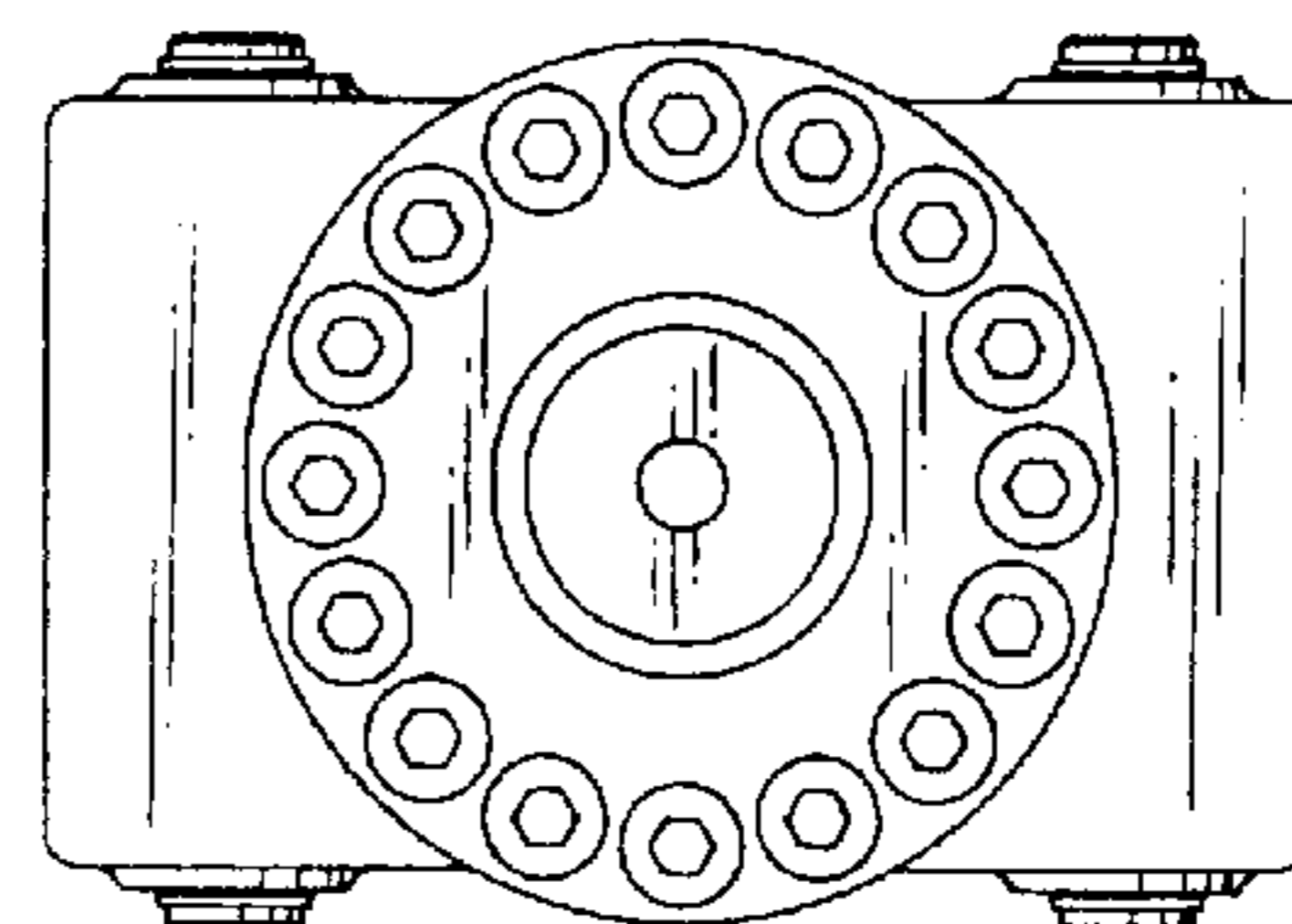


FIG. 6

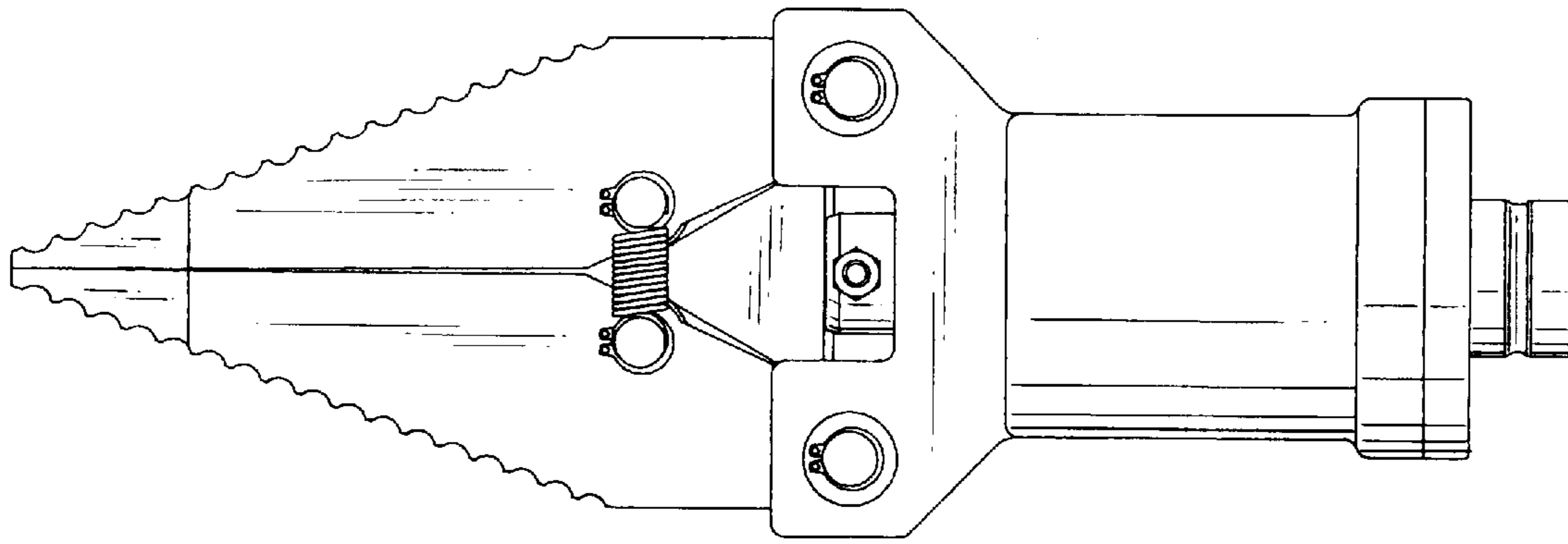


FIG. 7

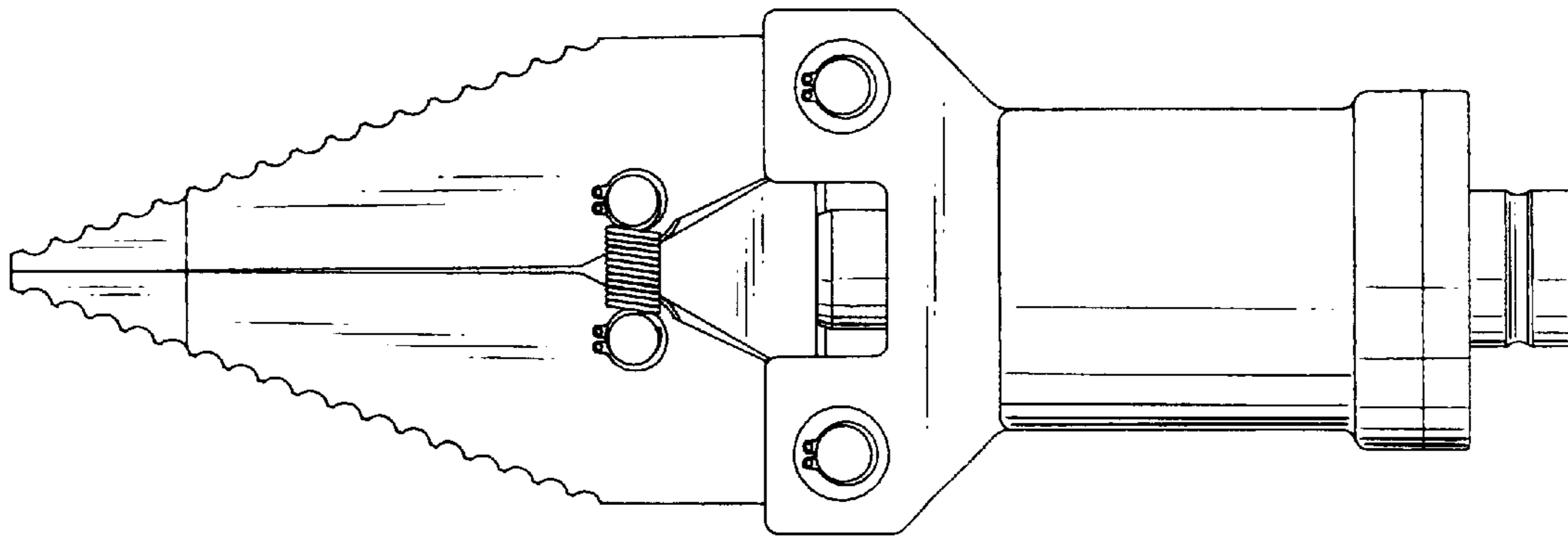


FIG. 8

