



US00D523311S

(12) **United States Design Patent** (10) **Patent No.:** **US D523,311 S**
Welsh et al. (45) **Date of Patent:** **** Jun. 20, 2006**

(54) **JIGSAW**
(75) Inventors: **Robert P. Welsh**, Hunt Valley, MD (US); **Graham Bone**, Carrville (GB); **Martin Harnett**, Stockton-on Tees (GB)
(73) Assignee: **Black & Decker Inc.**, Newark, DE (US)
(**) Term: **14 Years**
(21) Appl. No.: **29/213,423**
(22) Filed: **Sep. 17, 2004**
(51) **LOC (8) Cl.** **08-03**
(52) **U.S. Cl.** **D8/64**
(58) **Field of Classification Search** D8/69, D8/68, 67, 66, 64, 61; 83/747, 699.21; 310/50; 30/394, 393, 392, 391, 390, 377, 376; 173/217, 173/216
See application file for complete search history.

D440,474 S 4/2001 Heun
D451,356 S 12/2001 Pretzell
D462,591 S 9/2002 Gist
D463,963 S 10/2002 Metaxatos et al.
D468,983 S 1/2003 Kondo et al.
D474,384 S 5/2003 Andriolo
D475,264 S 6/2003 Kondo et al.
D476,871 S 7/2003 Santarsiero et al.
D484,381 S 12/2003 Yamada et al.
D486,711 S 2/2004 Tam et al.
D489,239 S * 5/2004 Keller D8/64
D505,851 S * 6/2005 Waldron D8/64
2002/0124419 A1 * 9/2002 Hirabayashi 30/329
2003/0167641 A1 * 9/2003 Teng 30/337
2003/0196338 A1 * 10/2003 Eto et al. 30/392
2005/0229408 A1 * 10/2005 Ngan et al. 30/376

FOREIGN PATENT DOCUMENTS

DE M 91 07 234 4/1991
DE M 94 03 565 12/1993
DE M 98 00 647 1/1998
DE 498 10 724 5/1998
DE 499 01 078 8/1998
DE 499 05 194 5/1999
DE 401 06 684 7/2001
DE 000032693-0001 5/2003

* cited by examiner

Primary Examiner—Cathron C. Brooks
Assistant Examiner—Austin Murphy
(74) *Attorney, Agent, or Firm*—Michael P. Leary; Charles E. Yocum; Adan Ayala

(57) **CLAIM**

The ornamental design for a jigsaw, as shown and described.

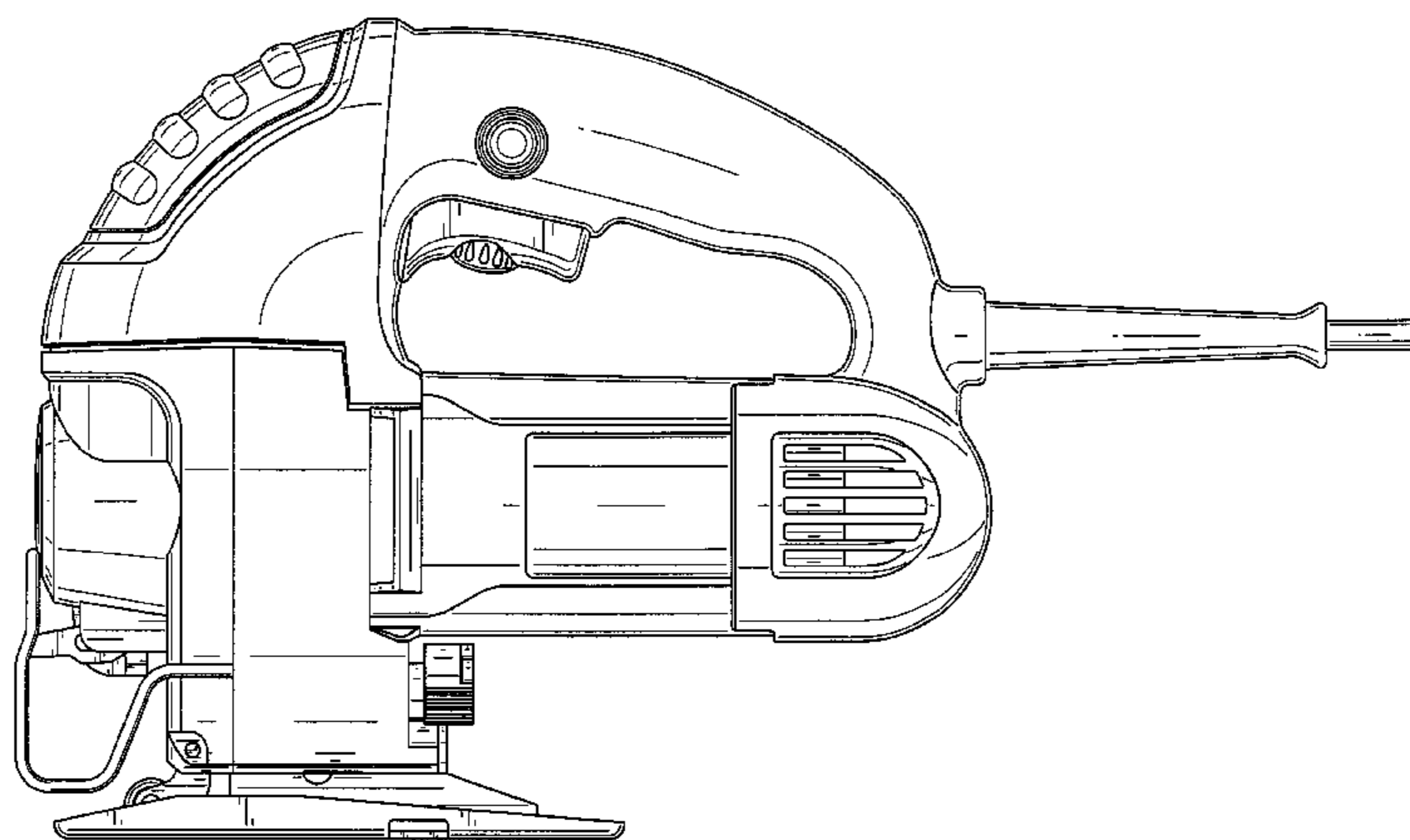
DESCRIPTION

FIG. 1 is a front/left perspective view of a jigsaw showing our new design.
FIG. 2 is a front elevational view thereof.
FIG. 3 is a rear elevational view thereof.
FIG. 4 is a right side elevational view thereof.
FIG. 5 is a left side elevational view thereof.
FIG. 6 is a top plan view thereof; and,
FIG. 7 is a bottom plan view thereof.
The broken lines shown in the drawings form no part of the claimed design.

1 Claim, 7 Drawing Sheets

(56) **References Cited**
U.S. PATENT DOCUMENTS

D175,185 S 7/1955 Oakley
D191,570 S 10/1961 Downs
D192,134 S 1/1962 Johnson
3,494,390 A * 2/1970 Dudek 30/394
3,863,342 A * 2/1975 Griffies et al. 30/393
3,971,132 A * 7/1976 Griffies et al. 30/393
D282,625 S 2/1986 Schultz et al.
D287,930 S 1/1987 Somers
4,693,009 A * 9/1987 Bone 30/392
D295,945 S 5/1988 Sakamoto et al.
D297,208 S 8/1988 Somers
D297,401 S 8/1988 Clowers
D329,005 S 9/1992 Hoshino et al.
5,205,043 A * 4/1993 Batt et al. 30/393
D337,709 S 7/1993 Ogawa et al.
D339,276 S 9/1993 Matsuoka et al.
5,727,322 A * 3/1998 Giacometti 30/376
5,765,463 A * 6/1998 Okubo et al. 83/747
D404,274 S 1/1999 Ogasawara et al.
D409,469 S 5/1999 Niwa et al.
D414,094 S 9/1999 Heun
D420,876 S 2/2000 Bosten et al.
D423,314 S 4/2000 Robson



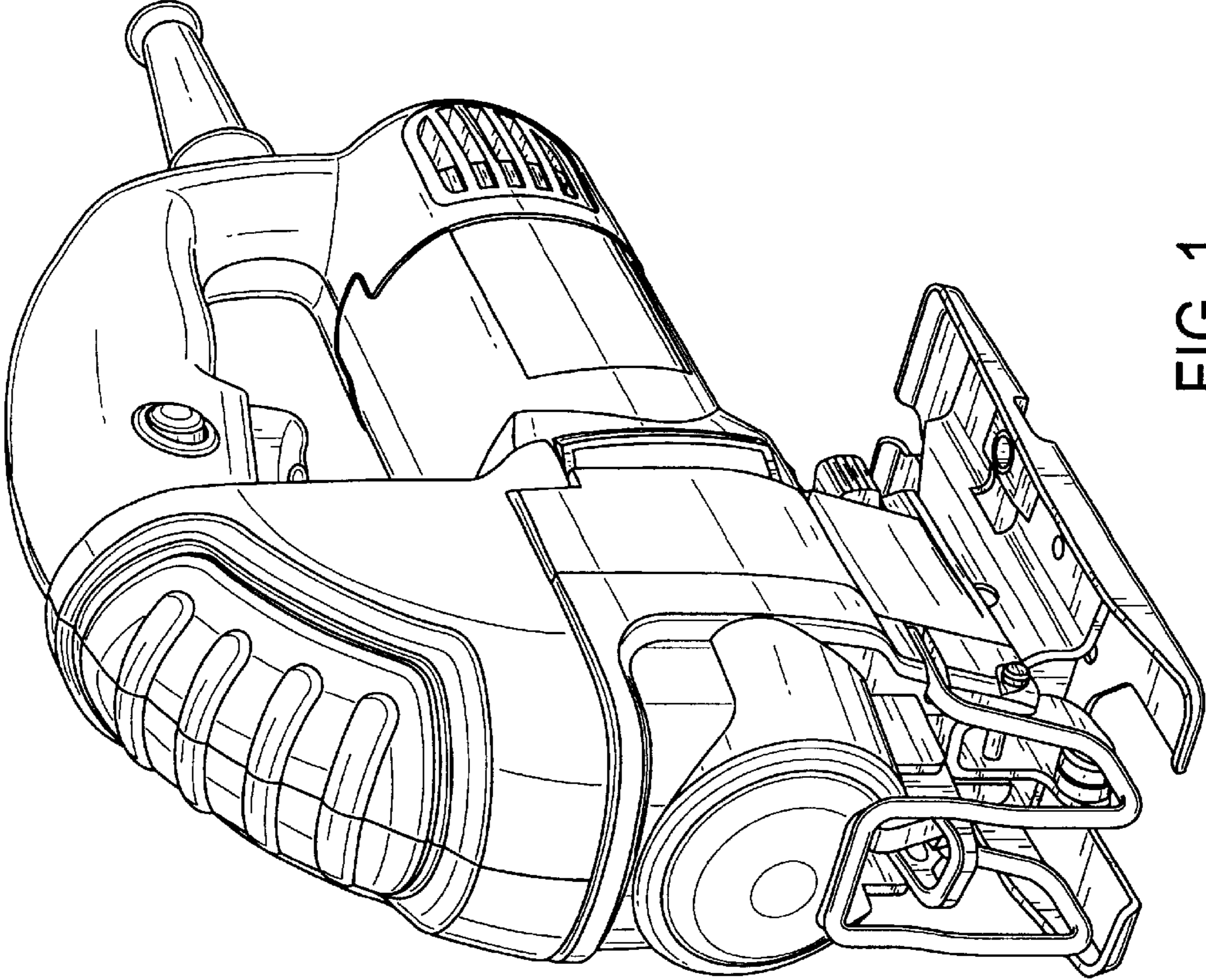


FIG. 1

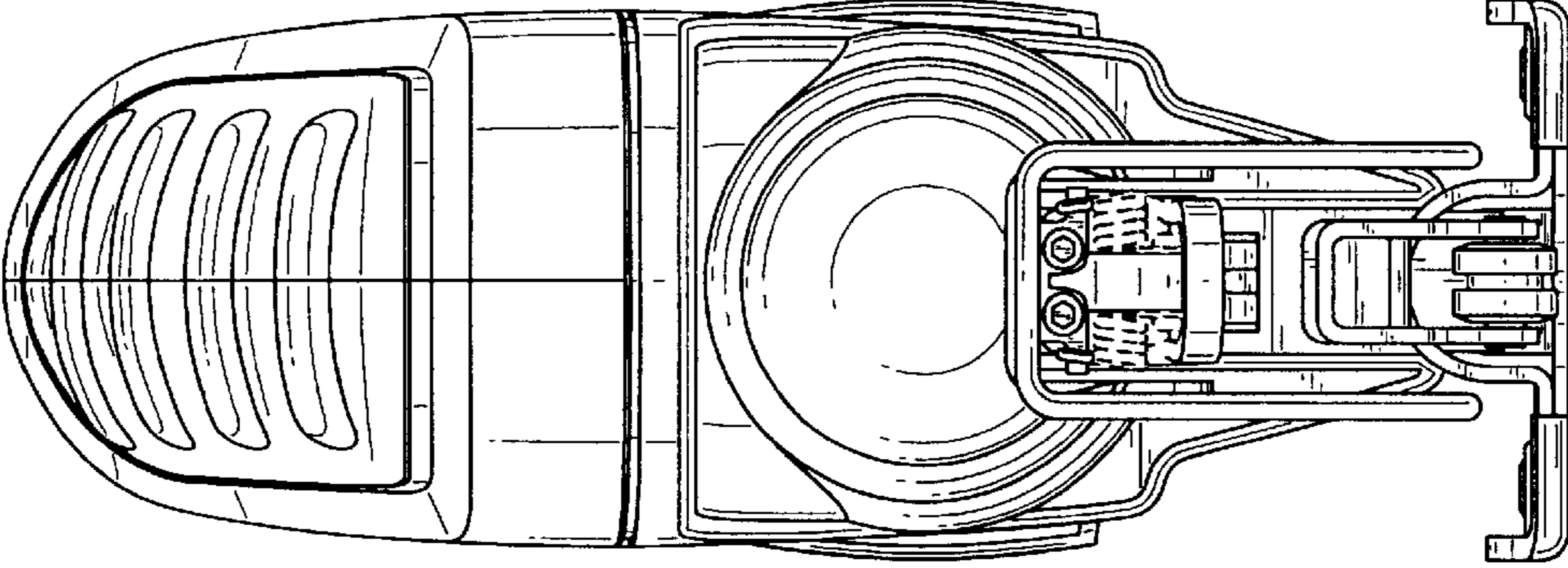


FIG. 2

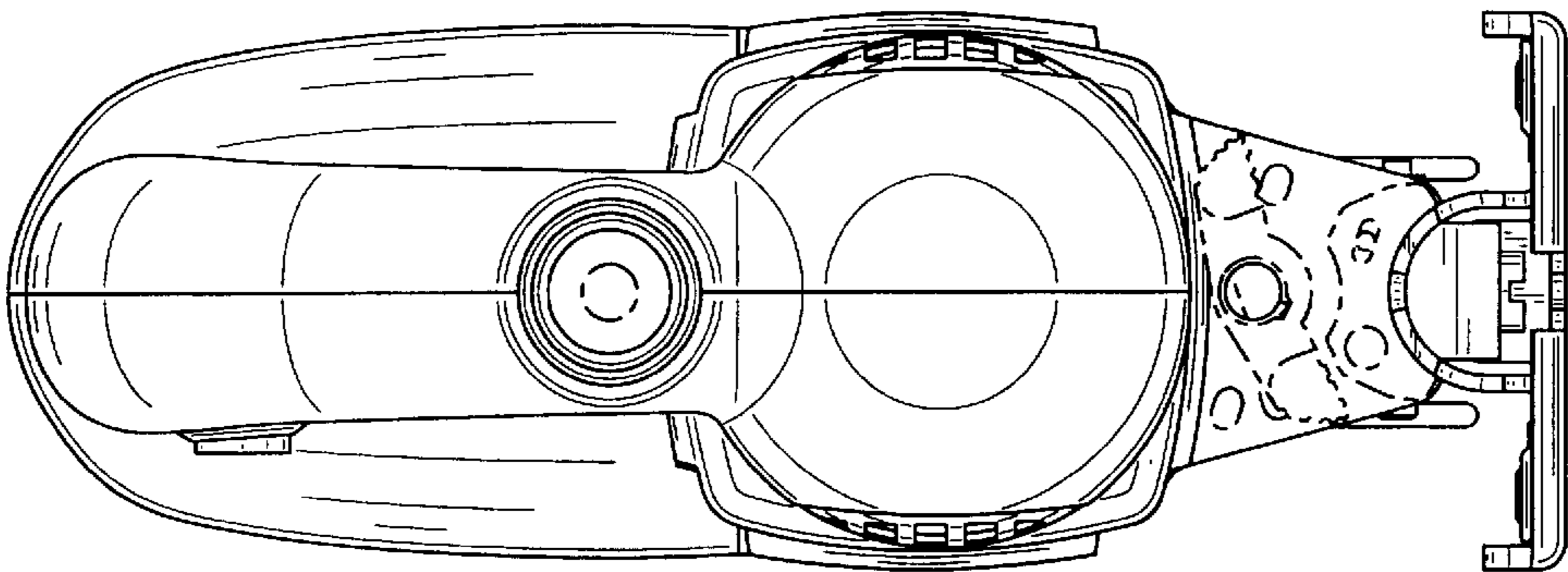


FIG. 3

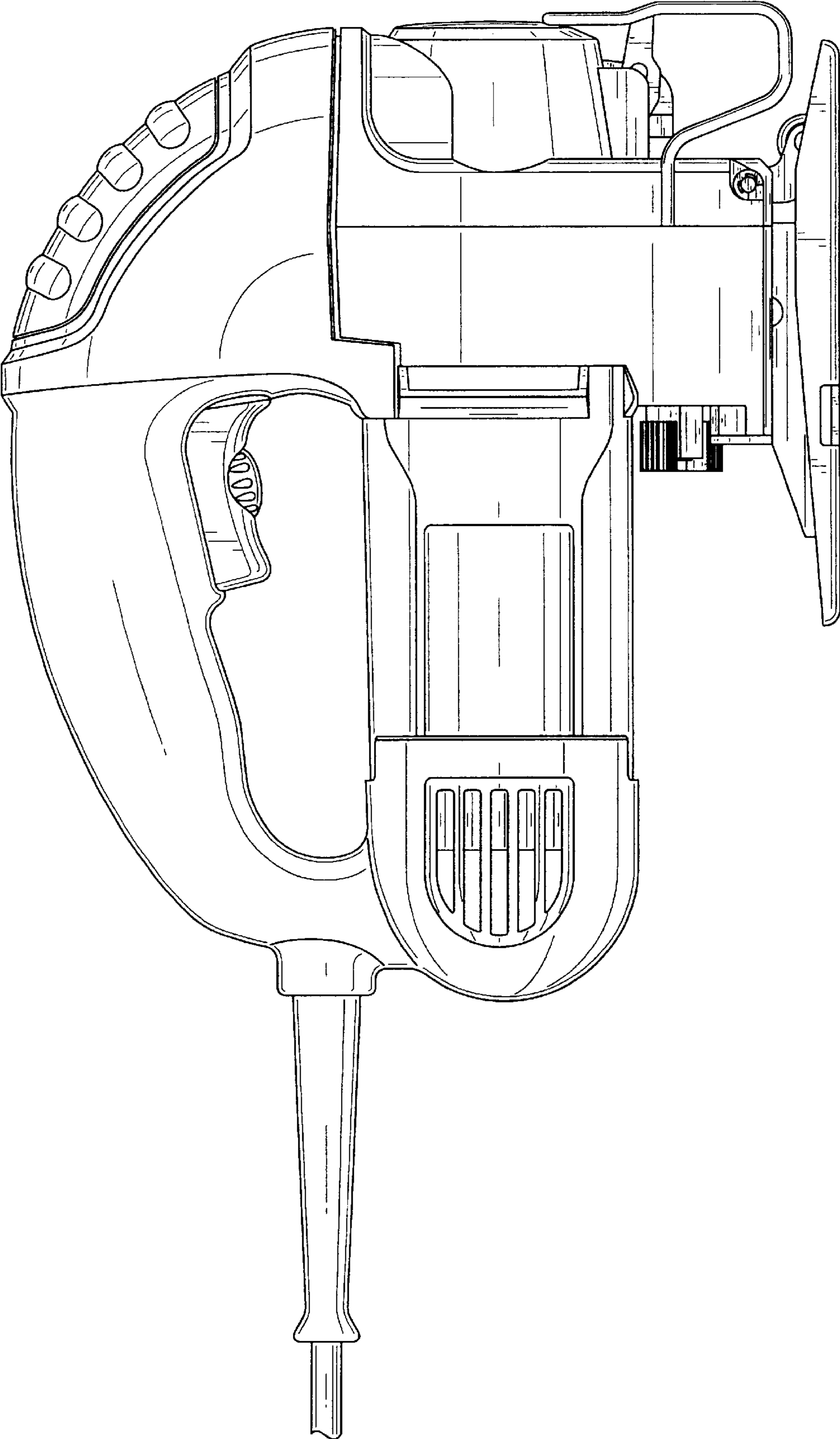


FIG. 4

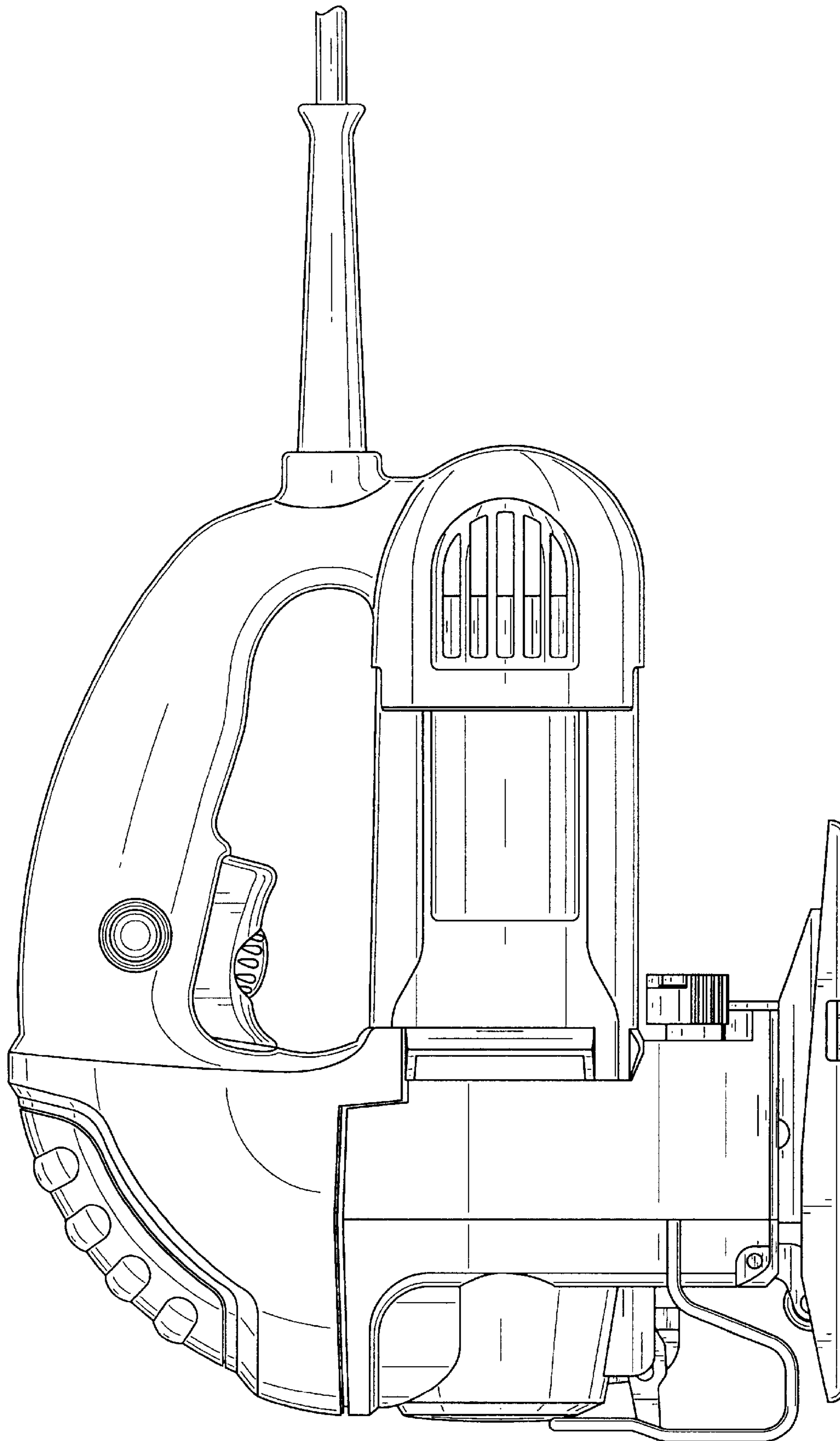


FIG. 5

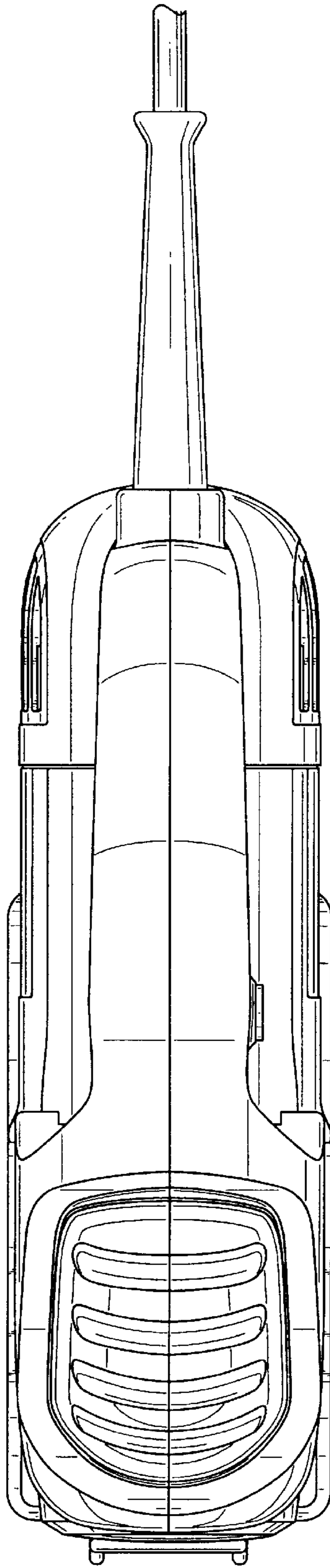


FIG. 6

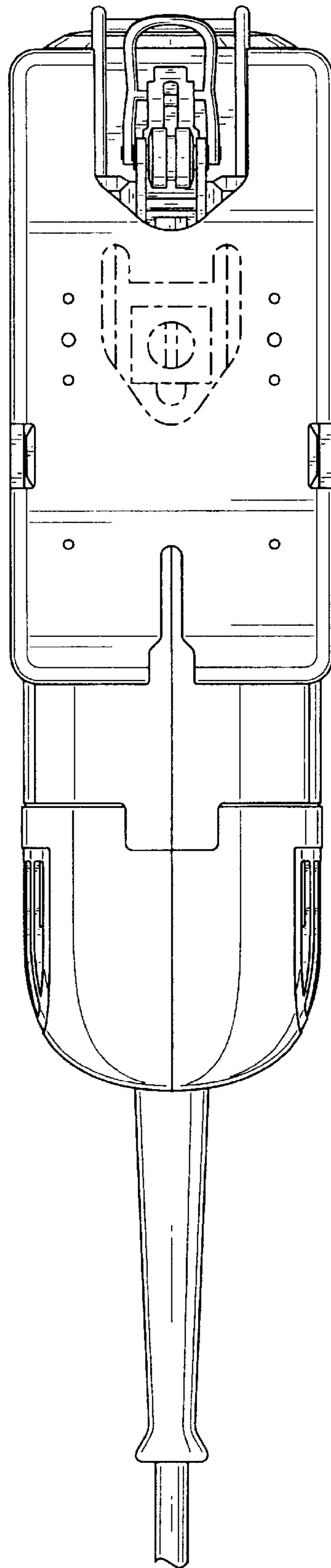


FIG. 7