



US00D523310S

(12) **United States Design Patent**  
**Wikle et al.**

(10) **Patent No.:** **US D523,310 S**  
(45) **Date of Patent:** **\*\* Jun. 20, 2006**

- (54) **RECIPROCATING SAW**
- (75) Inventors: **David L. Wikle**, York, PA (US);  
**Joseph D. Anderson**, York, PA (US);  
**Jonathan D. Bigden**, Baltimore, MD (US)
- (73) Assignee: **Black & Decker Inc.**, Newark, DE (US)
- (\*\*) Term: **14 Years**
- (21) Appl. No.: **29/203,848**
- (22) Filed: **Apr. 20, 2004**
- (51) **LOC (8) Cl.** ..... **08-03**
- (52) **U.S. Cl.** ..... **D8/64**
- (58) **Field of Classification Search** ..... D8/69,  
D8/68, 67, 66, 65, 64, 62, 61; 30/92, 394,  
30/393, 392, 377, 376, 371; 74/50, 49; 173/217,  
173/216; 83/699.21; 446/145  
See application file for complete search history.

- 6,272,757 B1 8/2001 Roe
- D447,924 S 9/2001 Neitzell et al.
- 6,282,797 B1 \* 9/2001 Osada et al. .... 30/392
- 6,286,217 B1 9/2001 Dassoulas et al.
- 6,357,125 B1 \* 3/2002 Feldmann et al. .... 30/392
- D456,233 S 4/2002 Main
- D468,982 S 1/2003 Brazell et al.
- D471,418 S 3/2003 Chunn et al.
- D473,771 S 4/2003 Hayakawa et al.
- D474,088 S 5/2003 Chunn et al.
- D479,453 S 9/2003 Lind et al.
- D480,616 S 10/2003 Welsh
- D487,384 S 3/2004 Neitzell et al.
- D504,603 S \* 5/2005 Xiaoxian ..... D8/64
- D506,117 S \* 6/2005 Sun et al. .... D8/64
- 6,912,790 B1 \* 7/2005 James et al. .... 30/392
- 2001/0011420 A1 \* 8/2001 Osada ..... 30/392
- 2002/0138991 A1 \* 10/2002 Tachibana et al. .... 30/392
- 2002/0144411 A1 \* 10/2002 Brooks ..... 30/392
- 2003/0110645 A1 \* 6/2003 Phillips et al. .... 30/392
- 2003/0163924 A1 \* 9/2003 Hempe et al. .... 30/388

(Continued)

*Primary Examiner*—Cathron C. Brooks  
*Assistant Examiner*—Austin Murphy  
(74) *Attorney, Agent, or Firm*—Michael P. Leary; Charles E. Yocum; Adan Ayala

(56) **References Cited**

**U.S. PATENT DOCUMENTS**

- D202,255 S 9/1965 Romain et al.
- D292,368 S 10/1987 Mikiya
- 5,007,172 A 4/1991 Palm
- D322,921 S 1/1992 Bosten et al.
- 5,079,844 A 1/1992 Palm
- 5,083,376 A 1/1992 Lentino
- D329,794 S 9/1992 Graham
- D339,510 S 9/1993 Sakamoto et al.
- 5,598,636 A 2/1997 Stolzer
- 5,794,352 A \* 8/1998 Dassoulas ..... D0/392
- D401,128 S 11/1998 Zurwelle
- 5,855,070 A \* 1/1999 Grabowski ..... 30/376
- D408,699 S 4/1999 Zurwelle
- D409,468 S 5/1999 Uchida et al.
- D415,100 S 10/1999 Buck
- D416,180 S 11/1999 Sakai et al.
- D428,786 S 8/2000 Hayakawa et al.
- D434,627 S 12/2000 Buck
- D440,849 S 4/2001 Sakai et al.
- 6,249,979 B1 6/2001 Bednar et al.

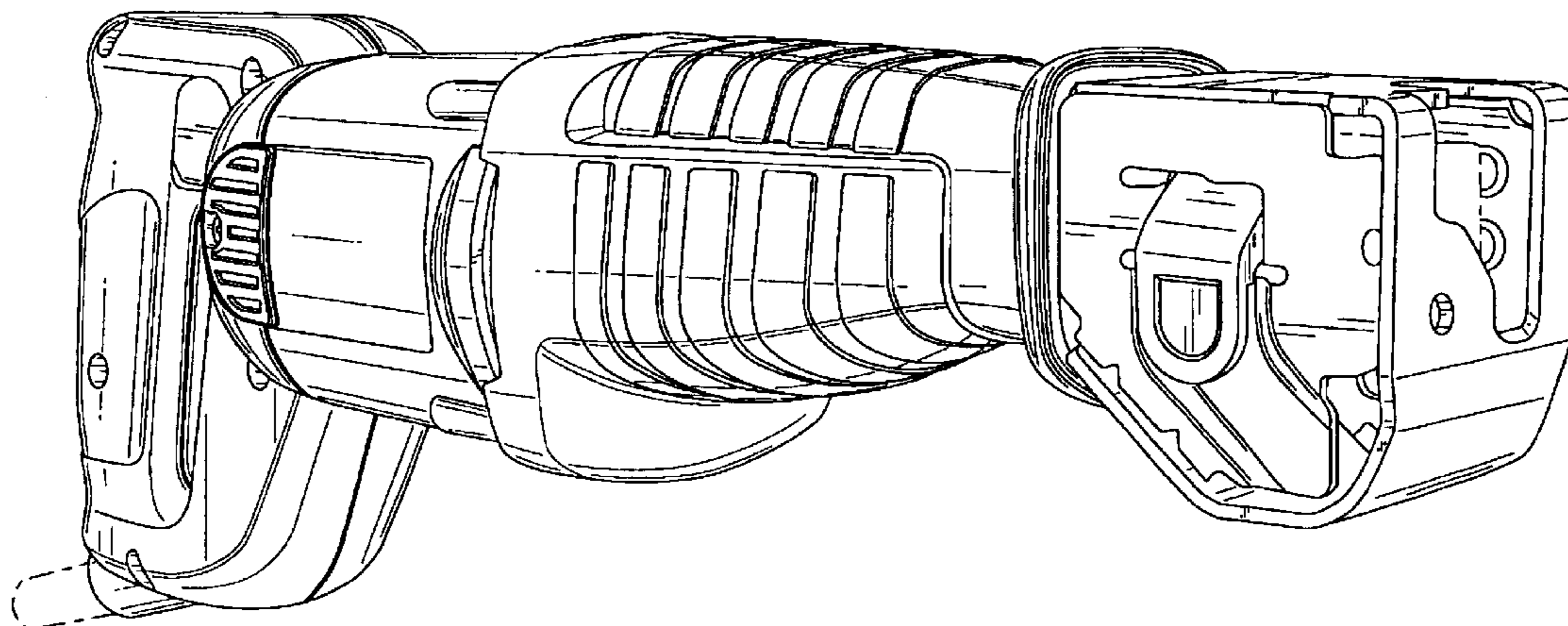
(57) **CLAIM**

The ornamental design for a reciprocating saw, as shown and described.

**DESCRIPTION**

FIG. 1 is a perspective view of a reciprocating saw showing our new design.  
FIG. 2 is a front view thereof.  
FIG. 3 is a rear view thereof.  
FIG. 4 is a right side view thereof.  
FIG. 5 is a left side view thereof.  
FIG. 6 is a top view thereof; and,  
FIG. 7 is a bottom view thereof.  
The broken lines and the areas within the broken lines form no part of the claimed ornamental design.

**1 Claim, 7 Drawing Sheets**



# US D523,310 S

Page 2

---

## U.S. PATENT DOCUMENTS

2004/0148789	A1 *	8/2004	Gist et al. ....	30/392	2005/0126018	A1 *	6/2005	Haas .....	30/394
2004/0149553	A1 *	8/2004	Duffek et al. ....	200/61.58 R	2005/0183271	A1 *	8/2005	Sugiura et al. ....	30/392
2005/0039340	A1 *	2/2005	Bigden et al. ....	30/392	2005/0262710	A1 *	12/2005	Moreno .....	30/394
2005/0092156	A1 *	5/2005	Michel et al. ....	83/698.11					

\* cited by examiner

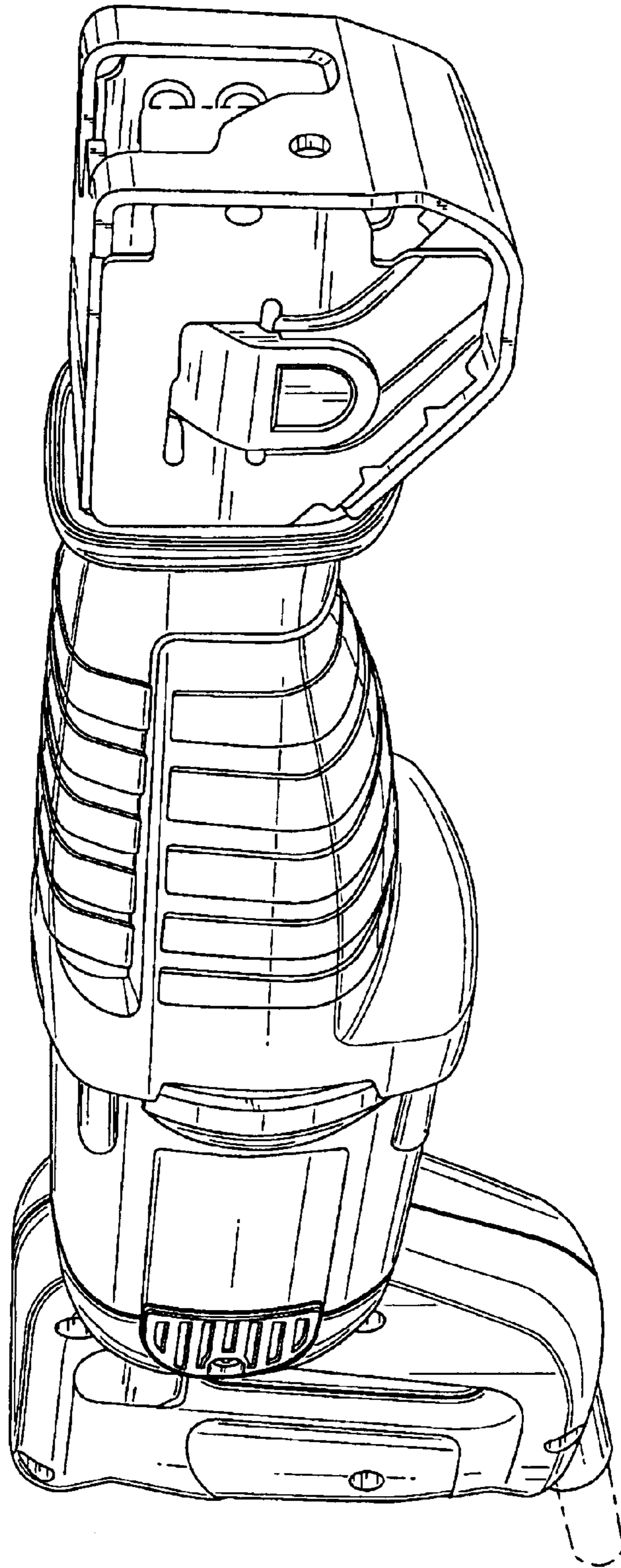


FIG. 1

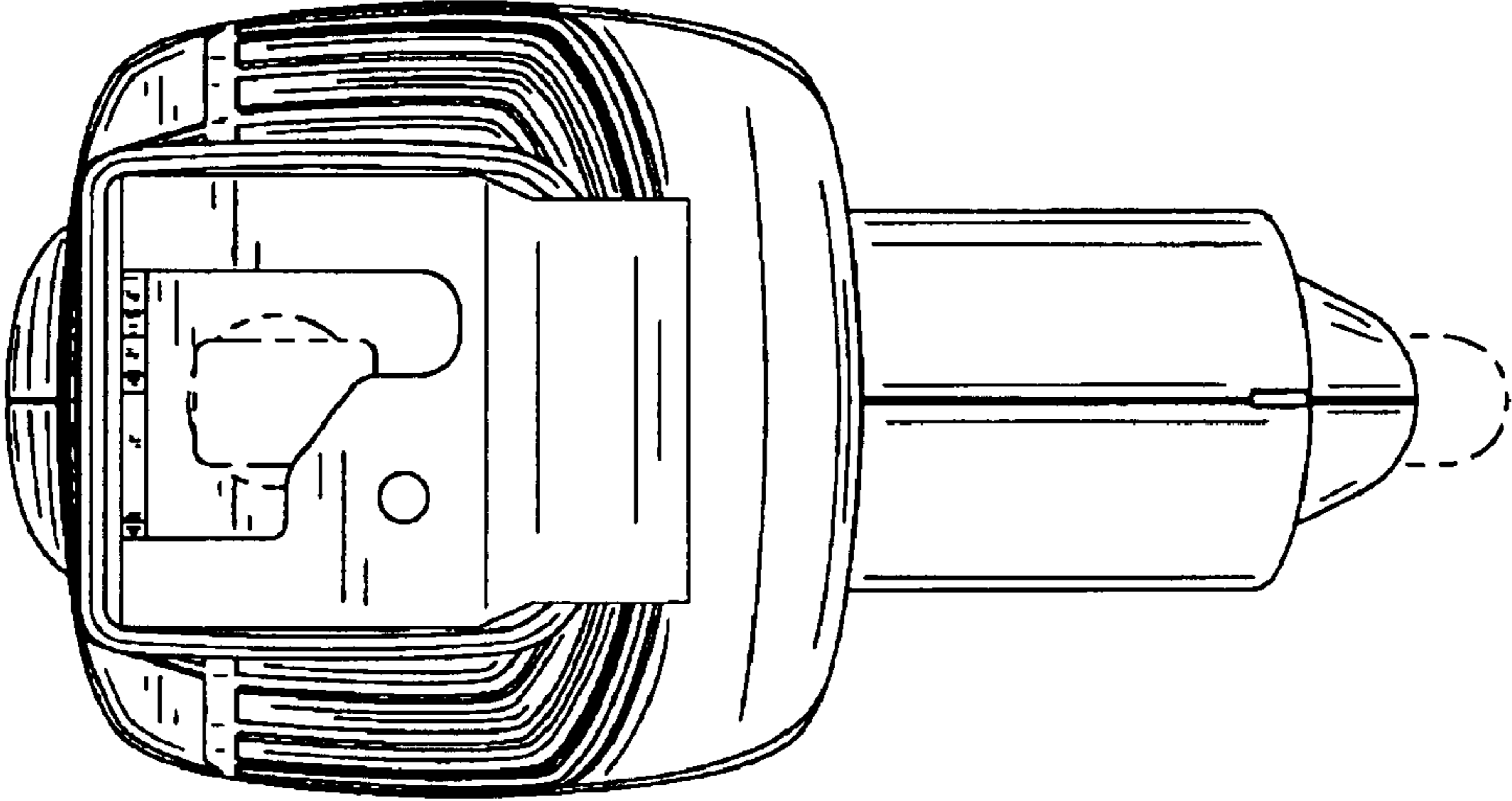


FIG. 2

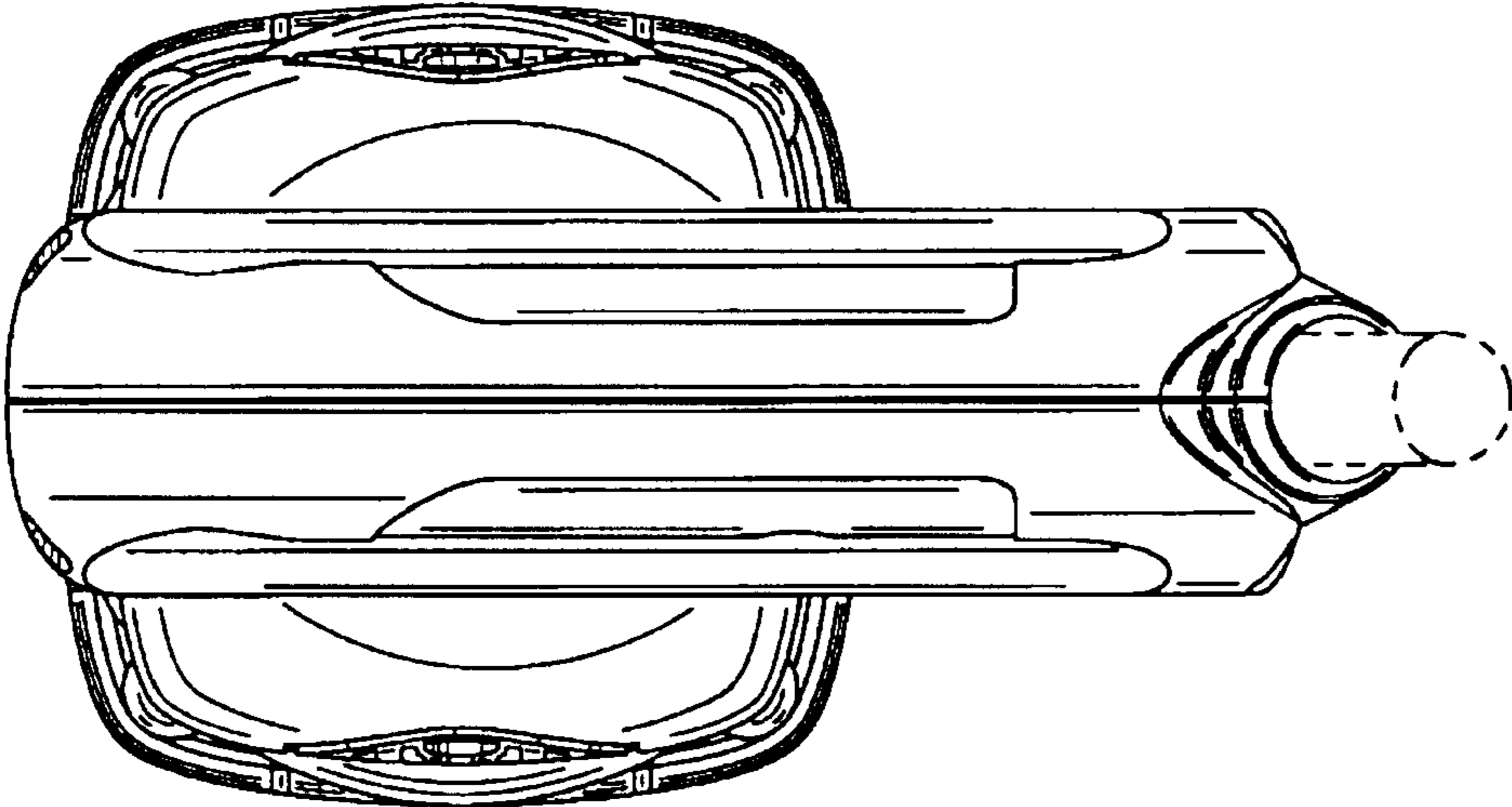


FIG. 3

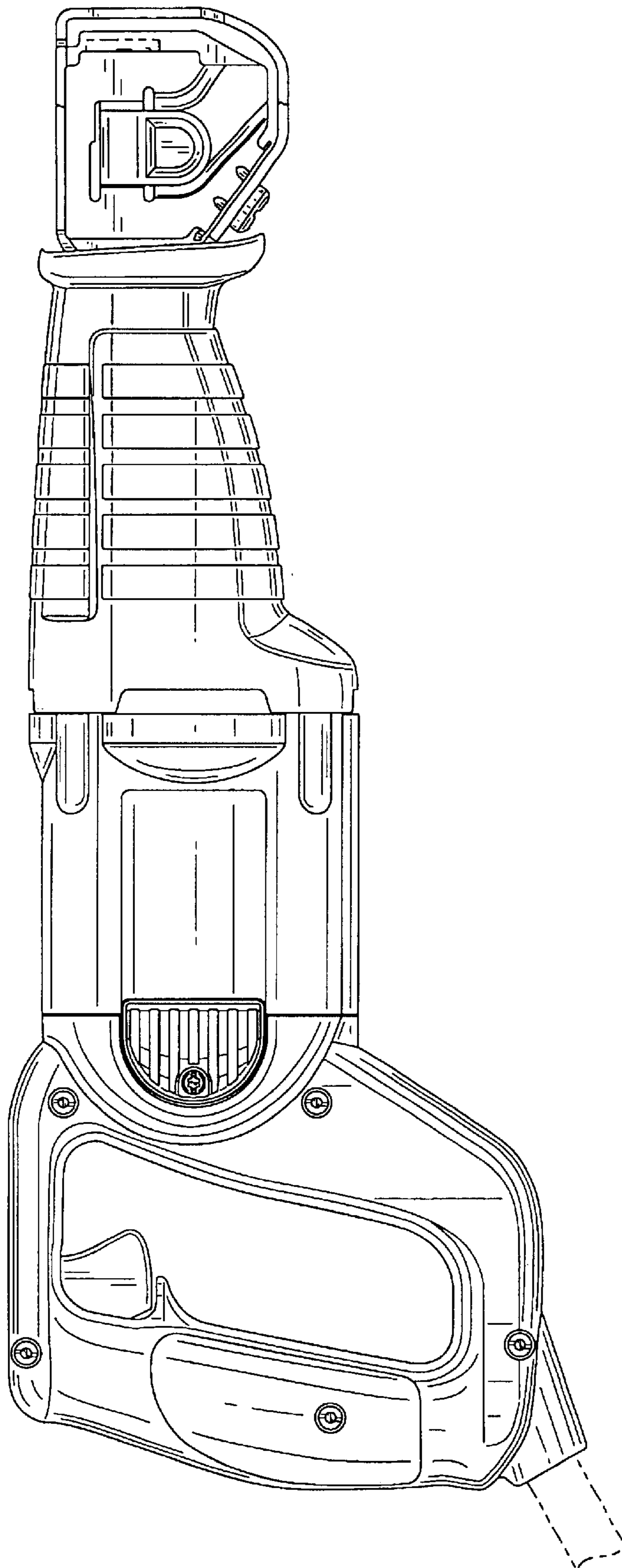


FIG. 4

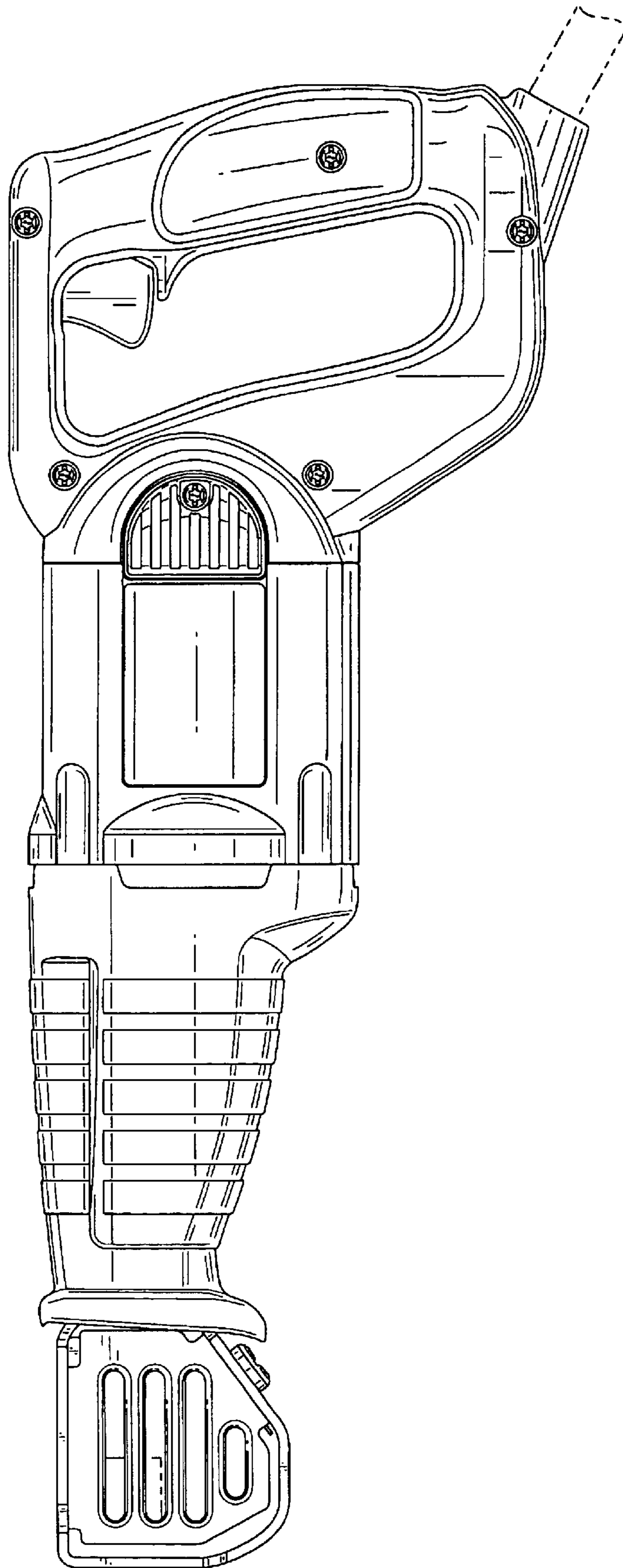


FIG. 5

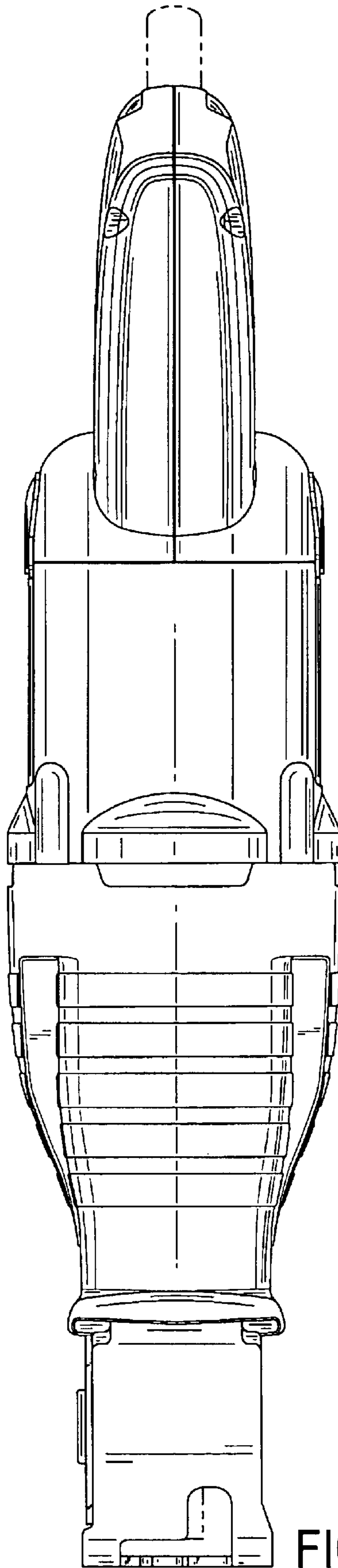


FIG. 6



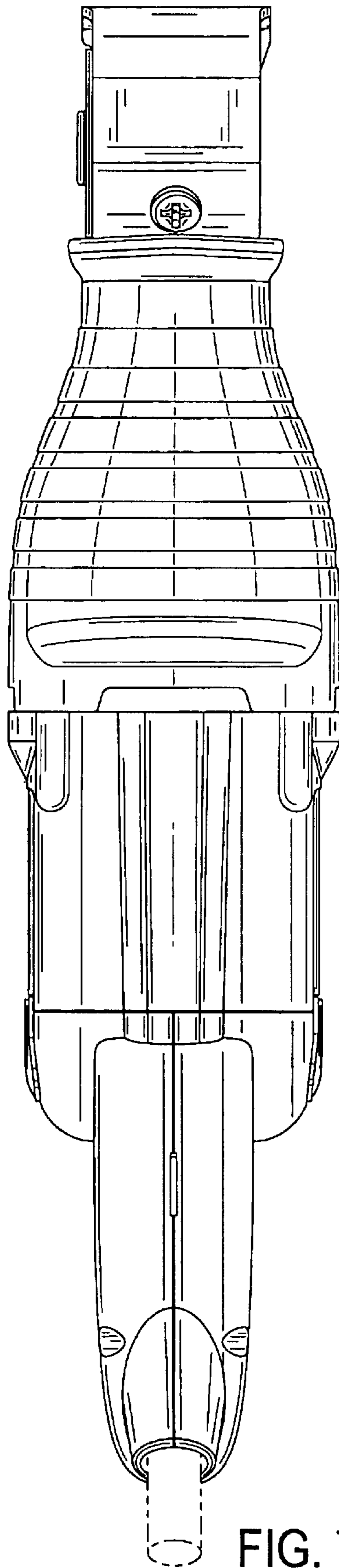


FIG. 7