

US00D523308S

(12) **United States Design Patent**
Corcoran

(10) **Patent No.:** **US D523,308 S**
(45) **Date of Patent:** **** Jun. 20, 2006**

(54) **ANGLE GRINDER**

(75) Inventor: **Michael Corcoran**, Hexam (GB)

(73) Assignee: **Black & Decker Inc.**, Newark, DE (US)

(**) Term: **14 Years**

(21) Appl. No.: **29/222,140**

(22) Filed: **Jan. 26, 2005**

(30) **Foreign Application Priority Data**

Jan. 29, 2004 (EM) 000207063-0001

(51) **LOC (8) Cl.** **08-01**

(52) **U.S. Cl.** **D8/62**

(58) **Field of Classification Search** D8/69,
D8/67, 62, 61; 451/359, 358, 357, 356, 354,
451/353, 351, 344, 294; 173/168

See application file for complete search history.

(56) **References Cited**

U.S. PATENT DOCUMENTS

D107,275 S	*	11/1937	Albertson	D8/62
D255,417 S	*	6/1980	Sakamoto et al.	D8/62
D295,824 S	*	5/1988	Hoshino et al.	D8/62
D396,175 S	*	7/1998	Chung	D8/62
6,132,301 A	*	10/2000	Kaiser	451/450
6,241,594 B1	*	6/2001	Lepold	451/359
D453,288 S	*	2/2002	Lui	D8/62
D475,263 S	*	6/2003	Andriolo	D8/62
D491,033 S	*	6/2004	Bian	D8/62
D494,827 S	*	8/2004	Liu	D8/62
D498,653 S	*	11/2004	Wu	D8/62
6,872,121 B1	*	3/2005	Wiesner et al.	451/5
6,893,334 B1	*	5/2005	Stivers	451/359

FOREIGN PATENT DOCUMENTS

DE	DPMA M9701855.4	8/1997
DE	DPMA M9707886.7	1/1998
DE	DPMA 49902551.2	8/1999
DE	DPMA 49908004.1	1/2000

DE	DPMA 40005179.6	10/2000
DE	DPMA 40203426.0	9/2002
DE	DPMA 40205807.0	11/2002
DE	EN 000041165-0012	3/2004
DE	000123260-0003	3/2004
DE	000123260-0004	3/2004
DE	00119011-0001	4/2004
DE	EN 000151725-0005	6/2004
FR	0399945-949	6/1995
FR	470 717-719	6/1997
FR	567 032-033	1/2000
FR	576 255-261	3/2000
FR	636 455-462	9/2001
FR	702 765-771	5/2003
WO	DM 043 016	2/1998
WO	DM 046 052	11/1998
WO	DM 047 995	2/1999
WO	DM 047995	2/1999
WO	DM 049836	11/1999
WO	DM 052 637	4/2000
WO	DM 062266	9/2002
WO	DM 062 266	9/2002
WO	DM 063 836	12/2002

* cited by examiner

Primary Examiner—Cathron C. Brooks

Assistant Examiner—Austin Murphy

(74) *Attorney, Agent, or Firm*—Bruce S. Shapiro; John Yun; Wesley W. Muller

(57) **CLAIM**

The ornamental design for an angle grinder, as shown and described.

DESCRIPTION

FIG. 1 is a left/front perspective view of an angle grinder showing my new design.

FIG. 2 is a front view thereof.

FIG. 3 is a rear view thereof.

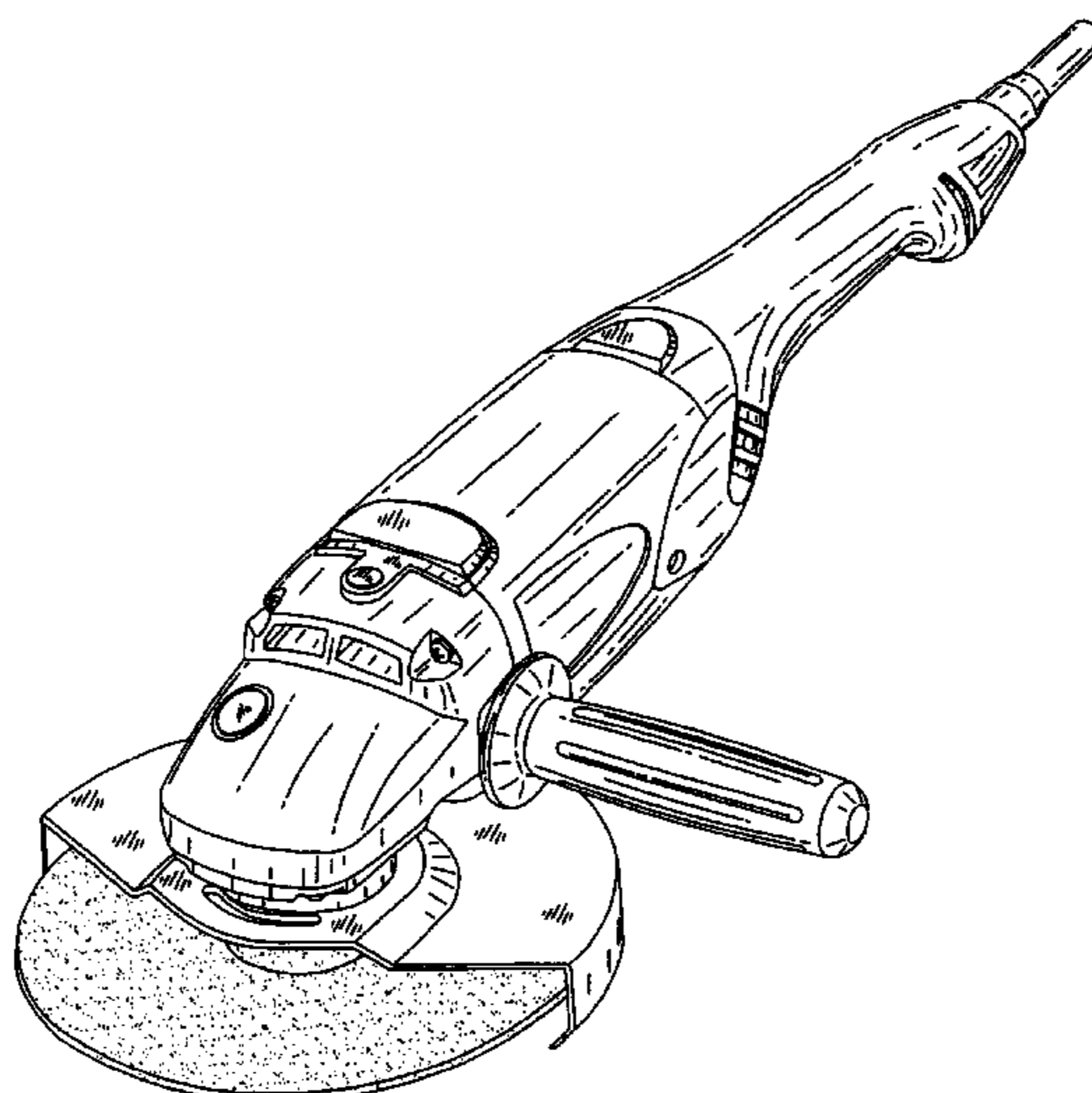
FIG. 4 is a left side view thereof.

FIG. 5 is a right side view thereof.

FIG. 6 is a top plan view thereof; and,

FIG. 7 is a bottom plan view thereof.

1 Claim, 6 Drawing Sheets



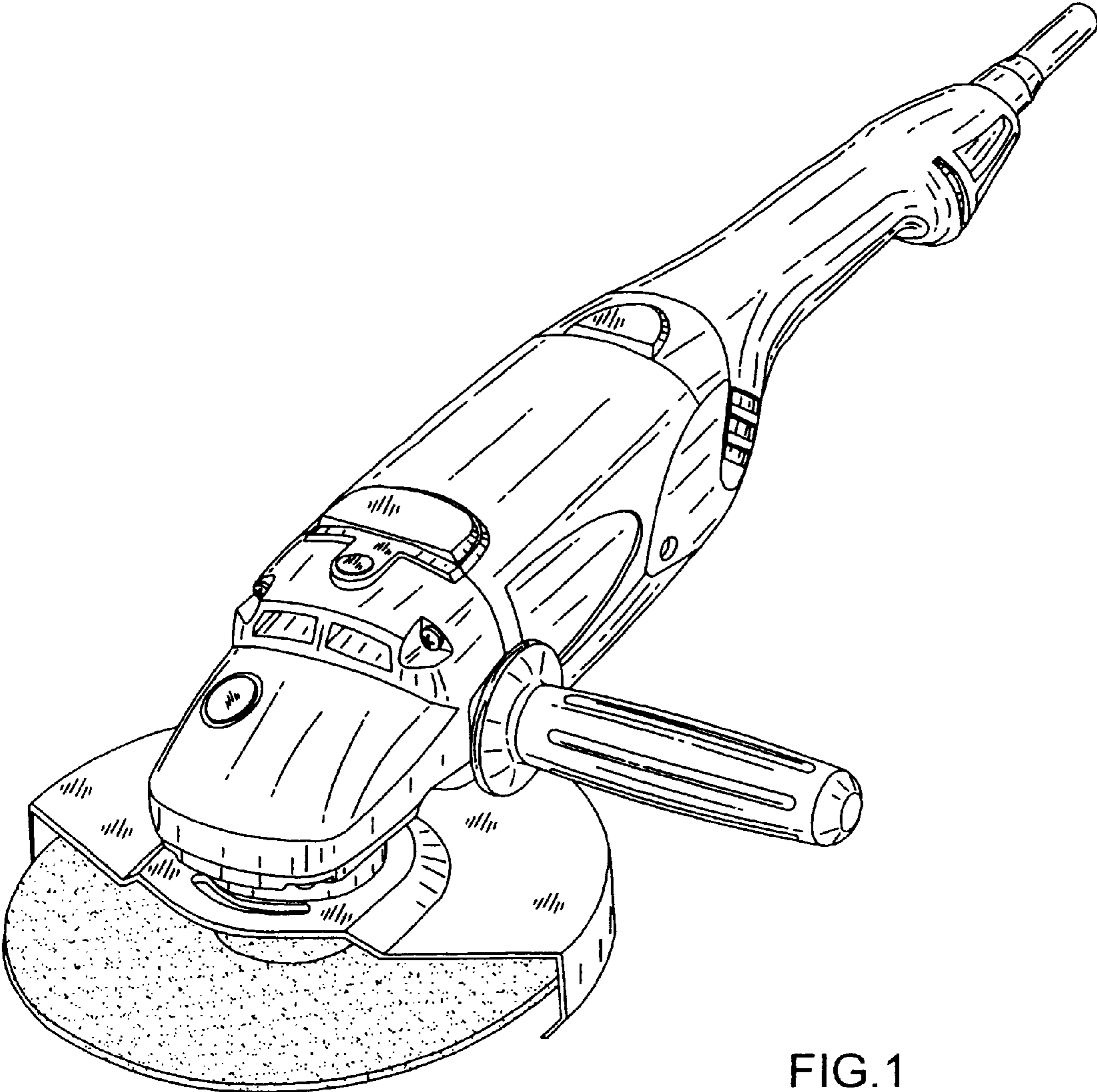


FIG.1

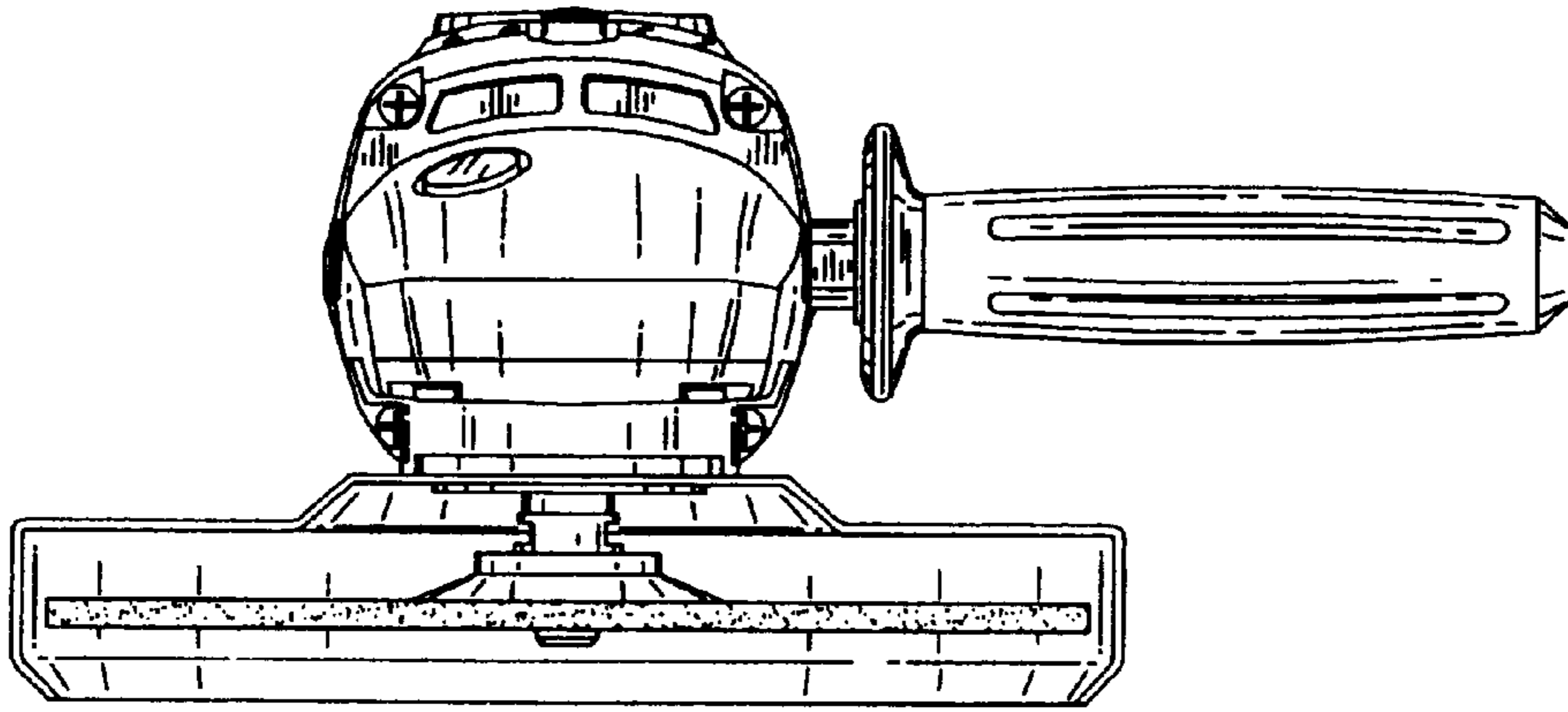


FIG. 2

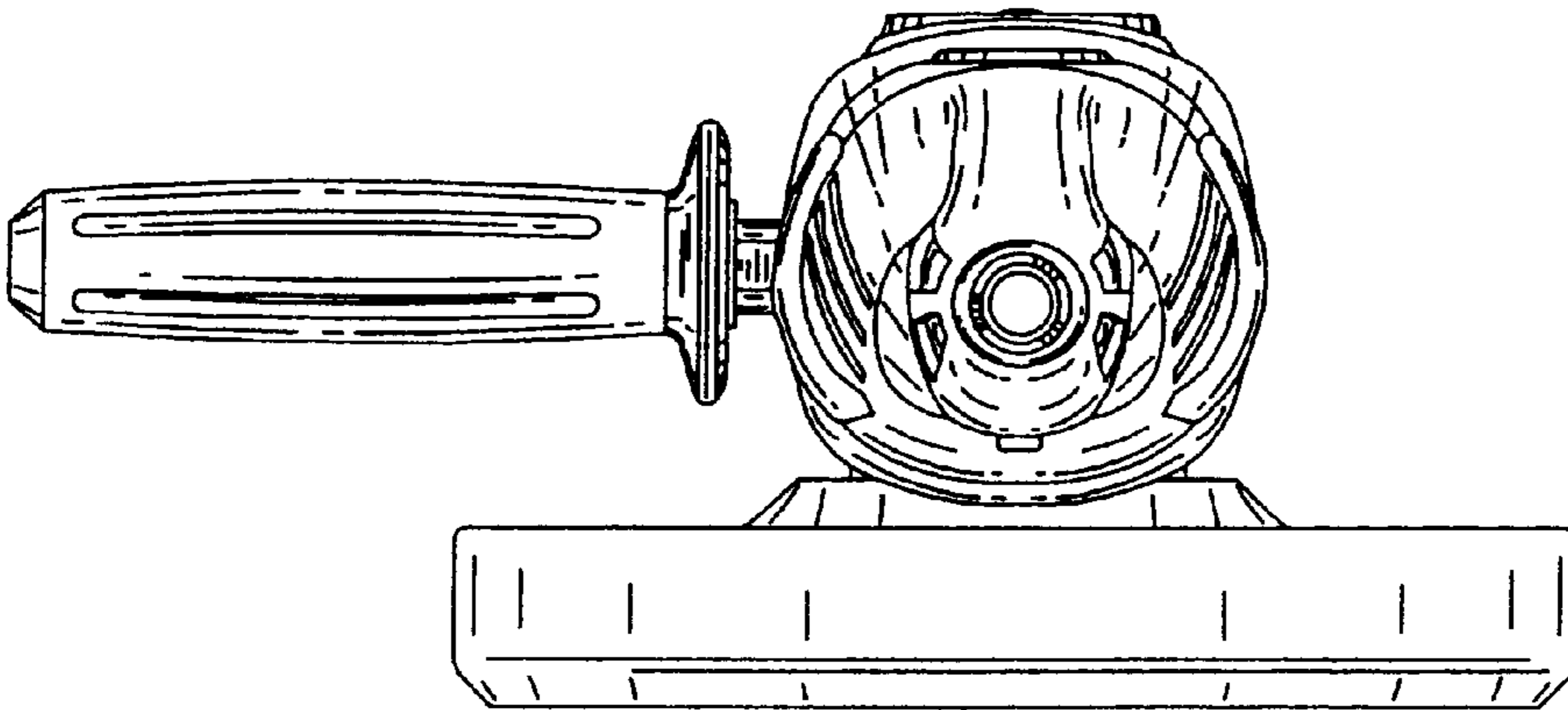


FIG. 3

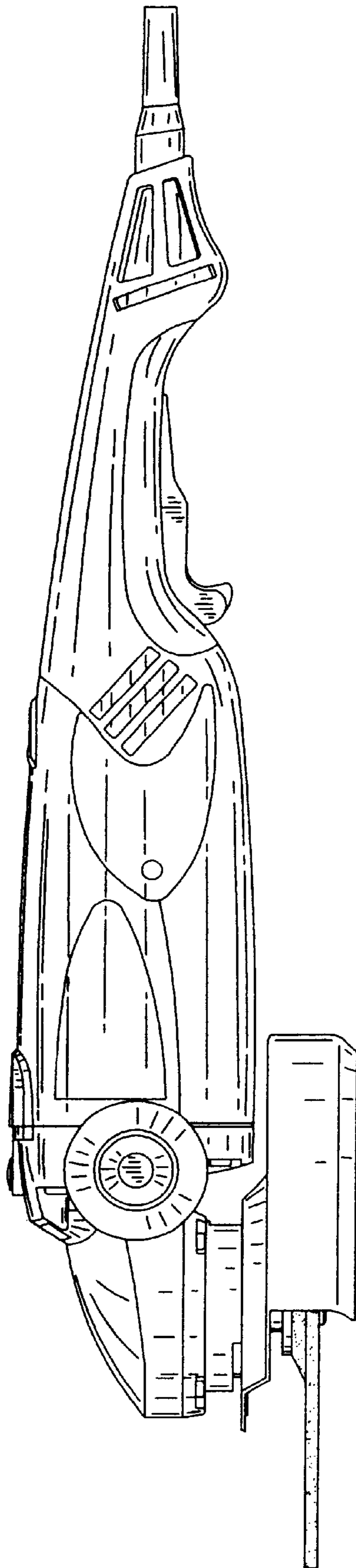


FIG.4

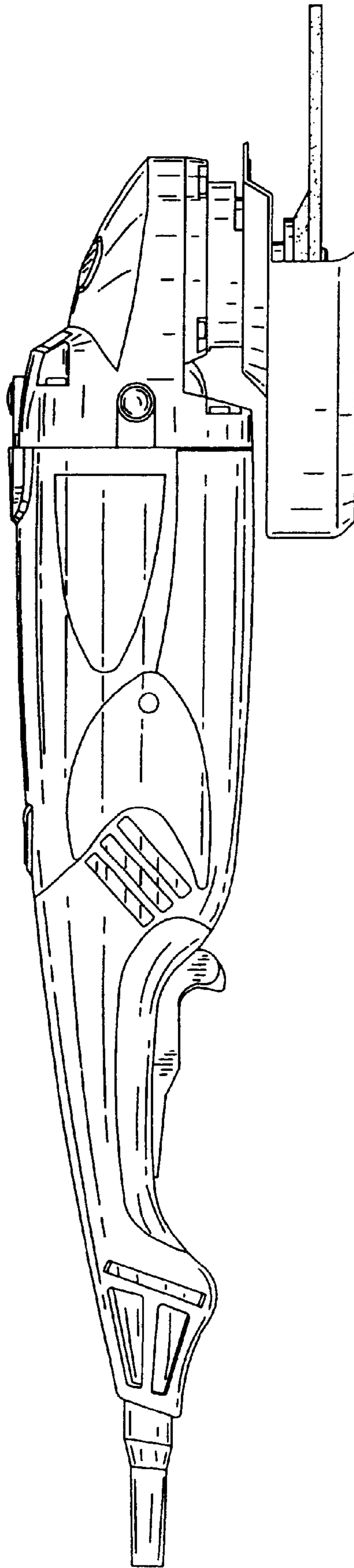


FIG.5

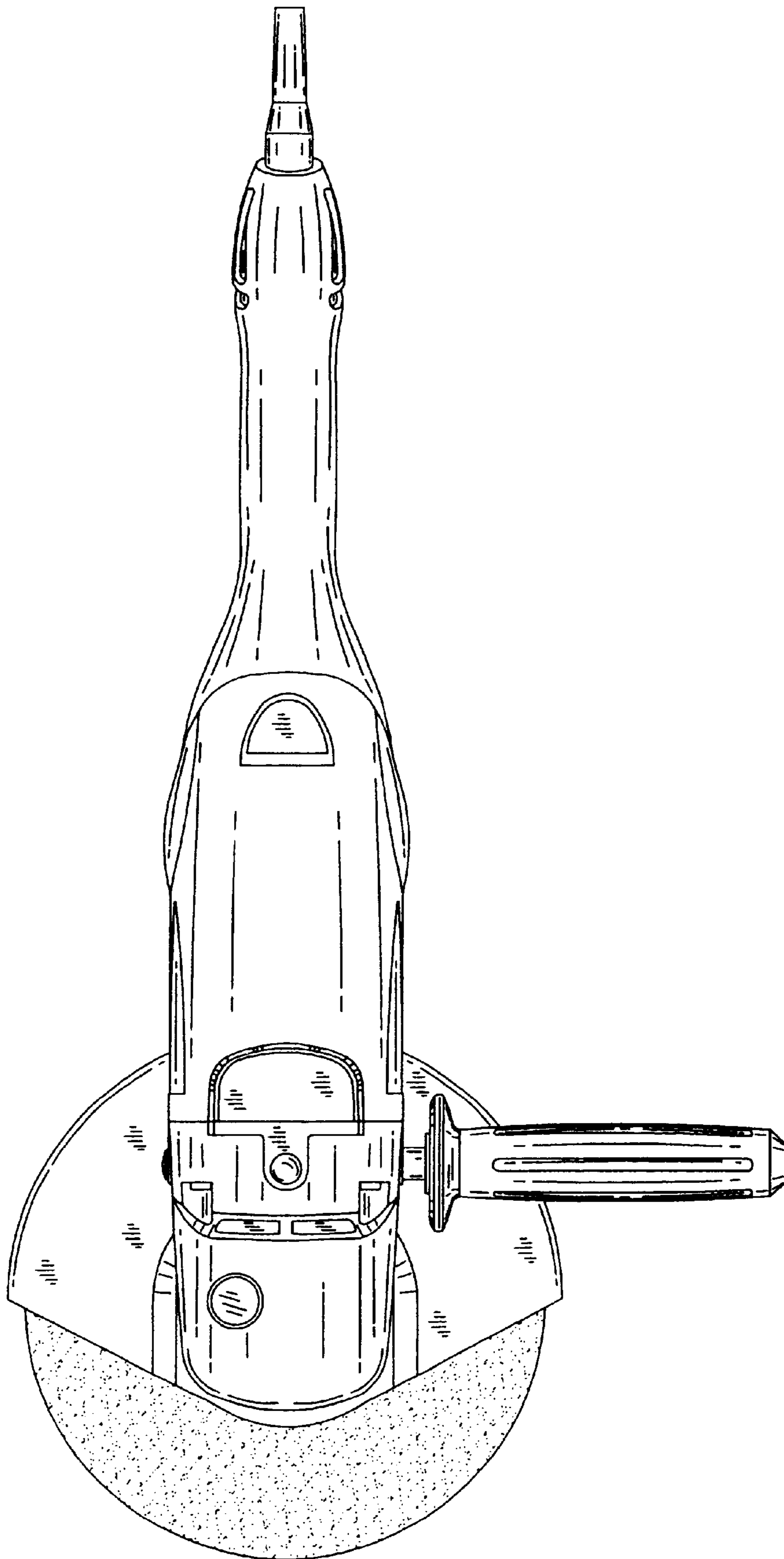


FIG.6

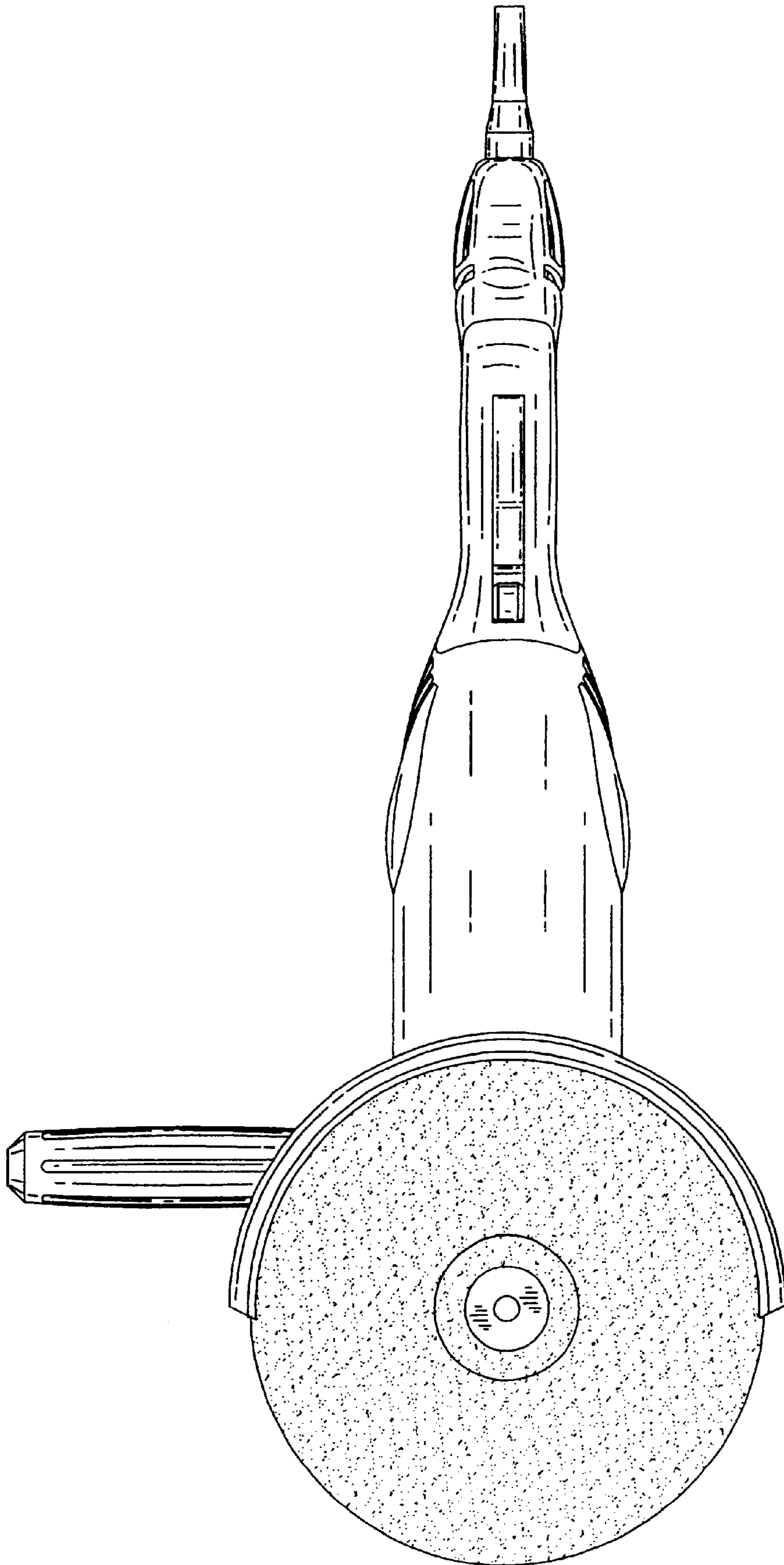


FIG.7