



US00D523306S

(12) **United States Design Patent**  
**Thornton**

(10) **Patent No.:** **US D523,306 S**

(45) **Date of Patent:** **\*\* Jun. 20, 2006**

(54) **CAN OPENER**

(75) Inventor: **Andrew John Thornton**, Godalming  
(GB)

(73) Assignee: **William Levene Limited**, Hampshire  
(GB)

(\*\*) Term: **14 Years**

(21) Appl. No.: **29/229,149**

(22) Filed: **May 3, 2005**

(30) **Foreign Application Priority Data**

Nov. 3, 2004 (EM) ..... 000252697

(51) **LOC (8) Cl.** ..... **07-99**

(52) **U.S. Cl.** ..... **D8/41**

(58) **Field of Classification Search** ..... D8/18,  
D8/33-43, 98, 105; D7/372-374, 381, 386,  
D7/669, 693; 7/151-156; 30/400-450; 81/3.07,  
81/3.08, 3.2, 3.35, 3.4, 3.47

See application file for complete search history.

(56) **References Cited**

**U.S. PATENT DOCUMENTS**

D406,222 S \* 3/1999 Wong ..... D8/40

D441,626 S	*	5/2001	Greiner	.....	D8/41
6,397,704 B1	*	6/2002	Olaneta	.....	81/3.47
D466,771 S	*	12/2002	Chang	.....	D8/41
6,829,832 B1	*	12/2004	Chang	.....	30/417
D500,647 S	*	1/2005	So	.....	D8/34
D503,598 S	*	4/2005	So	.....	D8/39
D510,690 S	*	10/2005	Greiner	.....	D8/40
2001/0022030 A1	*	9/2001	Herren	.....	30/400

\* cited by examiner

*Primary Examiner*—Caron D. Veynar

*Assistant Examiner*—Garth Rademaker

(74) *Attorney, Agent, or Firm*—Reed Smith LLP

(57) **CLAIM**

The ornamental design for a can opener, as shown.

**DESCRIPTION**

FIG. 1 is a front elevation view of the can opener.

FIG. 2 is a left side elevation view thereof.

FIG. 3 is rear elevation view thereof.

FIG. 4 is a right side elevation view thereof.

FIG. 5 is a top plan view thereof; and,

FIG. 6 is a bottom plan view thereof.

**1 Claim, 6 Drawing Sheets**

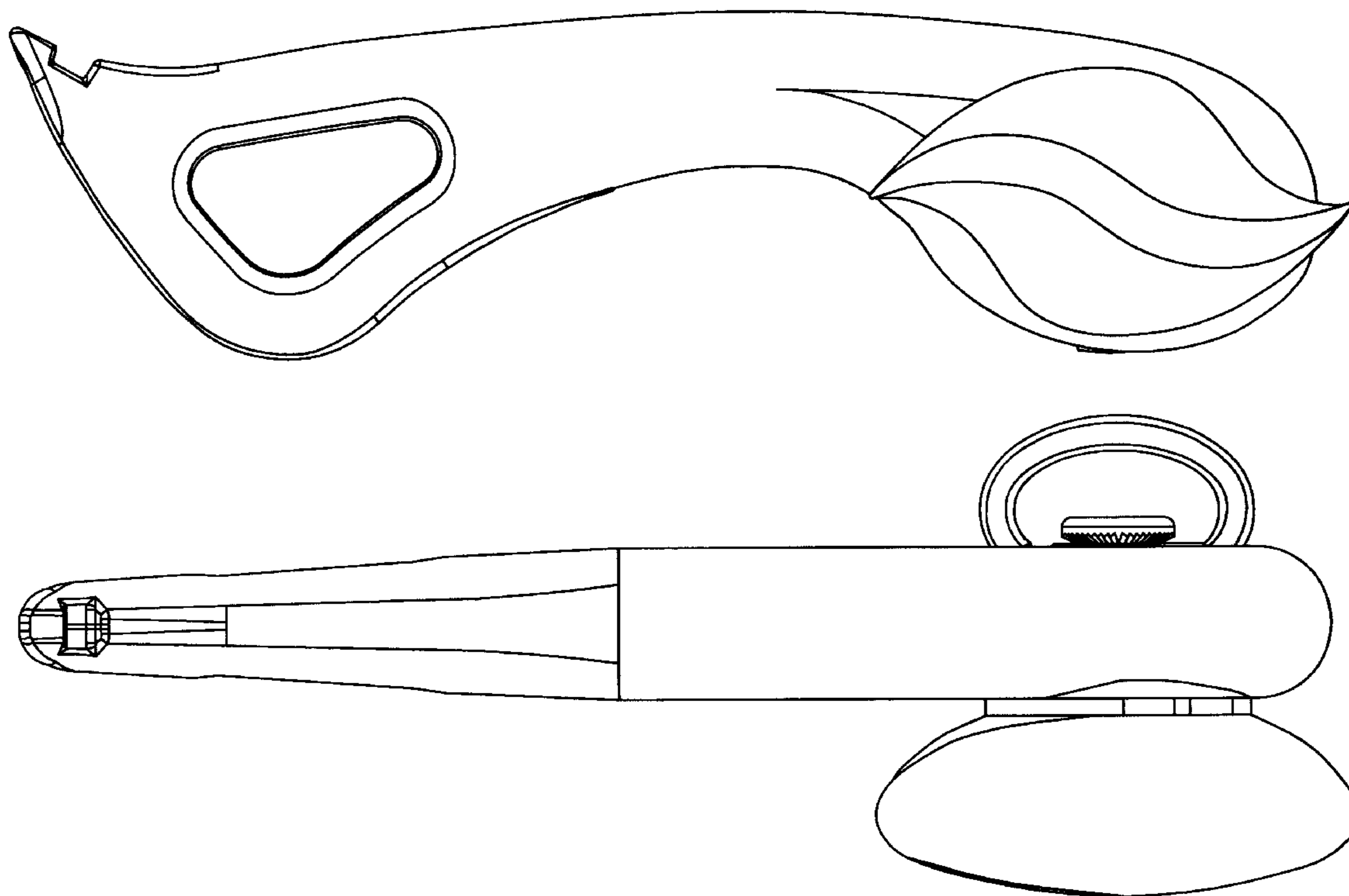




FIG. 1

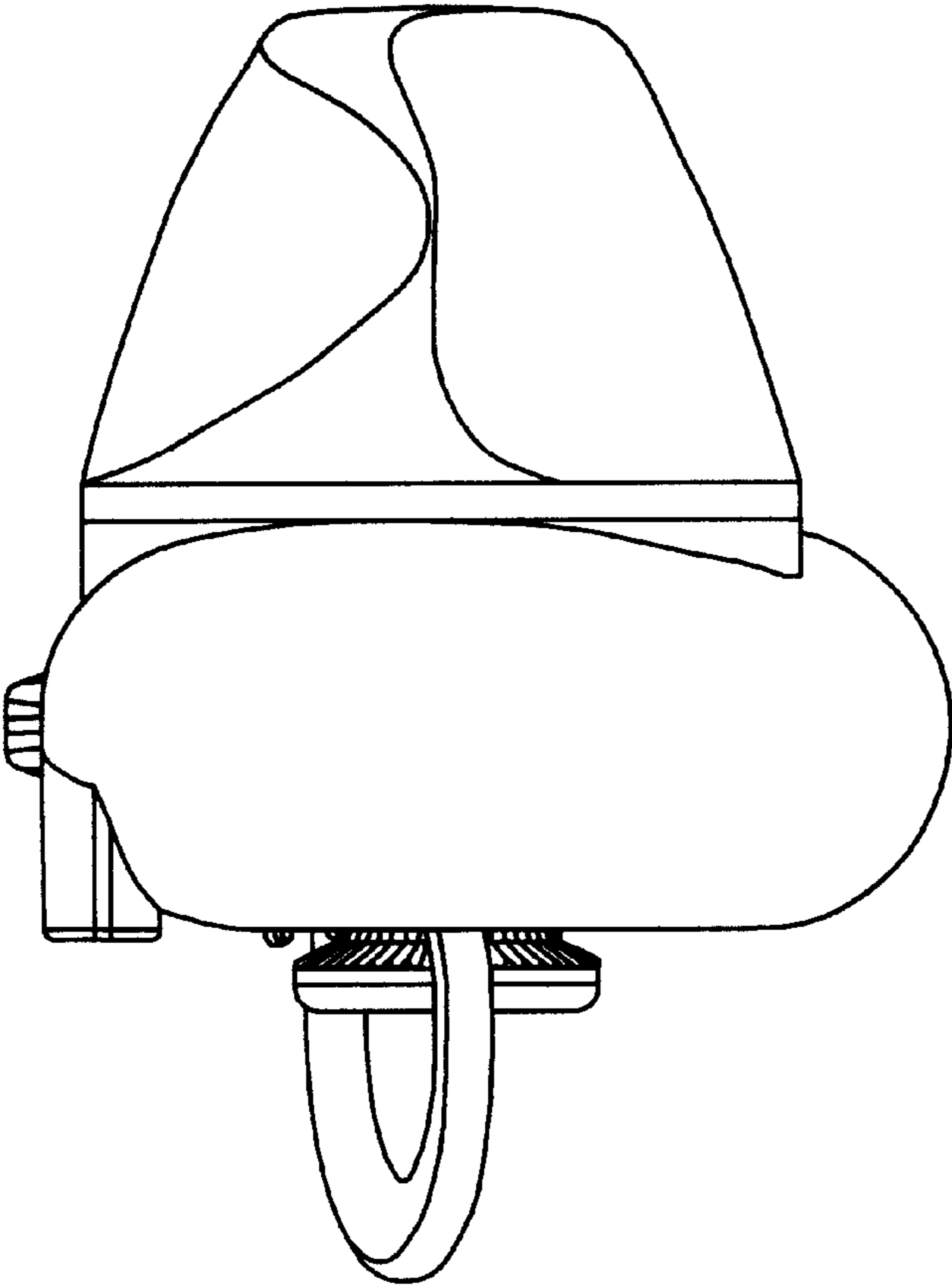


FIG. 2

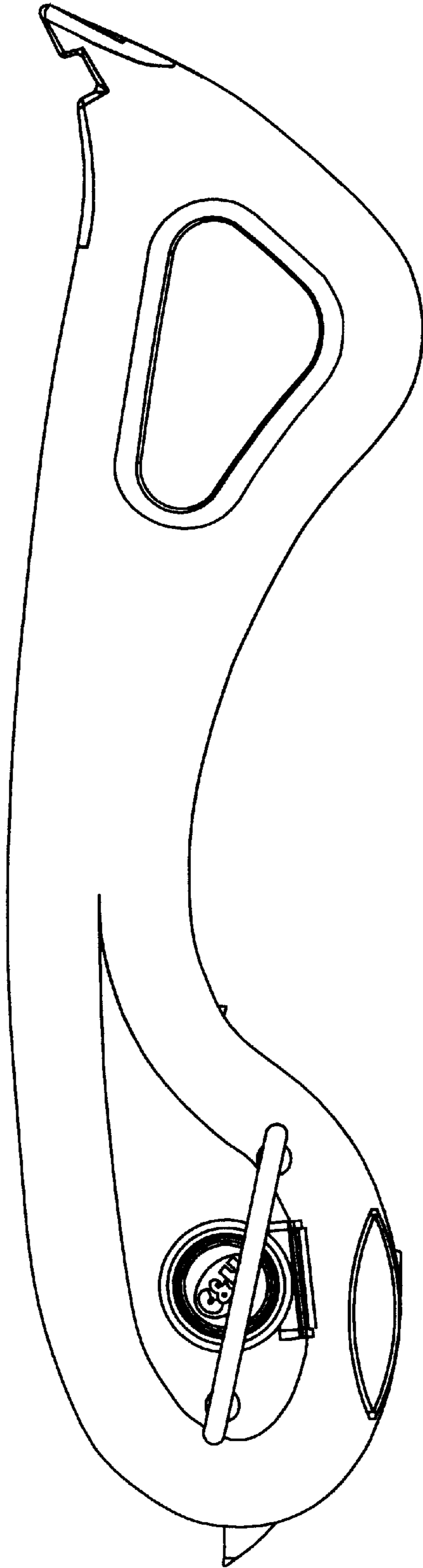


FIG. 3

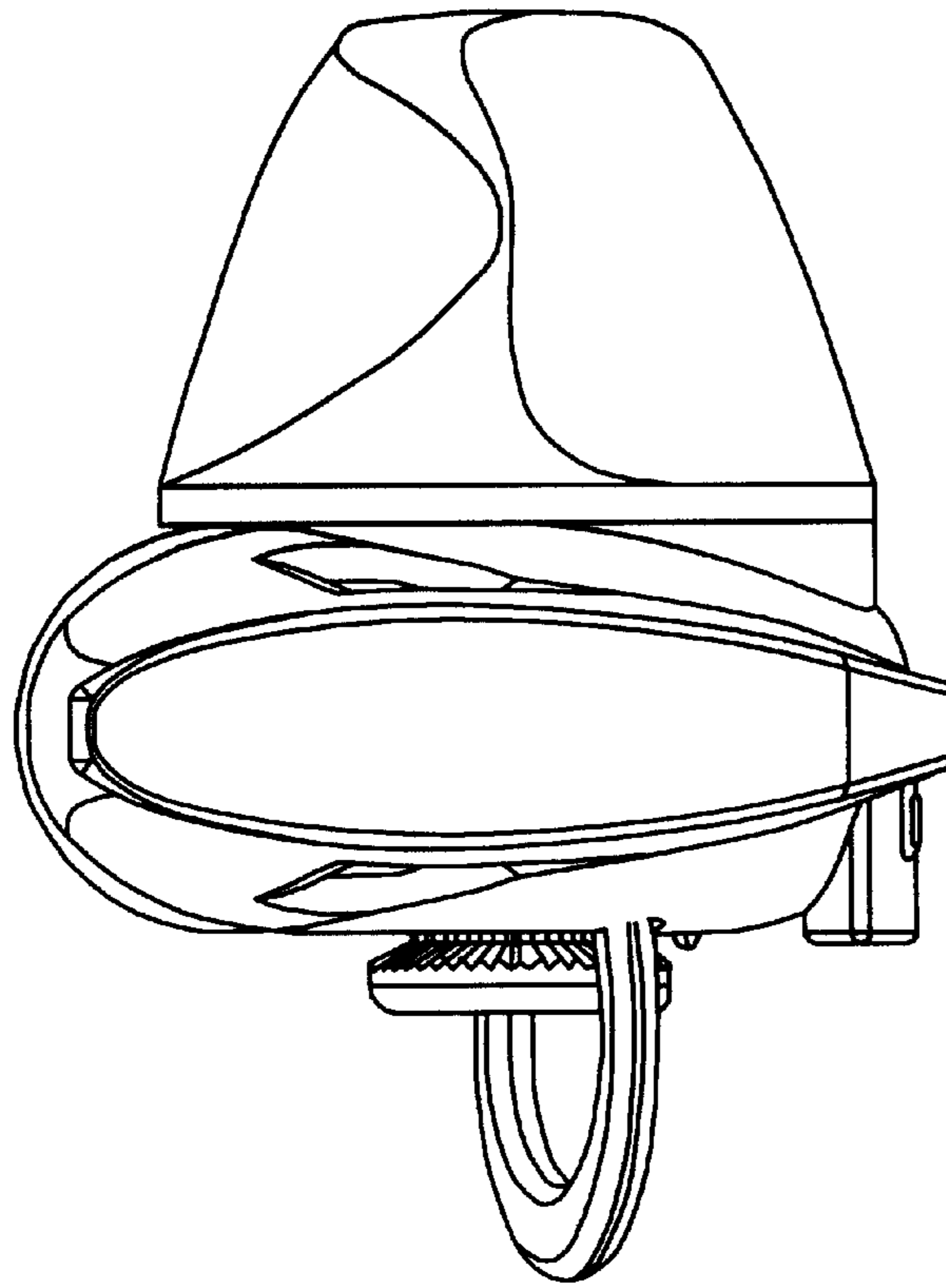


FIG. 4

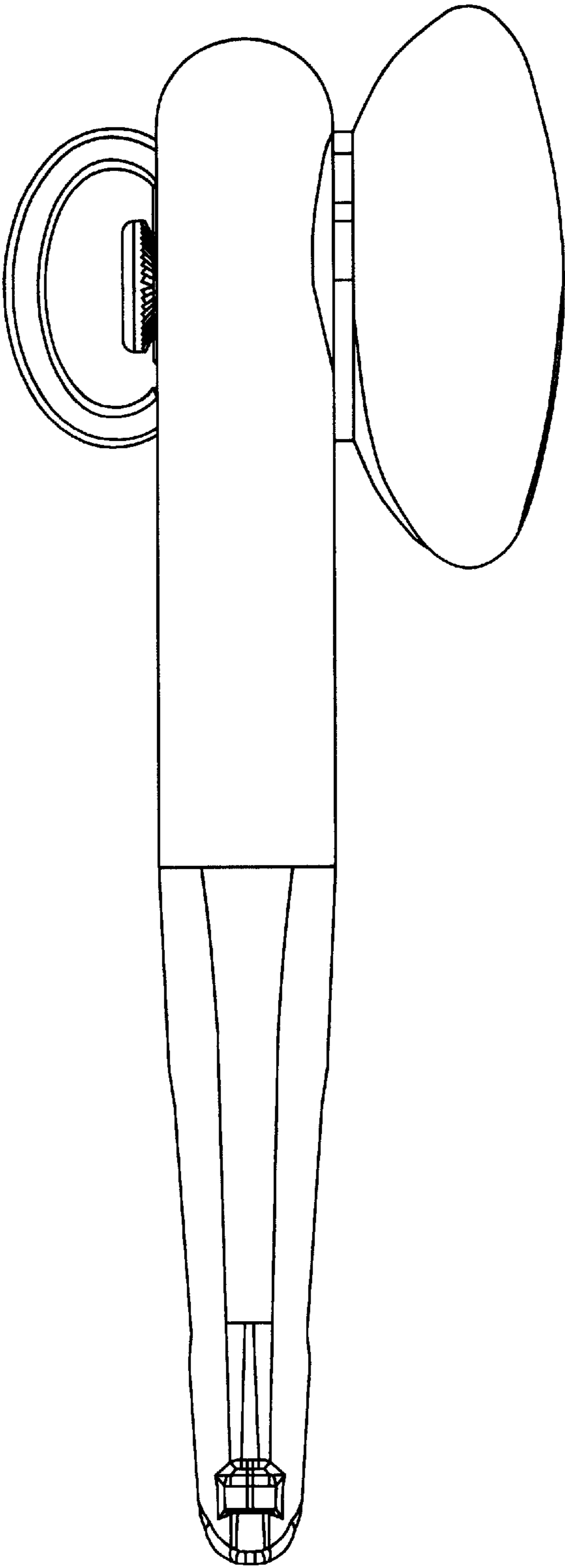


FIG. 5

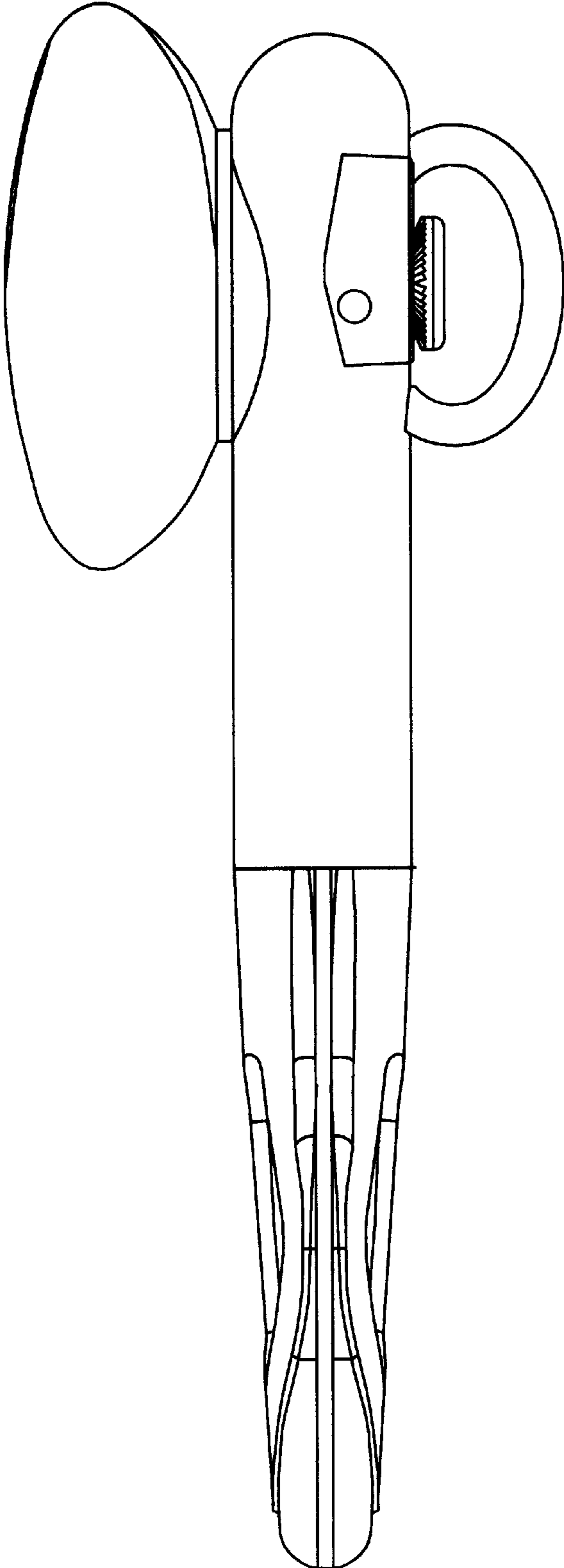


FIG. 6