



US00D523303S

(12) **United States Design Patent**
Amin

(10) **Patent No.:** **US D523,303 S**
(45) **Date of Patent:** **** Jun. 20, 2006**

(54) **GREASE GUN**

(76) **Inventor:** **Harish A. Amin**, 844 Port Patrick Pl.,
Fort Mill, SC (US) 29715

(**) **Term:** **14 Years**

(21) **Appl. No.:** **29/229,757**

(22) **Filed:** **May 11, 2005**

(51) **LOC (8) Cl.** **08-05**

(52) **U.S. Cl.** **D8/14.1**

(58) **Field of Classification Search** D8/14.1,
D8/29.1; 222/262; D15/150
See application file for complete search history.

(56) **References Cited**

U.S. PATENT DOCUMENTS

- D409,059 S * 5/1999 Wilson et al. D8/14.1
- D427,864 S * 7/2000 Kowalchik et al. D8/14.1
- D490,671 S * 6/2004 Hung D8/14.1

* cited by examiner

Primary Examiner—Holly H. Baynham

(74) *Attorney, Agent, or Firm*—Moore & Van Allen PLLC;
Michael G. Johnston

(57) **CLAIM**

The ornamental design for a grease gun, as shown and described.

DESCRIPTION

FIG. 1 is a perspective view of a grease gun showing my new design.

FIG. 2 is a left side elevation view of the grease gun shown in FIG. 1 showing my new design.

FIG. 3 is a right side elevation view of the grease gun shown in FIG. 1 showing my new design.

FIG. 4 is a top plan view of the grease gun shown in FIG. 1 showing my new design.

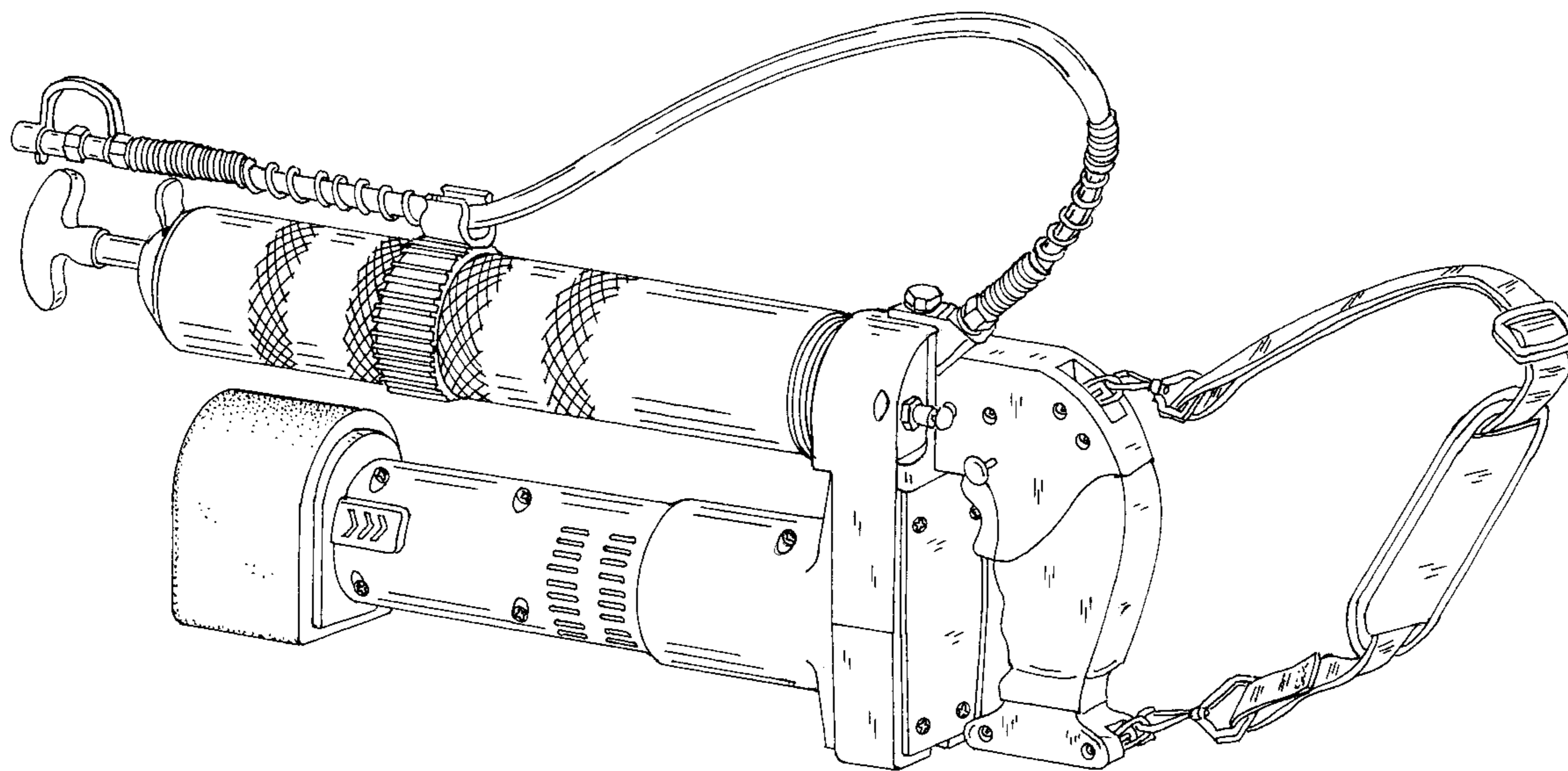
FIG. 5 is a bottom plan view of the grease gun shown in FIG. 1 showing my new design.

FIG. 6 is a front elevation view of the grease gun shown in FIG. 1 showing my new design.

FIG. 7 is a rear elevation view of the grease gun shown in FIG. 1 showing my new design; and,

FIG. 8 is a rear elevation view of the grease gun shown in FIG. 1 showing my new design with the carrying strap removed.

1 Claim, 5 Drawing Sheets



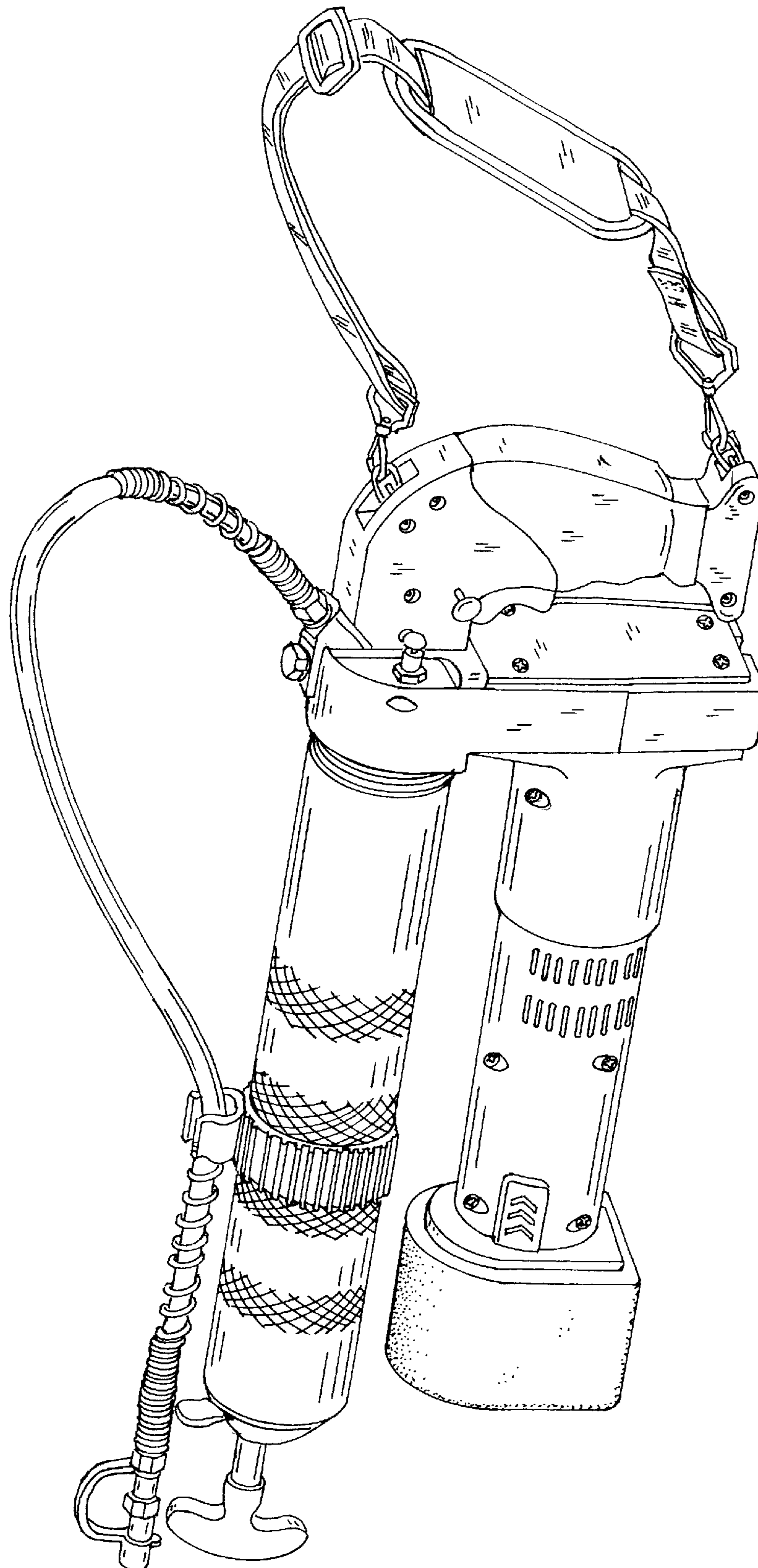


FIG. 1

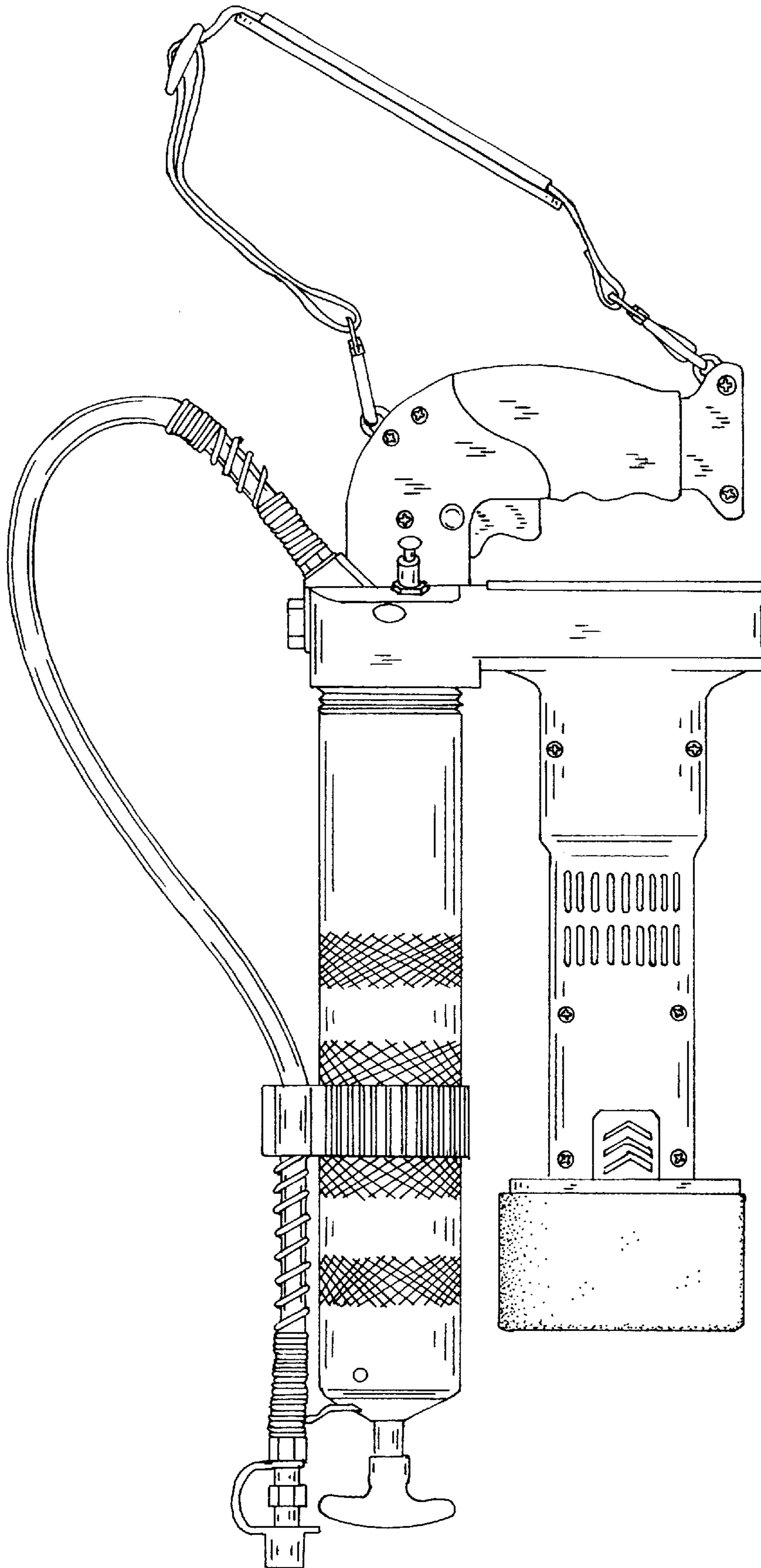


FIG. 2

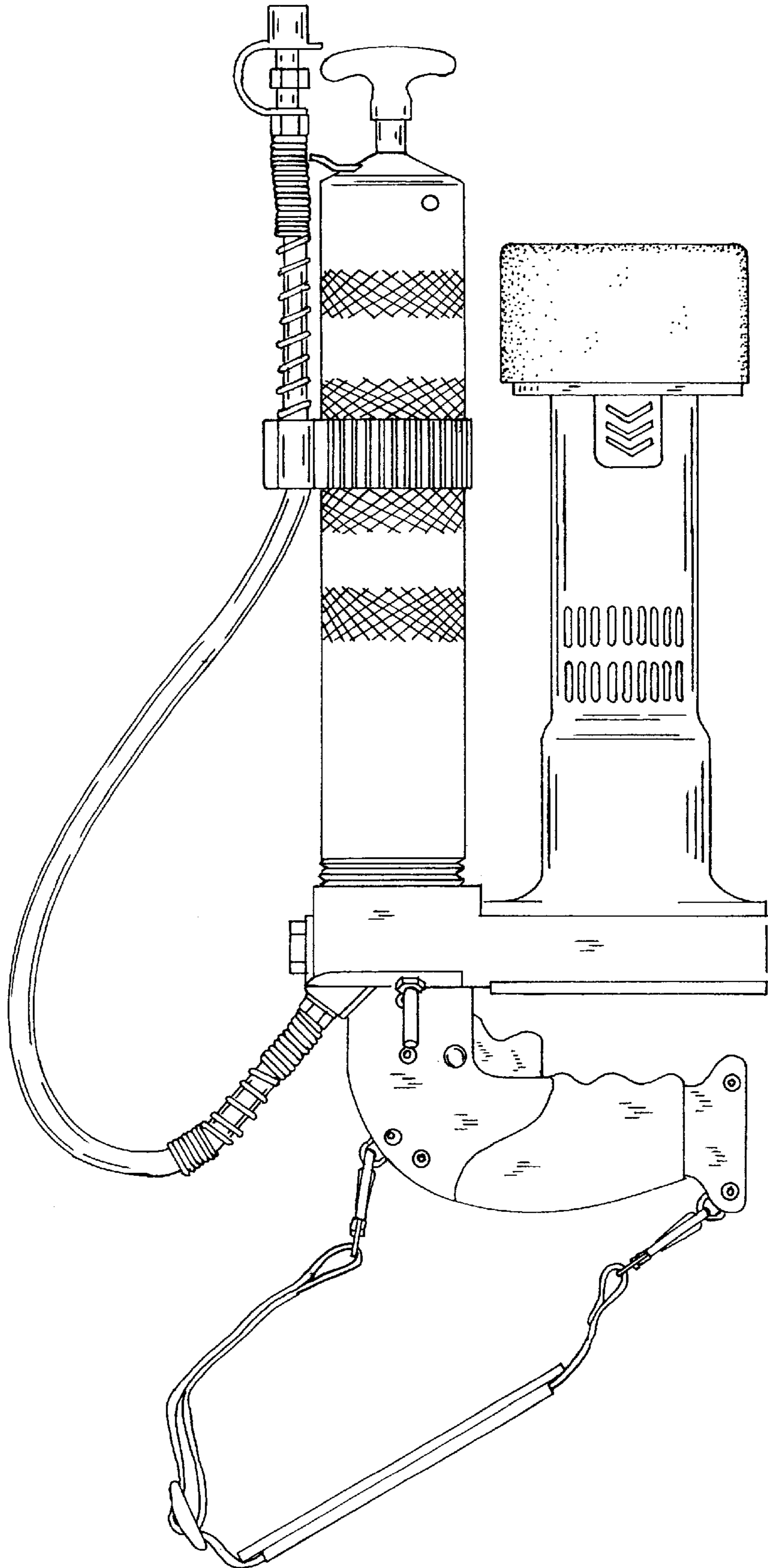


FIG. 3

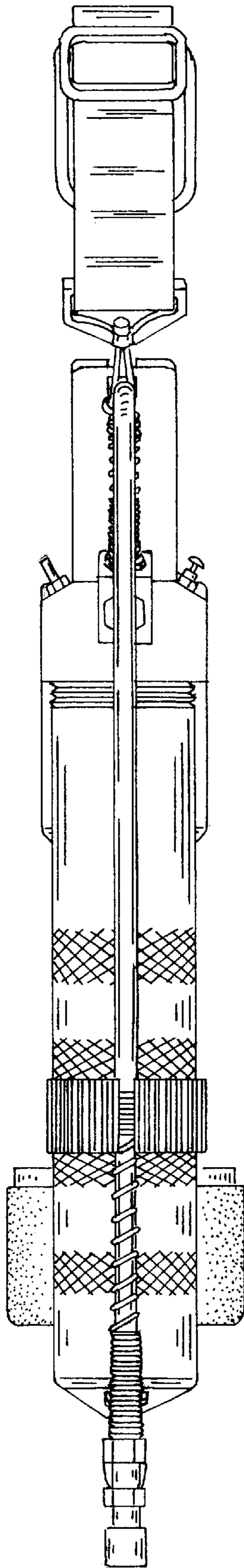


FIG. 4

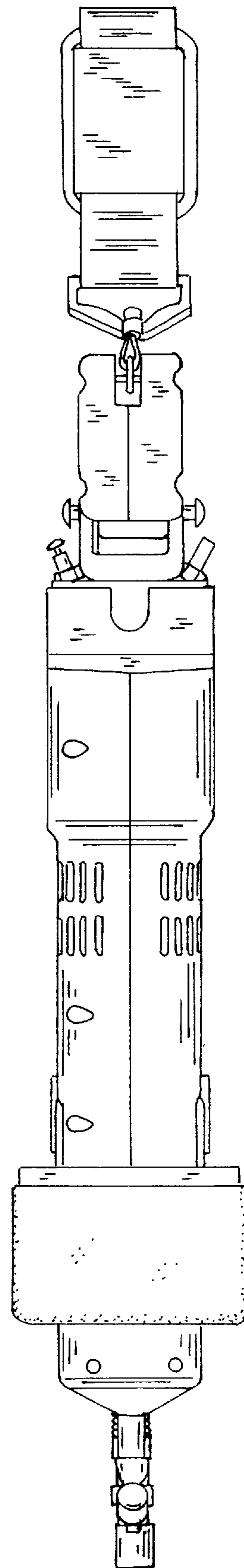


FIG. 5

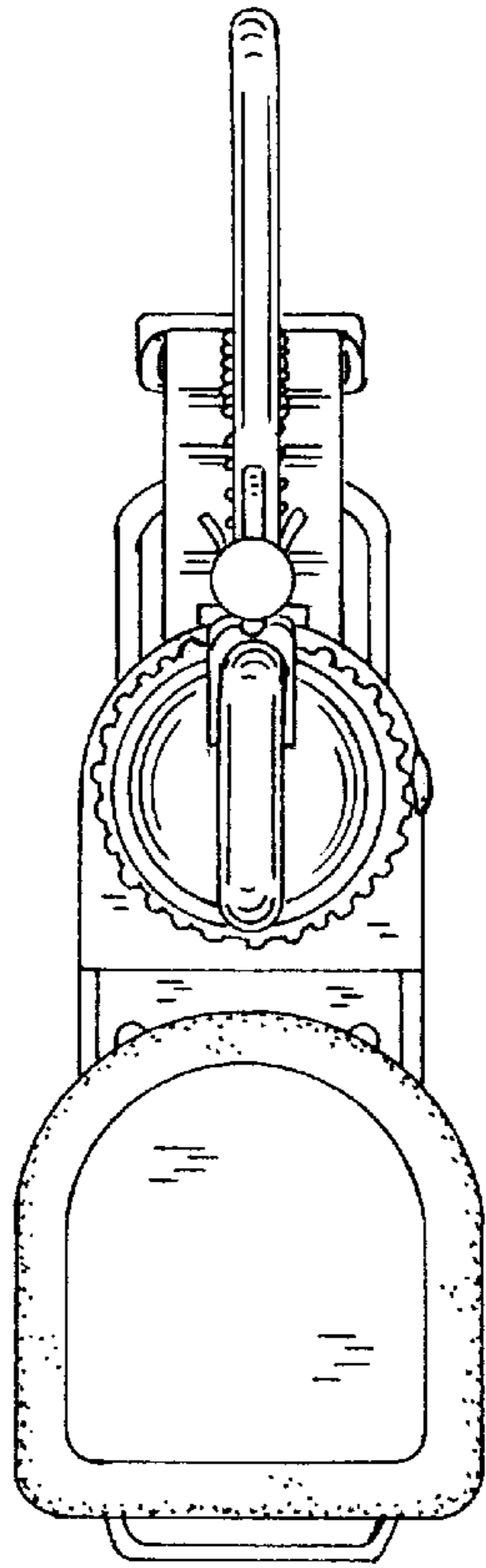


FIG. 6

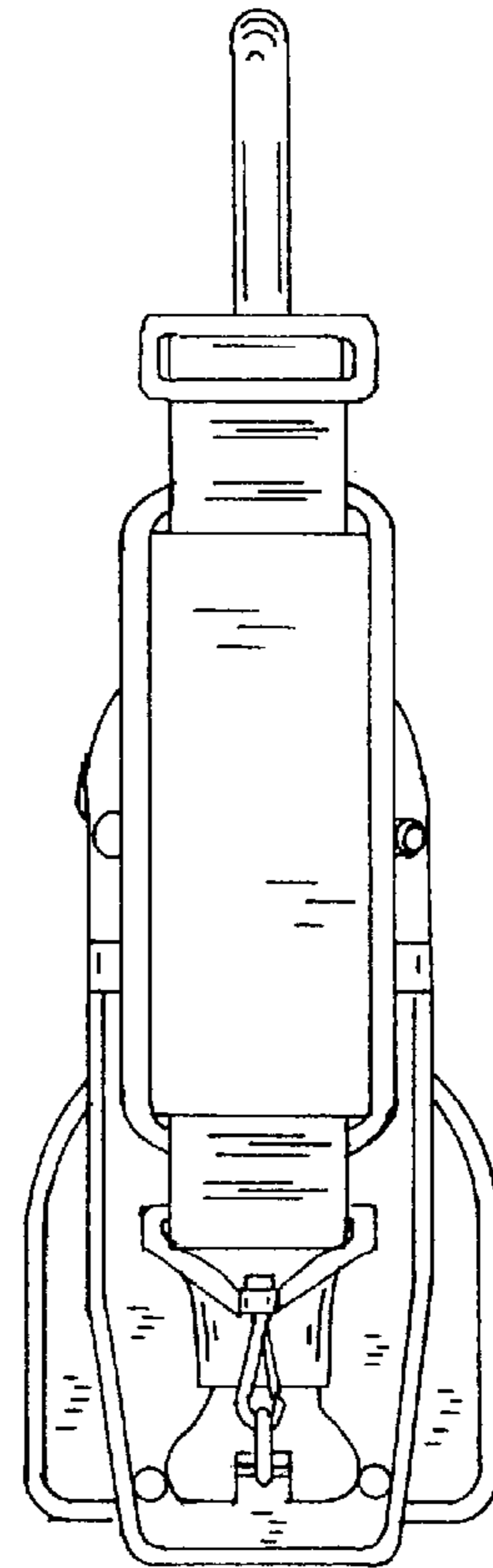


FIG. 7

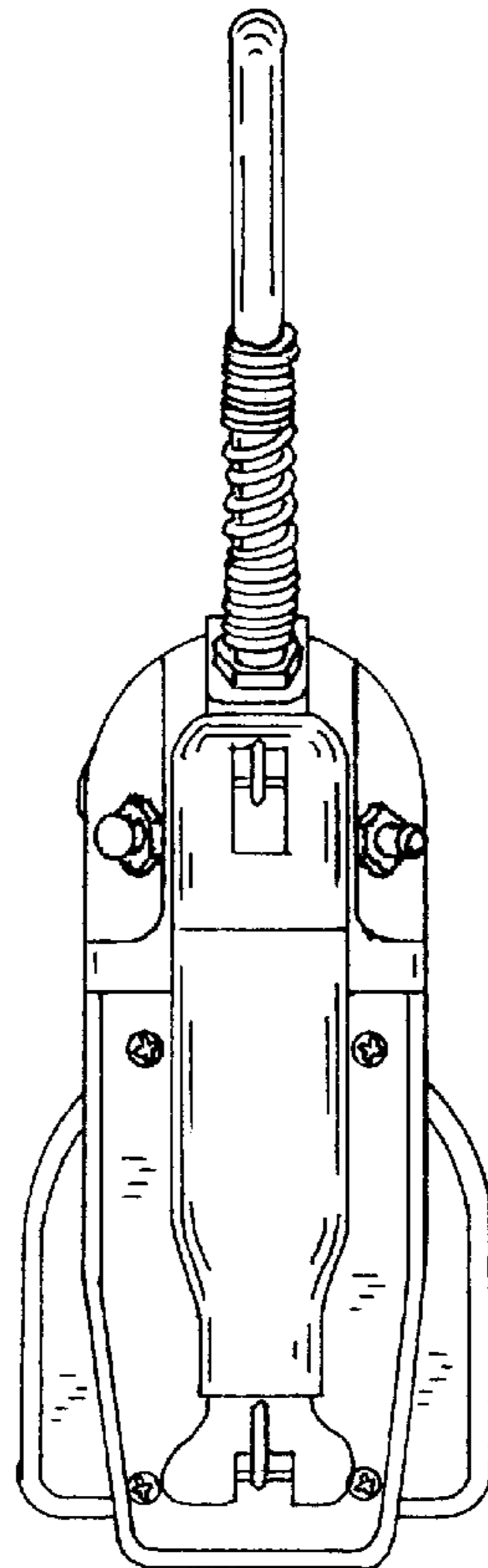


FIG. 8