



US00D523296S

(12) **United States Design Patent**
Kim

(10) **Patent No.:** **US D523,296 S**
(45) **Date of Patent:** **** Jun. 20, 2006**

(54) **AIRTIGHT CONTAINER FOR STORING FOODS**

D422,457 S * 4/2000 Daenen et al. D7/615
D488,031 S * 4/2004 Kim D7/629

(75) Inventor: **Chang-Ho Kim**, Incheon (KR)

* cited by examiner

(73) Assignee: **Hana Cobi Co., Ltd.**, Seoul (KR)

Primary Examiner—Terry A. Wallace
(74) *Attorney, Agent, or Firm*—Birch, Stewart, Kolasch & Birch, LLP

(**) Term: **14 Years**

(21) Appl. No.: **29/215,974**

(57) **CLAIM**

(22) Filed: **Oct. 28, 2004**

The ornamental design for an airtight container for storing foods, as shown and described.

(30) **Foreign Application Priority Data**

Apr. 30, 2004 (KR) 30-2004-0012437

DESCRIPTION

(51) **LOC (8) Cl.** **07-07**

(52) **U.S. Cl.** **D7/629**

(58) **Field of Classification Search** D7/602,
D7/612–615, 629, 630, 538–548; D9/424–432;
220/780–806, 675

FIG. 1 is a perspective view of the airtight container for storing foods showing my new design;
FIG. 2 is a front side view thereof;
FIG. 3 is a rear view thereof;
FIG. 4 is a left side view thereof;
FIG. 5 is a right side view thereof;
FIG. 6 is a top view thereof; and,
FIG. 7 is a bottom plan view thereof.

See application file for complete search history.

(56) **References Cited**

U.S. PATENT DOCUMENTS

5,356,026 A * 10/1994 Andress et al. 220/792

1 Claim, 4 Drawing Sheets

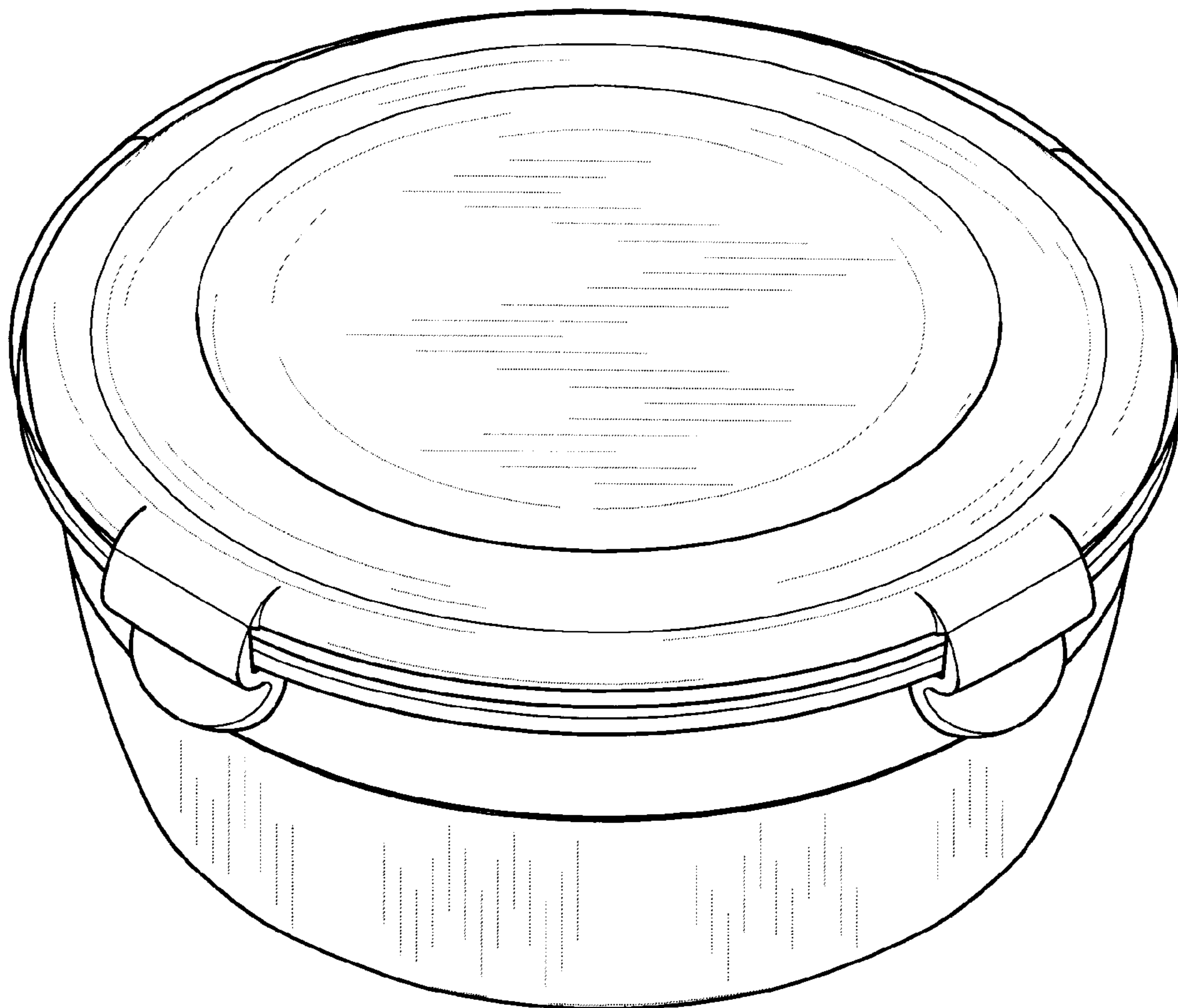


Fig. 1

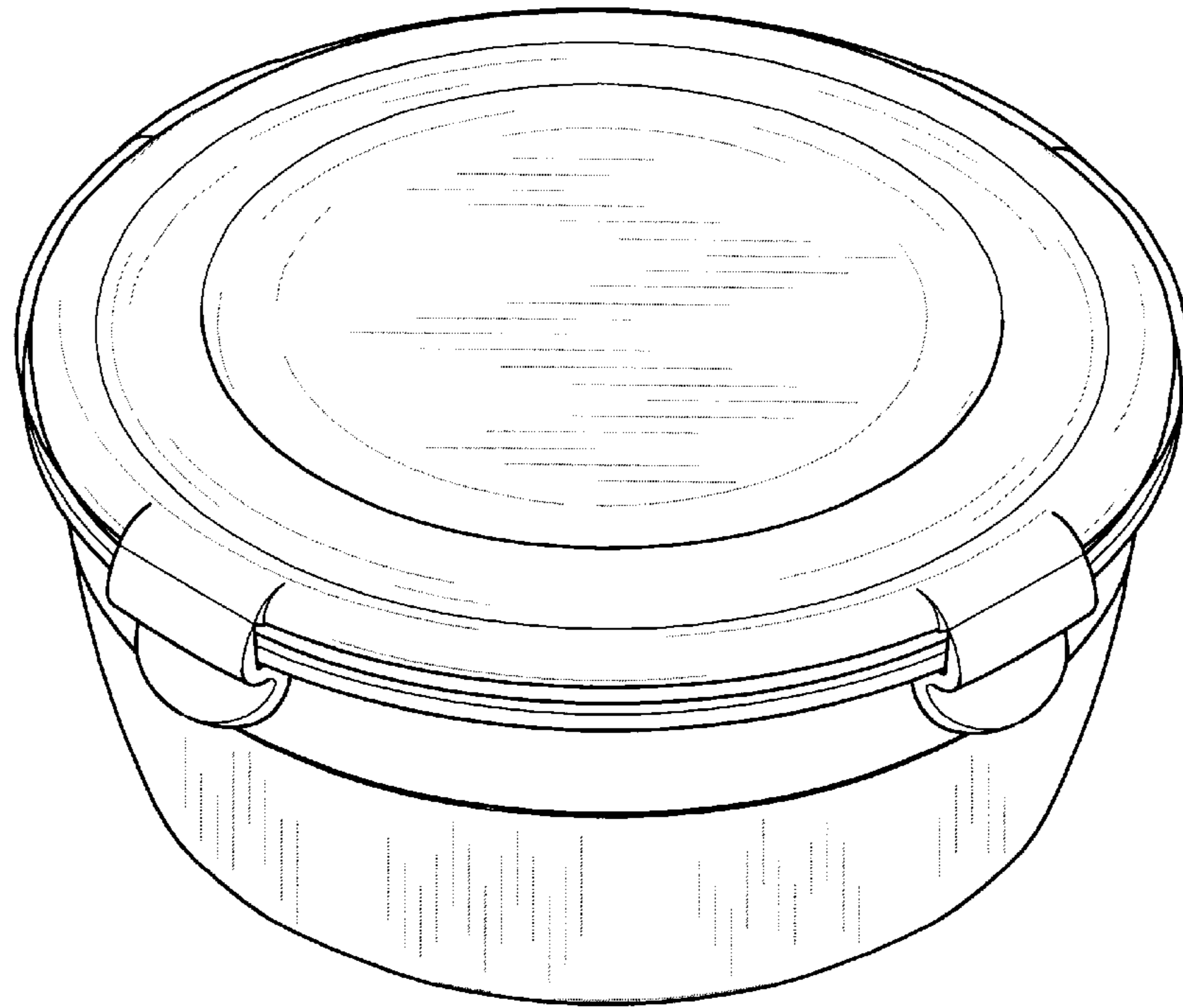


Fig. 2

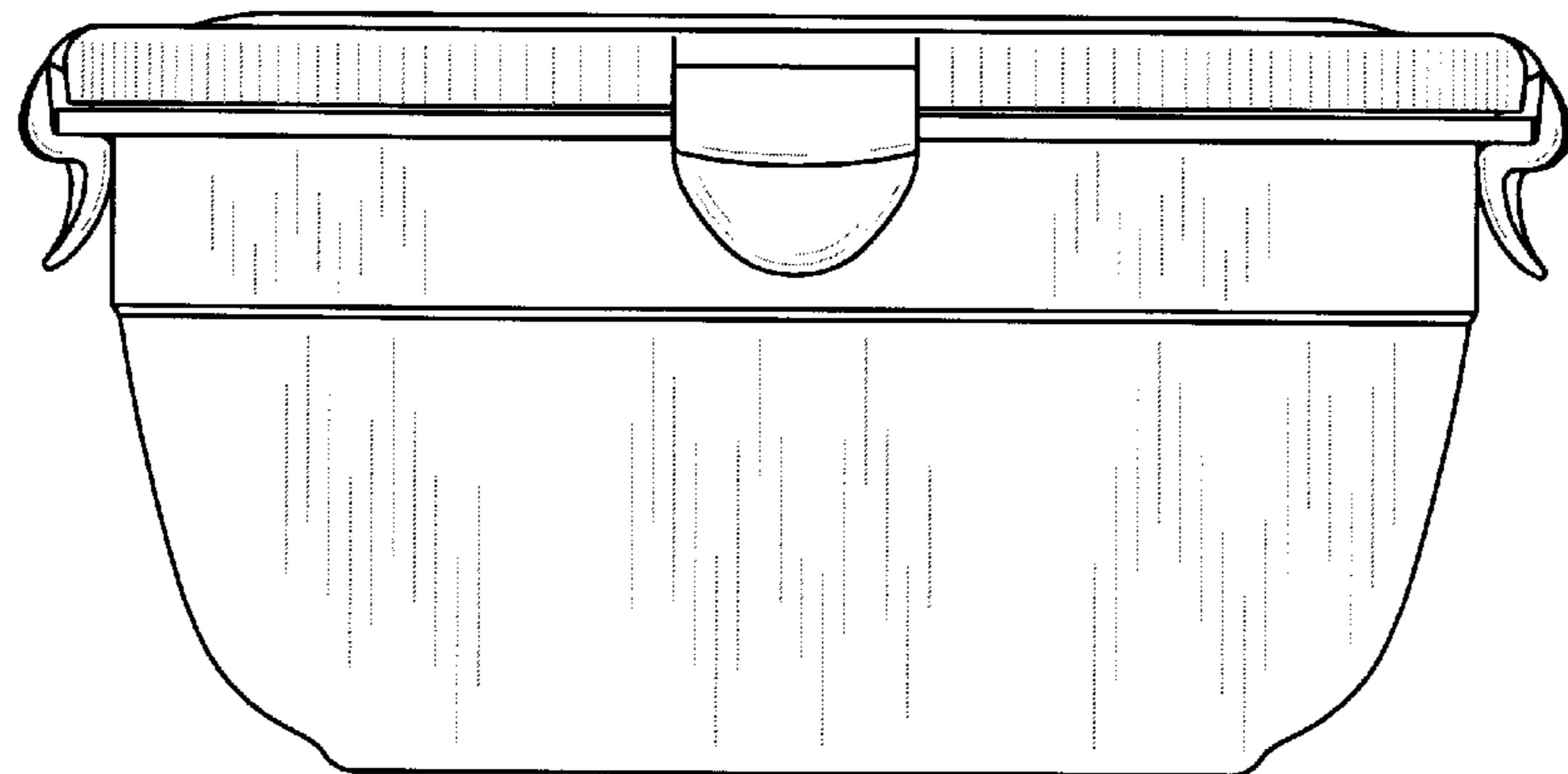


Fig.3

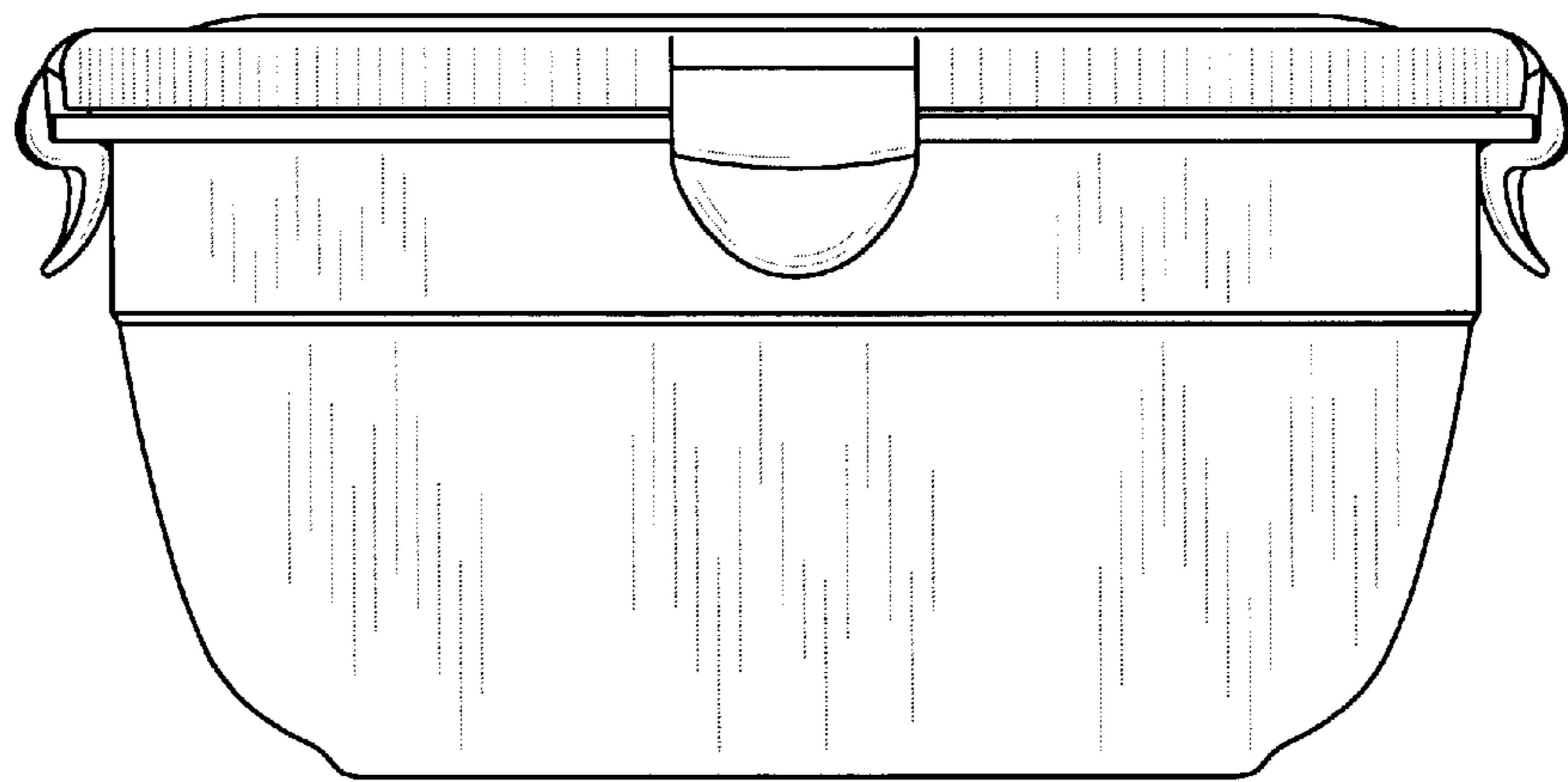


Fig.4

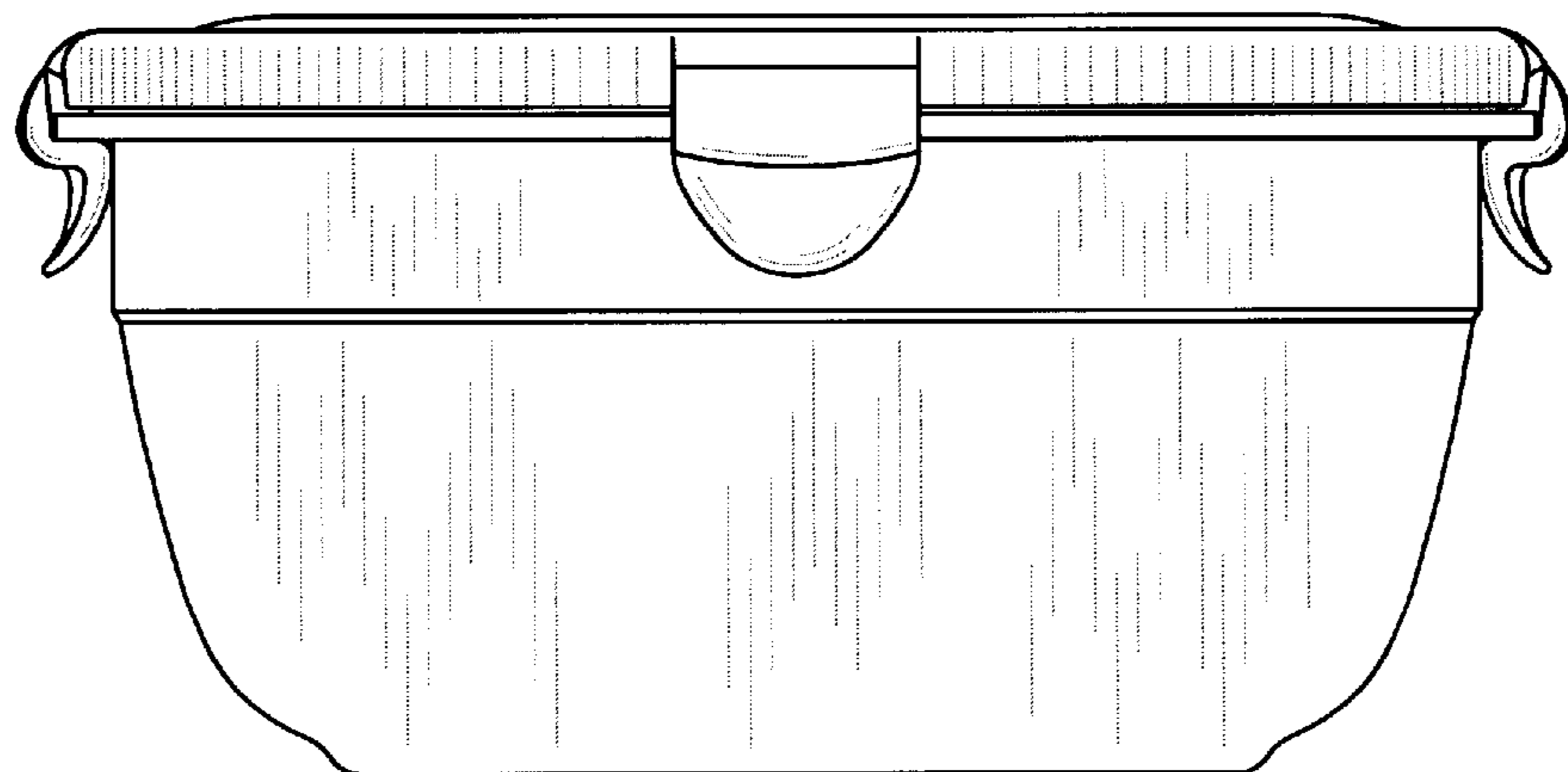


Fig.5

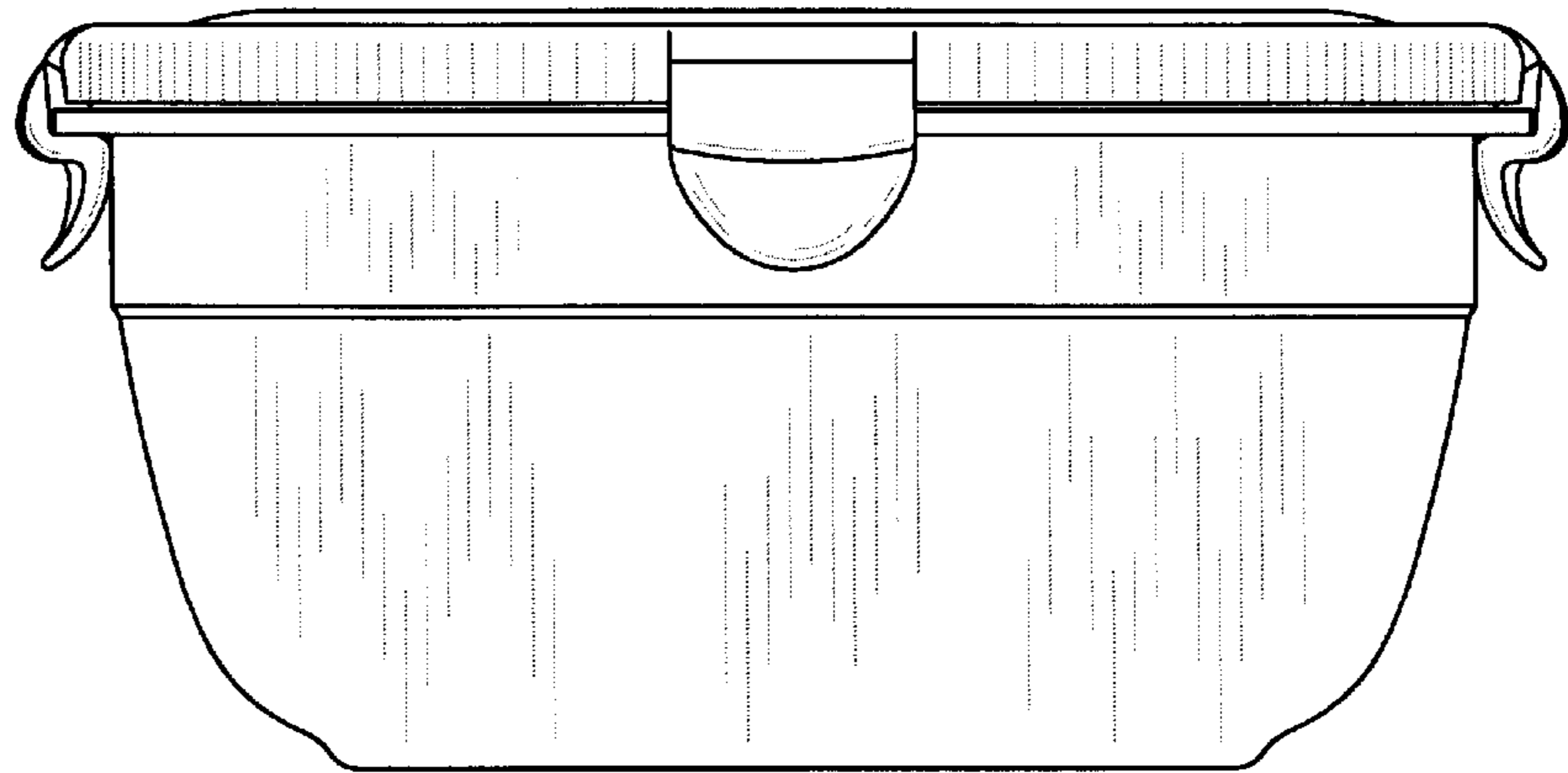


Fig.6

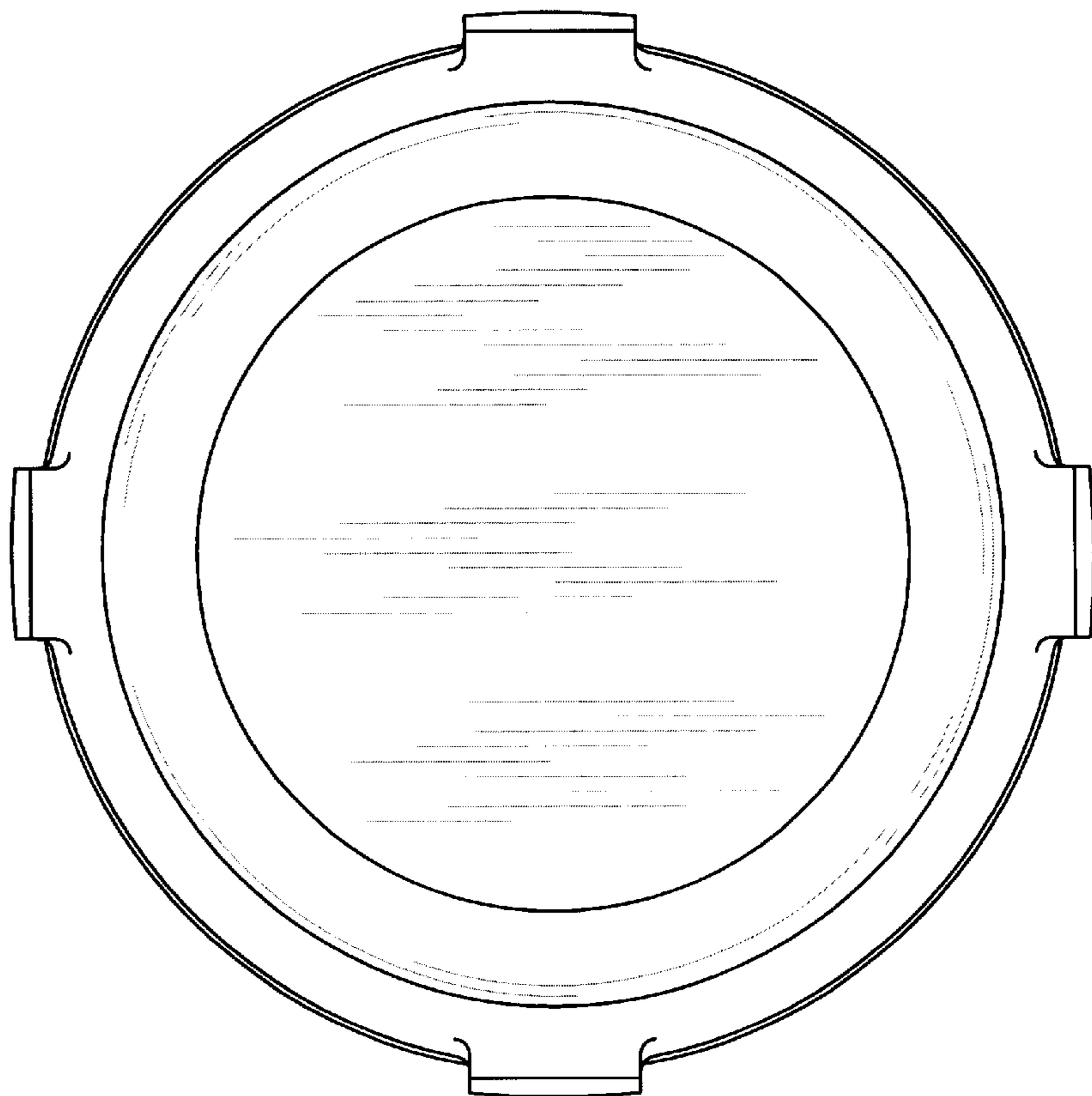


Fig.7

