



US00D523295S

(12) **United States Design Patent**
Gregorczyk

(10) **Patent No.:** **US D523,295 S**

(45) **Date of Patent:** **** Jun. 20, 2006**

(54) **ABSORBENT SLEEVE**

(76) Inventor: **Raymond Gregorczyk**, 401 E. 80th
34K, New York, NY (US) 10021

(**) Term: **14 Years**

(21) Appl. No.: **29/211,336**

(22) Filed: **Aug. 13, 2004**

(51) **LOC (8) Cl.** **07-06**

(52) **U.S. Cl.** **D7/624.2; D7/619.1**

(58) **Field of Classification Search** D7/619.1-625;
230/737-739, 716; 229/400-404, 87.01,
229/89, 4.5, 800, 118; 294/31.2, 87.1, 152,
294/165

See application file for complete search history.

(56) **References Cited**

U.S. PATENT DOCUMENTS

622,564 A * 4/1899 Tebbetts 220/716
6,047,852 A * 4/2000 Evans et al. 220/793

6,070,755 A * 6/2000 Evans et al. 220/793
6,749,082 B1 * 6/2004 Nickel 220/738

* cited by examiner

Primary Examiner—Terry A. Wallace

(74) *Attorney, Agent, or Firm*—Michaud-Duffy Group LLP

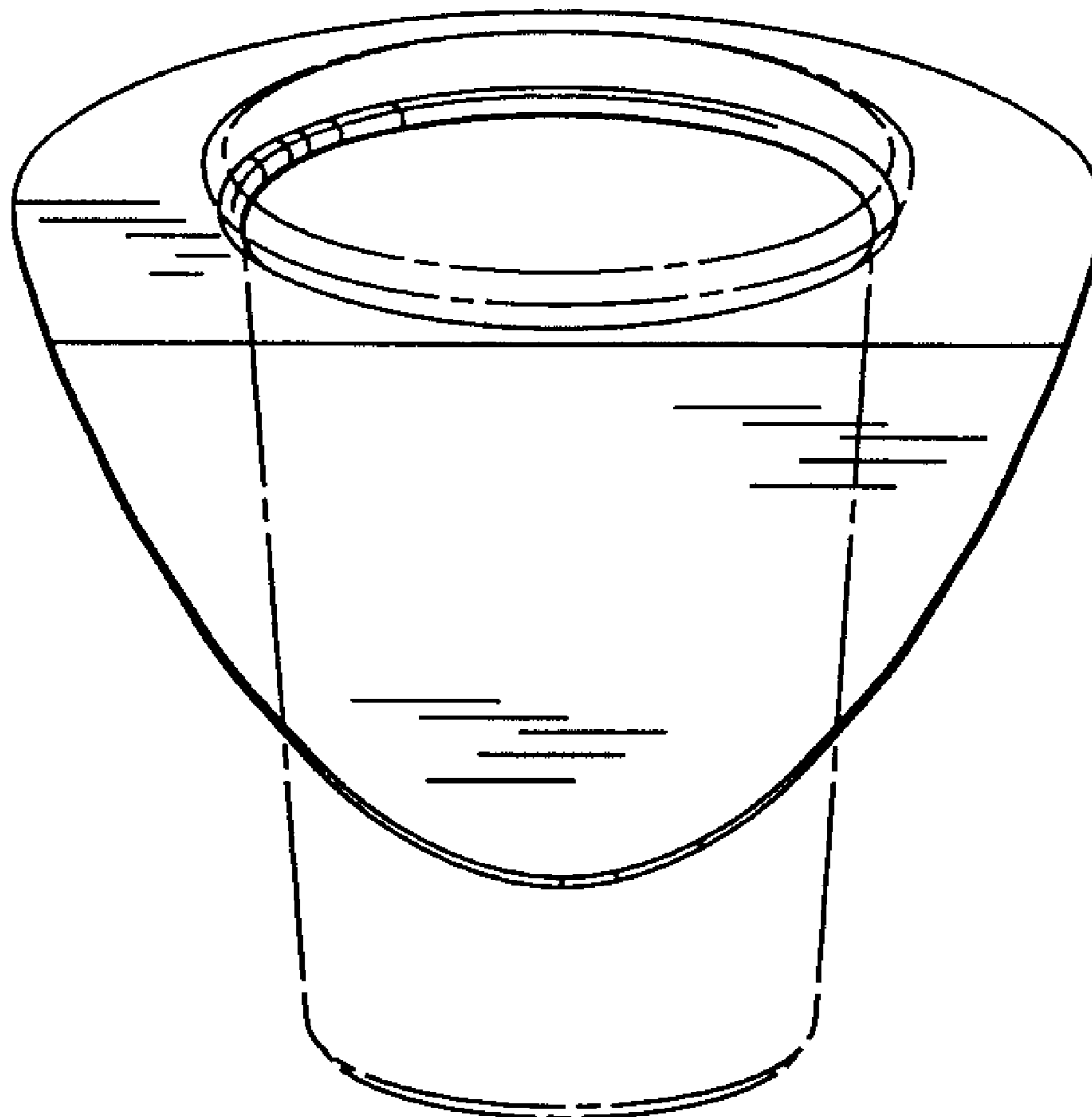
(57) **CLAIM**

The ornamental design for an absorbent sleeve, as shown and described.

DESCRIPTION

FIG. 1 is a perspective view of the absorbent sleeve, FIG. 2 is a front view of the absorbent sleeve, FIG. 3 is a rear view of the absorbent sleeve, FIG. 4 is a left side view with a right side mirror image of the absorbent sleeve, FIG. 5 is a top view of the absorbent sleeve; and, FIG. 6 is a bottom view of the absorbent sleeve. The broken lines are for illustrative purposes only and form no part of the claimed design.

1 Claim, 3 Drawing Sheets



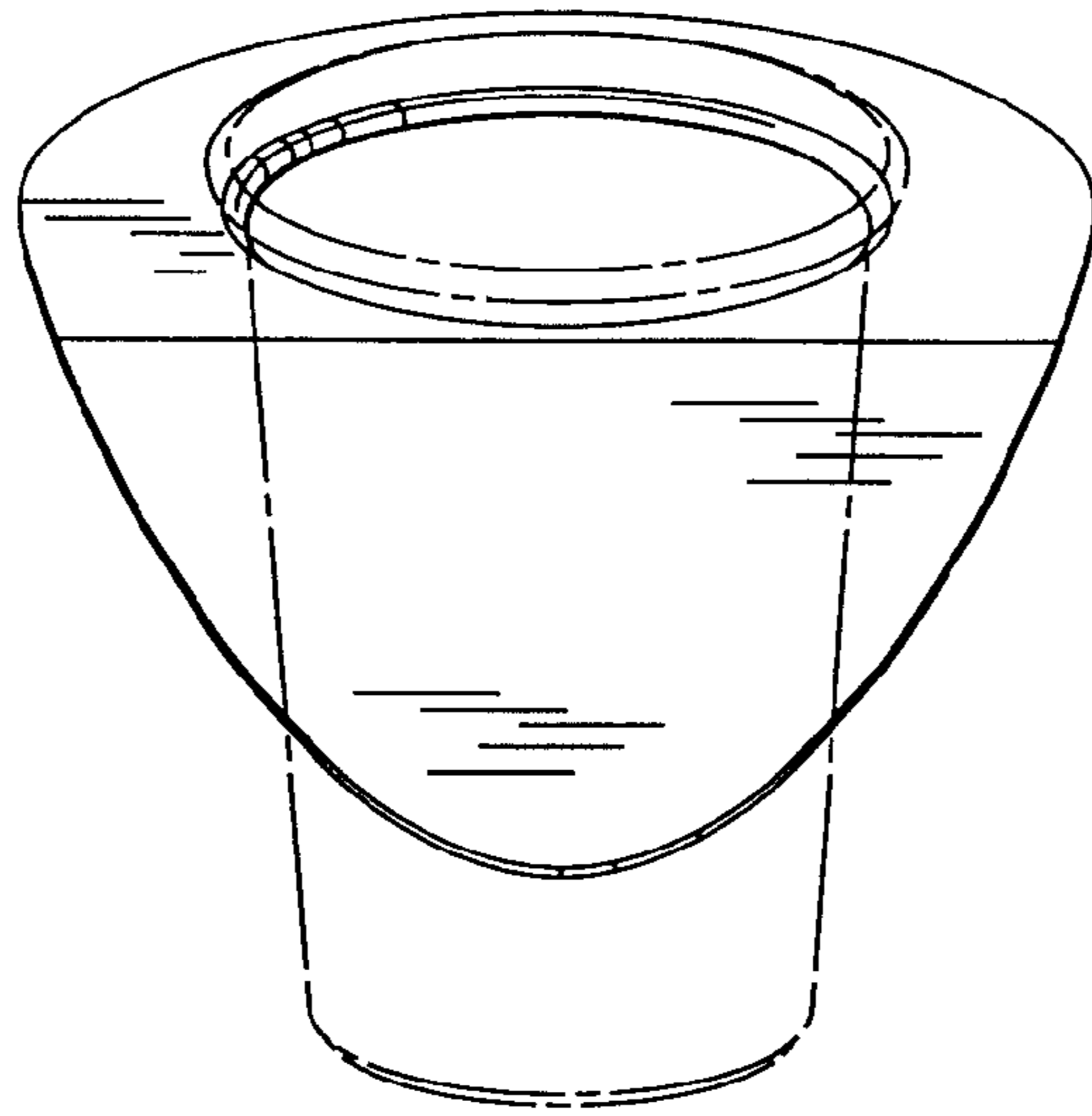


FIG. 1

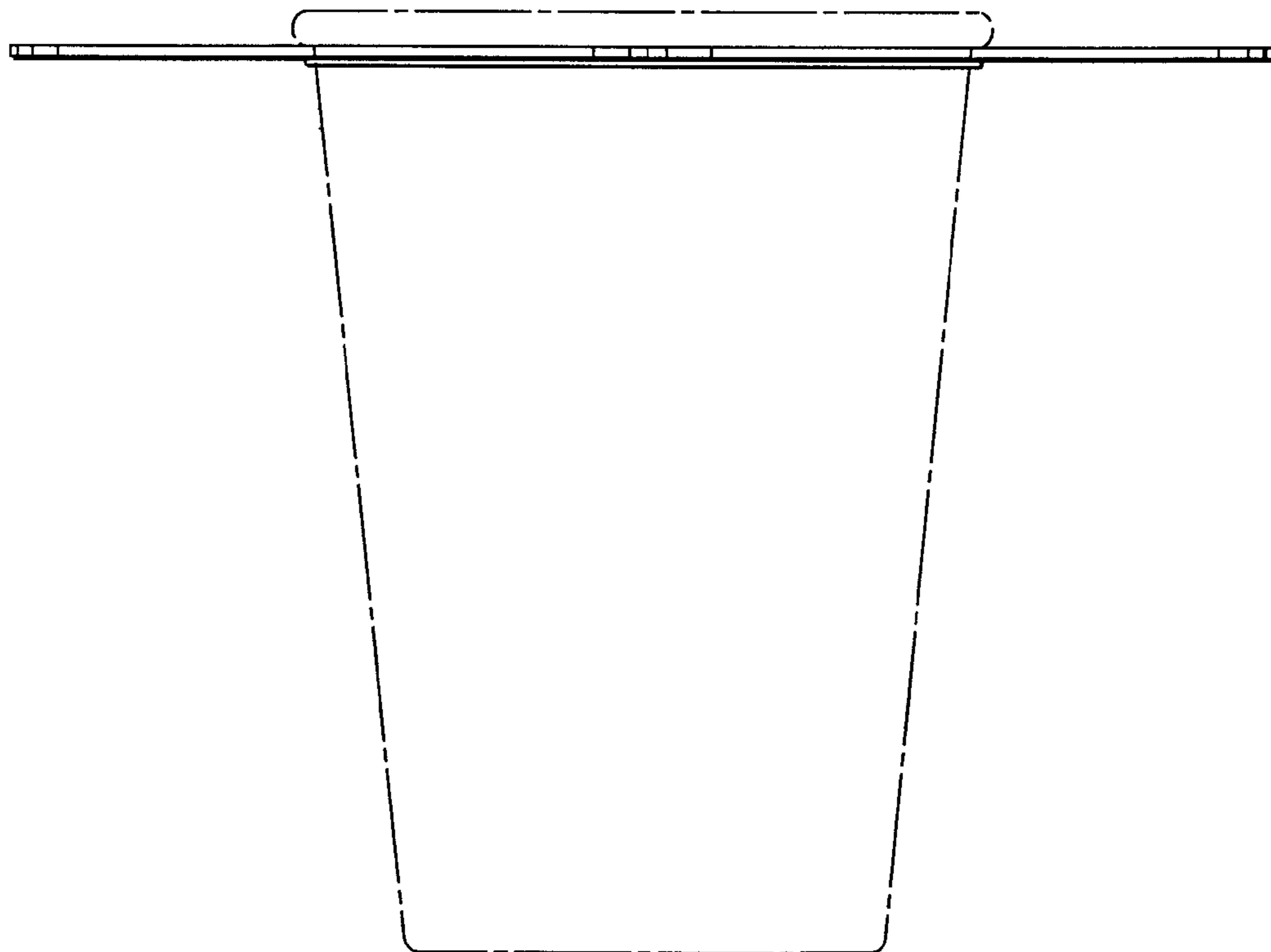


FIG. 2

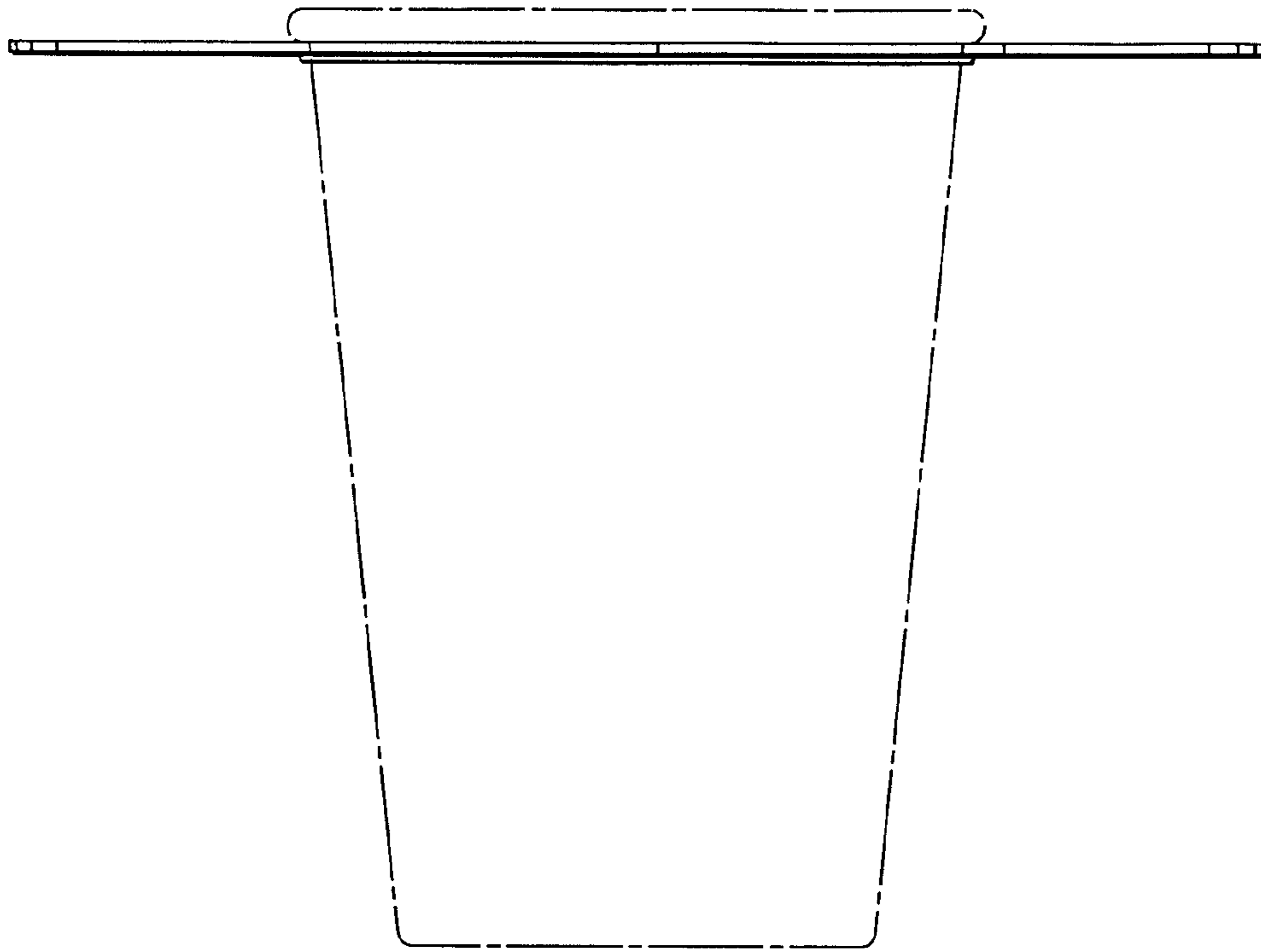


FIG. 3

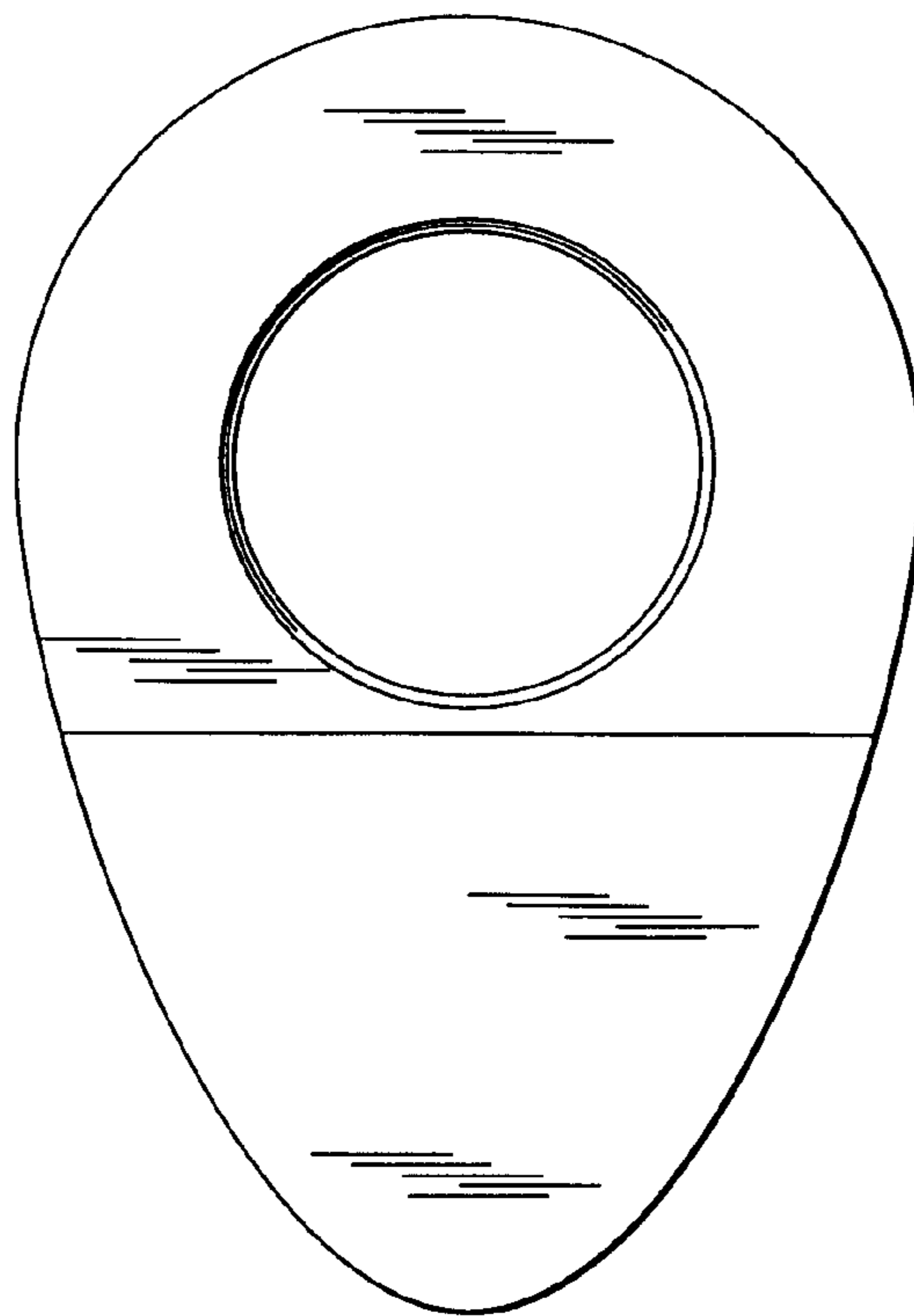


FIG. 5

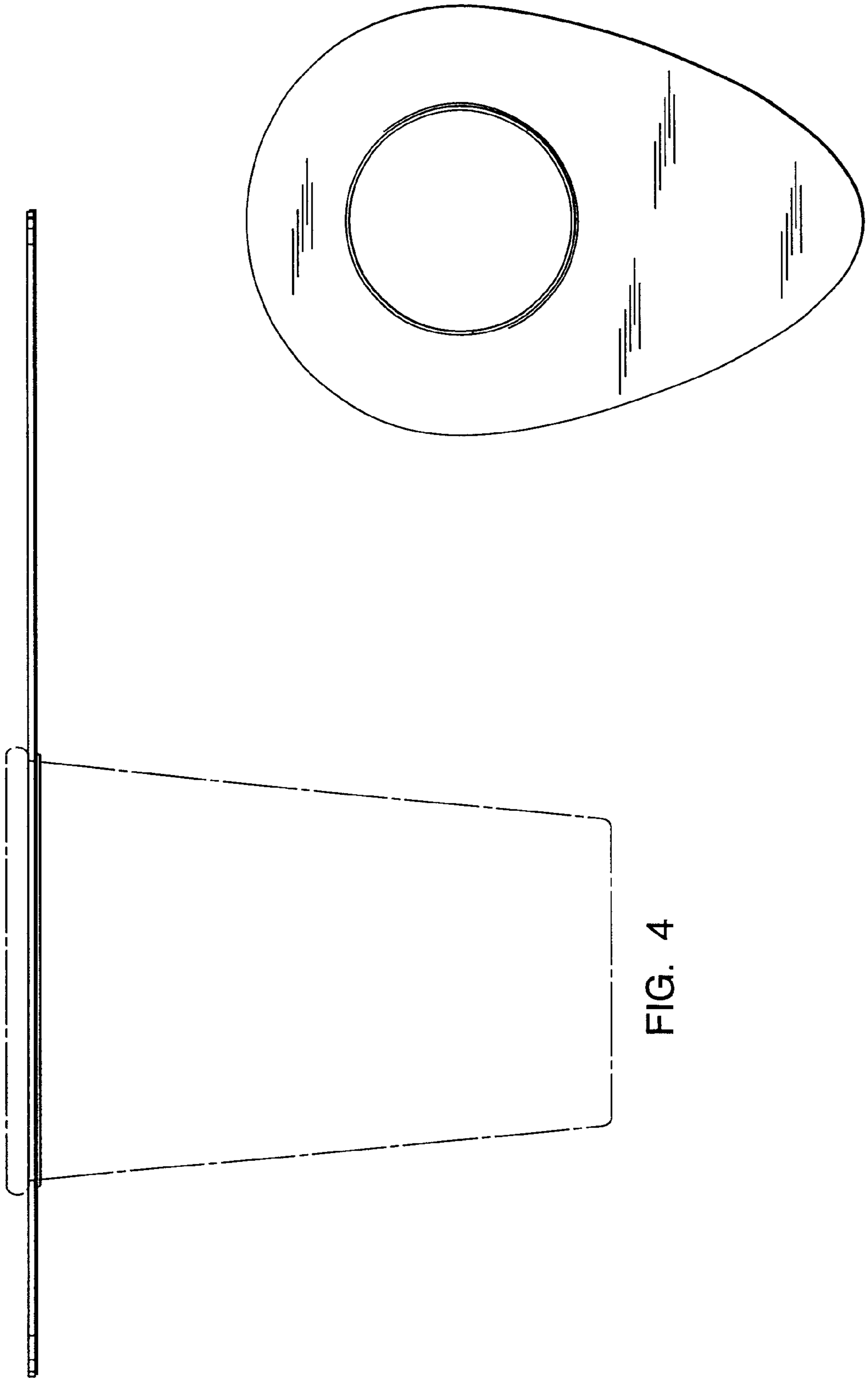


FIG. 4

FIG. 6