

US00D523293S

(12) **United States Design Patent**
Disbrow et al.

(10) **Patent No.: US D523,293 S**
(45) **Date of Patent: ** Jun. 20, 2006**

(54) **COASTER**

(75) Inventors: **Bryan J. Disbrow**, Port Orange, FL
(US); **Hardy Ralf Gutmuths**, Berlin
(DE); **Michael Wolfgang Kruppa**,
Berlin (DE)

(73) Assignee: **Sticky Bottom, LLC**, New Smyrna
Beach, FL (US)

(**) Term: **14 Years**

(21) Appl. No.: **29/220,377**

(22) Filed: **Dec. 29, 2004**

(51) **LOC (8) Cl.** **07-06**

(52) **U.S. Cl.** **D7/619.1**

(58) **Field of Classification Search** D7/619.1-625;
215/376, 393-398; 248/346.11, 346.01; 362/101,
362/154, 253, 394, 562, 800, 802
See application file for complete search history.

(56) **References Cited**

U.S. PATENT DOCUMENTS

3,735,113 A	5/1973	Stott	
3,878,386 A	4/1975	Douglas	
4,336,574 A *	6/1982	Goodman	362/101
4,344,113 A	8/1982	Ditto et al.	
4,390,928 A	6/1983	Runge	
5,307,250 A *	4/1994	Pearson	362/101

5,990,790 A	11/1999	Lusareta
6,065,848 A	5/2000	Tucker et al.
6,082,866 A	7/2000	Amedee
6,158,870 A	12/2000	Ramirez
6,163,248 A	12/2000	Paek et al.
6,186,637 B1	2/2001	Murrietta
6,305,817 B1	10/2001	Johnston
6,352,352 B1	3/2002	Schletterer et al.
6,354,711 B1	3/2002	McCoy
6,379,018 B1	4/2002	Rycroft et al.
6,419,384 B1	7/2002	Lewis et al.
2003/0076672 A1	4/2003	Head

* cited by examiner

Primary Examiner—Terry A. Wallace
(74) *Attorney, Agent, or Firm*—Allen, Dyer, Doppelt,
Milbrath & Gilchrist, P.A.

(57) **CLAIM**

The ornamental design for a coaster, as shown and described.

DESCRIPTION

FIG. 1 is a side-top perspective view of the coaster of the present invention.

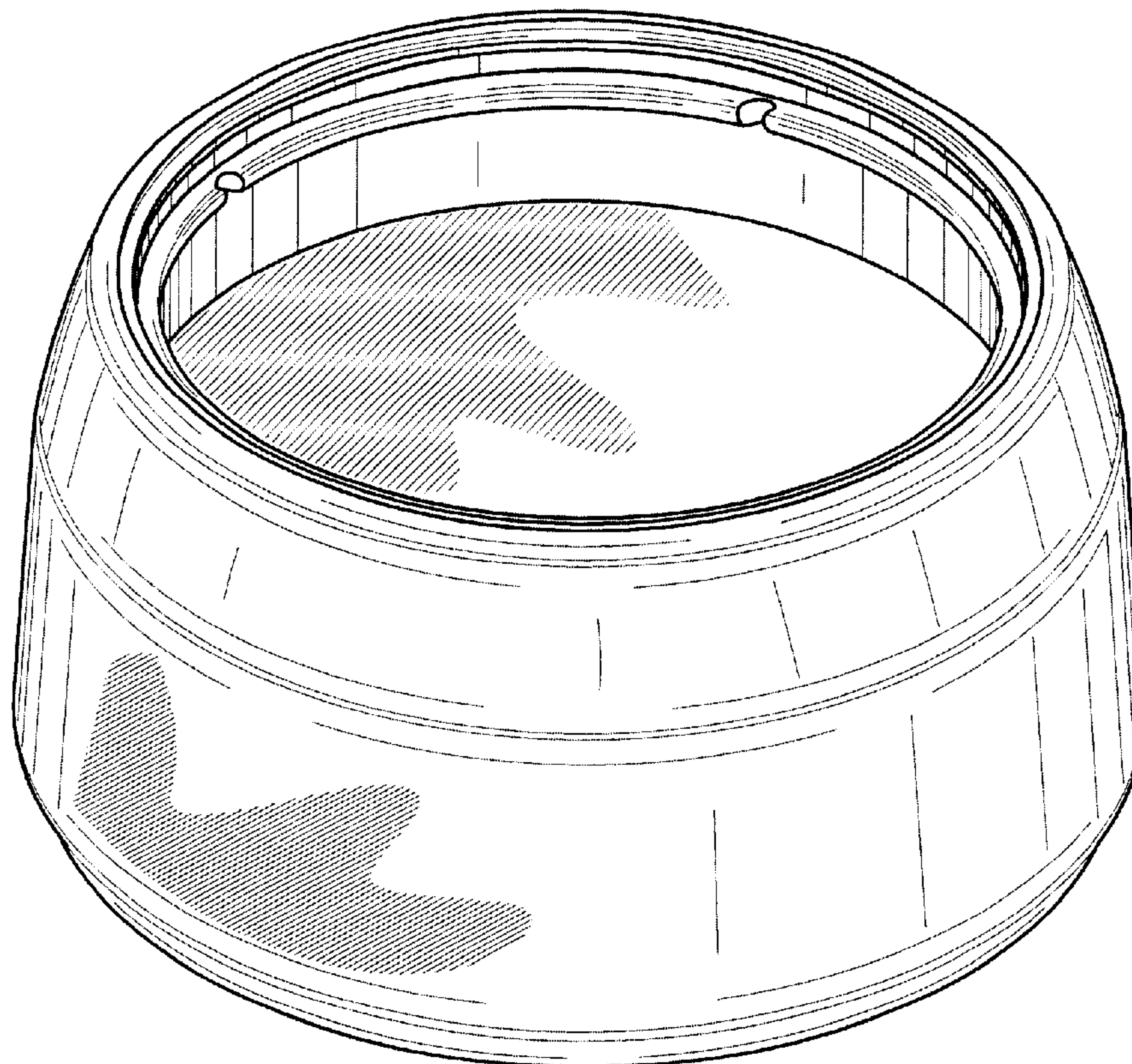
FIG. 2 is a side-bottom perspective view of the coaster.

FIG. 3 is a top plan view of the coaster.

FIG. 4 is a bottom plan view of the coaster; and,

FIG. 5 is a side elevation view of the coaster.

1 Claim, 3 Drawing Sheets



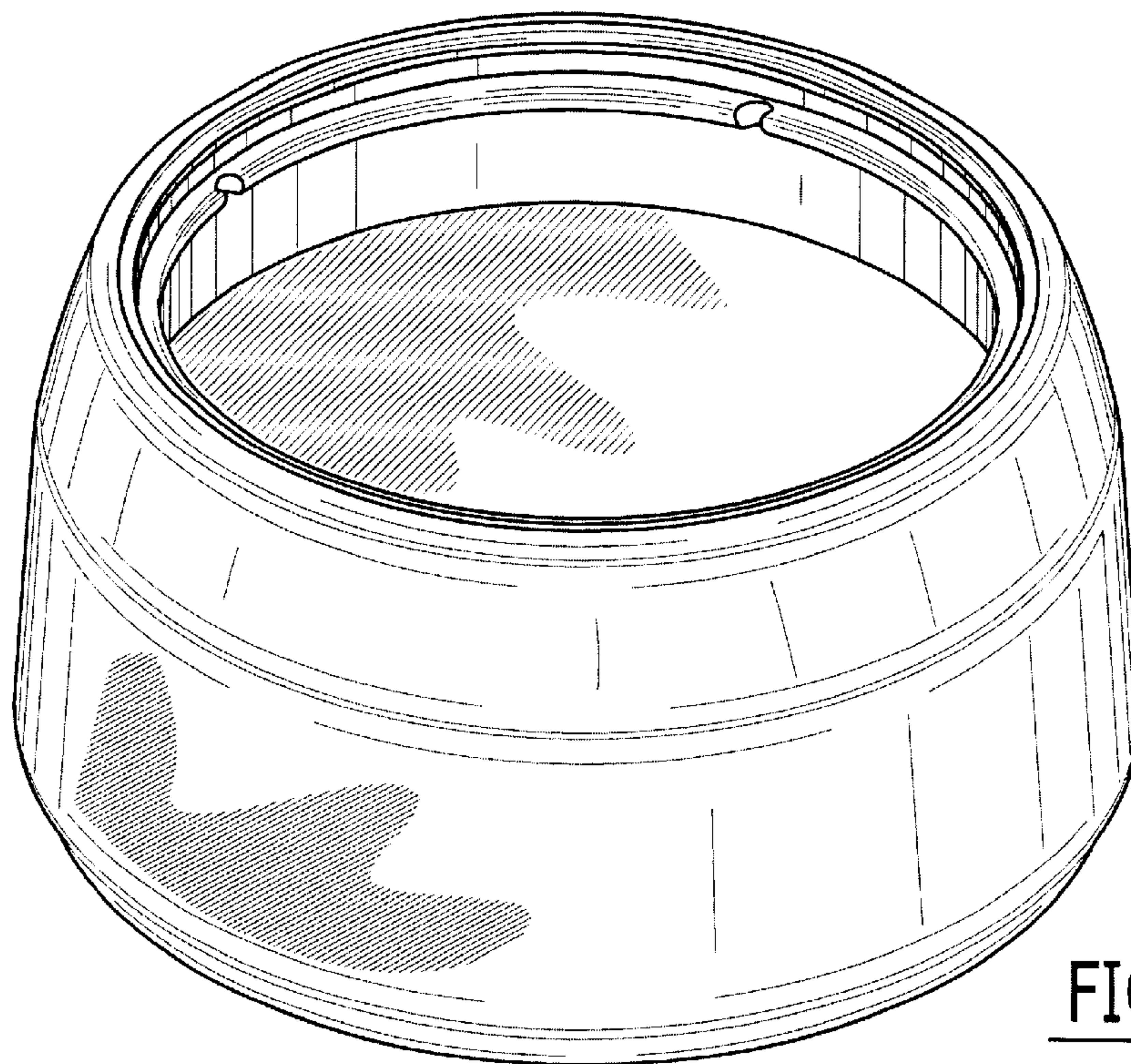


FIG. 1

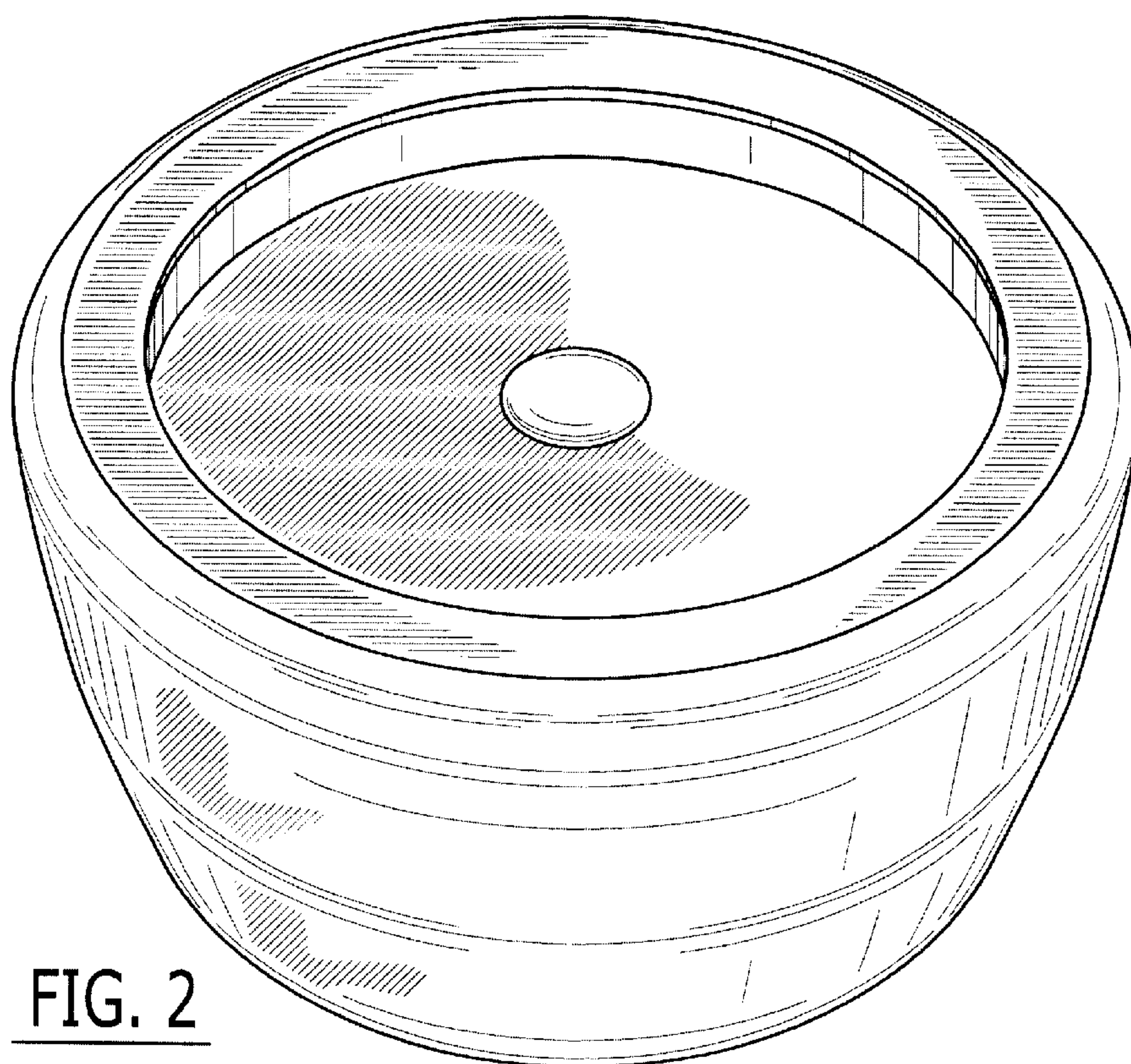


FIG. 2

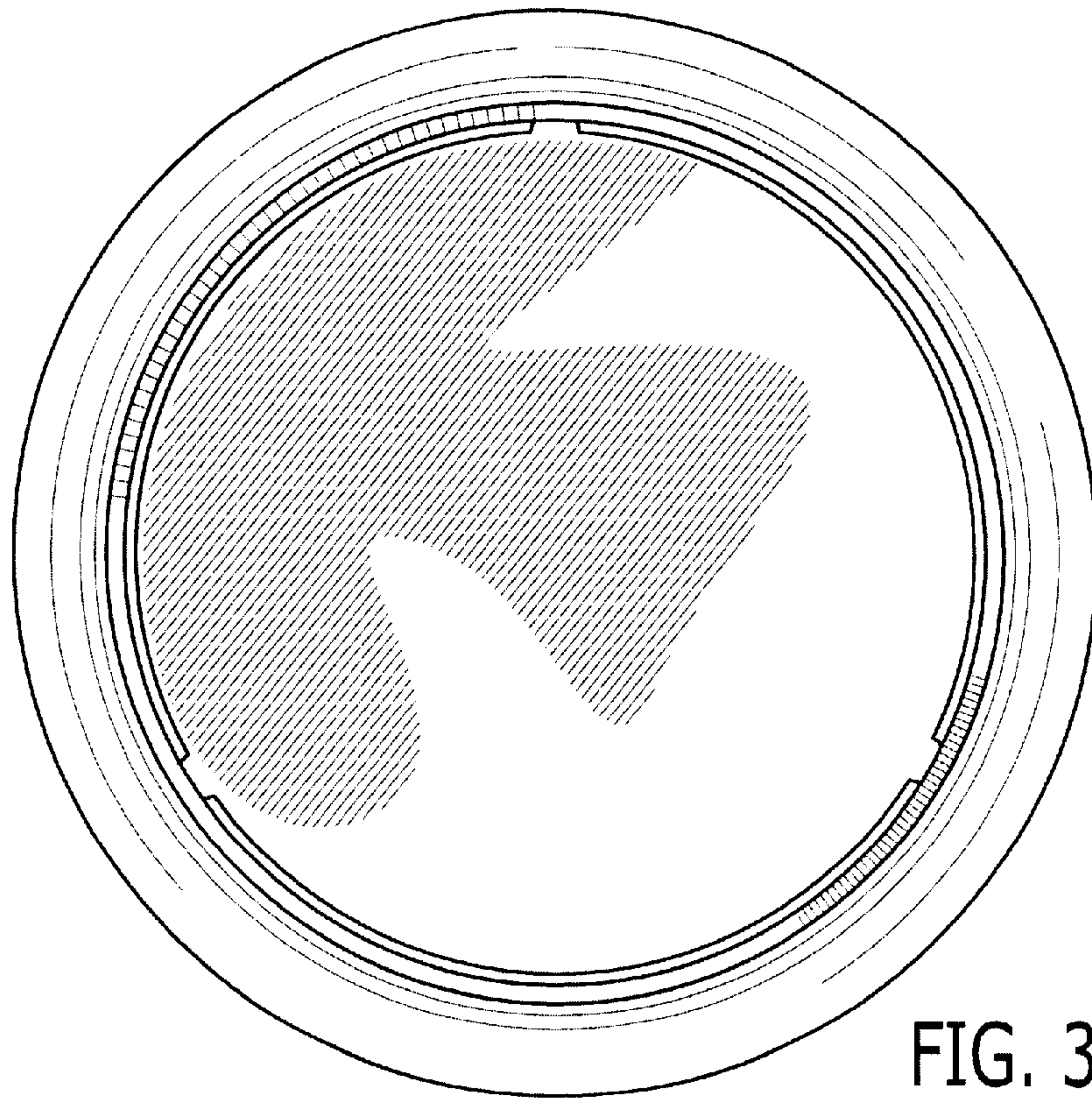


FIG. 3

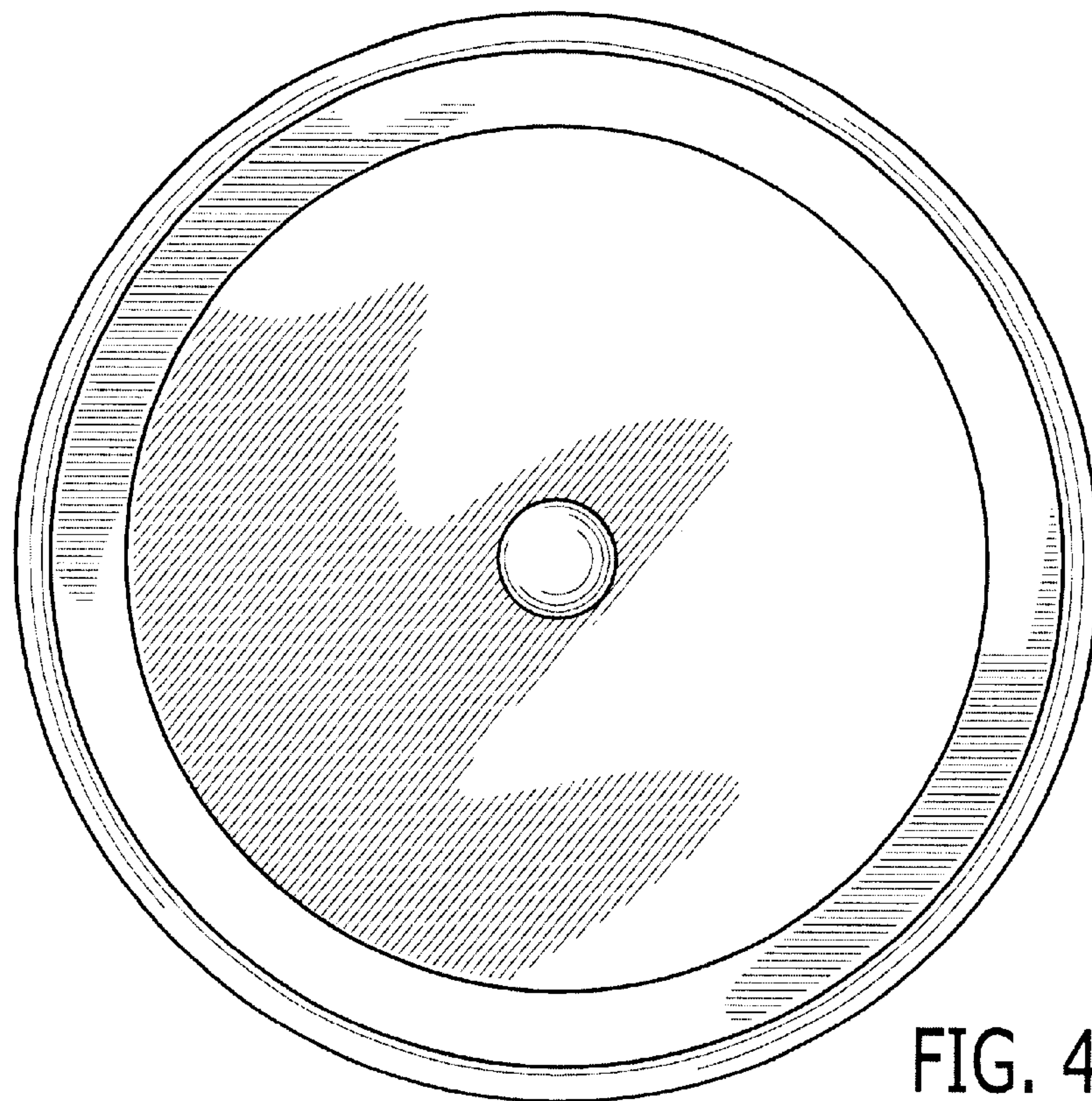


FIG. 4

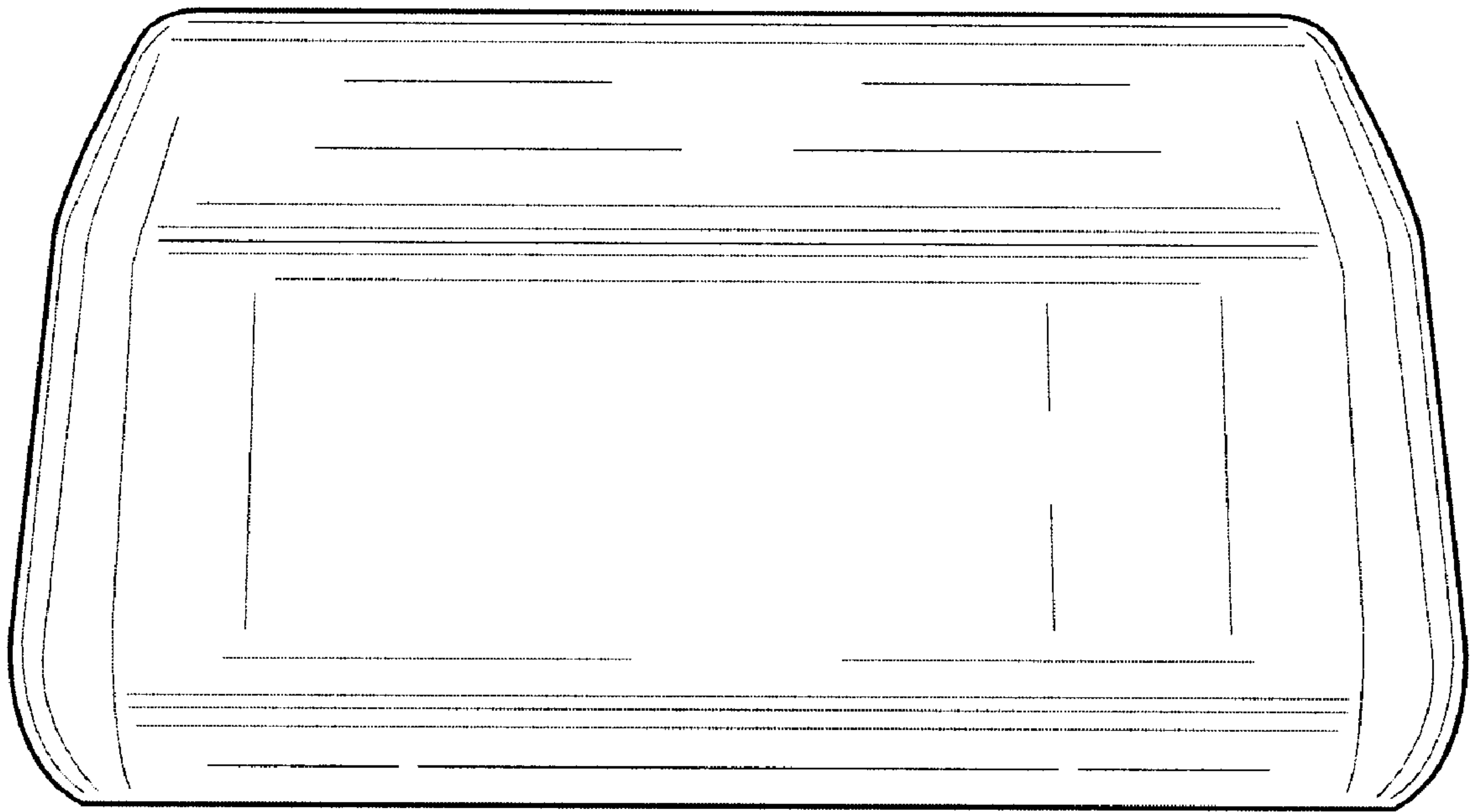


FIG. 5