



US00D523292S

(12) **United States Design Patent**
Eastman, III

(10) **Patent No.:** **US D523,292 S**

(45) **Date of Patent:** **** Jun. 20, 2006**

(54) **CANISTER**

D329,962 S * 10/1992 Hestehave et al. D7/612
5,405,038 A * 4/1995 Chuang 220/367.1

(75) Inventor: **Robert Eastman, III**, Flushing, MI
(US)

* cited by examiner

(73) Assignee: **Eastman Holding Company**, Flushing,
MI (US)

Primary Examiner—Terry A. Wallace
(74) *Attorney, Agent, or Firm*—Carrier, Blackman &
Associates, P.C.; William D. Blackman; Joseph P. Carrier

(**) Term: **14 Years**

(57) **CLAIM**

(21) Appl. No.: **29/194,293**

The ornamental design for a canister, substantially as shown.

(22) Filed: **Nov. 21, 2003**

DESCRIPTION

(51) **LOC (8) Cl.** **07-01**

(52) **U.S. Cl.** **D7/615; D7/630**

(58) **Field of Classification Search** D7/612–615,
D7/538–542, 391, 392.1; D9/414, 424, 425,
D9/454; 220/281, 324, 662, 675, 367.1, 780–805
See application file for complete search history.

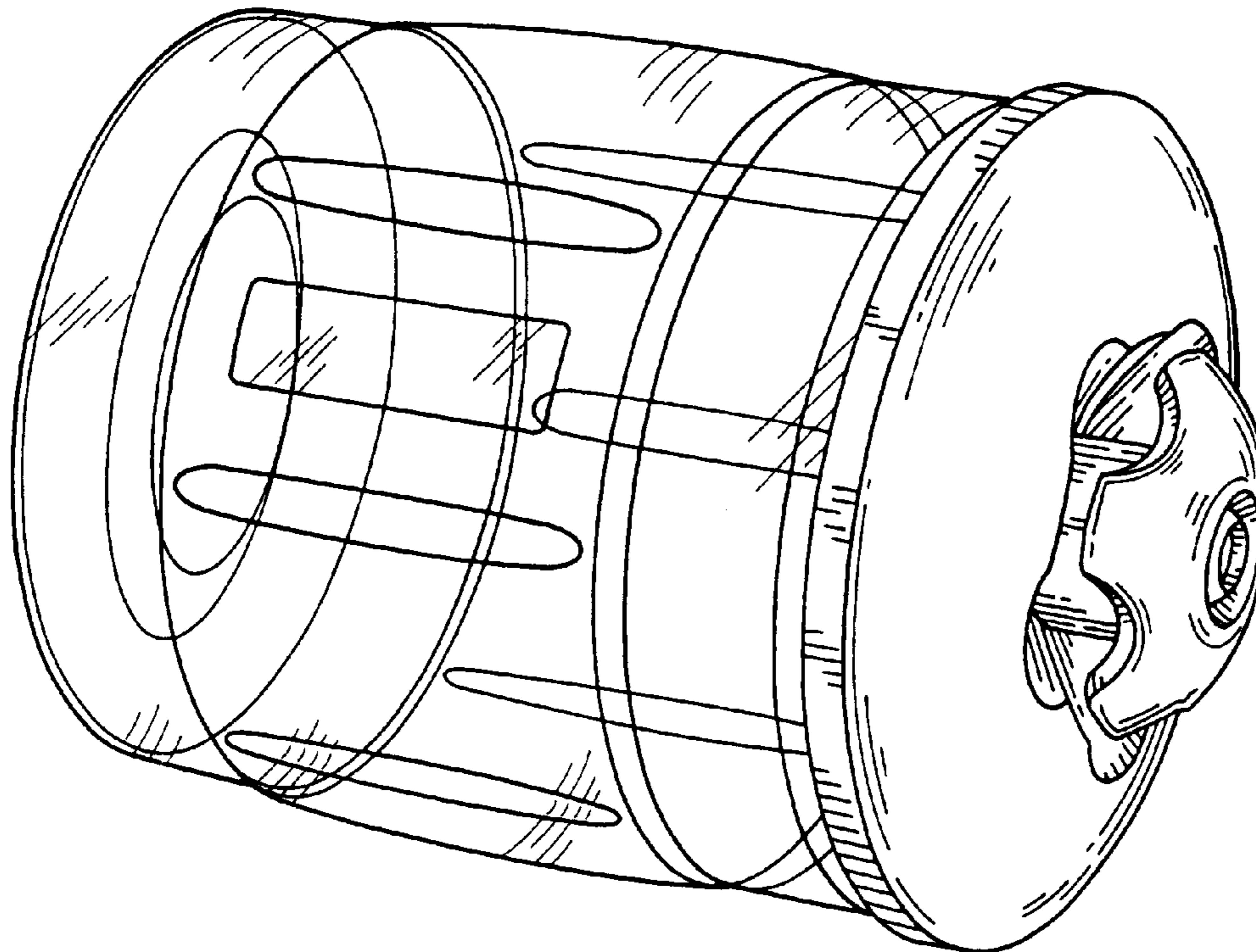
FIG. 1 is a top, front, right side perspective view of a canister showing my new design;
FIG. 2 is a top plan thereof;
FIG. 3 is a front elevation view thereof;
FIG. 4 is a rear elevation view thereof;
FIG. 5 is a right side elevation view thereof;
FIG. 6 is a bottom plan view thereof; and,
FIG. 7 is a left side elevation view thereof.

(56) **References Cited**

U.S. PATENT DOCUMENTS

D328,835 S * 8/1992 Schneider D7/391

1 Claim, 4 Drawing Sheets



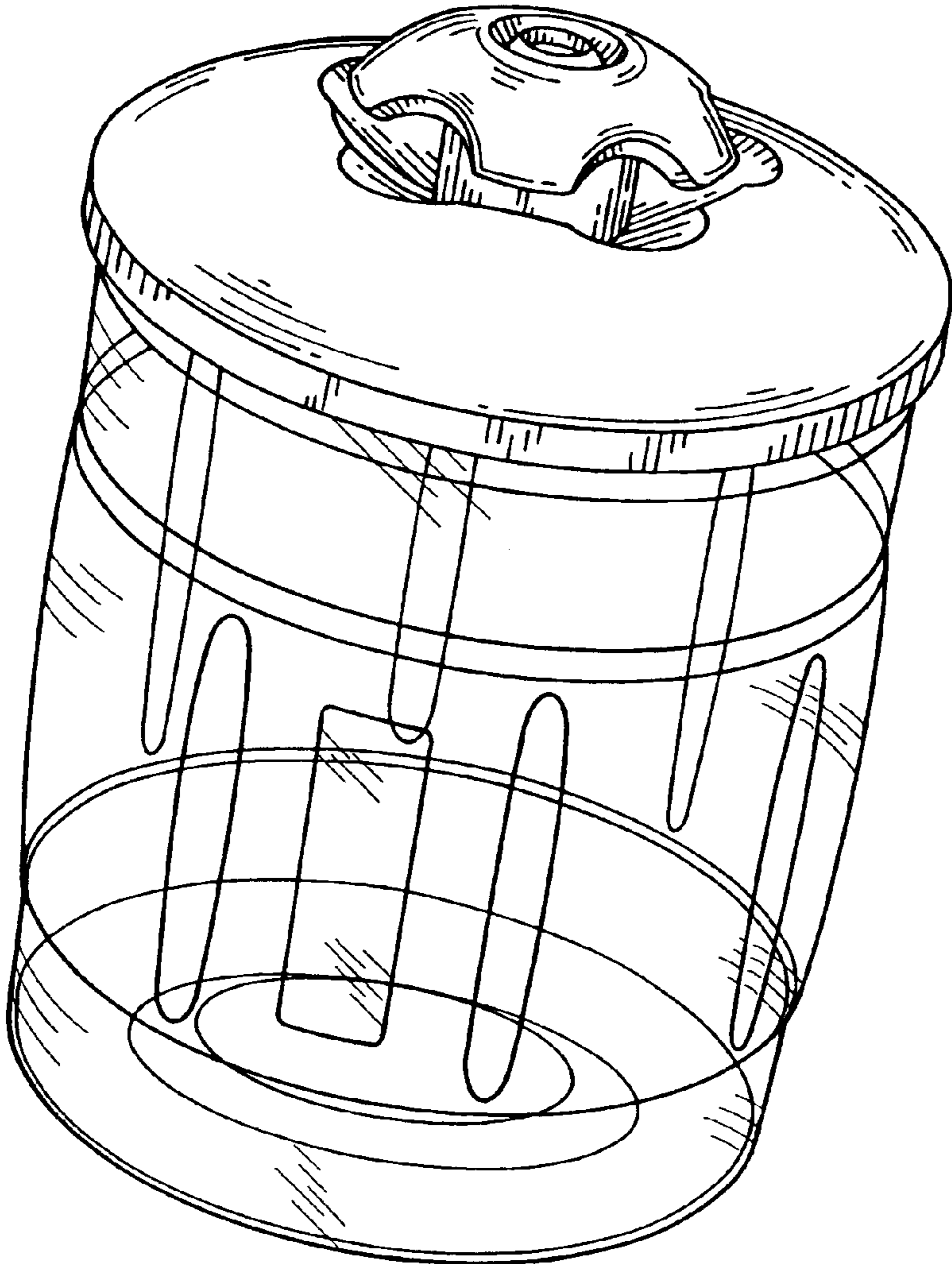


Fig. 1

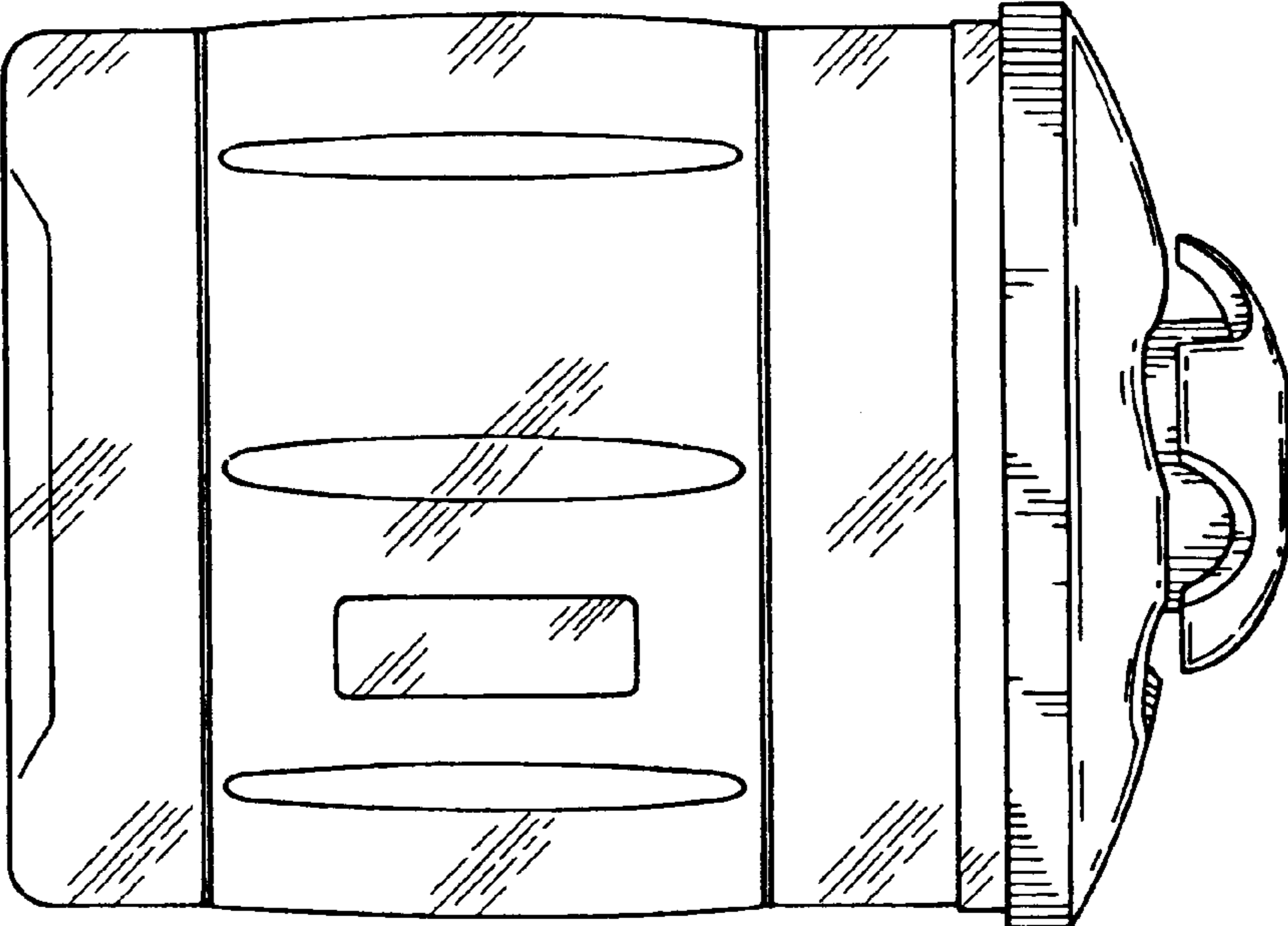


Fig. 2

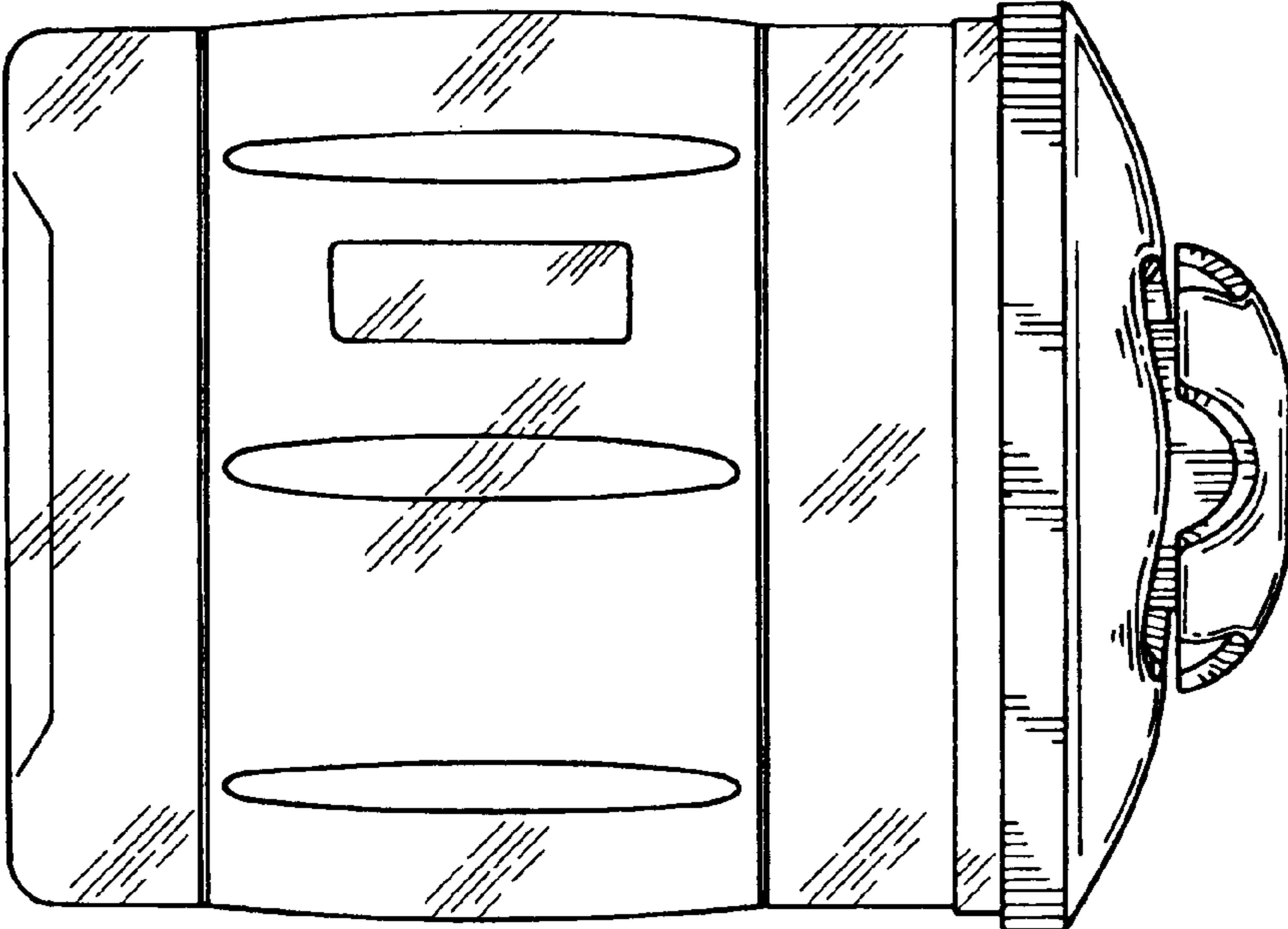


Fig. 3

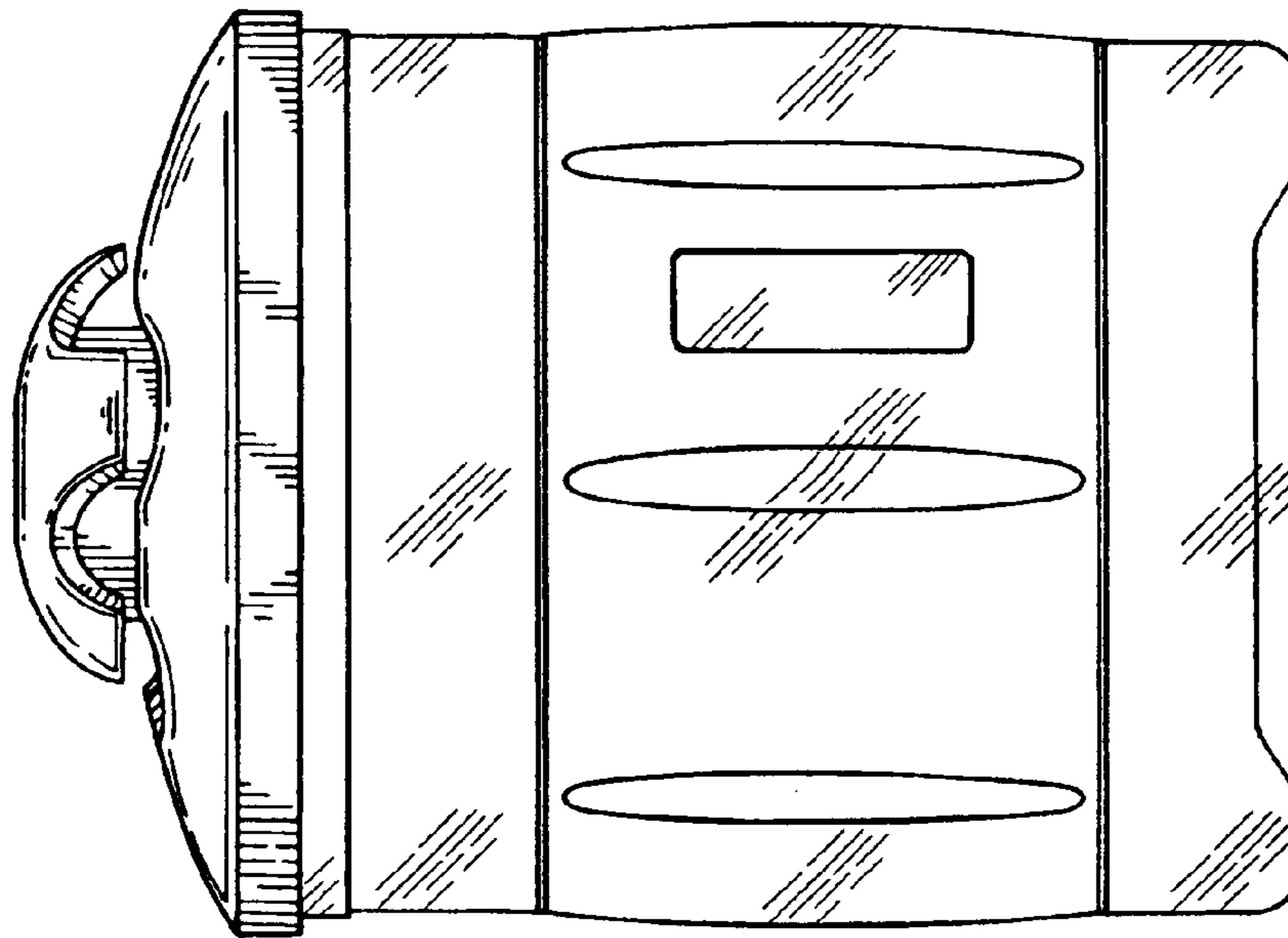


Fig. 4

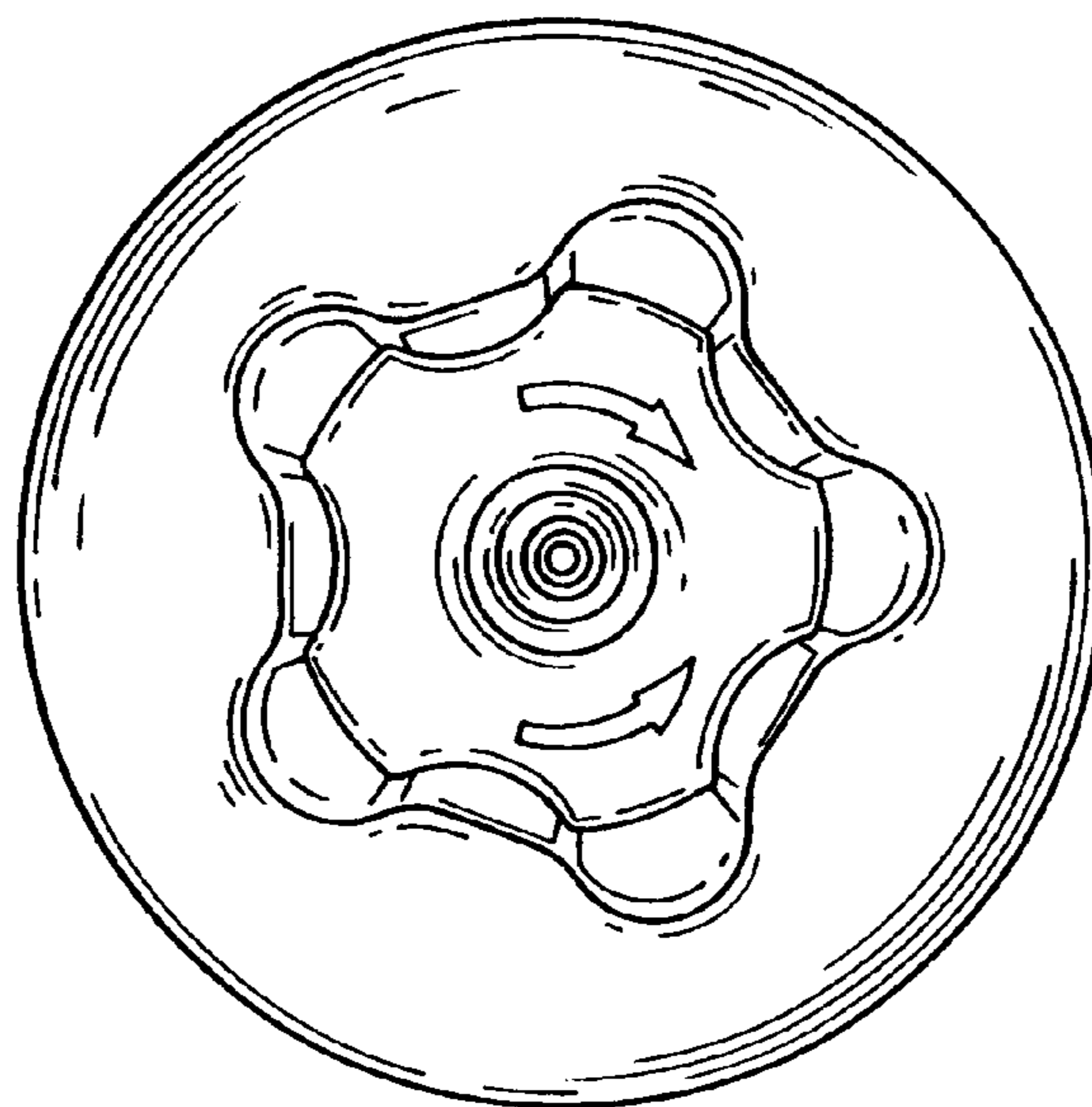


Fig. 5

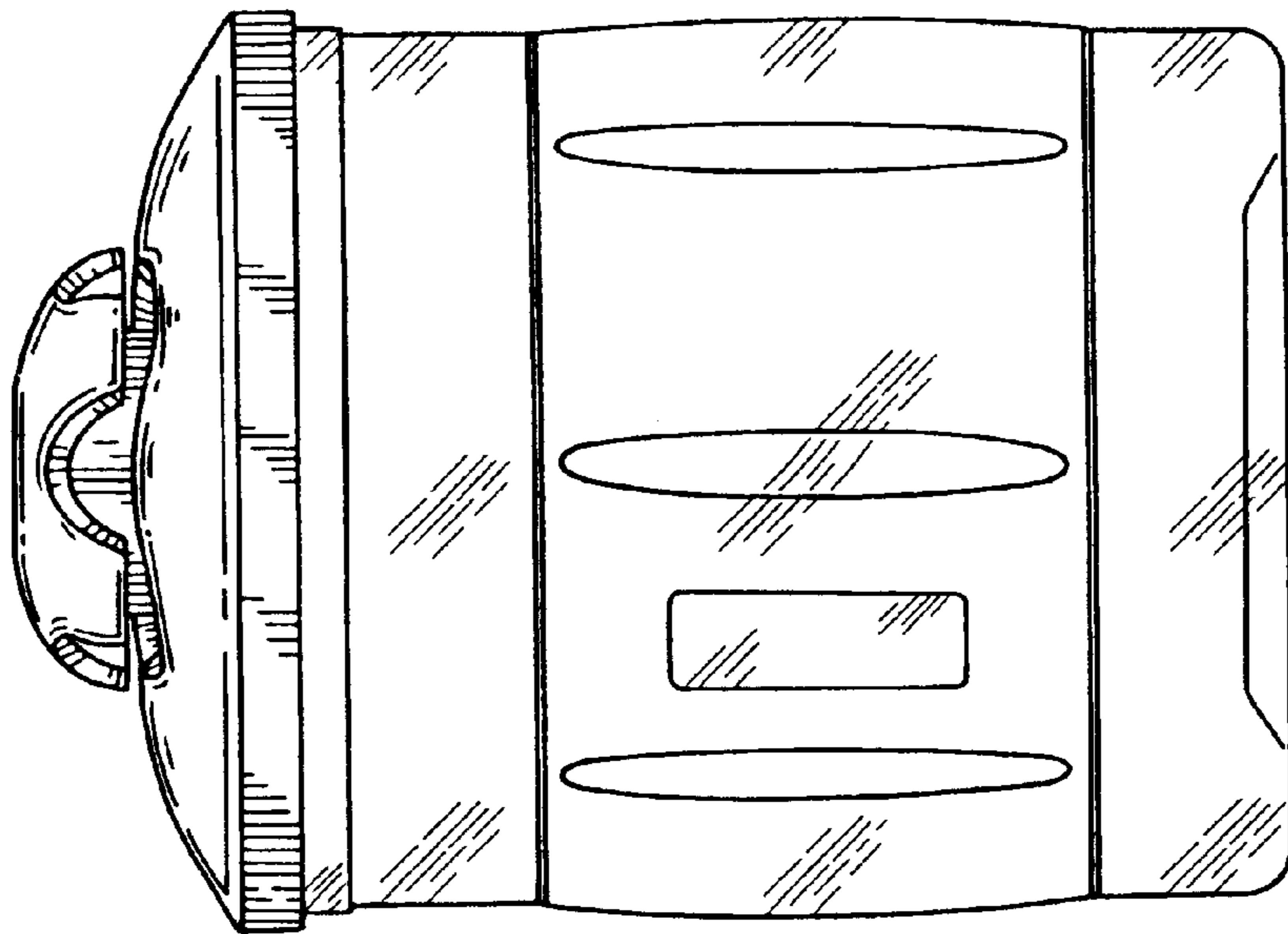


Fig. 6

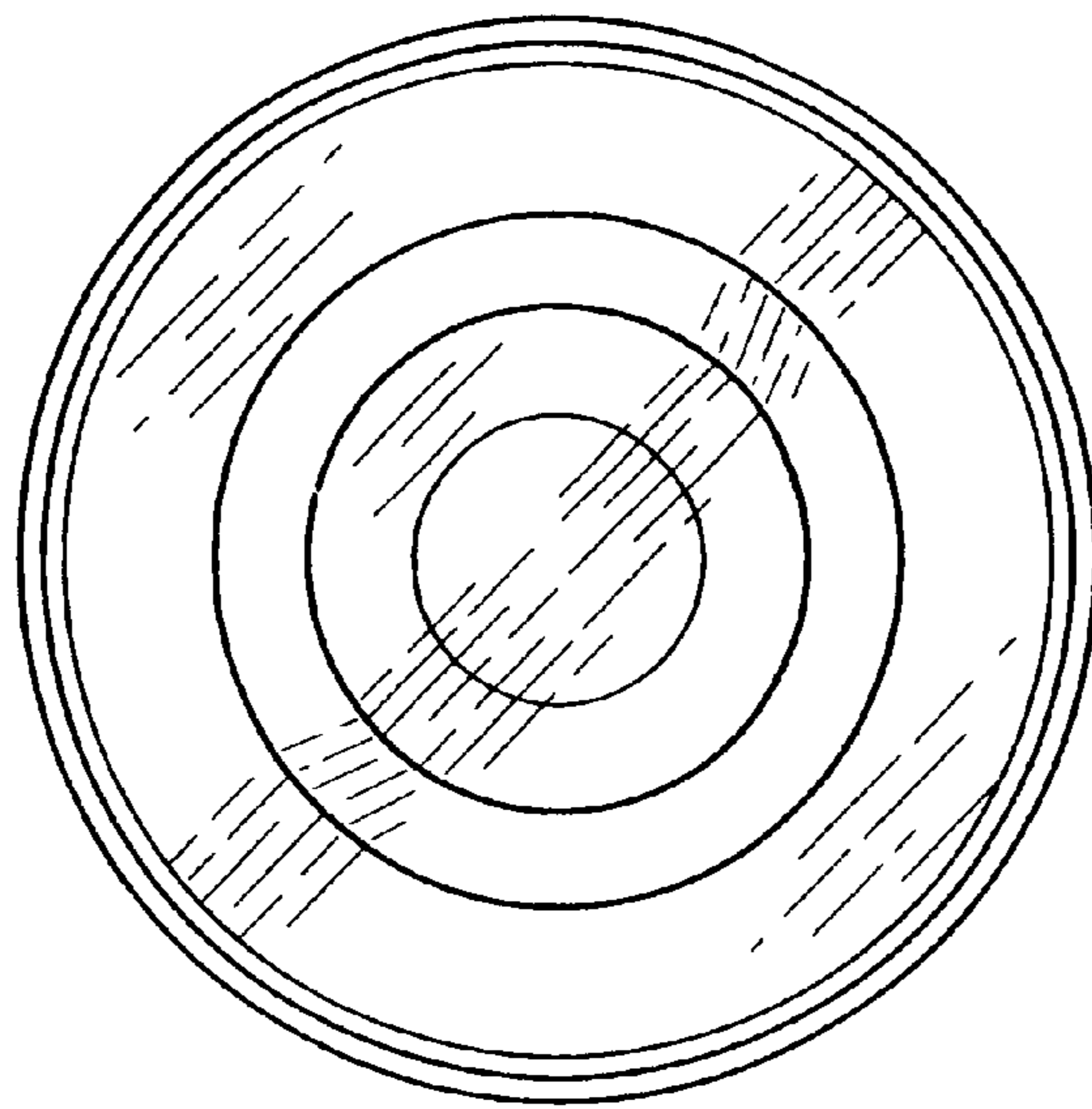


Fig. 7