

US00D523291S

(12) **United States Design Patent**
Krieger et al.

(10) **Patent No.:** **US D523,291 S**

(45) **Date of Patent:** **** Jun. 20, 2006**

(54) **TRAVEL COOLER AND WARMER**

D480,274 S * 10/2003 Yuen D7/605
D480,275 S * 10/2003 Yuen D7/605

(75) Inventors: **Michael Krieger**, Miami Beach, FL
(US); **Kevin Ellsworth**, Hollywood, FL
(US)

OTHER PUBLICATIONS

U.S. Appl. No. 29/228,837 filed Apr. 29, 2005.
U.S. Appl. No. 29/228,839 filed Apr. 29, 2005.
U.S. Appl. No. 29/228,836 filed Apr. 29, 2005.

(73) Assignee: **Vector Products, Inc.**, Ft. Lauderdale,
FL (US)

* cited by examiner

(**) Term: **14 Years**

Primary Examiner—Terry A. Wallace

(21) Appl. No.: **29/228,838**

(74) *Attorney, Agent, or Firm*—Venable LLP; Robert
Kinberg; Manni Li

(22) Filed: **Apr. 29, 2005**

(57) **CLAIM**

(51) **LOC (8) Cl.** **07-01**

The ornamental design for a travel cooler and warmer, as
shown and described.

(52) **U.S. Cl.** **D7/605**

(58) **Field of Classification Search** D7/605–608,
D7/709, 710; D15/81; 62/457.1–457.7, 371,
62/372, 3.62, 3.64; 220/592.16, 592.17, 592.2,
220/592.23–592.27, 915.1, 915.2; D12/423,
D12/424

DESCRIPTION

See application file for complete search history.

FIG. 1 is a perspective view from the front-top-right side of
the travel cooler and warmer showing our new design;
FIG. 2 is a front view of the design shown in FIG. 1;
FIG. 3 is a rear view of the design shown in FIG. 1;
FIG. 4 is a left side view of the design shown in FIG. 1;
FIG. 5 is a right side view of the design shown in FIG. 1;
FIG. 6 is a top view of the design shown in FIG. 1; and,
FIG. 7 is a bottom view of the design shown in FIG. 1.

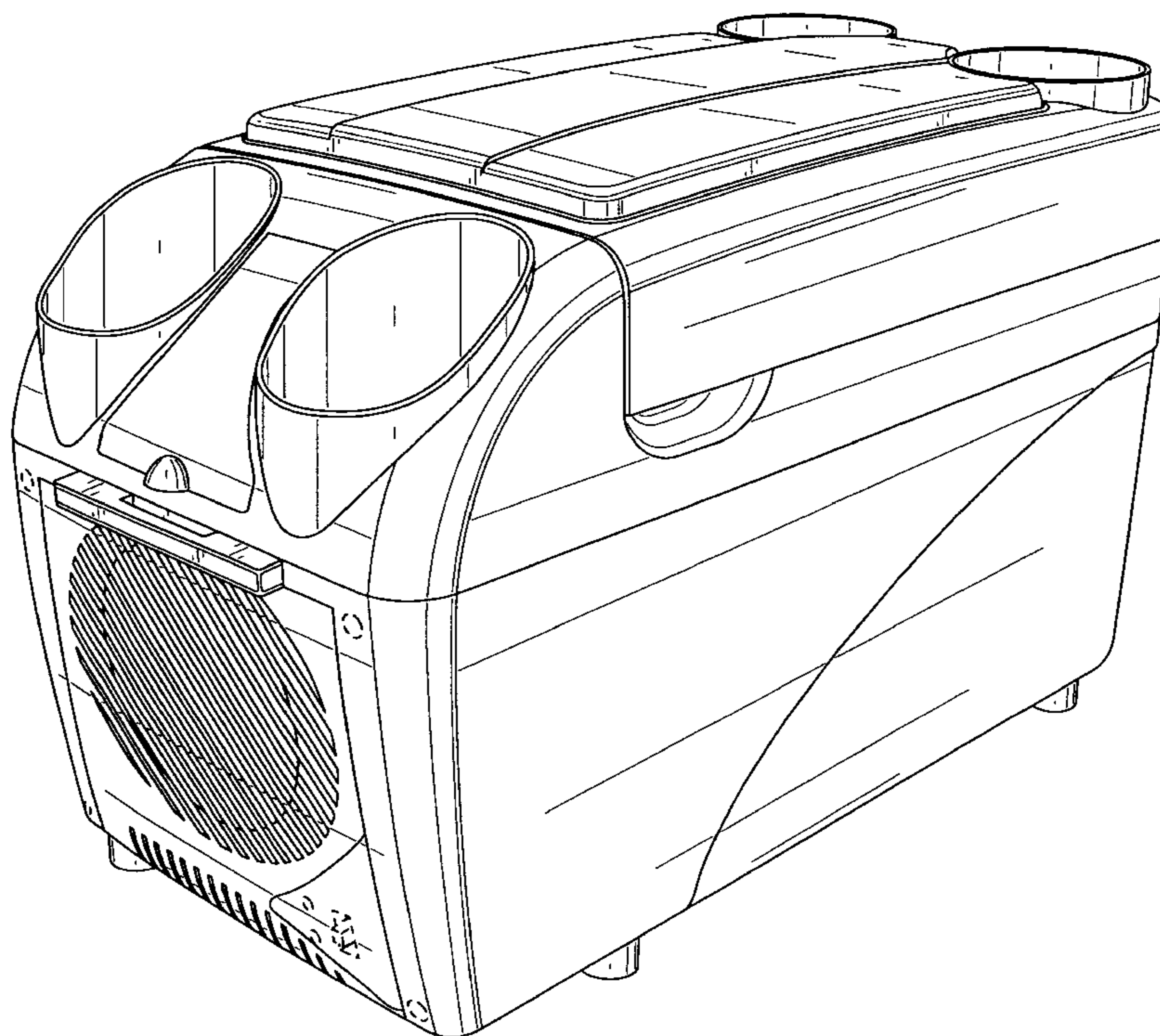
The broken lines immediately adjacent the shaded areas
represent the bounds of the claimed design while all other
broken lines are for illustrative purposes only; the broken
lines form no part of the claimed design.

(56) **References Cited**

U.S. PATENT DOCUMENTS

4,274,262 A * 6/1981 Reed et al. 62/3.64
D400,053 S * 10/1998 Coffee et al. D7/605
D417,126 S * 11/1999 Arnfelt D7/605
D459,636 S * 7/2002 Krieger et al. D7/605
D462,878 S * 9/2002 Krieger D7/605
D463,717 S * 10/2002 Krieger D7/605
D467,468 S * 12/2002 Krieger et al. D7/605

1 Claim, 7 Drawing Sheets



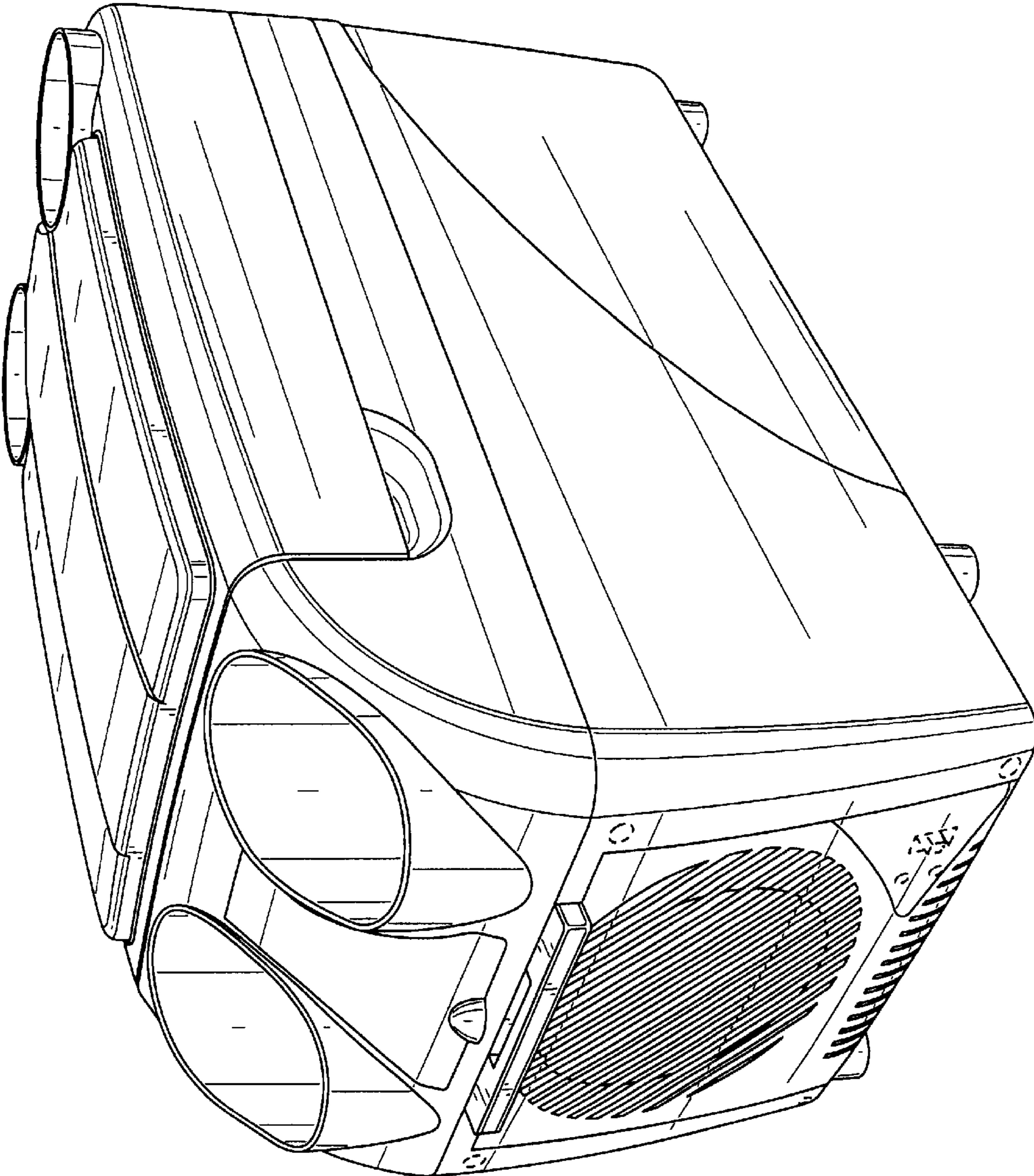


FIG. 1

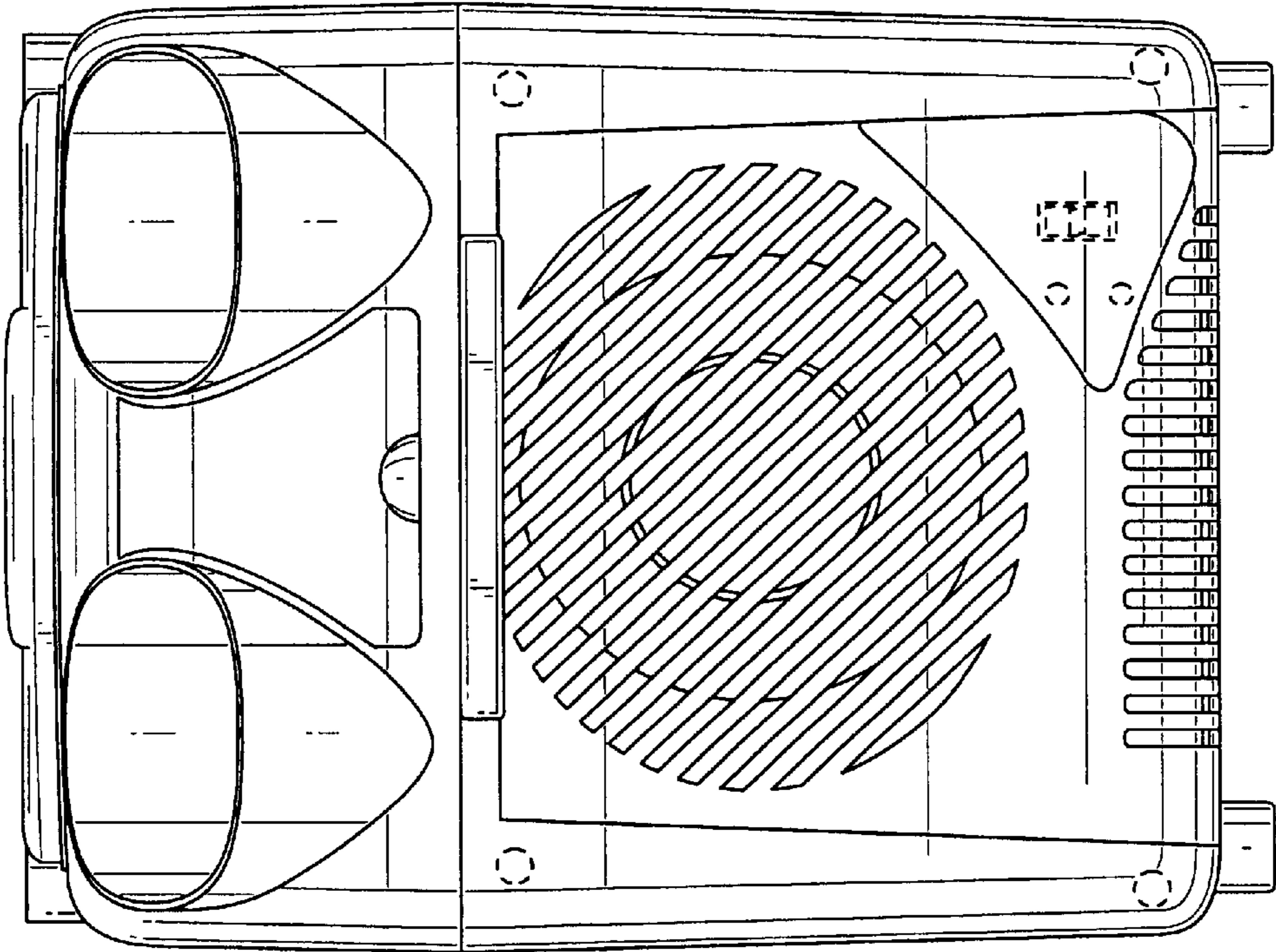


FIG. 2

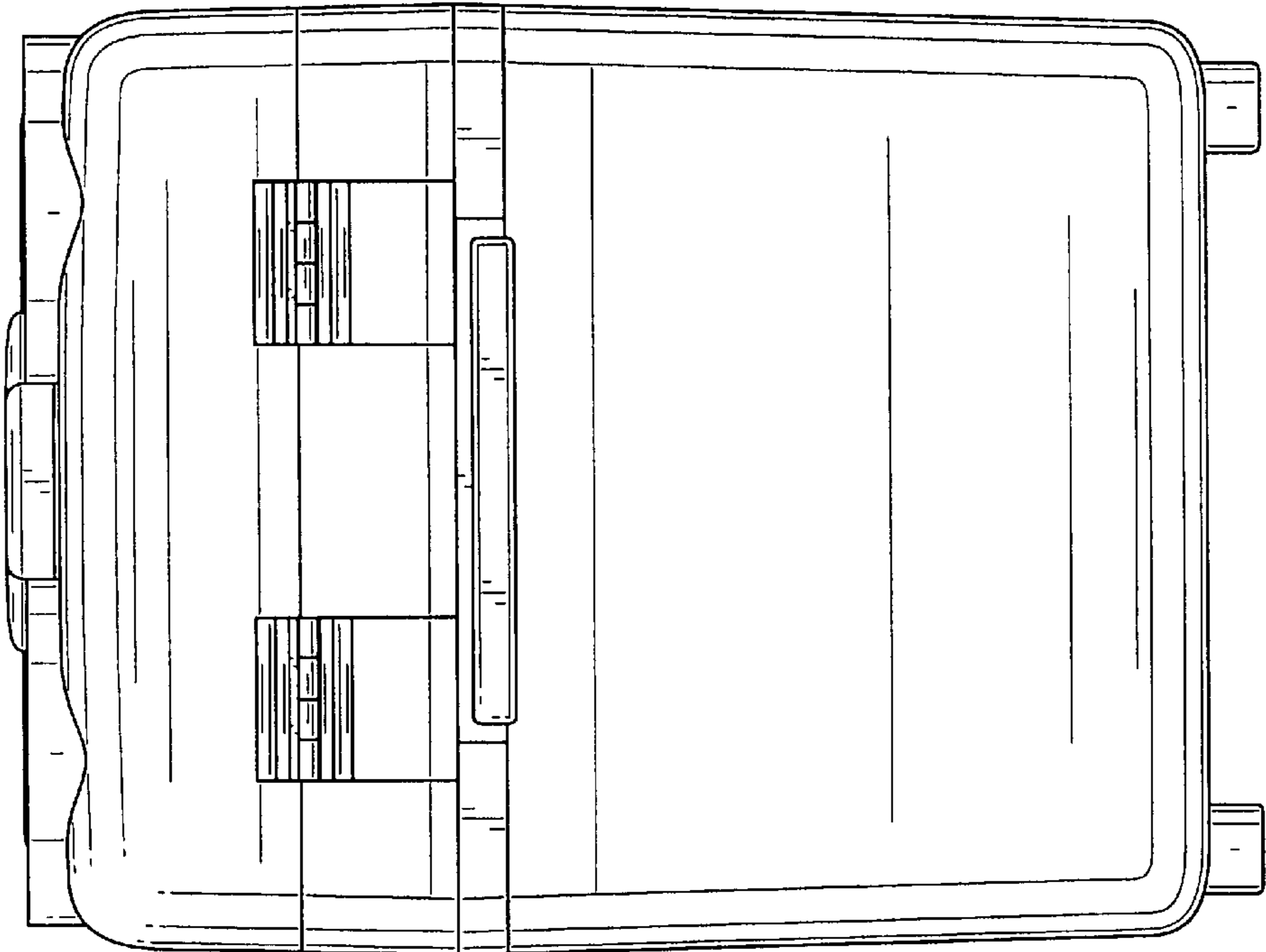


FIG. 3

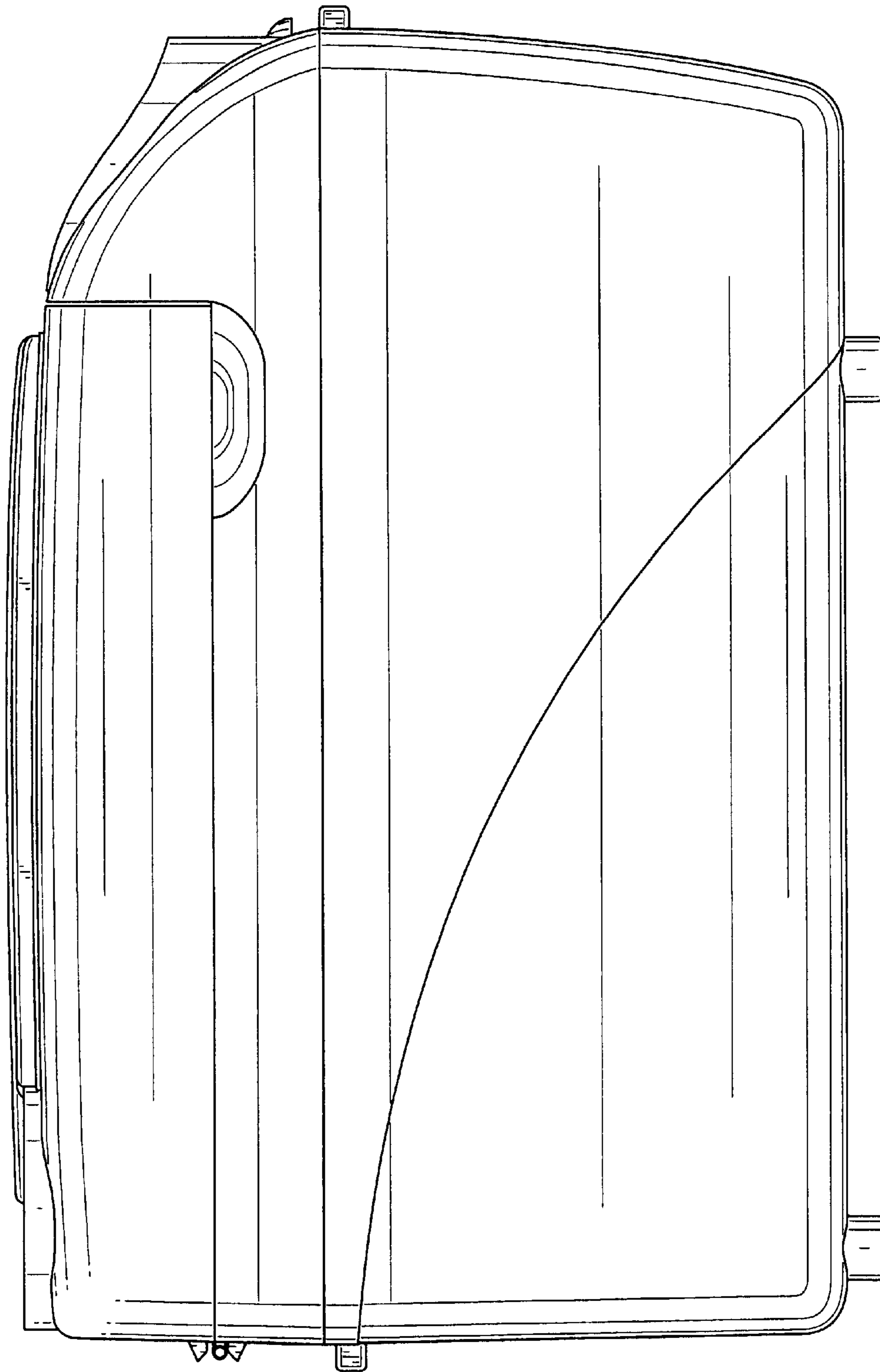


FIG. 4

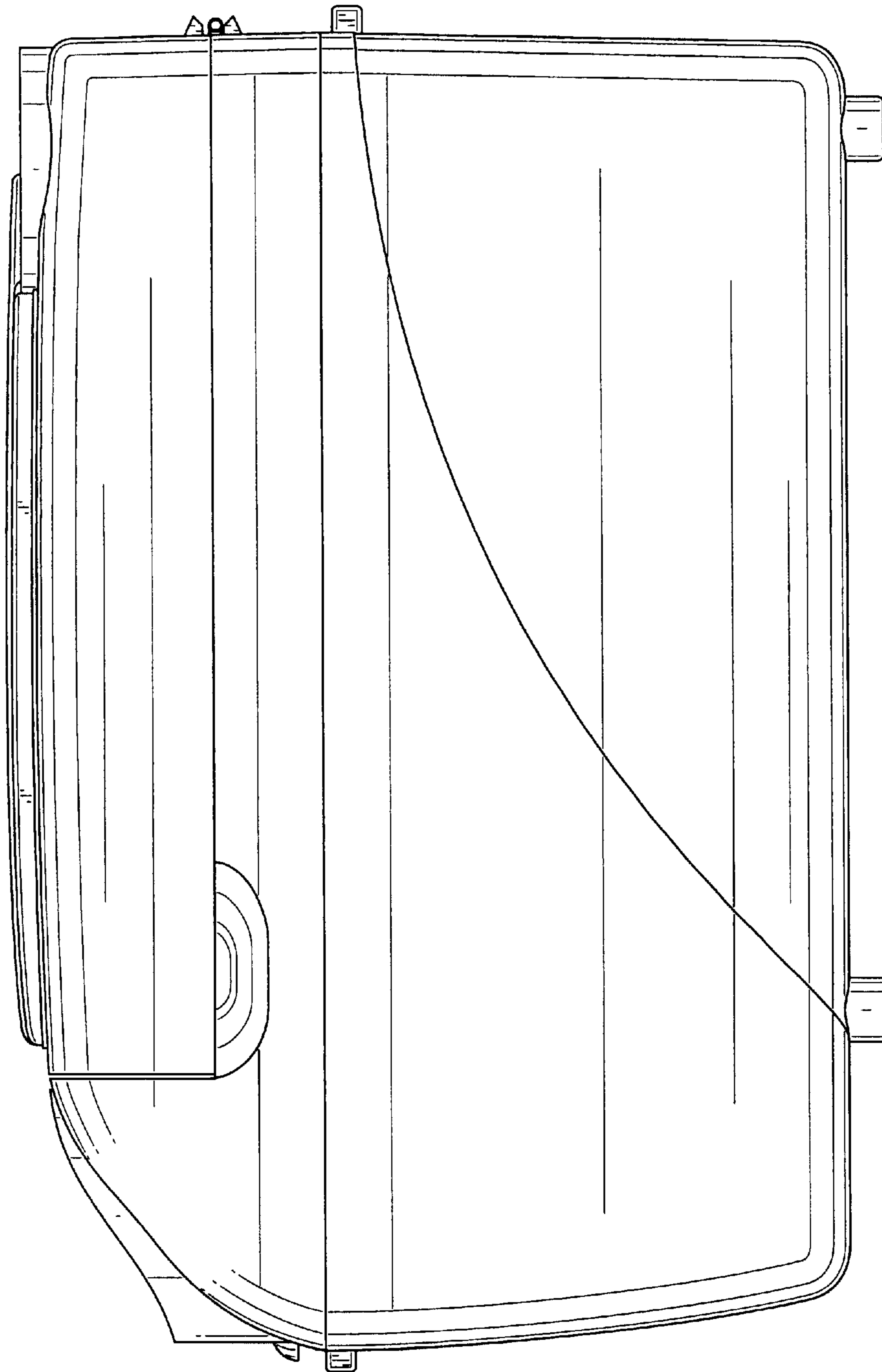


FIG. 5

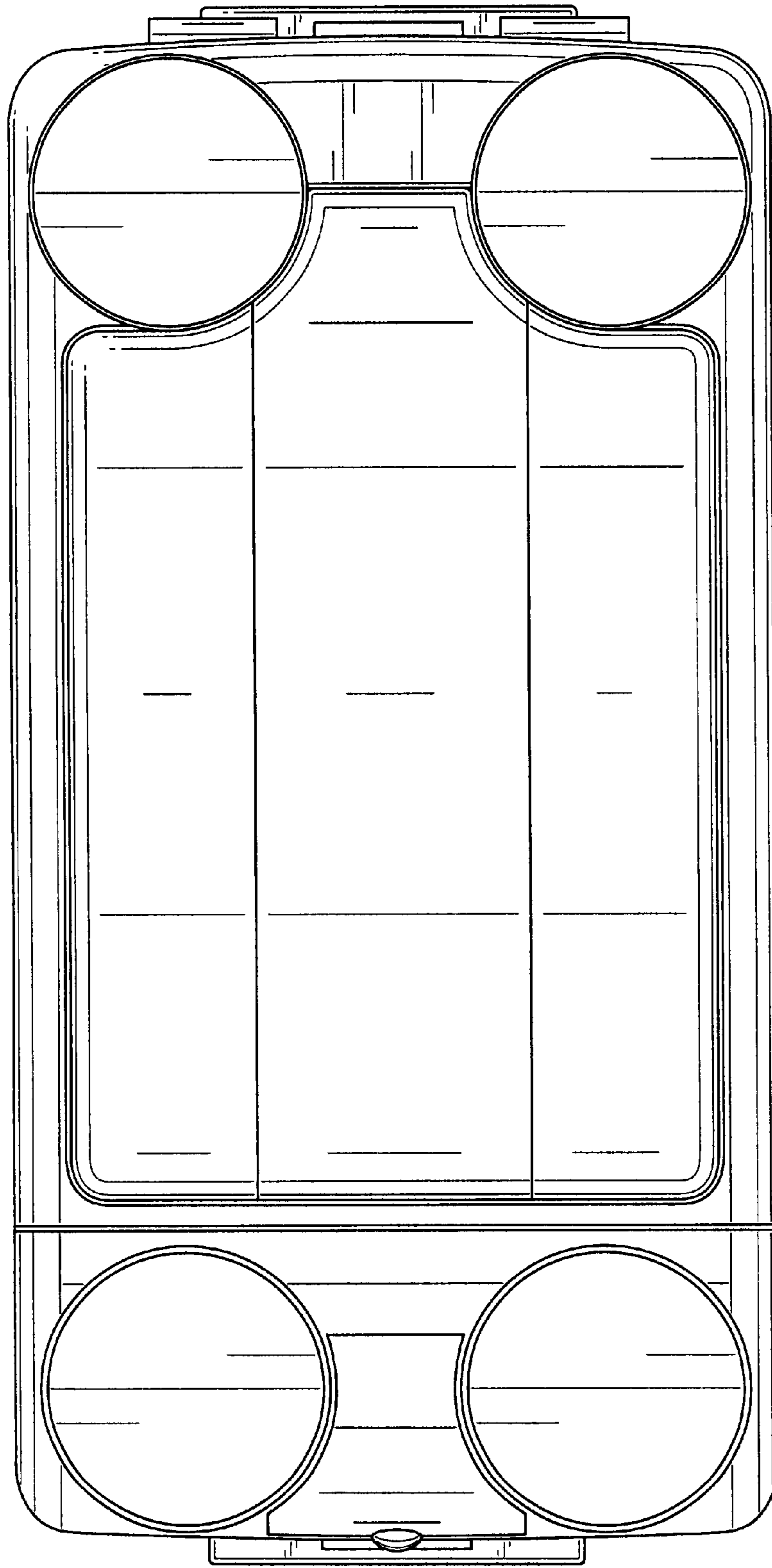


FIG. 6

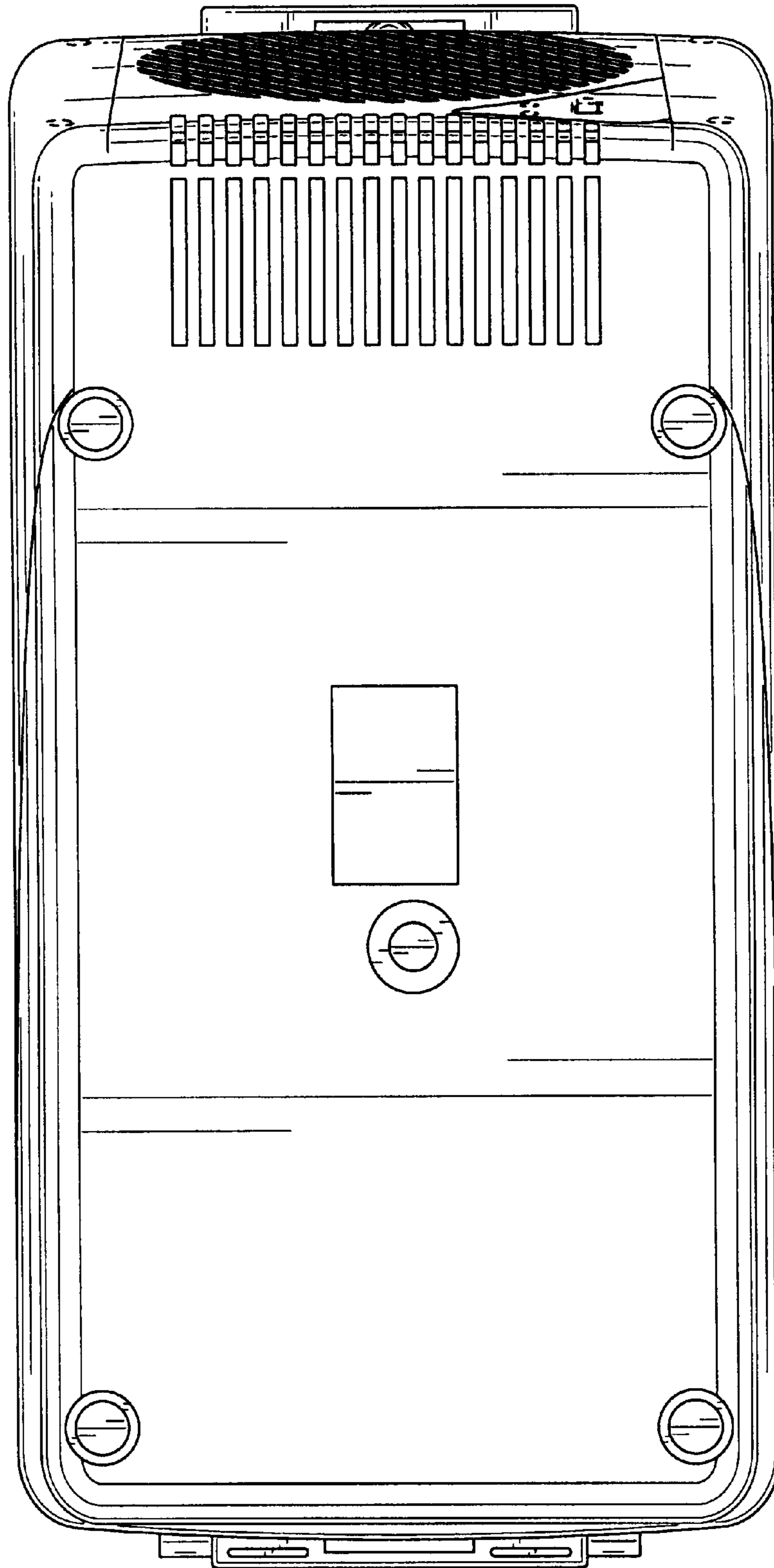


FIG. 7