



US00D523288S

(12) **United States Design Patent**  
**Pierce**

(10) **Patent No.:** **US D523,288 S**

(45) **Date of Patent:** **\*\* Jun. 20, 2006**

(54) **SIX COMPARTMENT CONDIMENT  
HOLDER**

(76) Inventor: **Michael B Pierce**, 7105 Medicine Lake  
Rd., Minneapolis, MN (US) 55427

(\*\*) Term: **14 Years**

(21) Appl. No.: **29/207,357**

(22) Filed: **Jun. 14, 2004**

(51) **LOC (8) Cl.** ..... **07-06**

(52) **U.S. Cl.** ..... **D7/590; D9/737**

(58) **Field of Classification Search** ..... D9/737,  
D9/756, 759, 761, 420, 423, 424; D7/569,  
D7/600.1, 629; D15/89; 206/557-564; 220/574,  
220/575, 23.83, 780-805

See application file for complete search history.

(56) **References Cited**

**U.S. PATENT DOCUMENTS**

D236,881 S \* 9/1975 Mitchell ..... D9/759  
D269,934 S \* 8/1983 Hawkins et al. .... D7/590  
D286,730 S \* 11/1986 Tzifkansky et al. .... D15/89

D312,781 S \* 12/1990 Rigby ..... D9/420  
D332,895 S \* 2/1993 Salzmann ..... D7/590  
D375,228 S \* 11/1996 Rhodes ..... D7/590  
D462,240 S \* 9/2002 Omdoll ..... D7/590  
D477,188 S \* 7/2003 Faria ..... D7/590

\* cited by examiner

*Primary Examiner*—Stella Reid

*Assistant Examiner*—Mark Goodwin

(74) *Attorney, Agent, or Firm*—Herman H. Bains

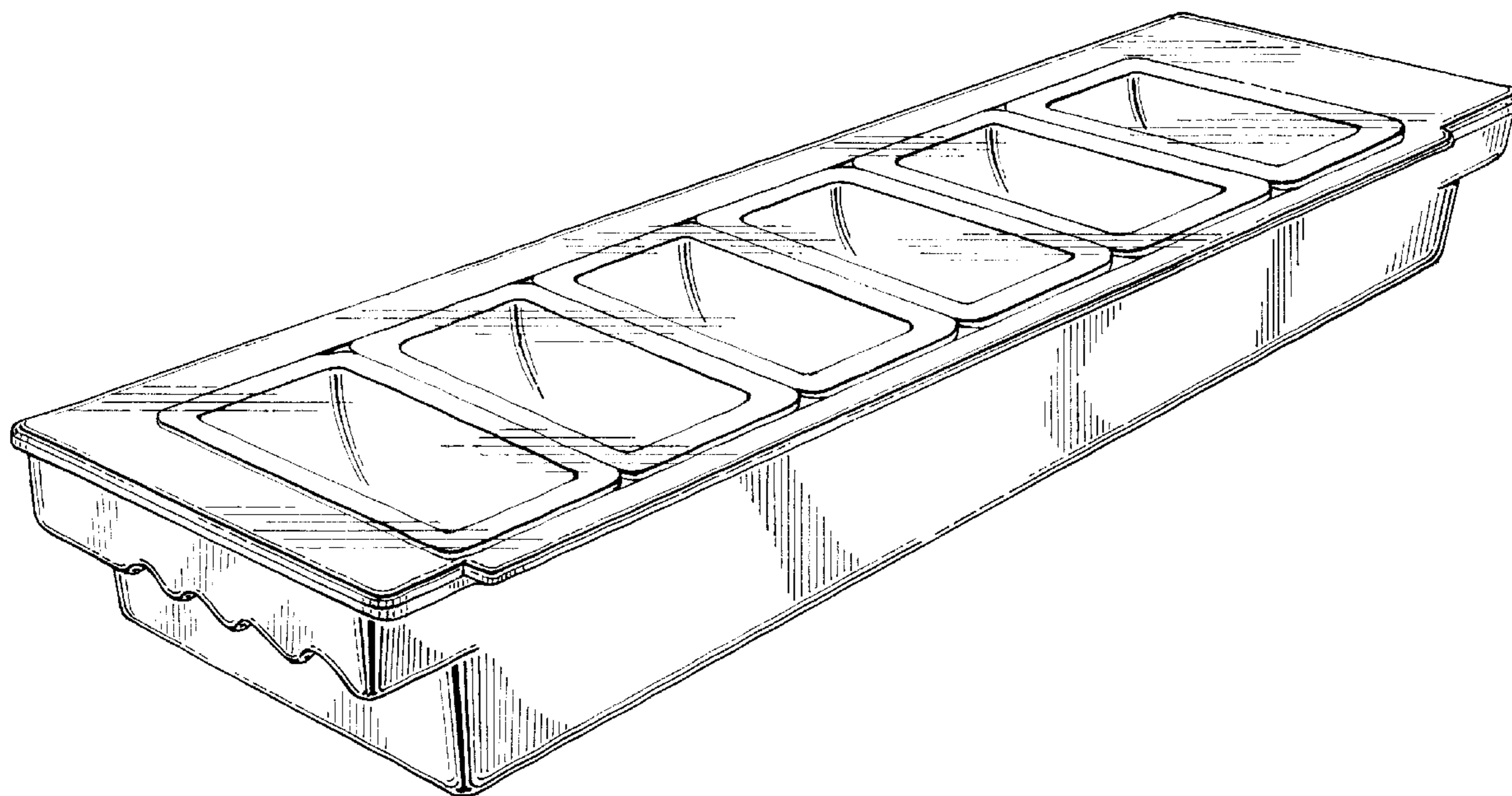
(57) **CLAIM**

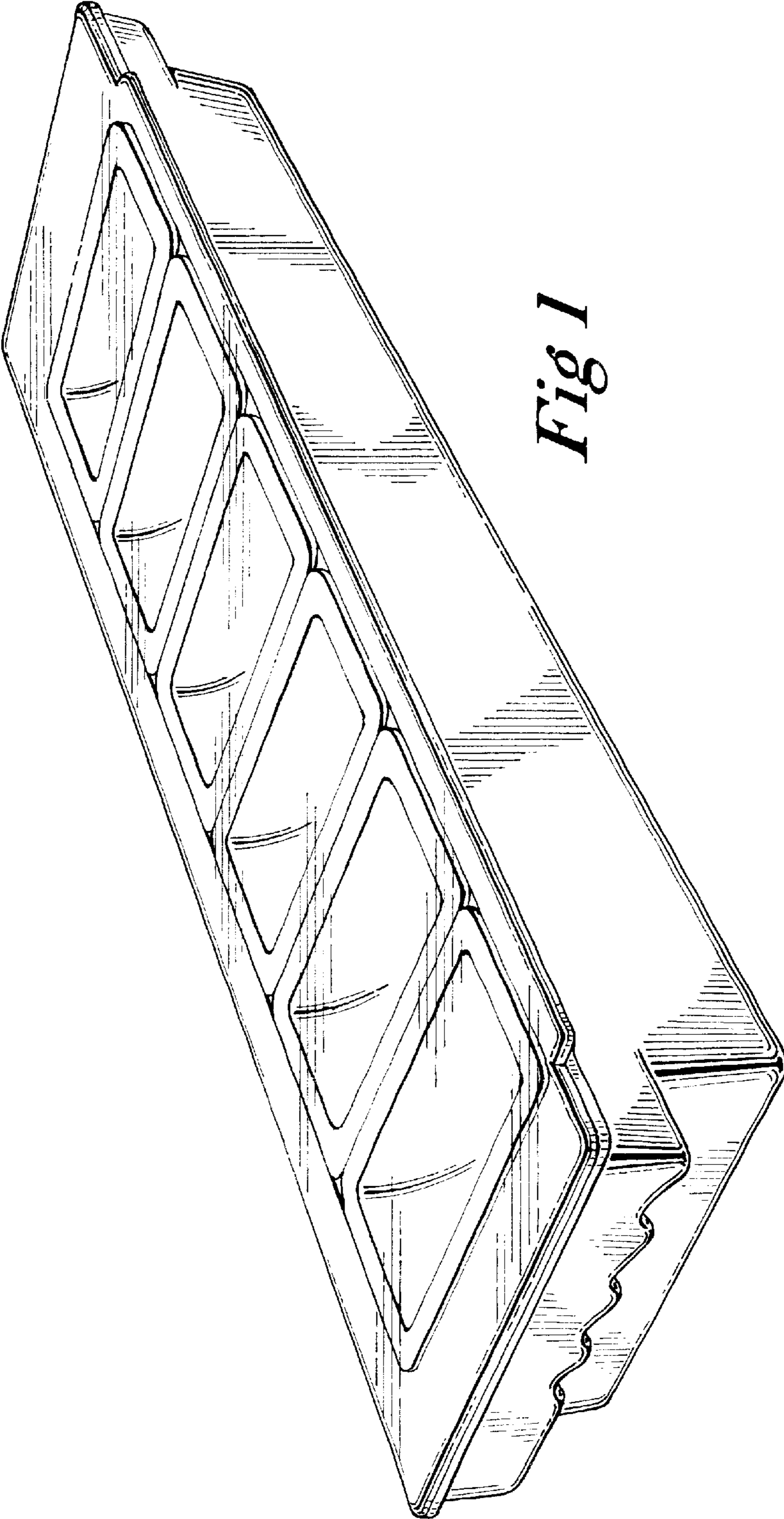
The ornamental design for a six compartment condiment  
holder, as shown and described.

**DESCRIPTION**

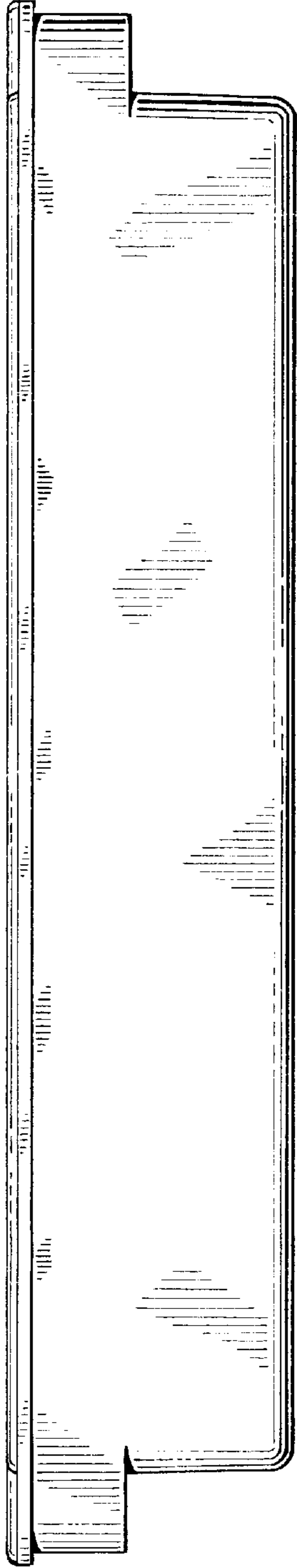
FIG. 1 is a perspective view of a six compartment condiment  
holder embodying the novel design;  
FIG. 2 is a side elevational view thereof;  
FIG. 3 is a top plan view thereof;  
FIG. 4 is a bottom plan view thereof; and,  
FIG. 5 is an end view, the opposite end being a mirror image  
thereof.

**1 Claim, 3 Drawing Sheets**

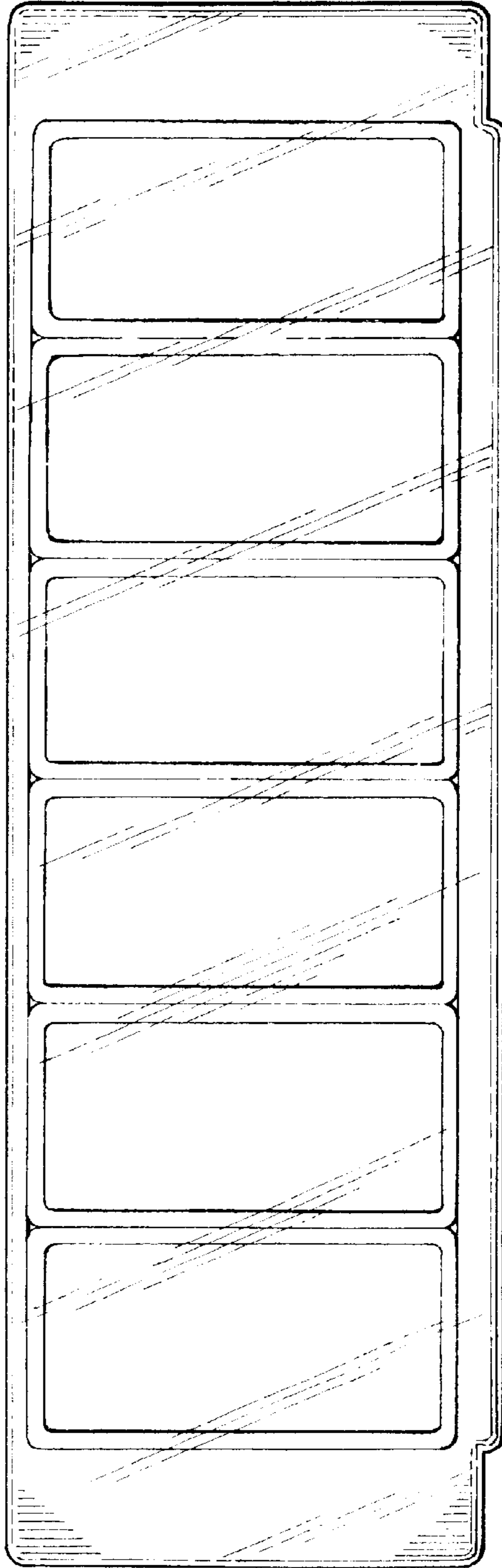




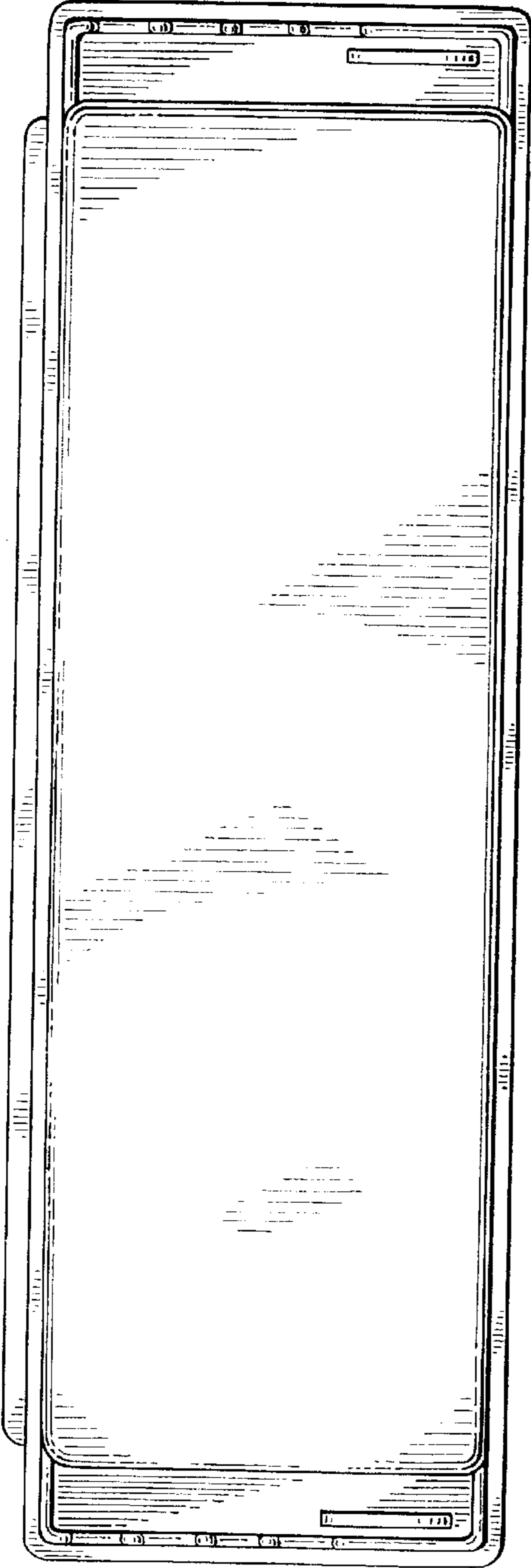
*Fig 1*



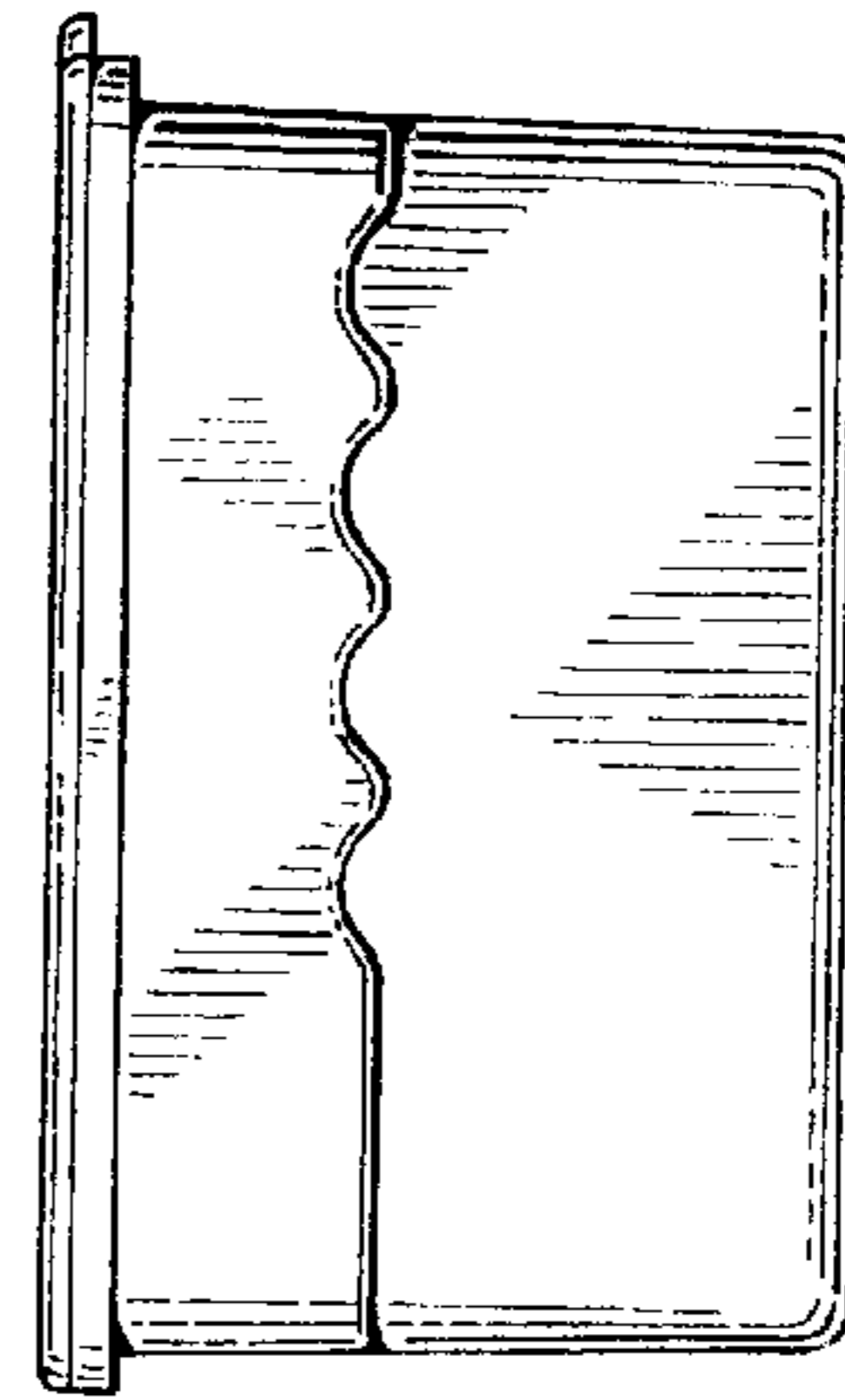
*Fig 2*



*Fig 3*



*Fig 4*



*Fig 5*