



US00D523285S

(12) **United States Design Patent**
Wells, Sr.

(10) **Patent No.:** **US D523,285 S**
(45) **Date of Patent:** **** Jun. 20, 2006**

(54) **CHAFER**

(75) Inventor: **Thomas E. Wells, Sr.**, Chadds Ford, PA (US)

(73) Assignee: **Candle Corporation of America**, Des Plaines, IL (US)

(**) Term: **14 Years**

(21) Appl. No.: **29/221,901**

(22) Filed: **Jan. 21, 2005**

(51) **LOC (8) Cl.** **07-02**

(52) **U.S. Cl.** **D7/355**

(58) **Field of Classification Search** D7/323,
D7/354-361, 365-367, 388, 538; 219/451.1,
219/429-438, 620-622; 220/252, 573.1,
220/573.2, 573.6, 574, 694; 126/263, 390,
126/33; 248/147; 206/219-222; 426/112-114;
99/324, 339, 340, 357, 483, 449

See application file for complete search history.

(56) **References Cited**

U.S. PATENT DOCUMENTS

D127,906 S	*	6/1941	Faunce	D7/352
D207,861 S	*	6/1967	Felske	D7/360
3,683,889 A		8/1972	Hoffman		
4,510,919 A		4/1985	Benmussa		
4,559,921 A	*	12/1985	Benmussa	126/263.09
4,762,113 A		8/1988	Hamasaki		
4,771,761 A		9/1988	Doukhan et al.		
4,809,673 A		3/1989	Charvin		
4,823,769 A		4/1989	Semaan		
4,867,131 A		9/1989	van der Merwe et al.		
5,035,230 A		7/1991	Steidl et al.		
D321,625 S	*	11/1991	Dobson et al.	D7/360
5,220,909 A		6/1993	Pickard et al.		
5,295,475 A		3/1994	Kaneko		
D349,421 S	*	8/1994	Goad	D7/366
5,355,869 A		10/1994	Pickard		
5,390,659 A		2/1995	Scaringe et al.		
D358,292 S	*	5/1995	Goad	D7/366
D366,592 S	*	1/1996	Cesaroni et al.	D7/360
5,486,371 A		1/1996	Chen		
5,517,981 A		5/1996	Taub		
5,611,329 A		3/1997	Lamensdorf		
5,935,486 A		8/1999	Bell et al.		

D414,982 S	*	10/1999	Hopkins et al.	D7/362
D441,251 S	*	5/2001	Drumm	D7/366
6,248,257 B1		6/2001	Bell et al.		
D468,580 S	*	1/2003	Ruiseco	D7/355
6,539,935 B1		4/2003	Ichikawa		
D480,908 S	*	10/2003	Krasne	D7/354
D509,098 S	*	9/2005	Steinberg et al.	D7/352
D510,677 S	*	10/2005	Steinberg et al.	D7/352

FOREIGN PATENT DOCUMENTS

EP		1 166 699		1/2002
WO		WO 92/00493		1/1992

* cited by examiner

Primary Examiner—Janice E. Seeger

Assistant Examiner—Ricky Pham

(74) *Attorney, Agent, or Firm*—Marshall, Gerstein & Borun LLP

(57) **CLAIM**

The ornamental design for a chafer, as shown and described.

DESCRIPTION

FIG. 1 is a front perspective view of a chafer showing my new design;

FIG. 2 is a top plan view of FIG. 1 thereof;

FIG. 3 is a front elevation view of FIG. 1 thereof;

FIG. 4 is a right side elevation view of FIG. 1, the left side elevation view being a mirror image thereof;

FIG. 5 is a rear elevation view of FIG. 1 thereof;

FIG. 6 is a partially exploded perspective view of FIG. 1;

FIG. 7 is a front perspective view of a chafer showing a second embodiment of my new design;

FIG. 8 is a top plan view of FIG. 7 thereof;

FIG. 9 is a front elevation view of FIG. 7 thereof;

FIG. 10 is a right side elevation view of FIG. 7, the left side elevation view being a mirror image thereof;

FIG. 11 is a rear elevation view of FIG. 7 thereof;

FIG. 12 is a partially exploded perspective view of FIG. 7; and,

FIG. 13 is a bottom perspective view of FIGS. 1 and 7 showing my new design.

The broken lines in the drawings are for illustrative purposes only and form no part of the claimed design.

1 Claim, 7 Drawing Sheets

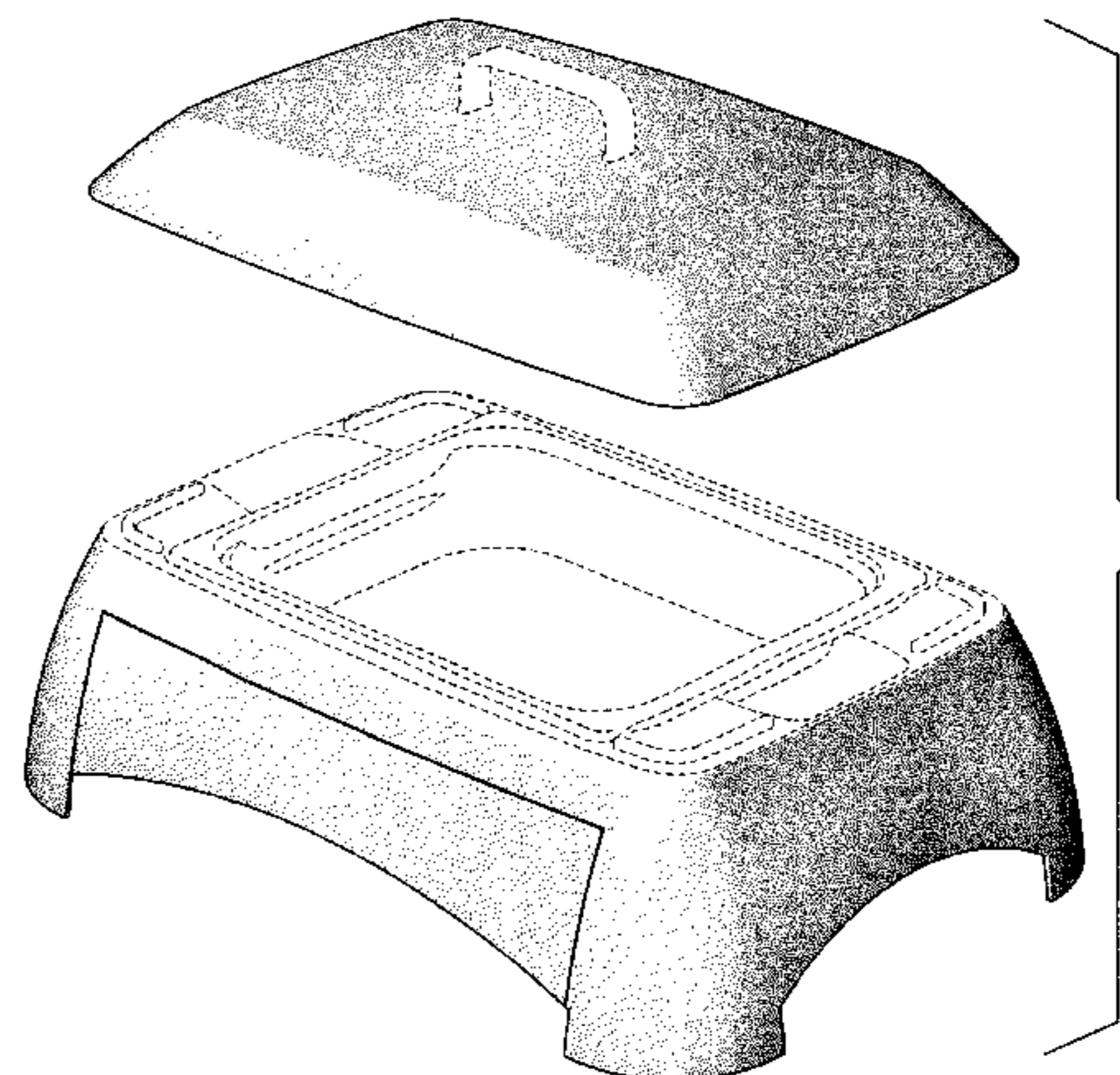
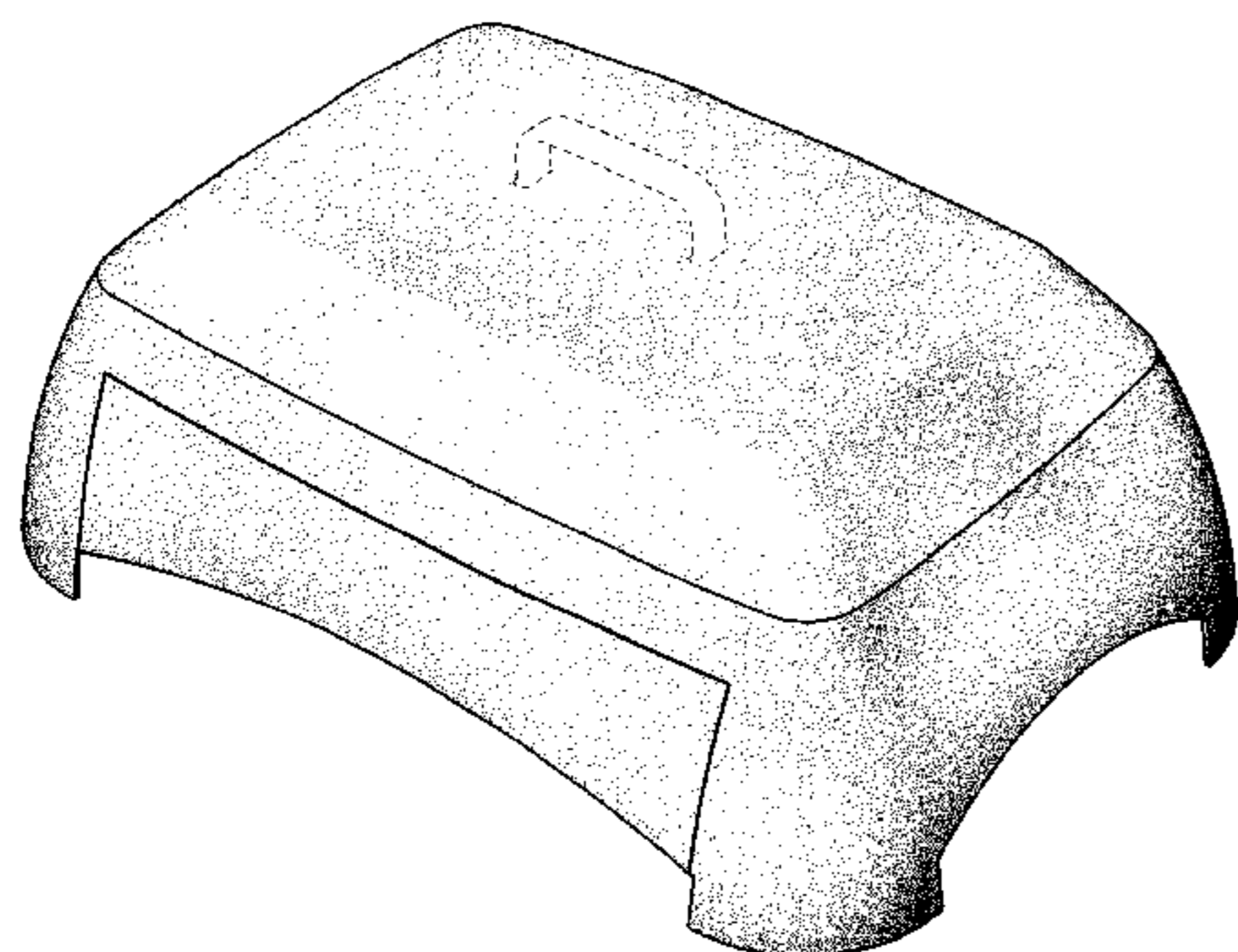


FIG. 1

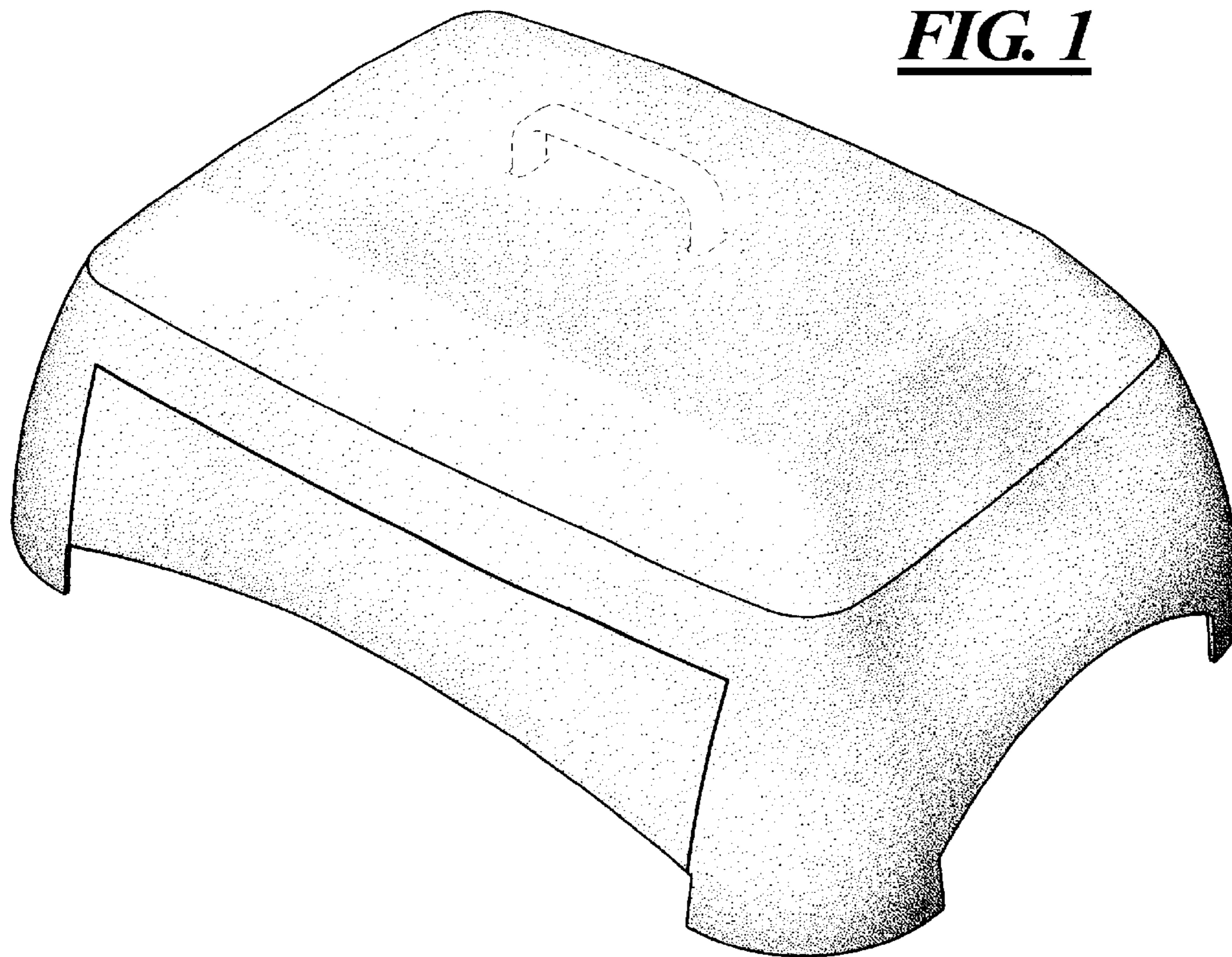


FIG. 2

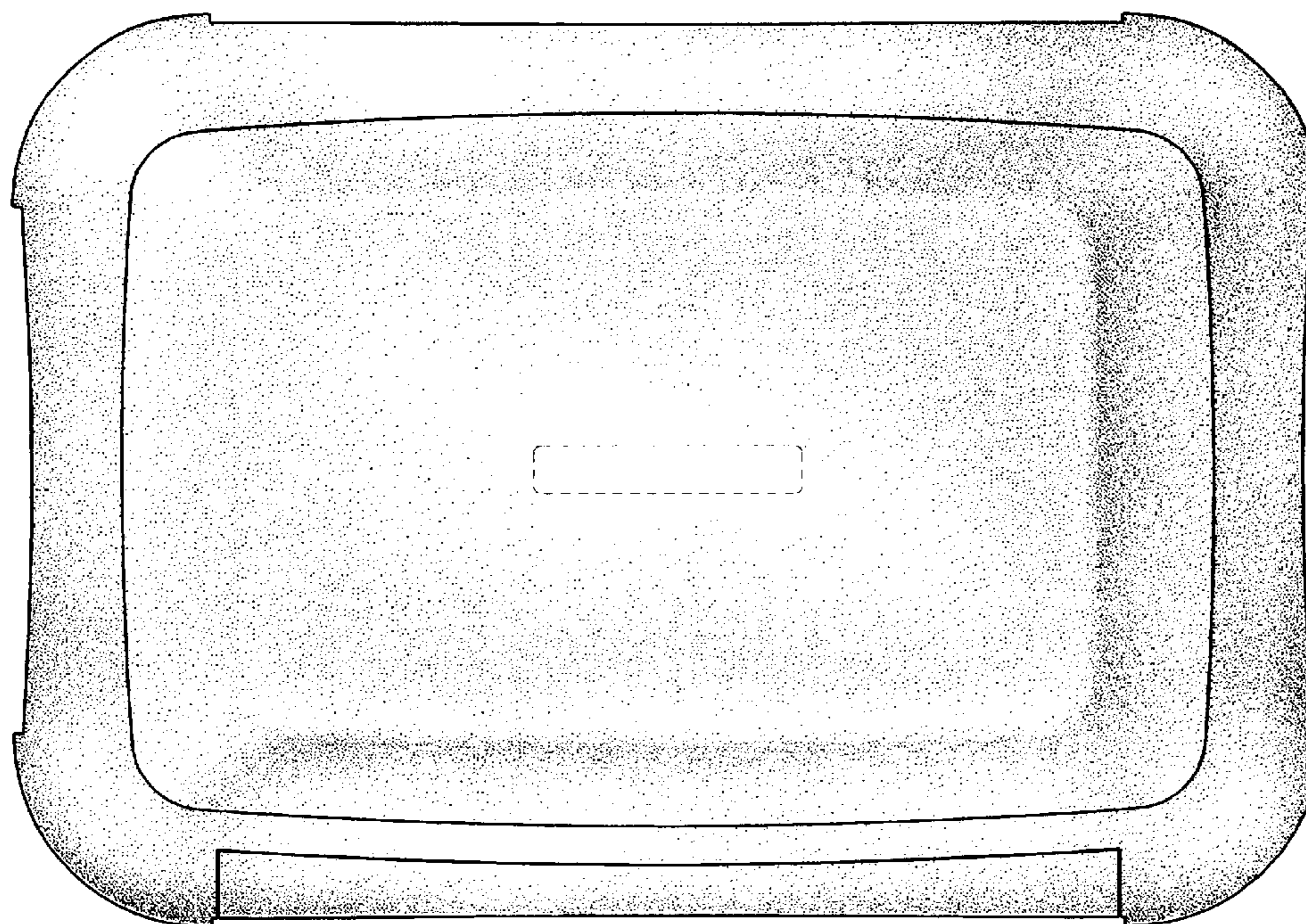


FIG. 3

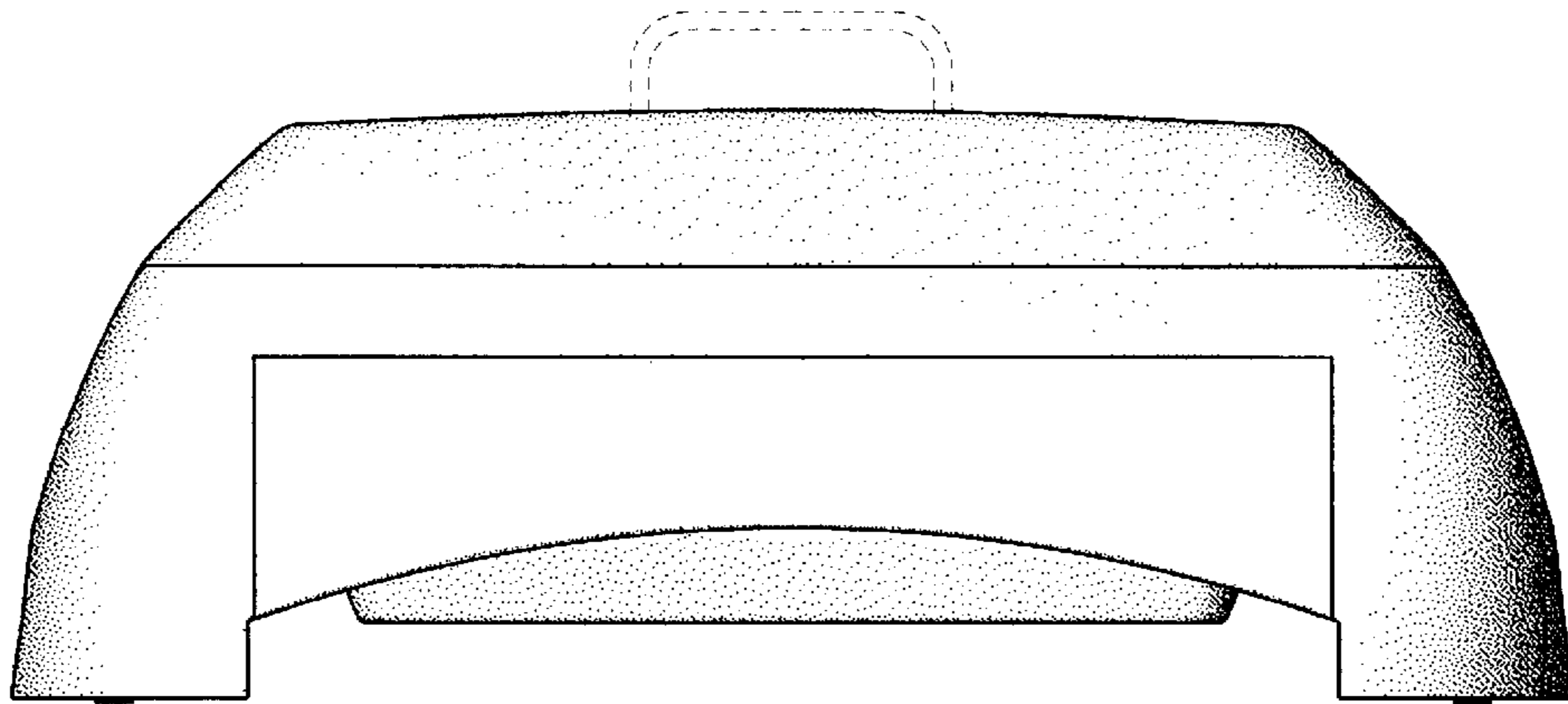


FIG. 4

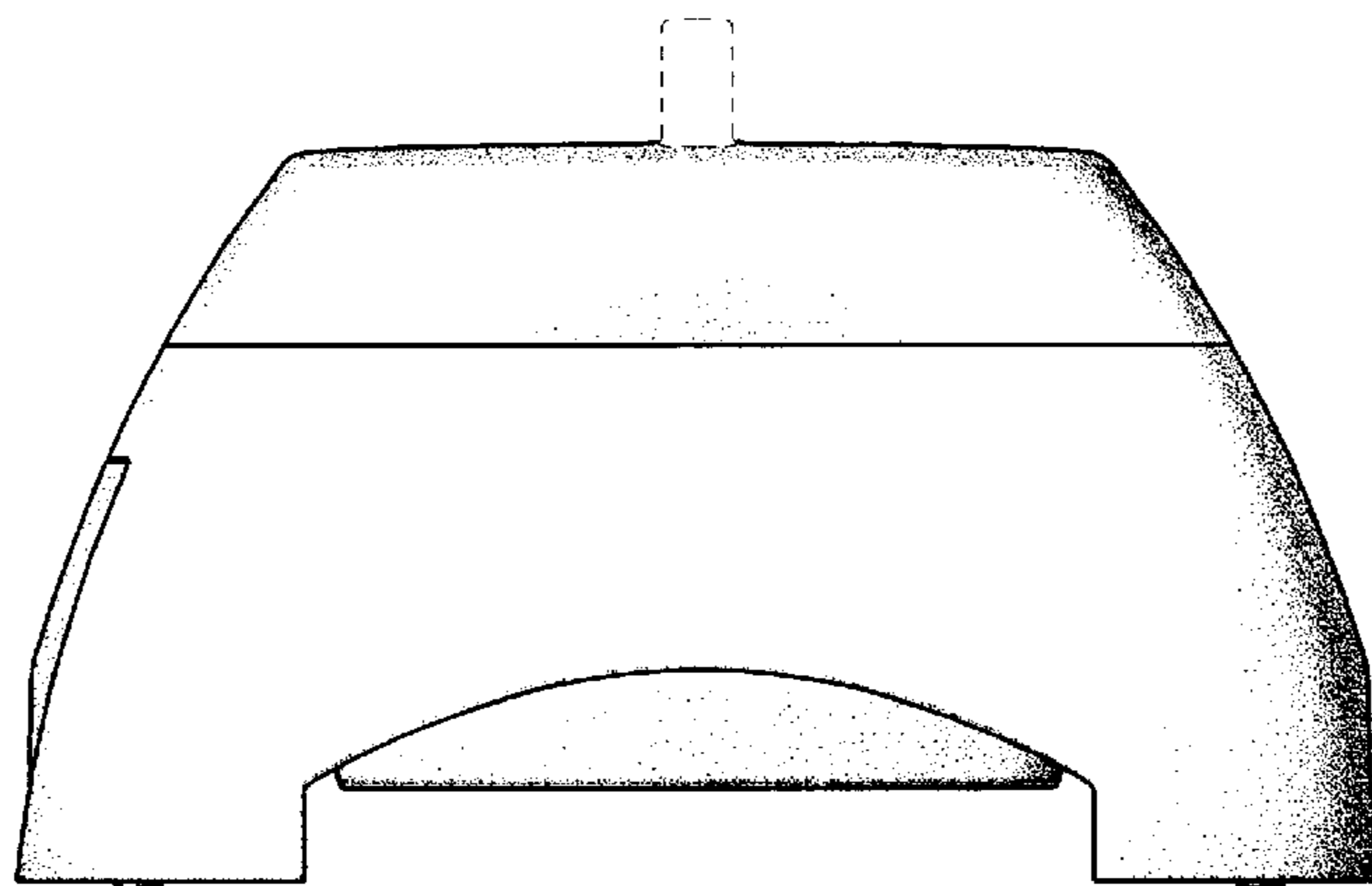


FIG. 5

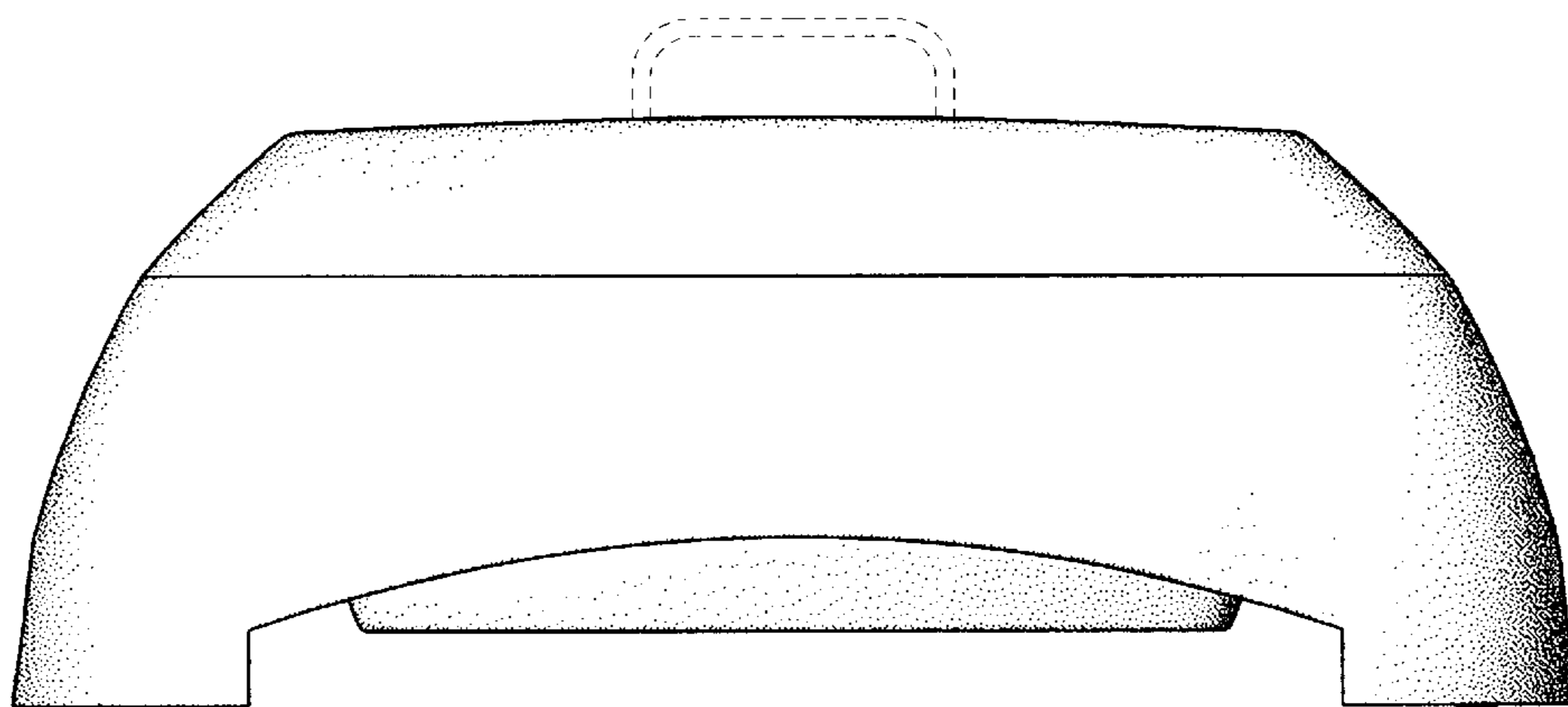
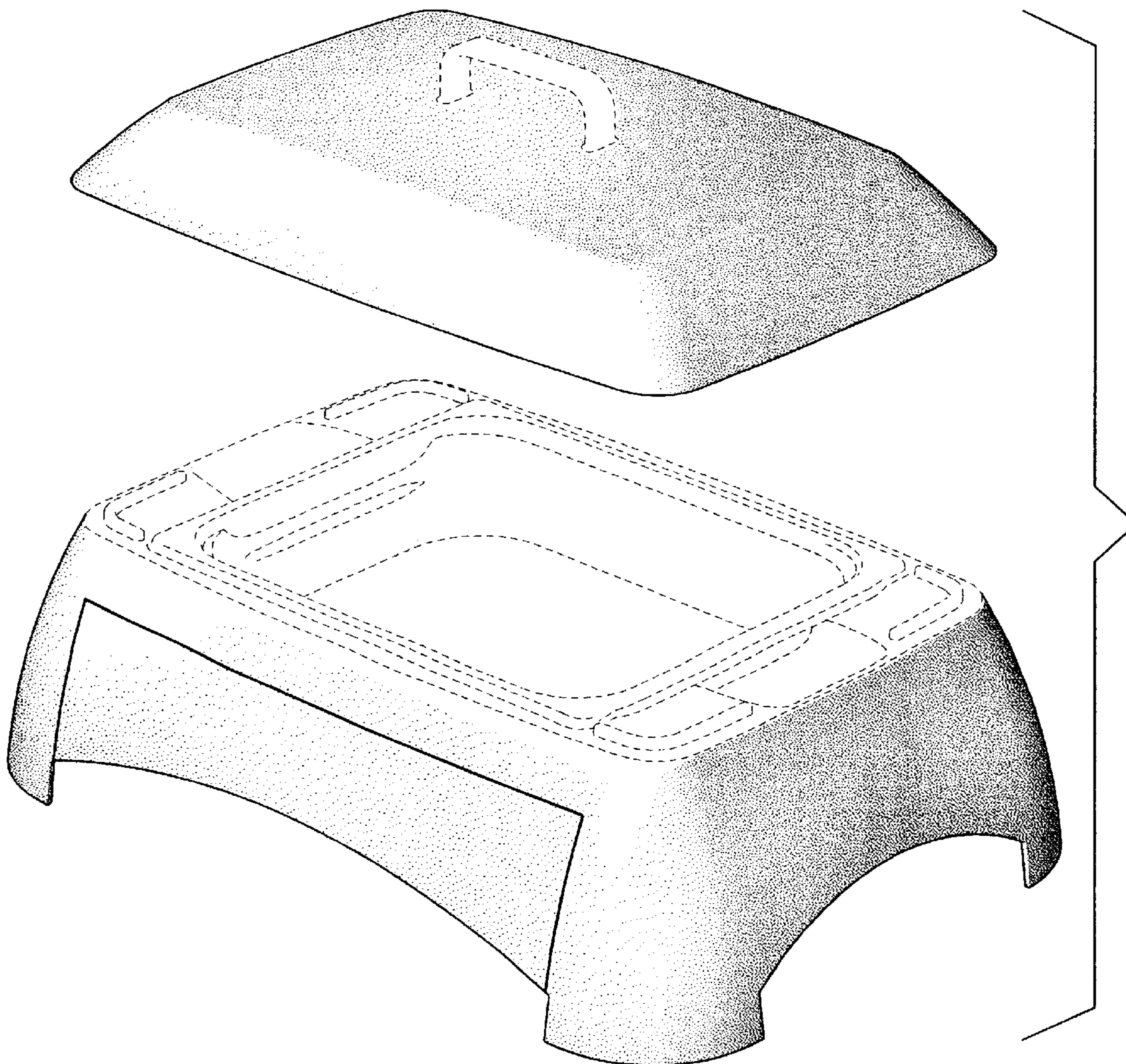


FIG. 6



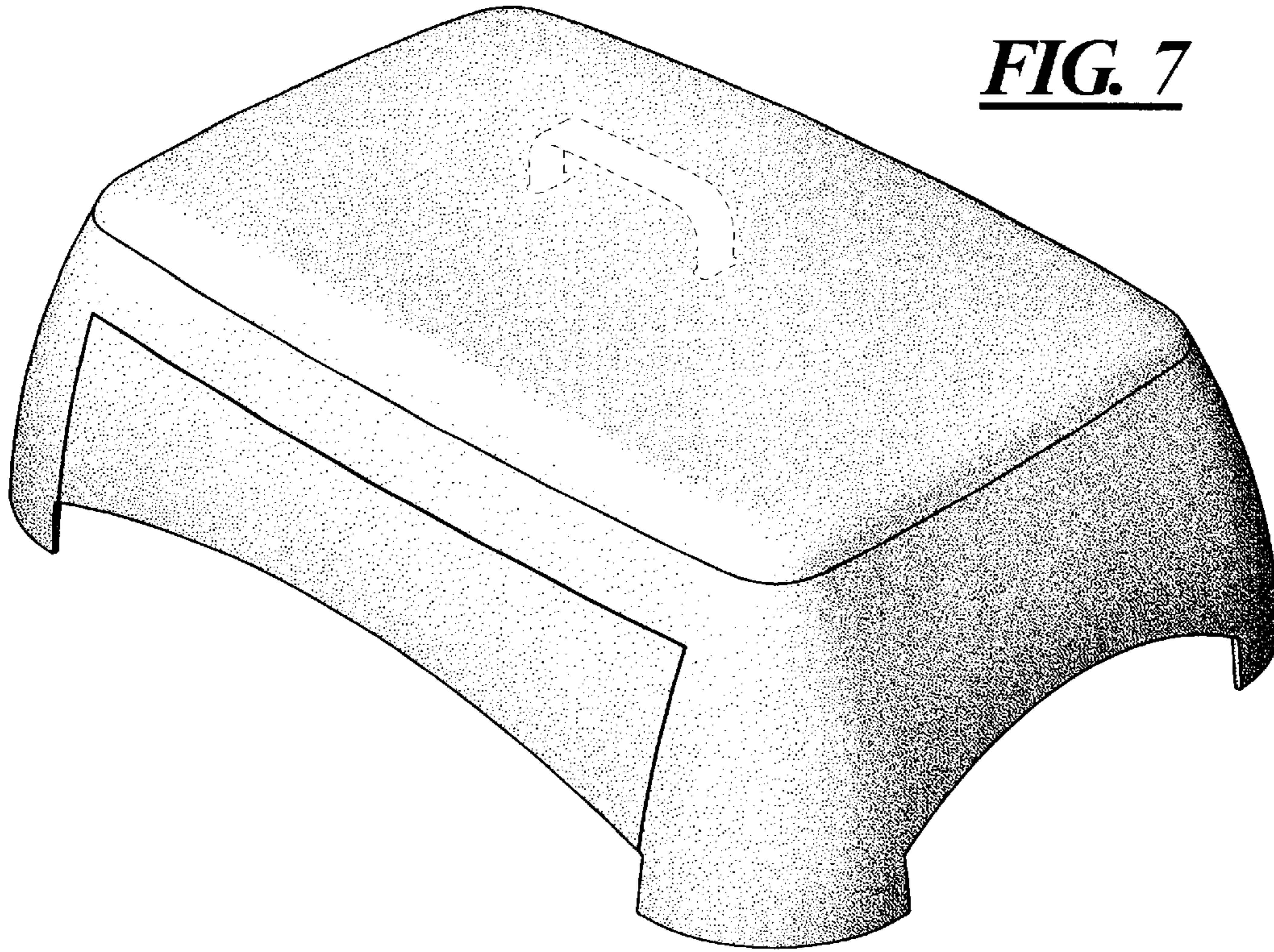


FIG. 7

FIG. 8

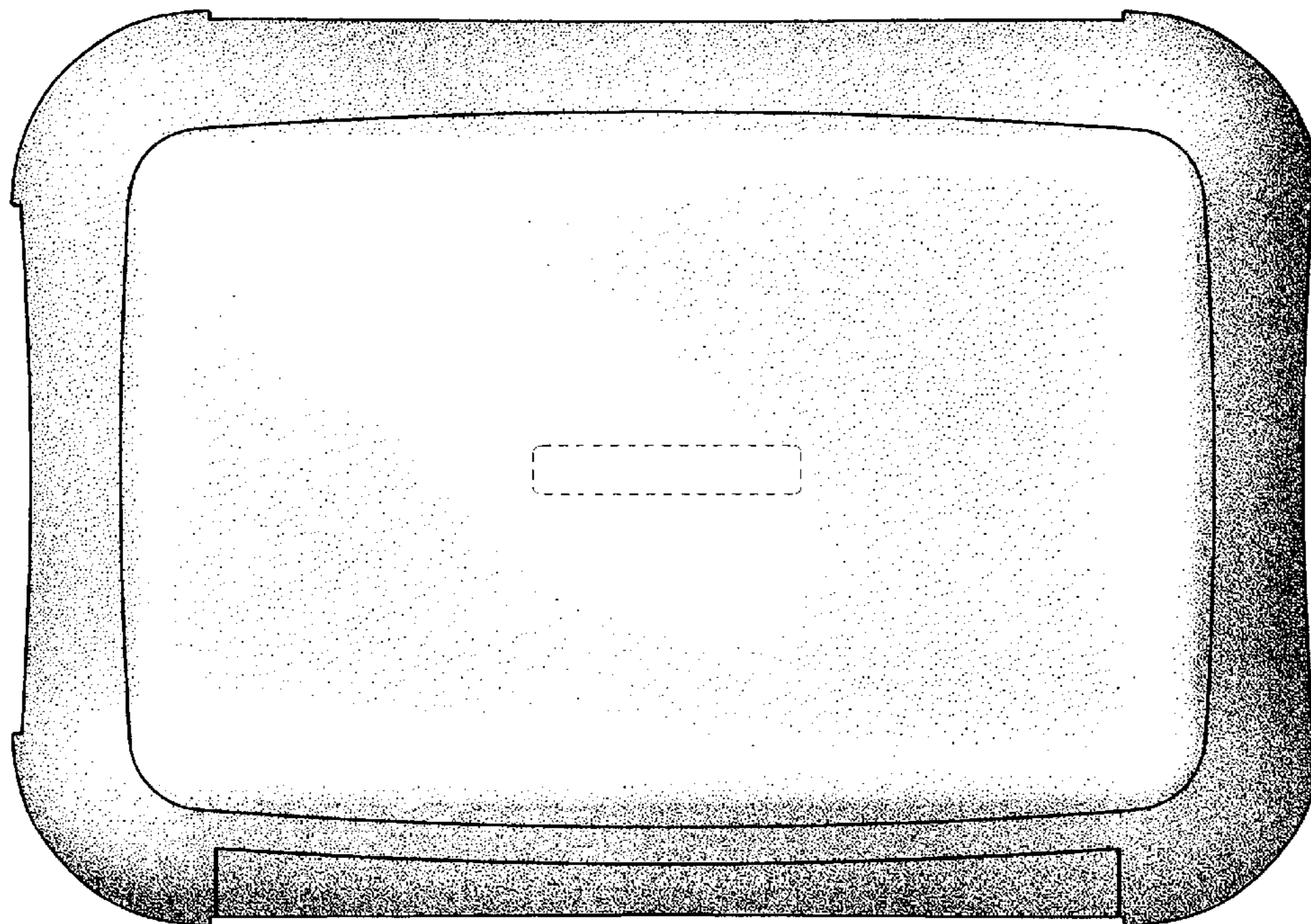


FIG. 9

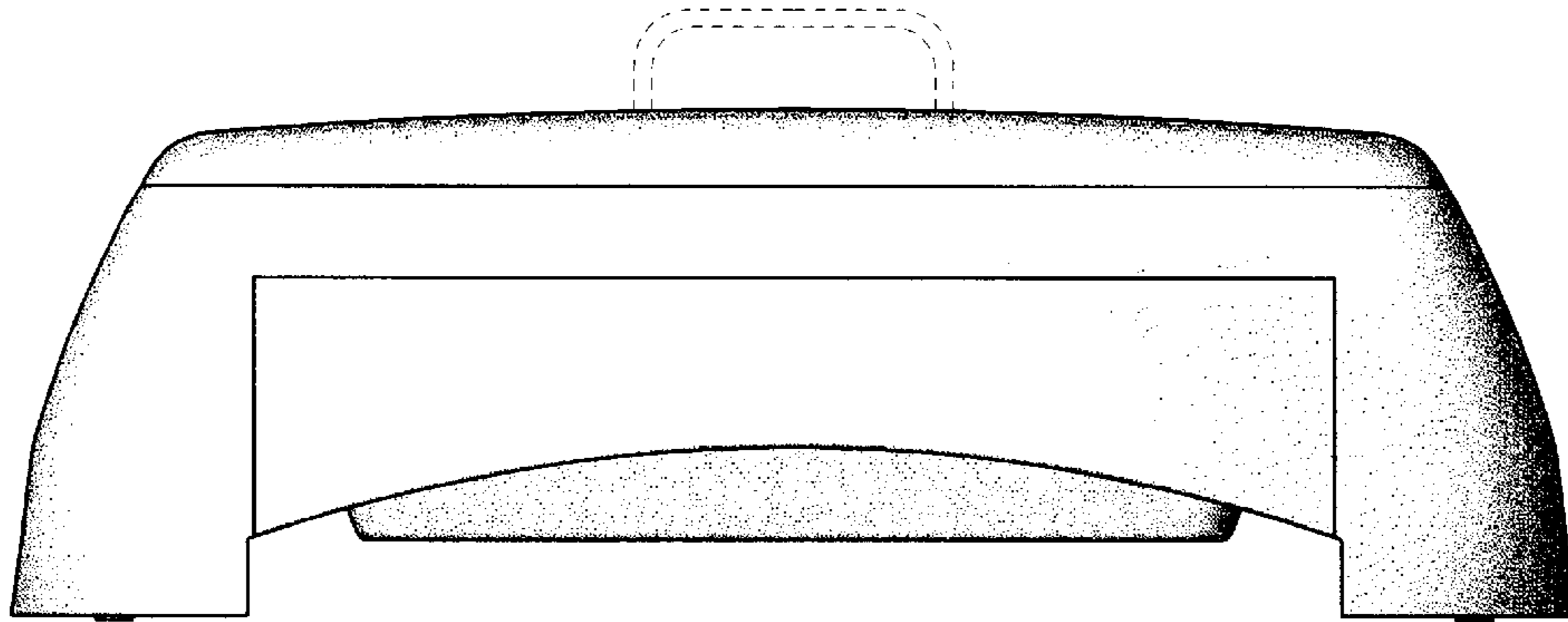


FIG. 10

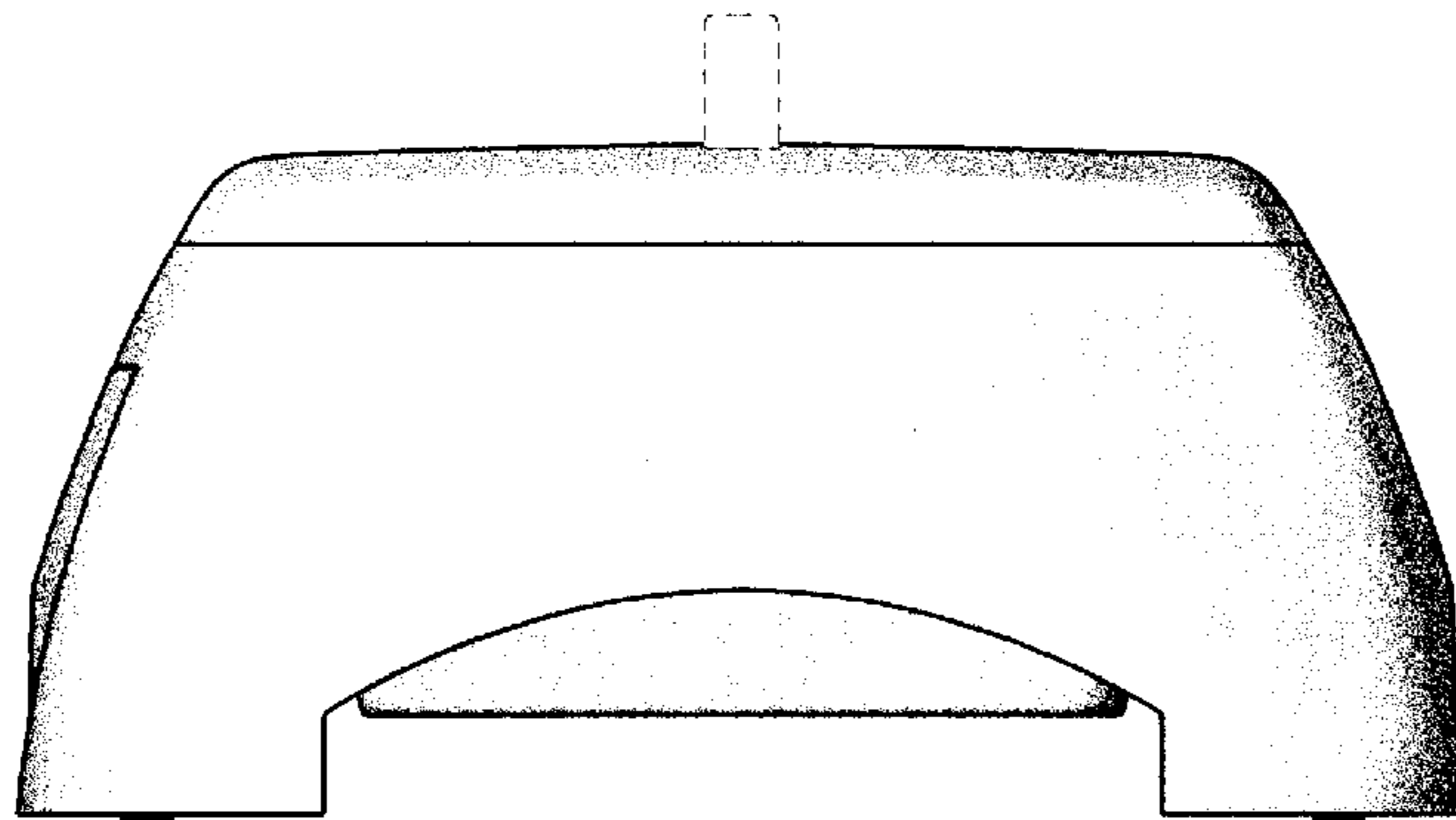


FIG. 11

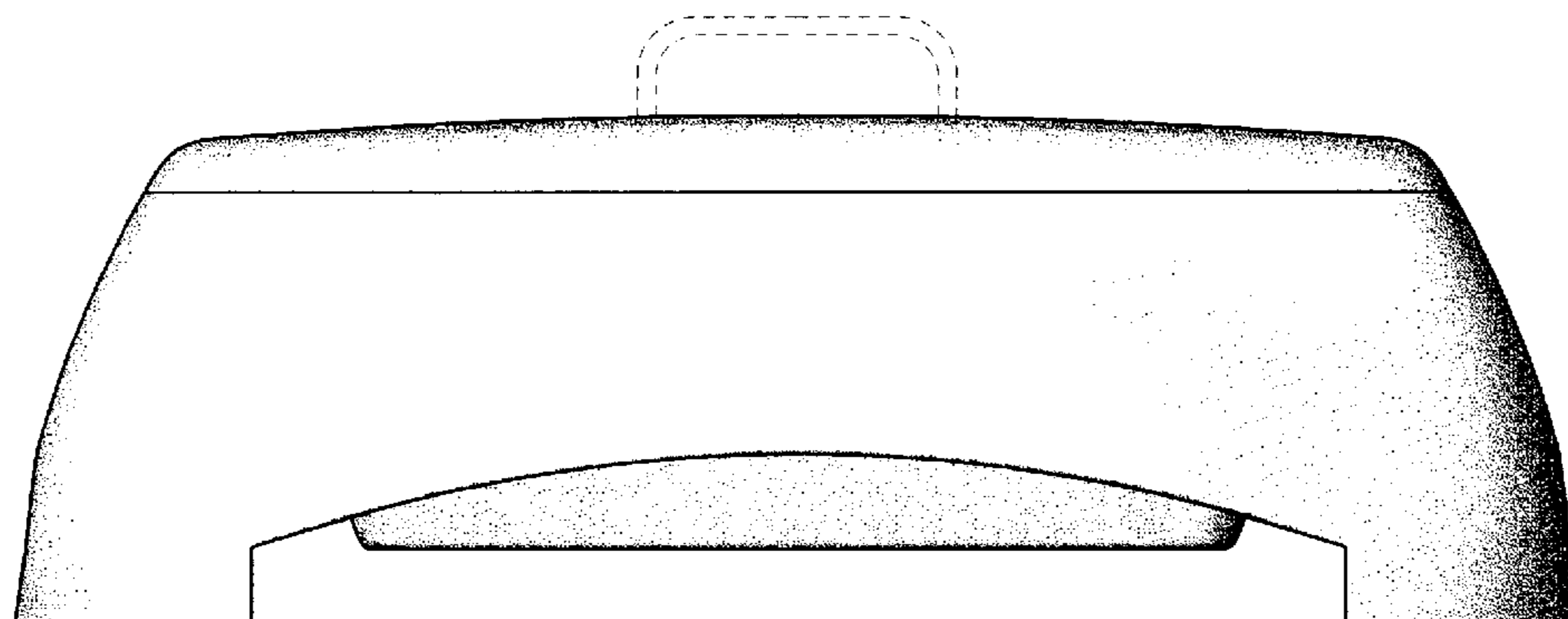


FIG. 12

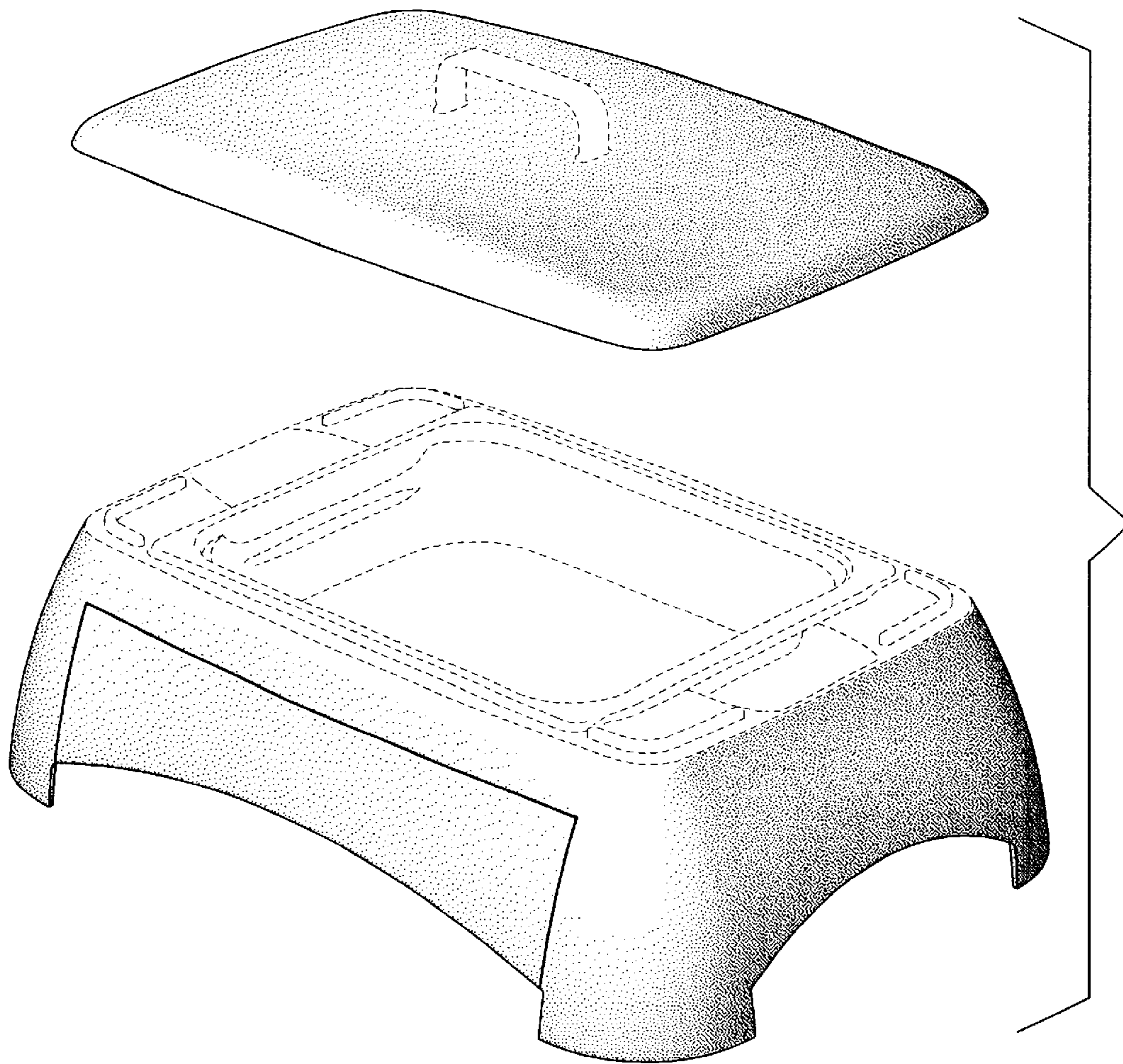


FIG. 13

