



US00D523284S

(12) **United States Design Patent**  
**Lam**

(10) **Patent No.:** **US D523,284 S**

(45) **Date of Patent:** **\*\* Jun. 20, 2006**

(54) **WAFFLE IRON**

(75) Inventor: **Po-Hei Lam**, Kowloon (HK)

(73) Assignee: **Poking Industrial Company, Limited**,  
Hong Kong (HK)

(\*\*) Term: **14 Years**

(21) Appl. No.: **29/229,413**

(22) Filed: **May 7, 2005**

(51) **LOC (8) Cl.** ..... **07-02**

(52) **U.S. Cl.** ..... **D7/352**

(58) **Field of Classification Search** ..... D7/323,  
D7/328-332, 334-339, 352-363; 99/219,  
99/349, 323-325, 327, 333, 339-342, 369,  
99/425, 389, 372-385, 392-395, 400, 401,  
99/444-450, 466, 601, 618-620; 219/492-495,  
219/521, 525, 620-622; 415/232; 426/138,  
426/441, 442, 501, 514, 523

See application file for complete search history.

(56) **References Cited**

**U.S. PATENT DOCUMENTS**

1,438,602	A	*	12/1922	Kruesheld	.....	99/378
2,116,688	A	*	5/1938	Ratliff	.....	99/374
2,317,225	A	*	4/1943	Schara	.....	99/332
4,075,940	A	*	2/1978	Carbon	.....	99/377
D247,763	S	*	4/1978	Carbon	.....	D7/352
D308,152	S	*	5/1990	Tzouffas	.....	D7/352
4,967,650	A	*	11/1990	Weigle	.....	99/374
5,636,564	A	*	6/1997	Weiss	.....	99/332

5,937,742	A	*	8/1999	Steeb et al.	.....	99/375
6,167,796	B1	*	1/2001	Wright et al.	.....	99/332
D488,667	S	*	4/2004	Seum et al.	.....	D7/352

\* cited by examiner

*Primary Examiner*—Cathron C. Brooks

*Assistant Examiner*—Ricky Pham

(74) *Attorney, Agent, or Firm*—Moonray Kojima

(57) **CLAIM**

The ornamental design for a waffle iron, as shown and described.

**DESCRIPTION**

FIG. 1 is a front top perspective view of a waffle iron showing my new design;

FIG. 2 is a rear top perspective view thereof;

FIG. 3 is a front top perspective view thereof; wherein the device is in a closed storing position.

FIG. 4 is a rear top perspective view thereof; wherein the device is in a closed storing position.

FIG. 5 is a rear perspective view thereof; wherein the lid is in an open position.

FIG. 6 is a front perspective view thereof; wherein the lid is in an open position.

FIG. 7 is a right elevational view thereof;

FIG. 8 is a left elevational view thereof;

FIG. 9 is a front elevational view thereof; the rear elevational view being a mirror image.

FIG. 10 is a top plan view thereof; and,

FIG. 11 is a bottom plan view thereof.

**1 Claim, 7 Drawing Sheets**

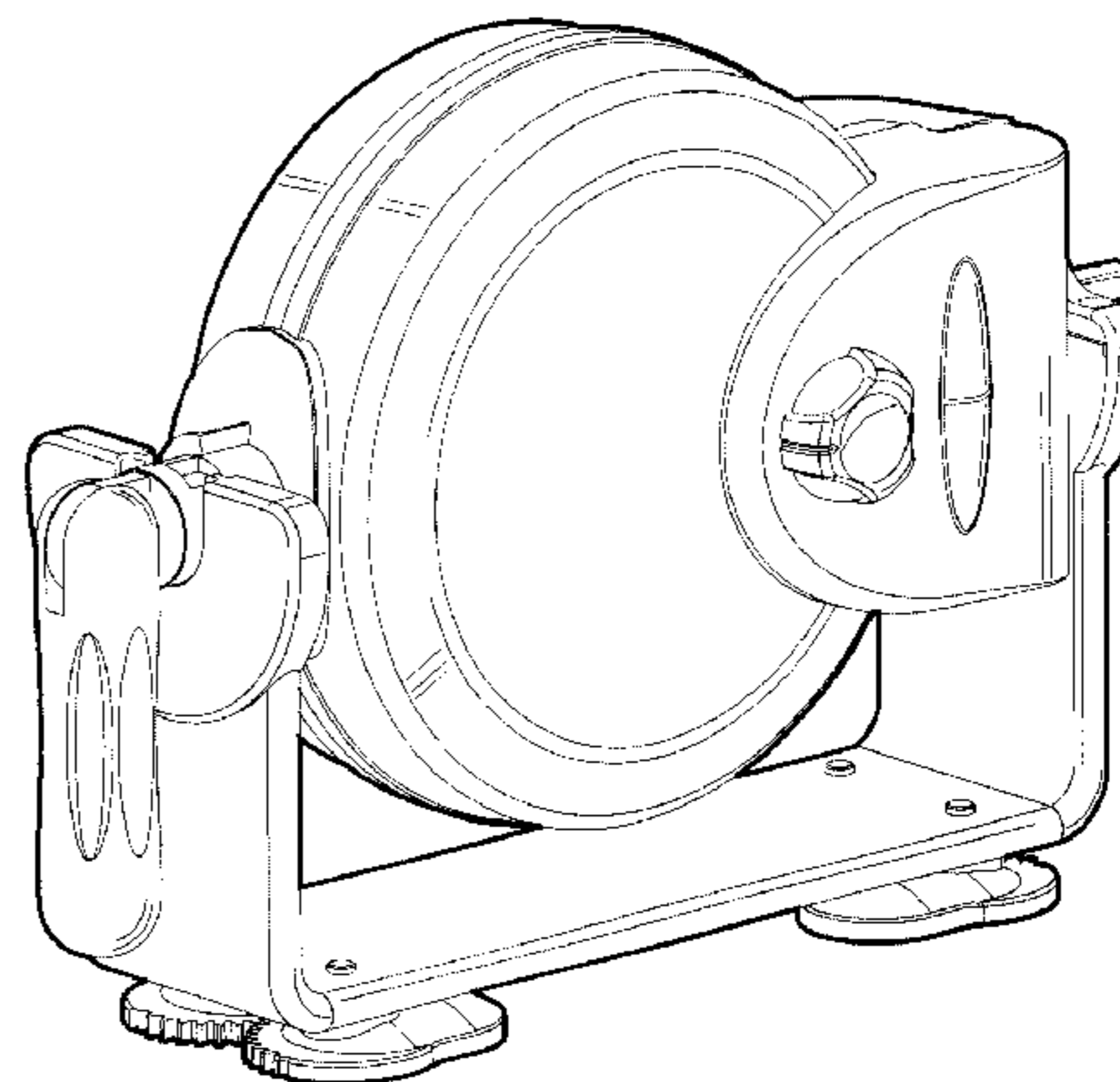
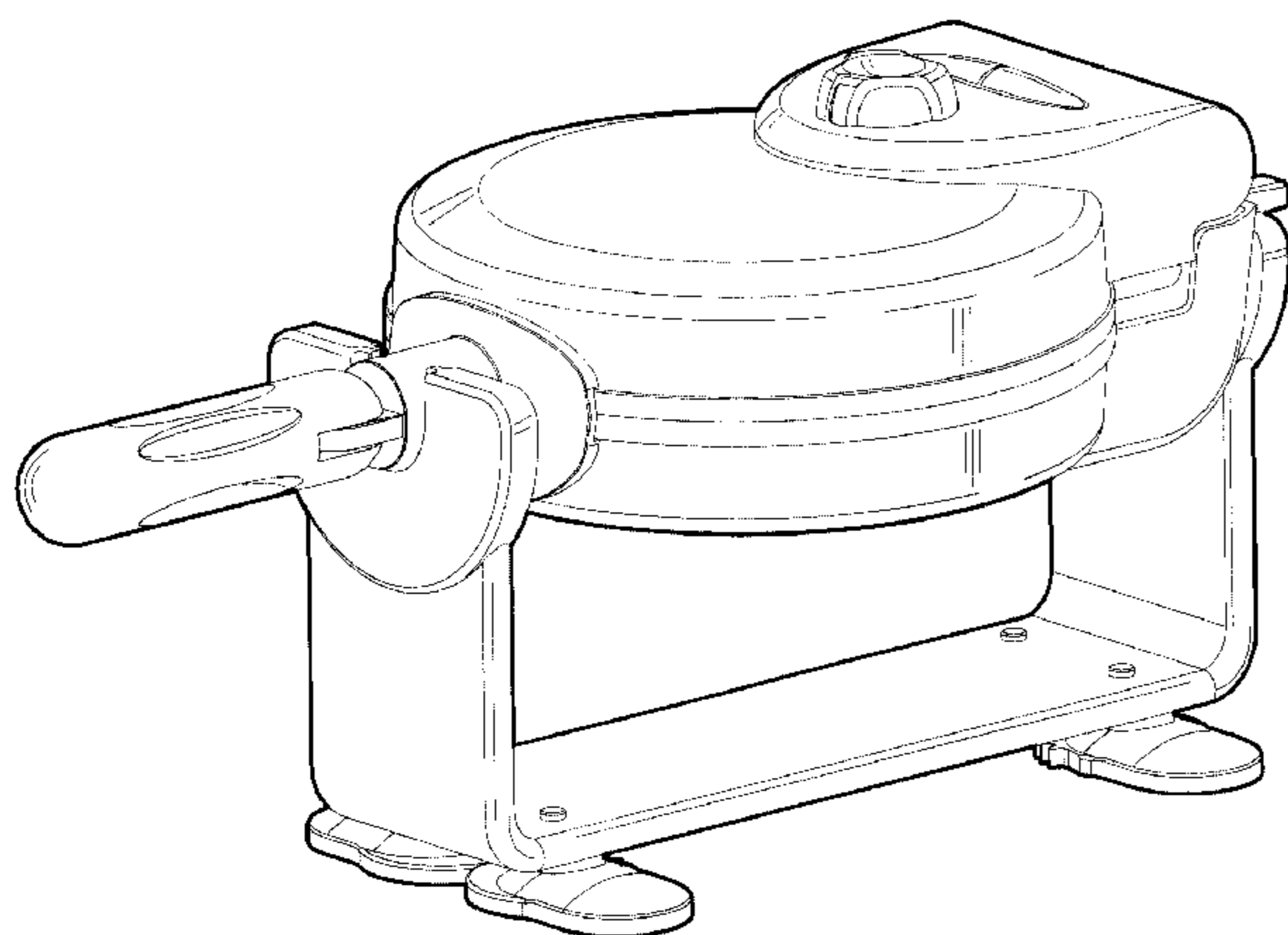


FIG. 1

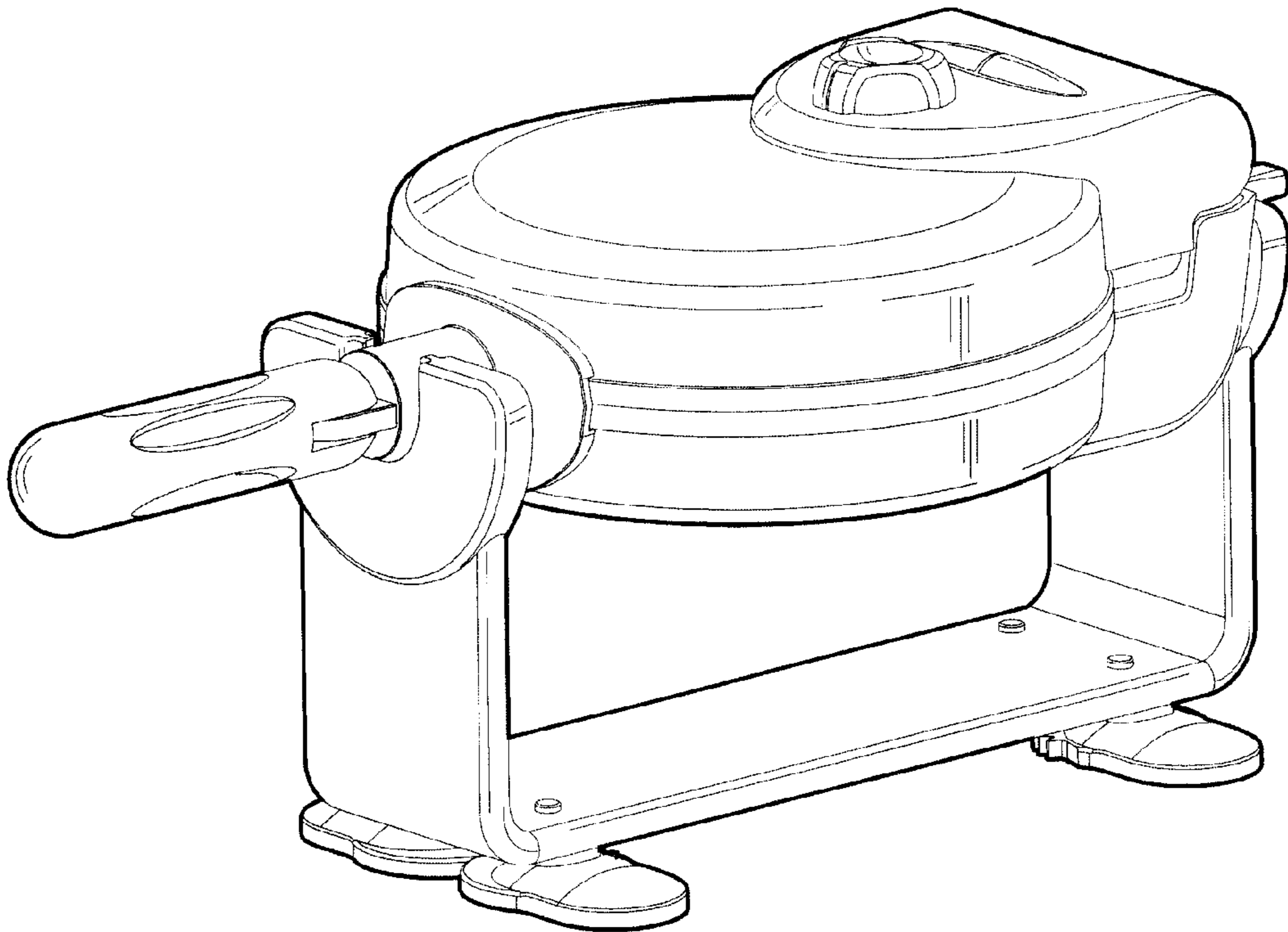


FIG. 2

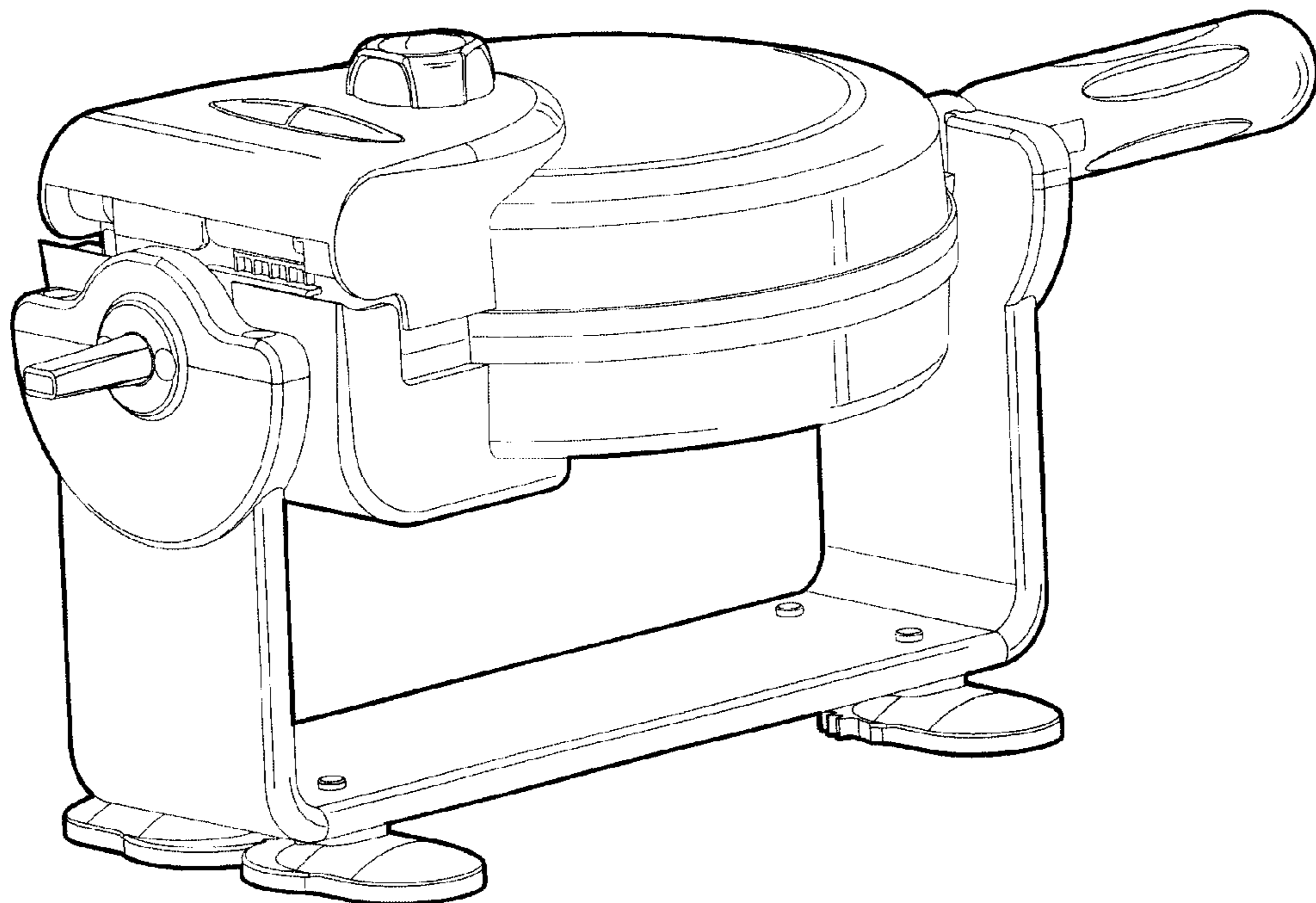


FIG. 3

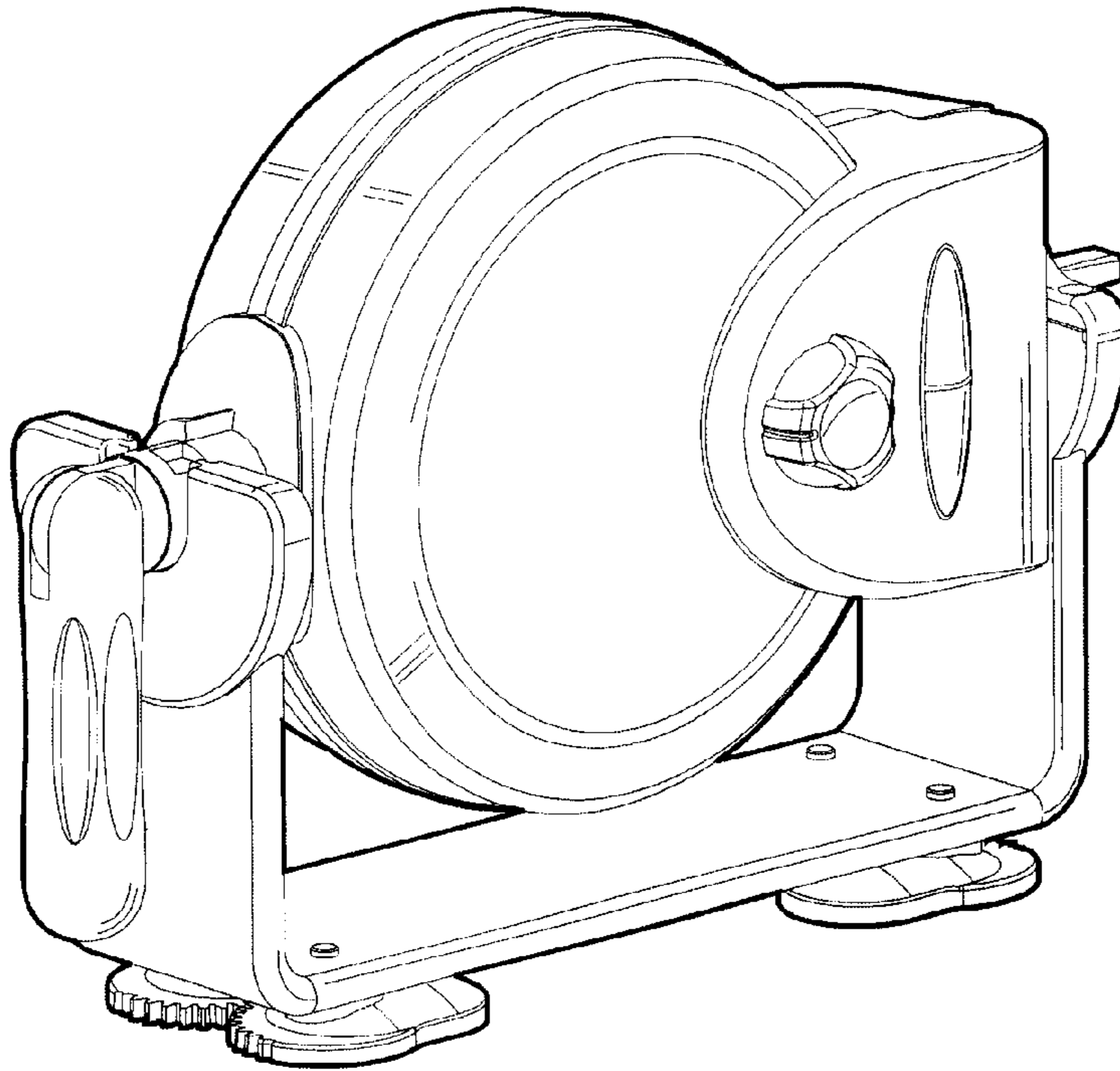
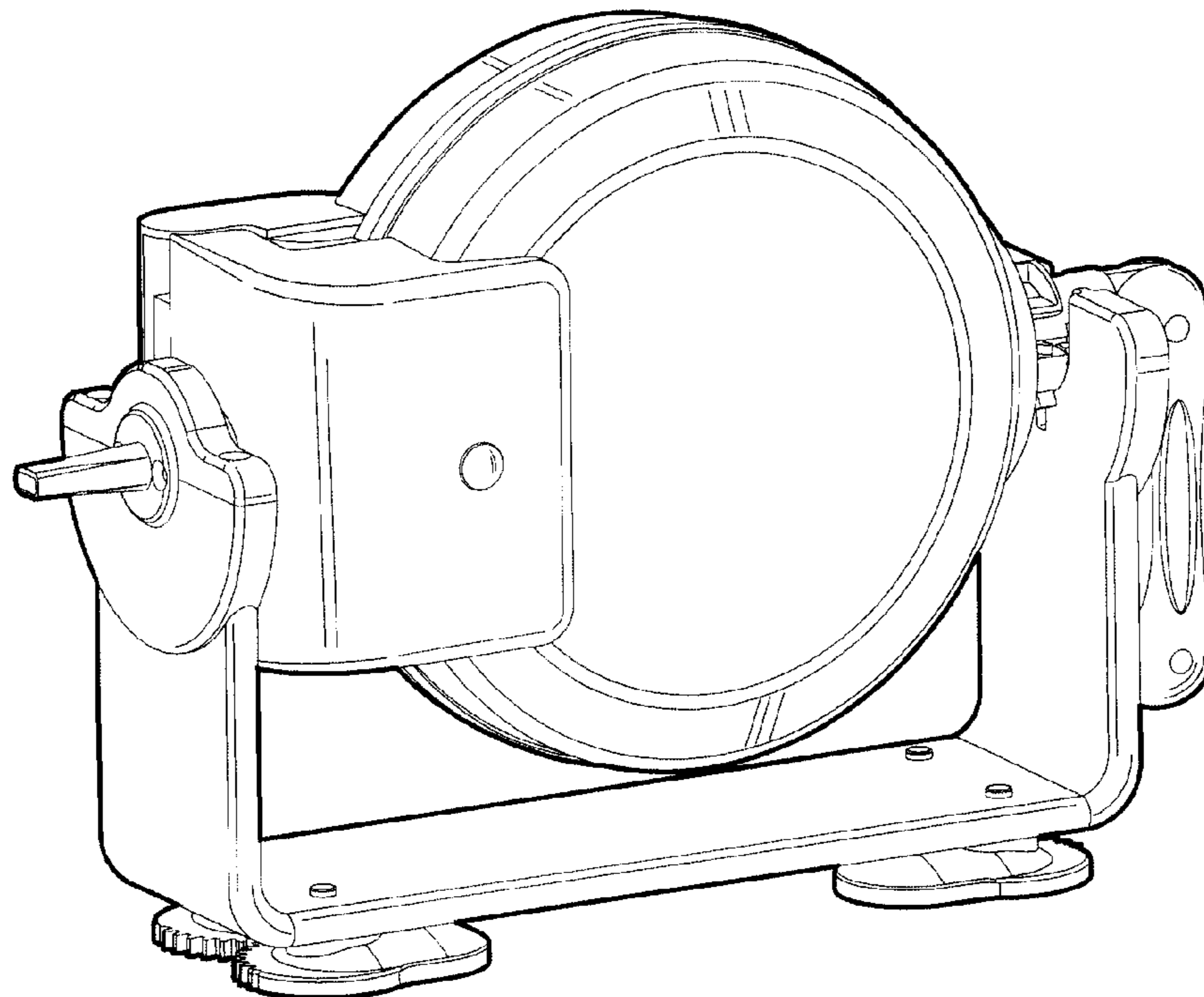


FIG. 4





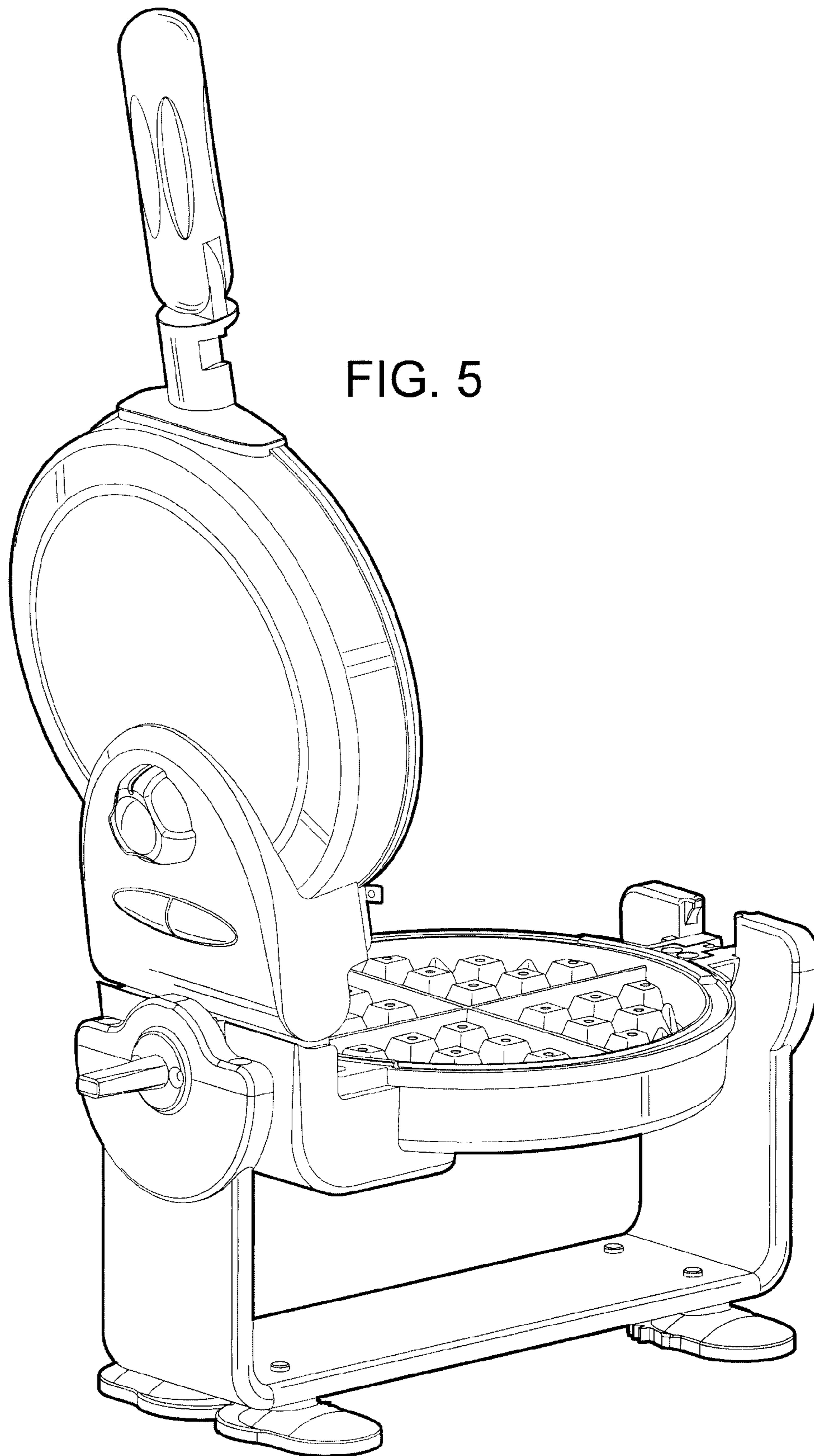


FIG. 5

FIG. 6

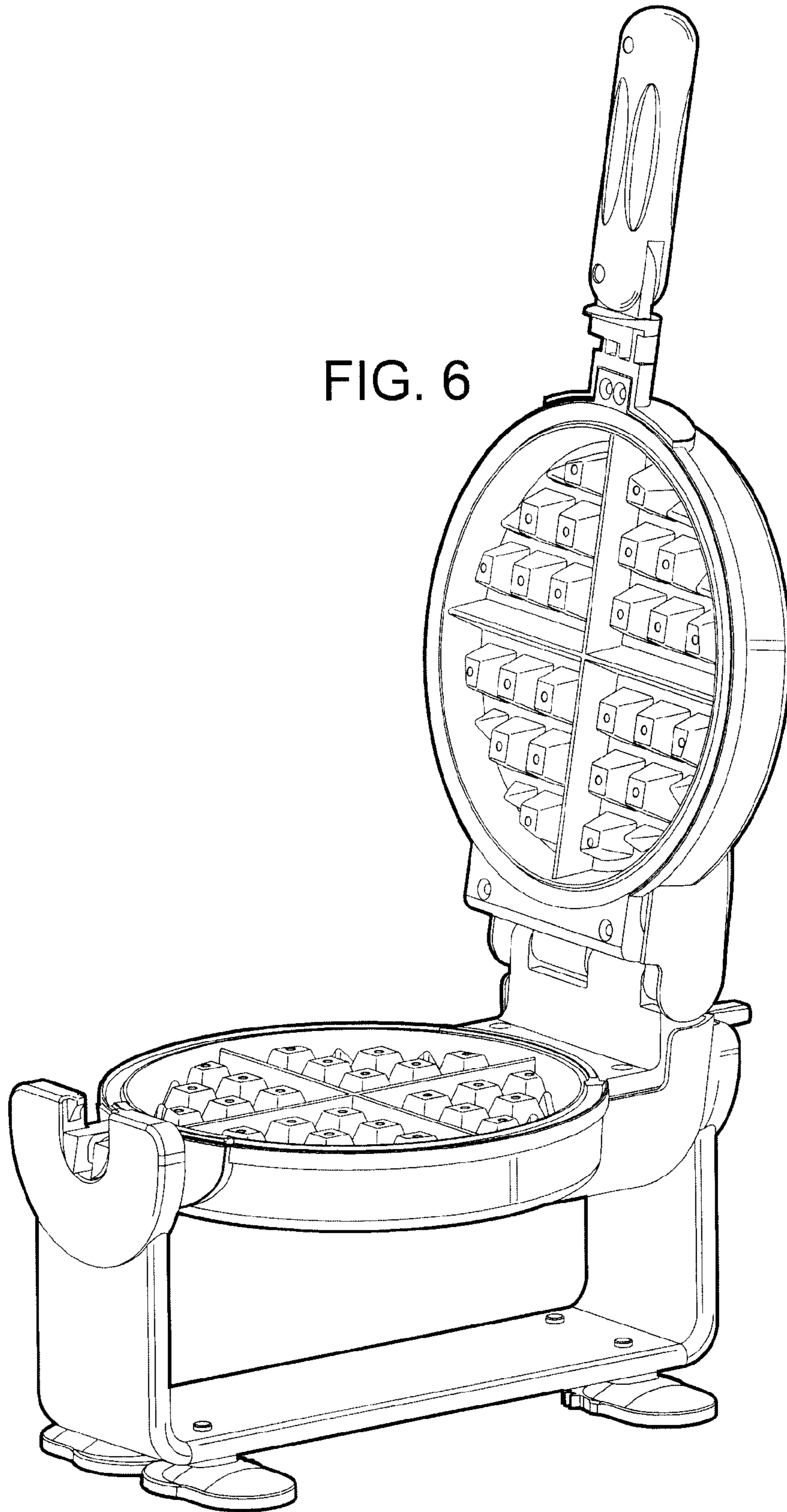


FIG. 7

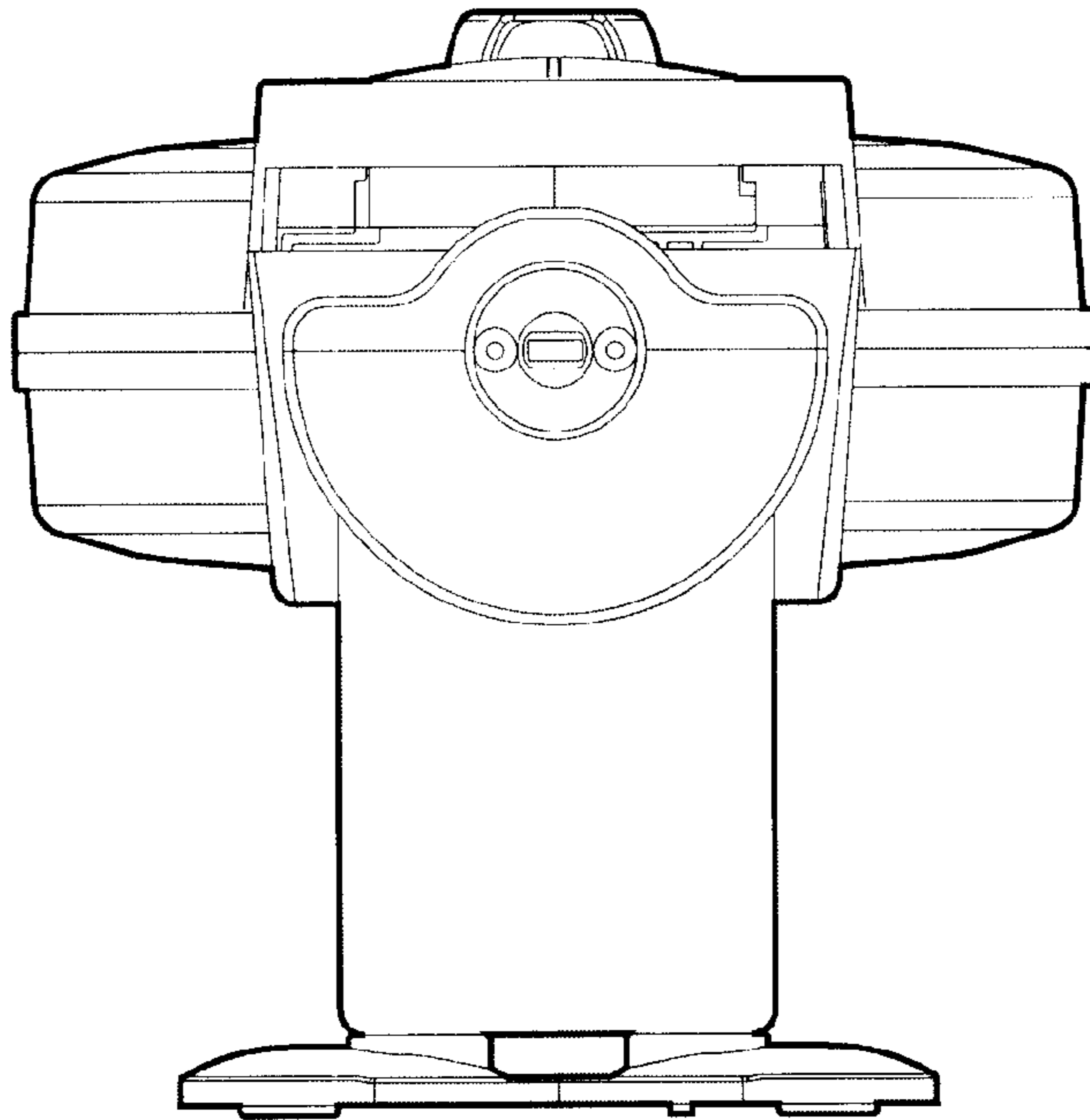


FIG. 8

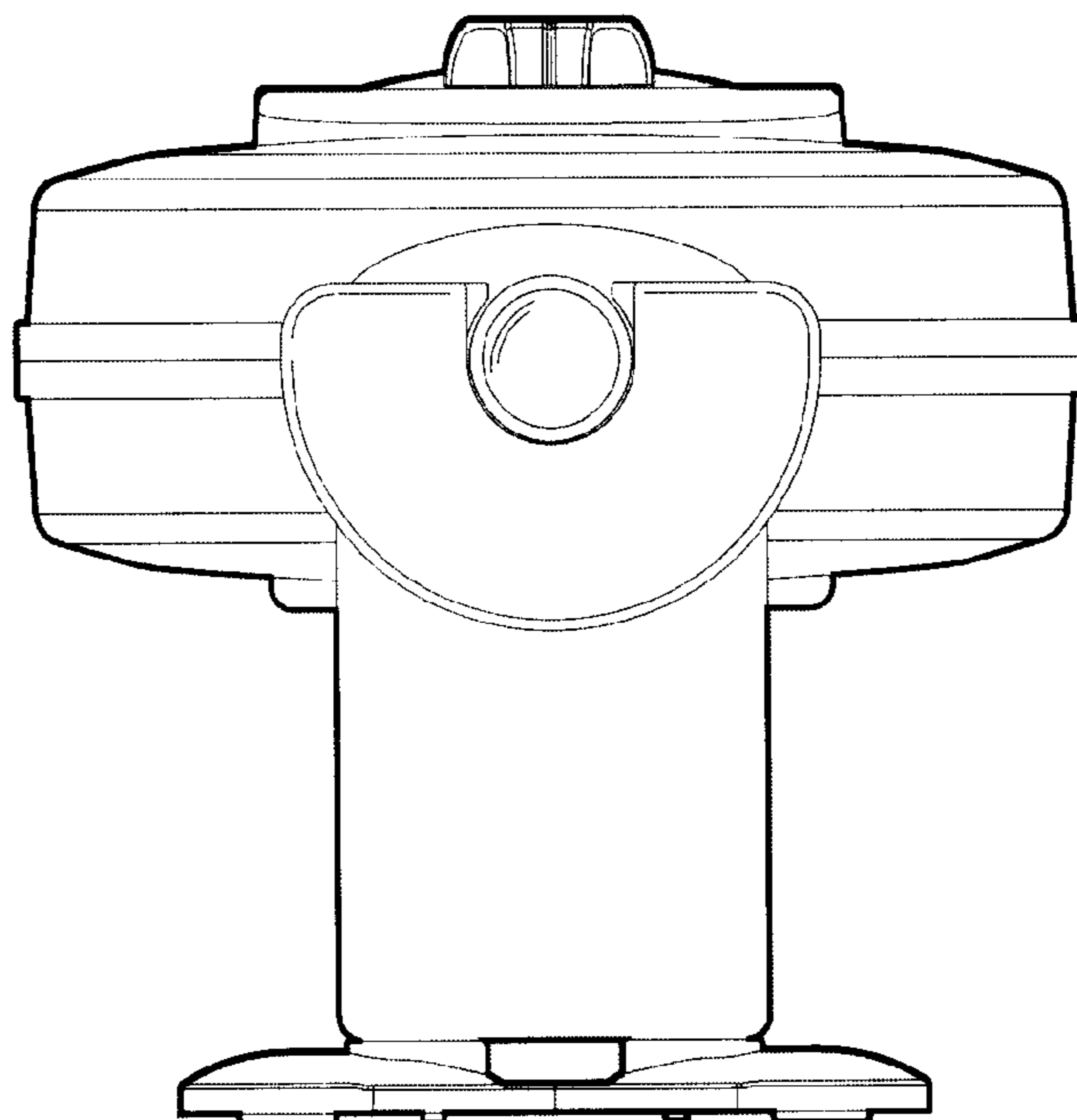


FIG. 9

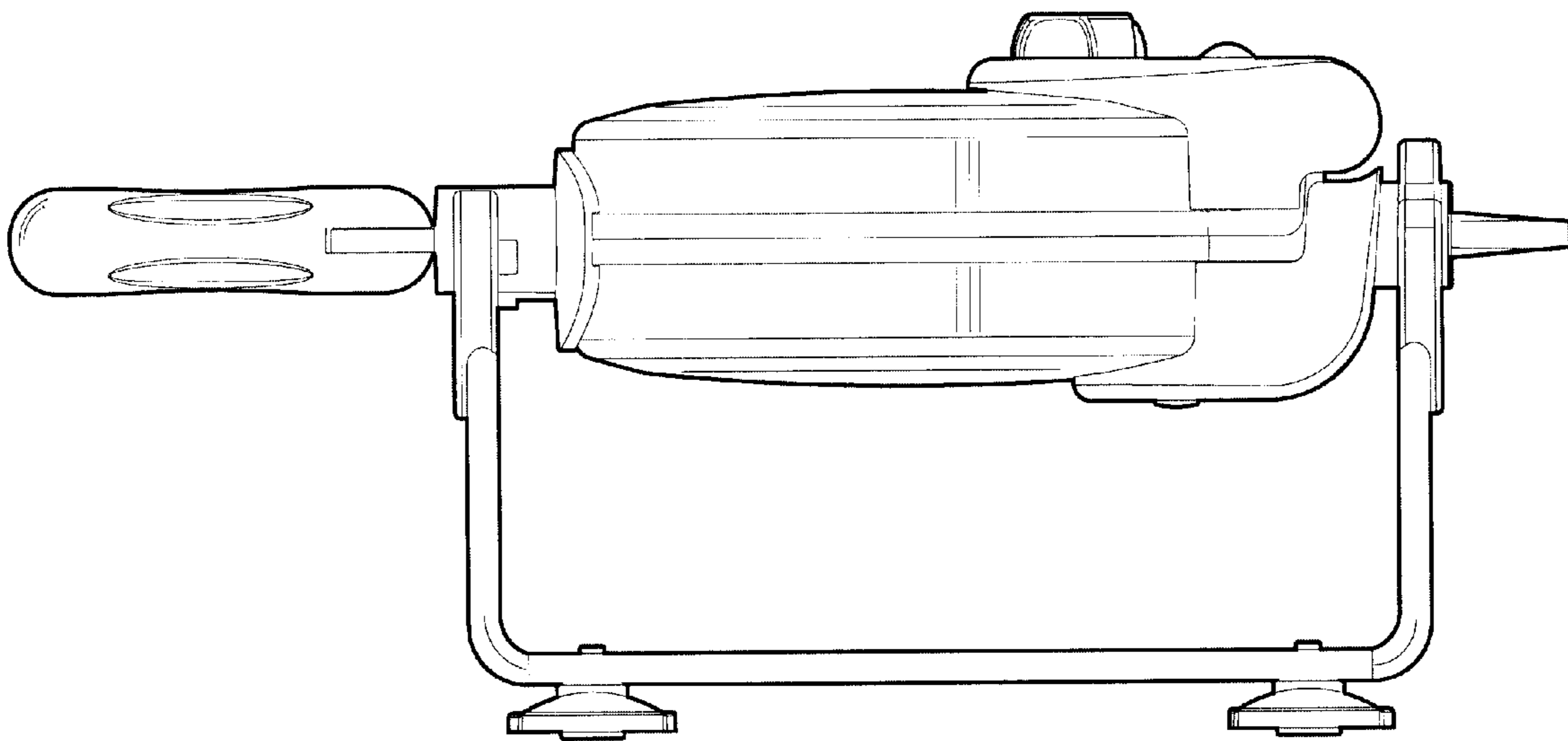


FIG. 10

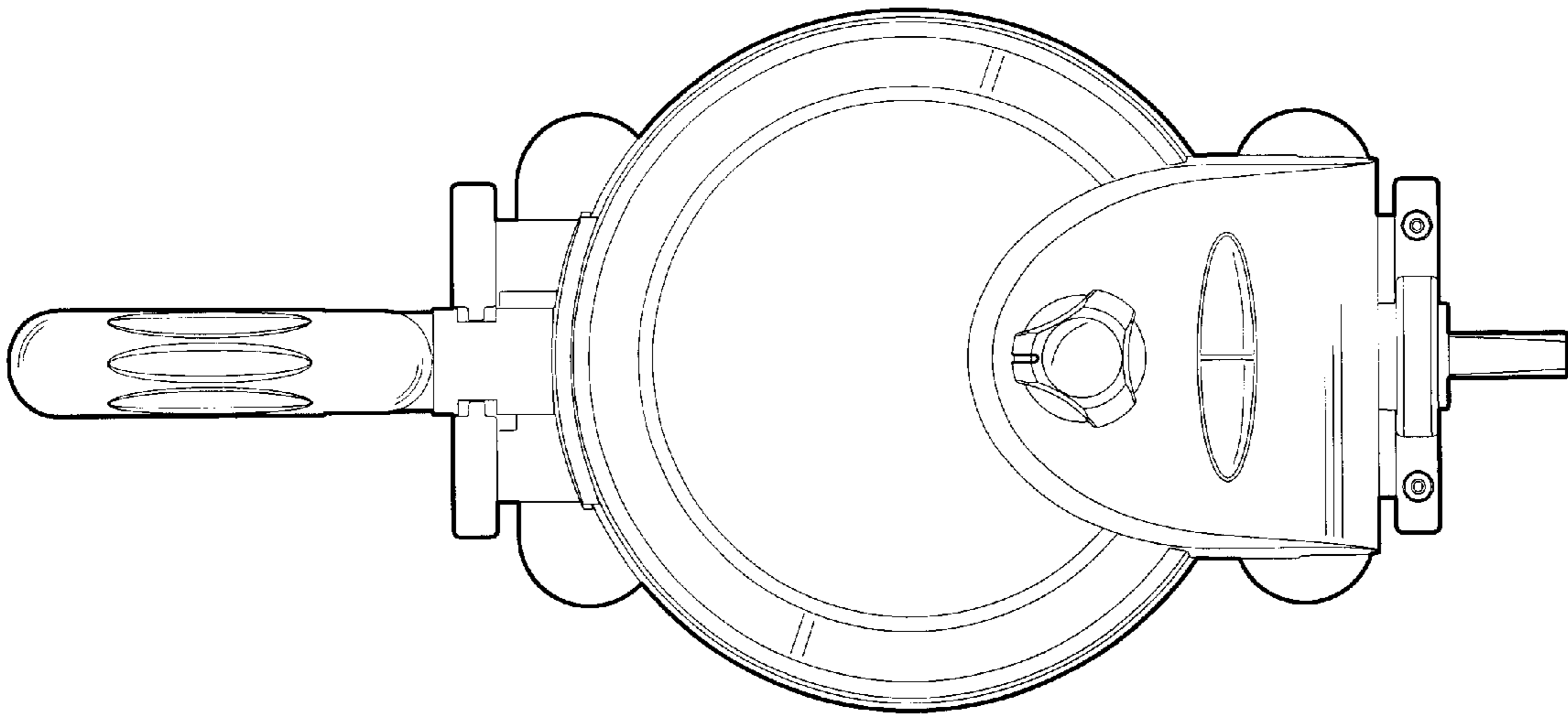


FIG. 11

