

US00D523282S

(12) **United States Design Patent**
Yoon

(10) **Patent No.:** **US D523,282 S**
(45) **Date of Patent:** **** Jun. 20, 2006**

(54) **MICROWAVE OVEN**

(75) Inventor: **Guanwoo Yoon**, Larchmont, NY (US)

(73) Assignee: **Daewoo Electronics of America, Inc.**,
Lyndhurst, NJ (US)

(**) Term: **14 Years**

(21) Appl. No.: **29/229,768**

(22) Filed: **May 11, 2005**

(51) **LOC (8) Cl.** **15-05**

(52) **U.S. Cl.** **D7/351**

(58) **Field of Classification Search** D7/350.1,
D7/350.2, 350.3, 350.4, 351, 402-403, 405-406;
126/19 M, 275 E, 273 A; 219/756-758, 391,
219/402, 393; 99/DIG. 14

See application file for complete search history.

(56) **References Cited**

U.S. PATENT DOCUMENTS

D245,162 S	7/1977	Zimmer	
4,481,395 A	11/1984	Smith et al.	
4,590,351 A	5/1986	Pomroy et al.	
D291,854 S	9/1987	Pomroy et al.	
5,632,921 A	5/1997	Risman et al.	
D384,240 S	* 9/1997	Wang	D7/350.3
D393,979 S	5/1998	Graat	D7/405
6,165,526 A	12/2000	Newman	426/428
D438,051 S	2/2001	Anselmi et al.	
D439,795 S	4/2001	Ivanouskas	D7/351
D468,956 S	* 1/2003	Cha	D7/351
D469,299 S	1/2003	Cha	

6,624,399 B1	9/2003	Rypan	
D487,666 S	3/2004	Monguilod	D7/351
D490,649 S	6/2004	Hessen et al.	D7/405
6,750,434 B1 *	6/2004	Han et al.	219/757
6,956,191 B1 *	10/2005	Han et al.	219/685

* cited by examiner

Primary Examiner—Ruth McInroy

(74) *Attorney, Agent, or Firm*—Richard B. Klar; Law
Office of Richard B. Klar

(57) **CLAIM**

I claim the ornamental design for a microwave oven, as
shown and described.

DESCRIPTION

FIG. 1 is a perspective view of a microwave oven showing
my new design;

FIG. 2 is a front view of FIG. 1;

FIG. 3 is a right side view of FIG. 1;

FIG. 4 is a left side view of FIG. 1;

FIG. 5 is a top view of FIG. 1;

FIG. 6 is a perspective view of FIG. 1 with the door in an
open position;

FIG. 7 is a perspective view of a second embodiment
thereof, the undisclosed top view is the same as FIG. 5;

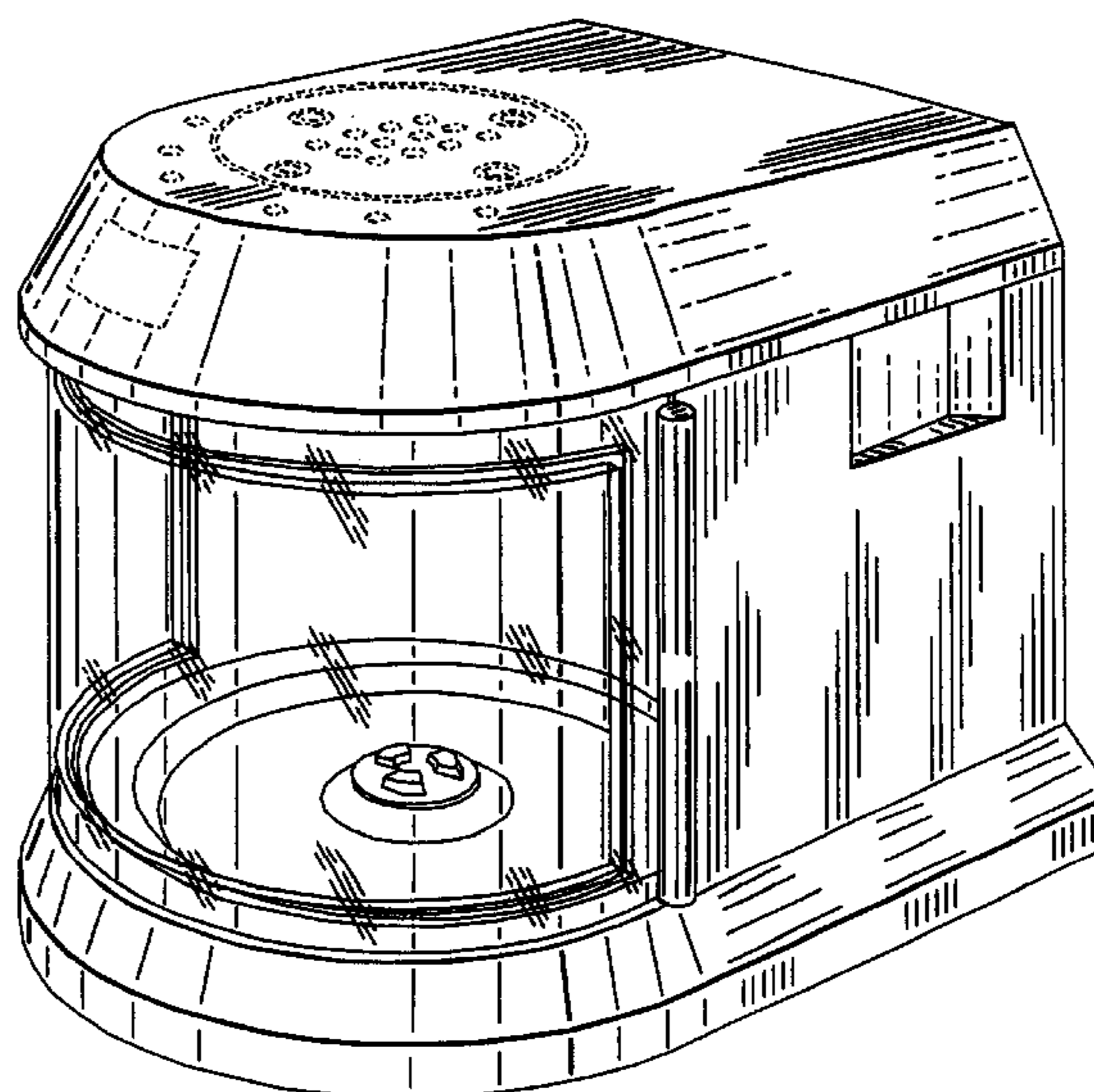
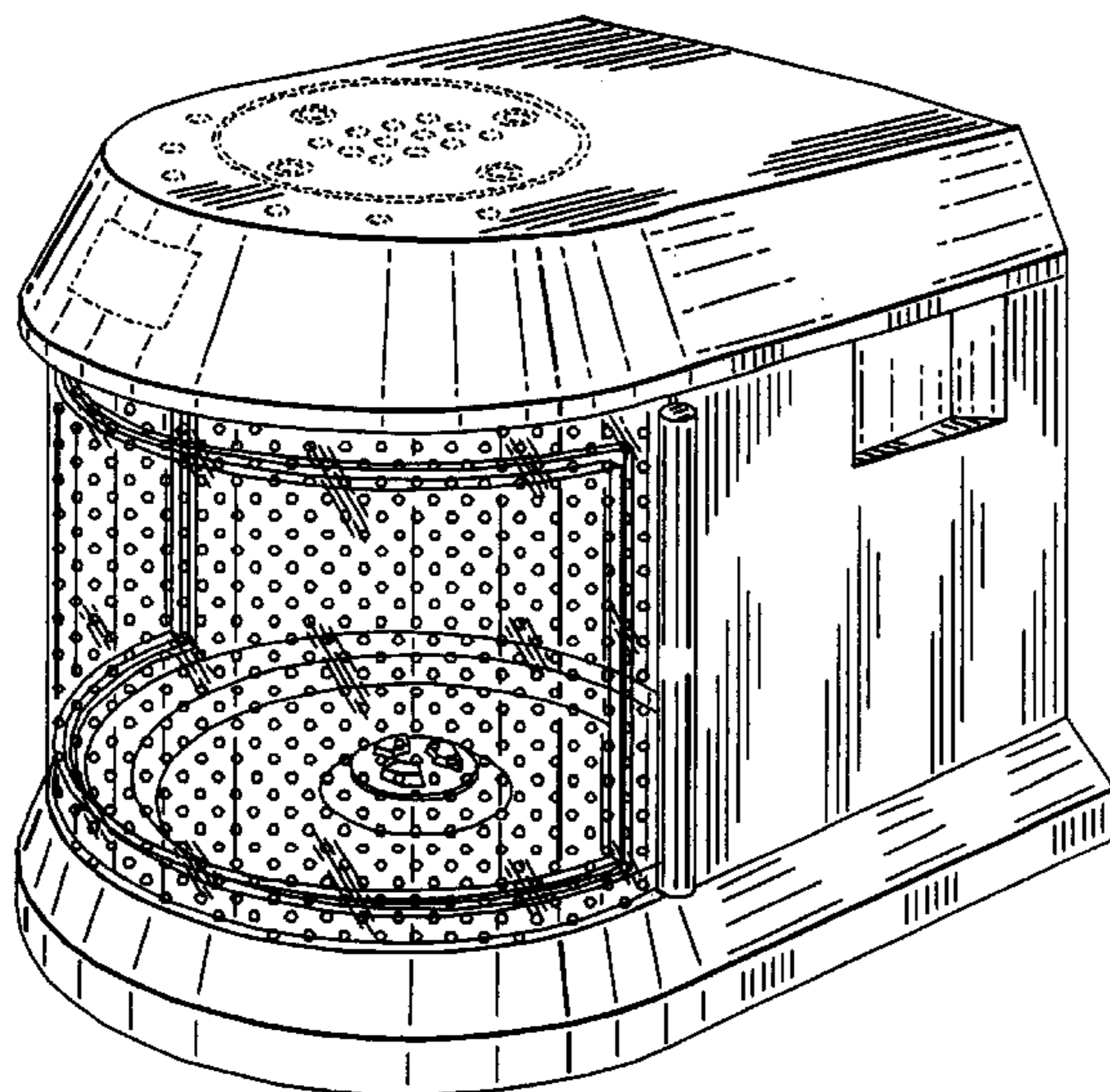
FIG. 8 is a front view of FIG. 7;

FIG. 9 is a right side view of FIG. 7;

FIG. 10 is a left side view of FIG. 7; and,

FIG. 11 is a perspective view of FIG. 7 with the door in an
open position.

1 Claim, 7 Drawing Sheets



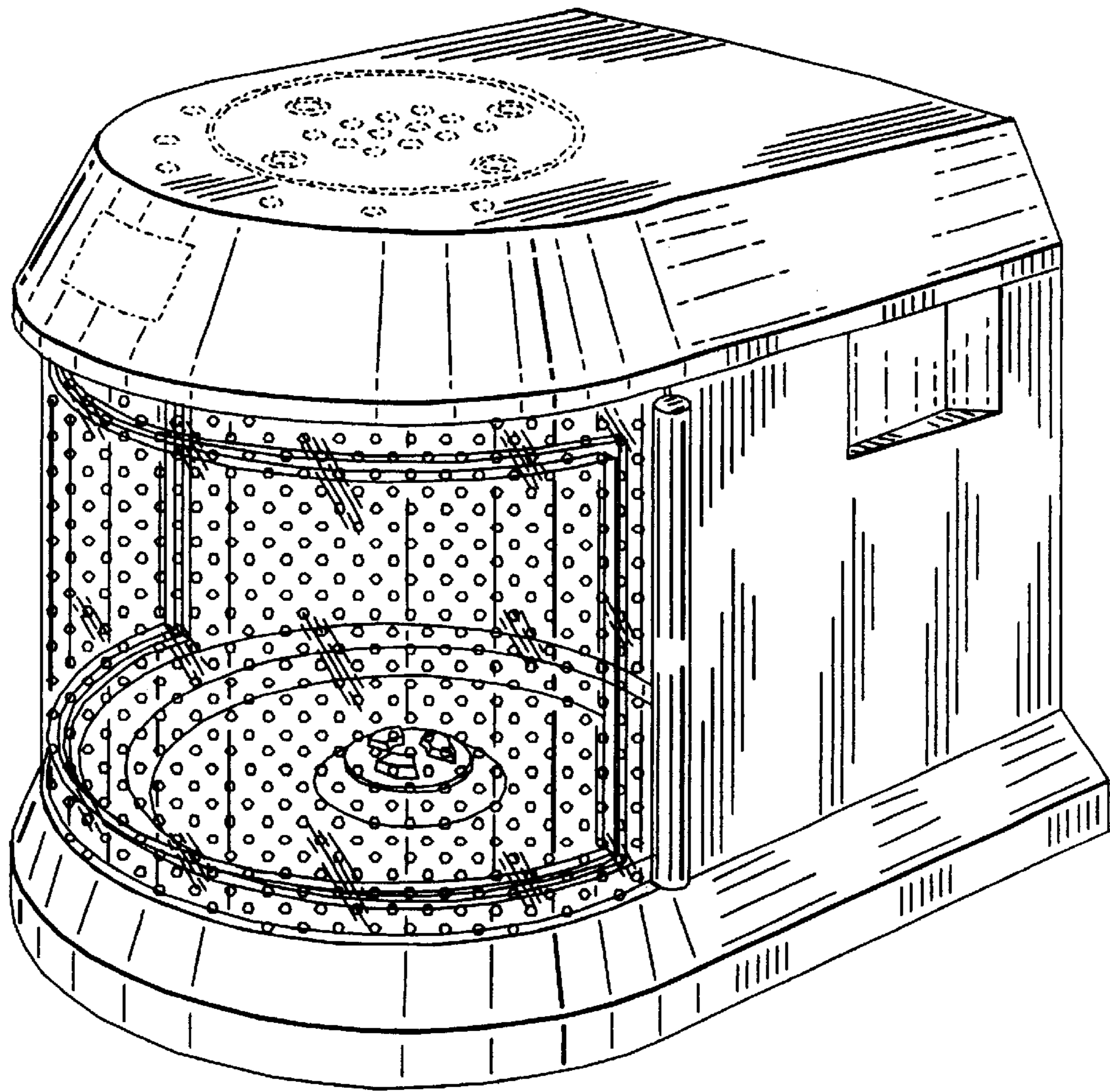


FIG. 1

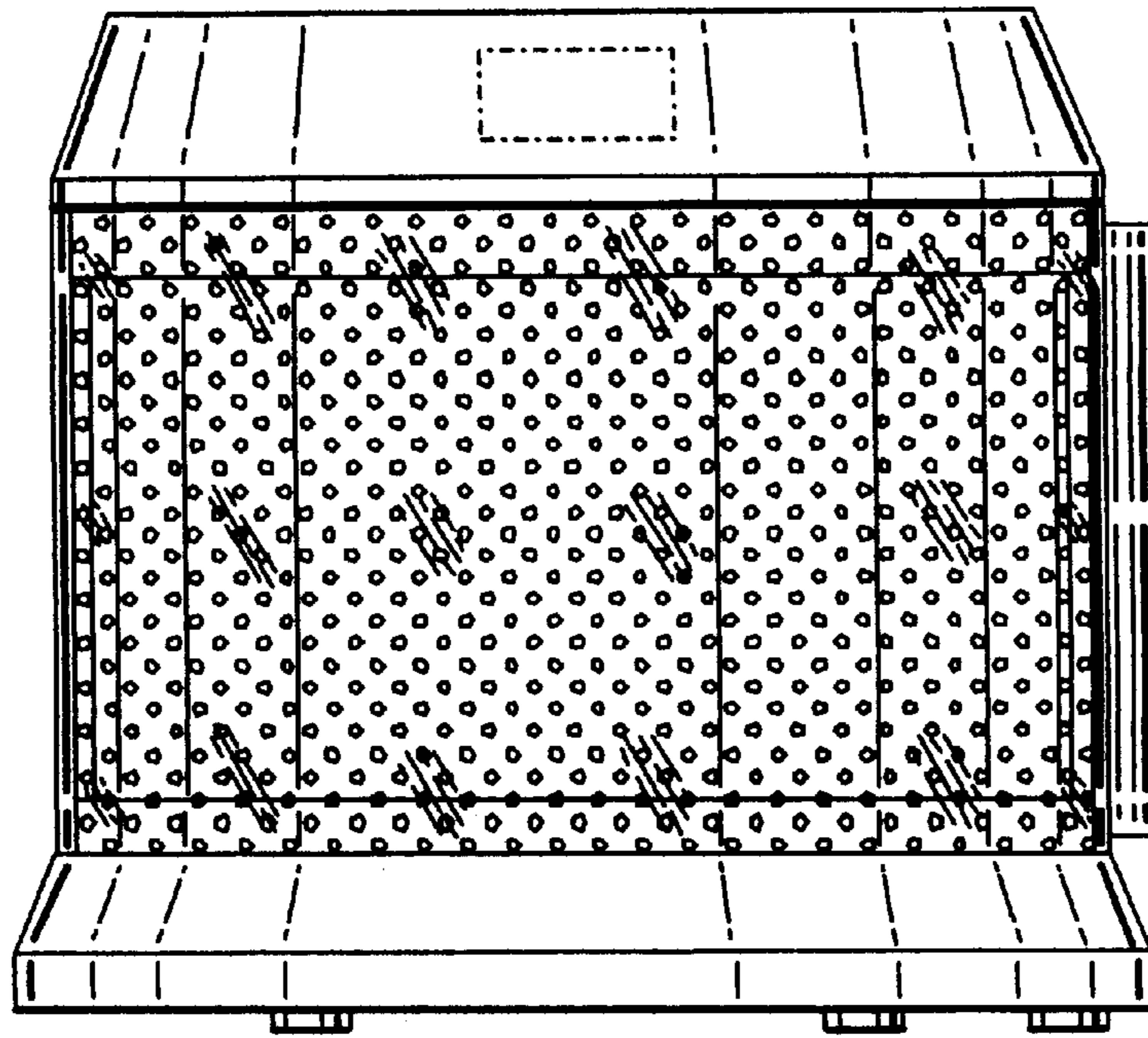


FIG. 2

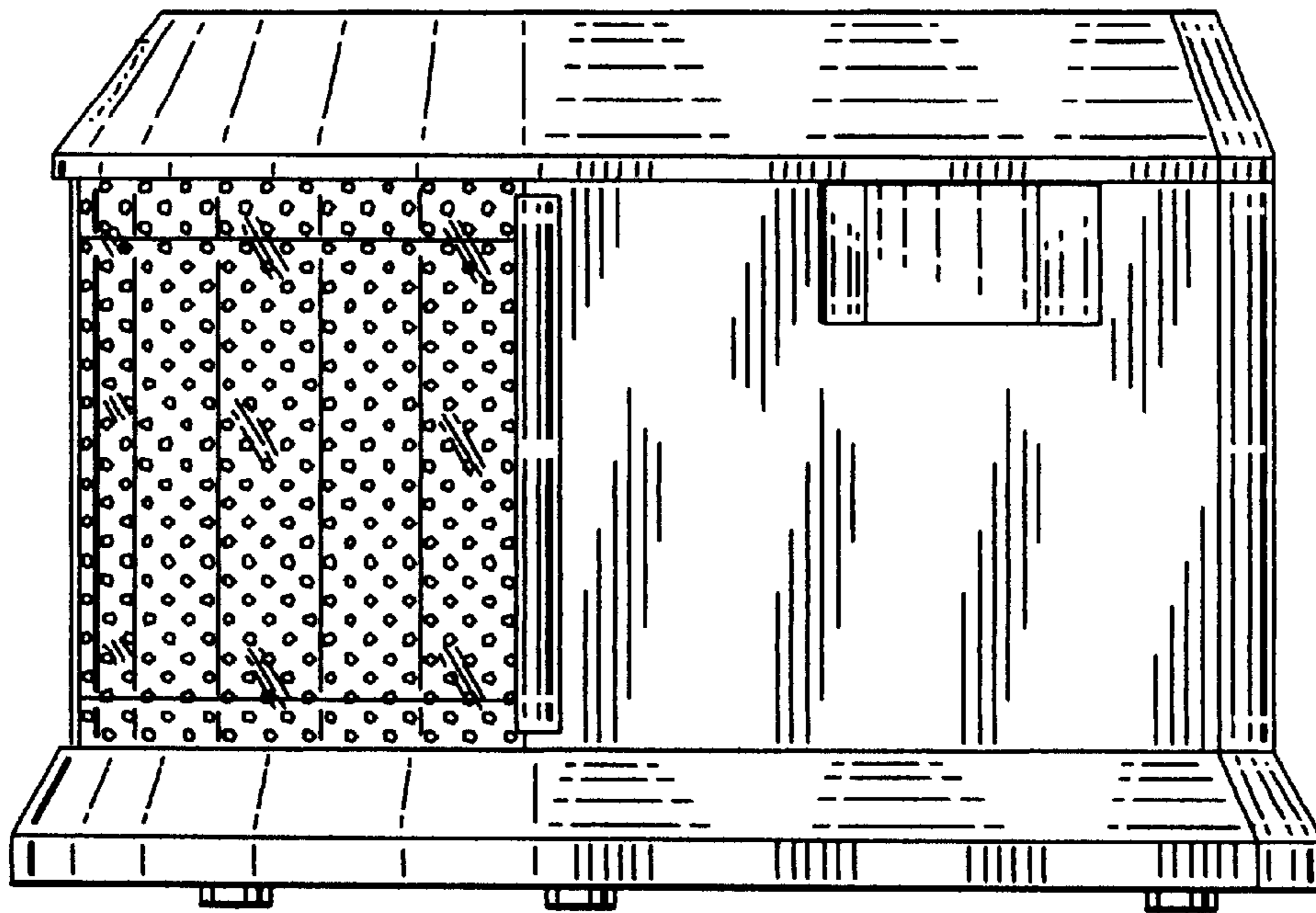


FIG. 3

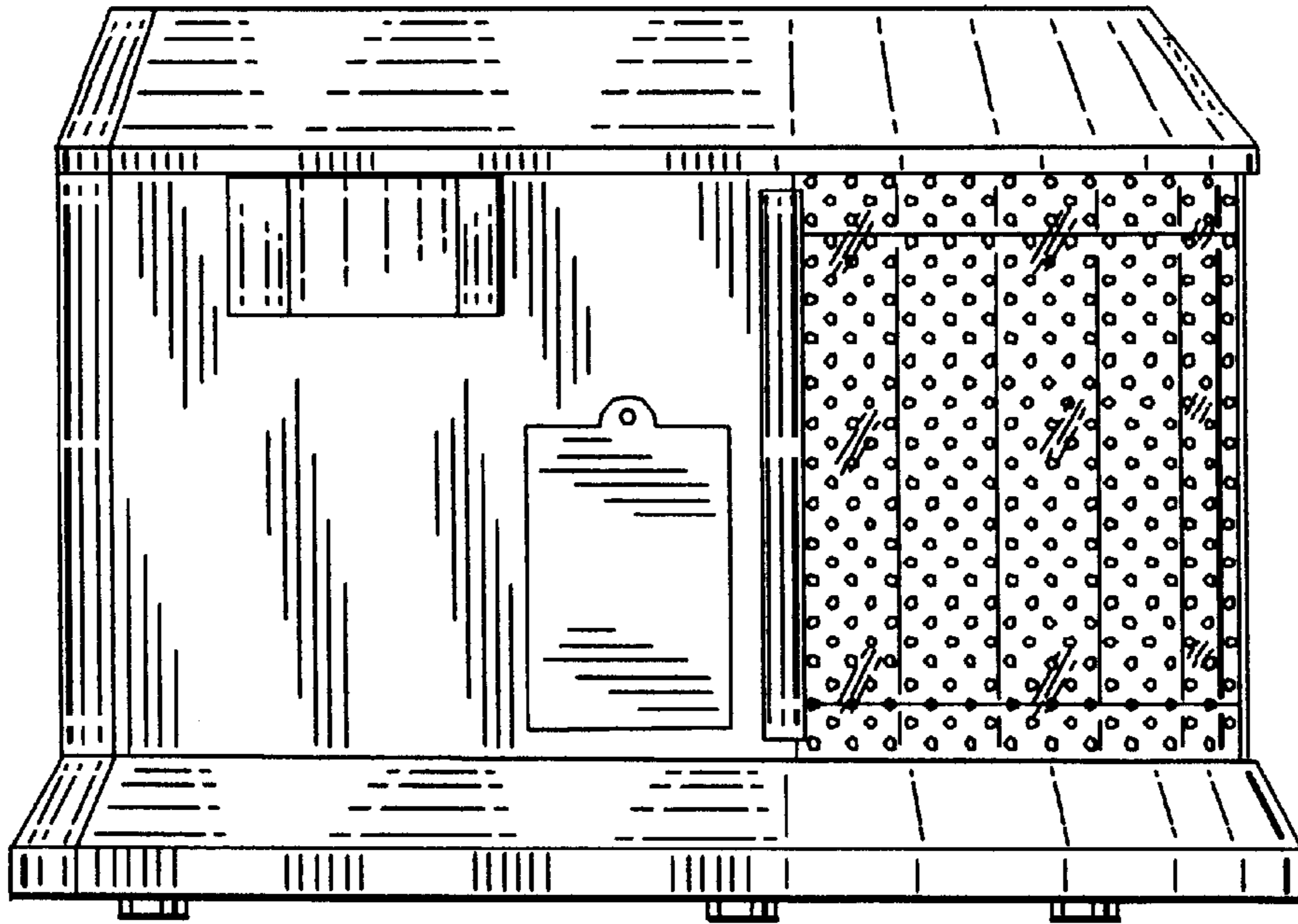


FIG. 4

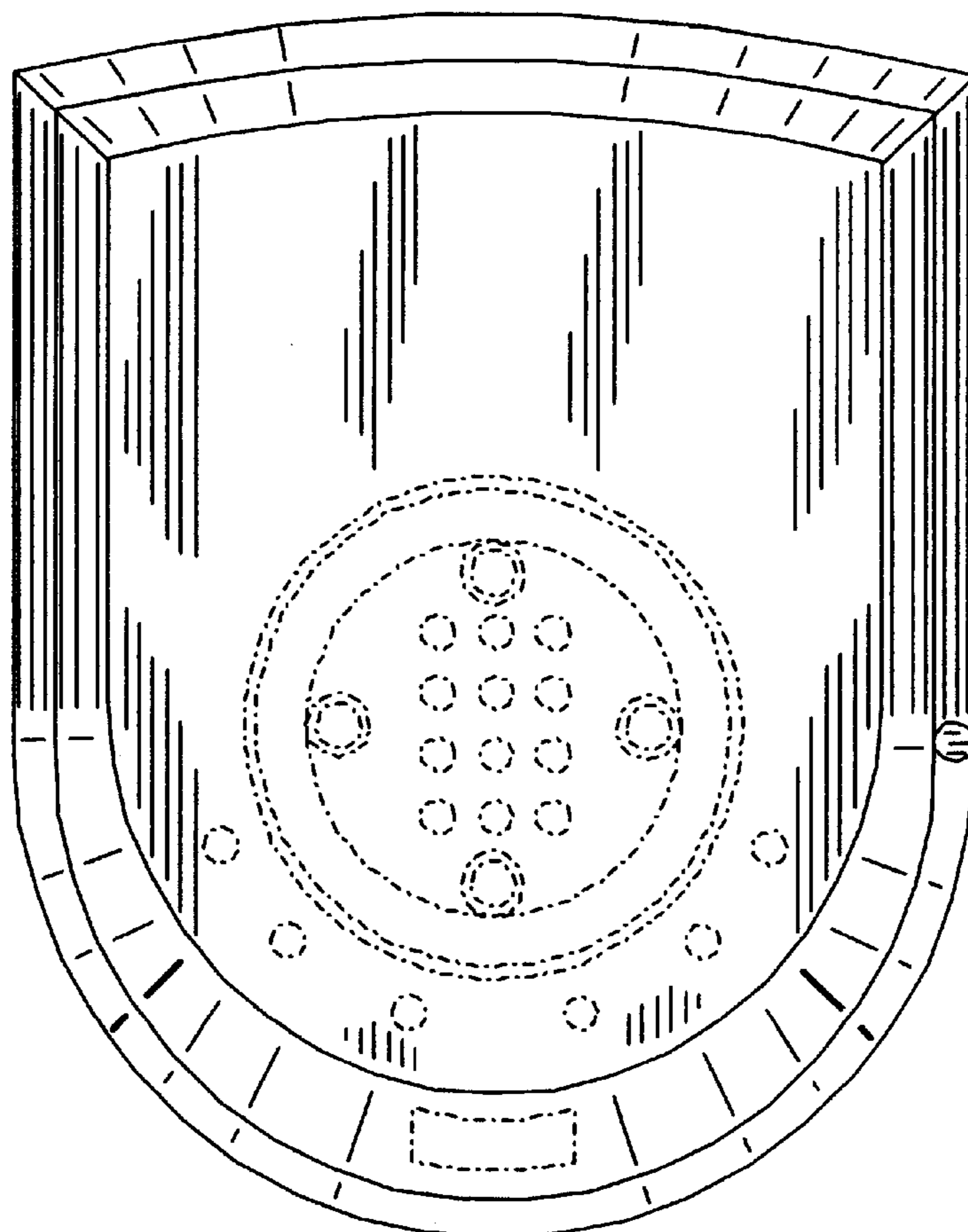


FIG. 5

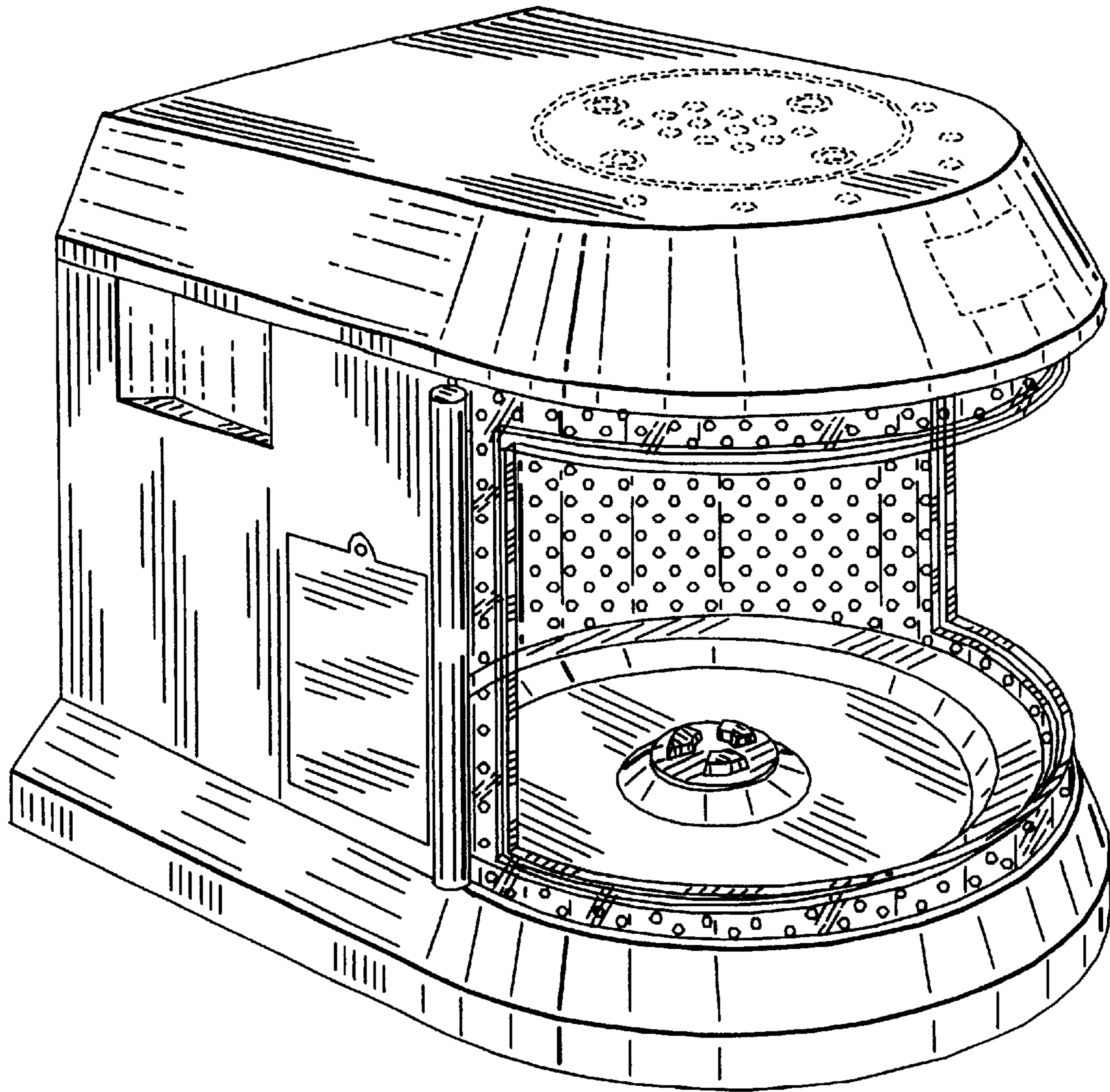


FIG. 6

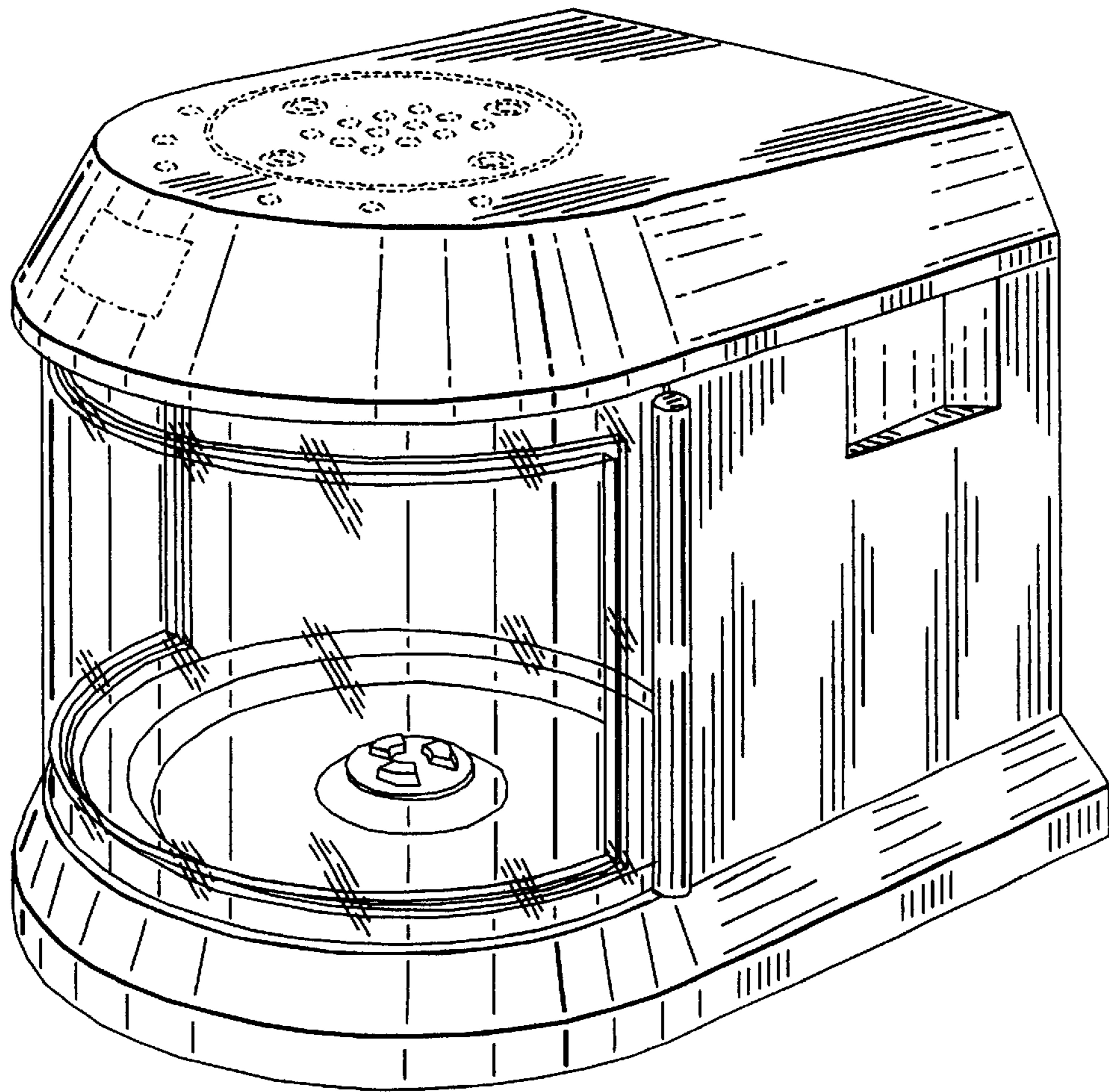


FIG. 7

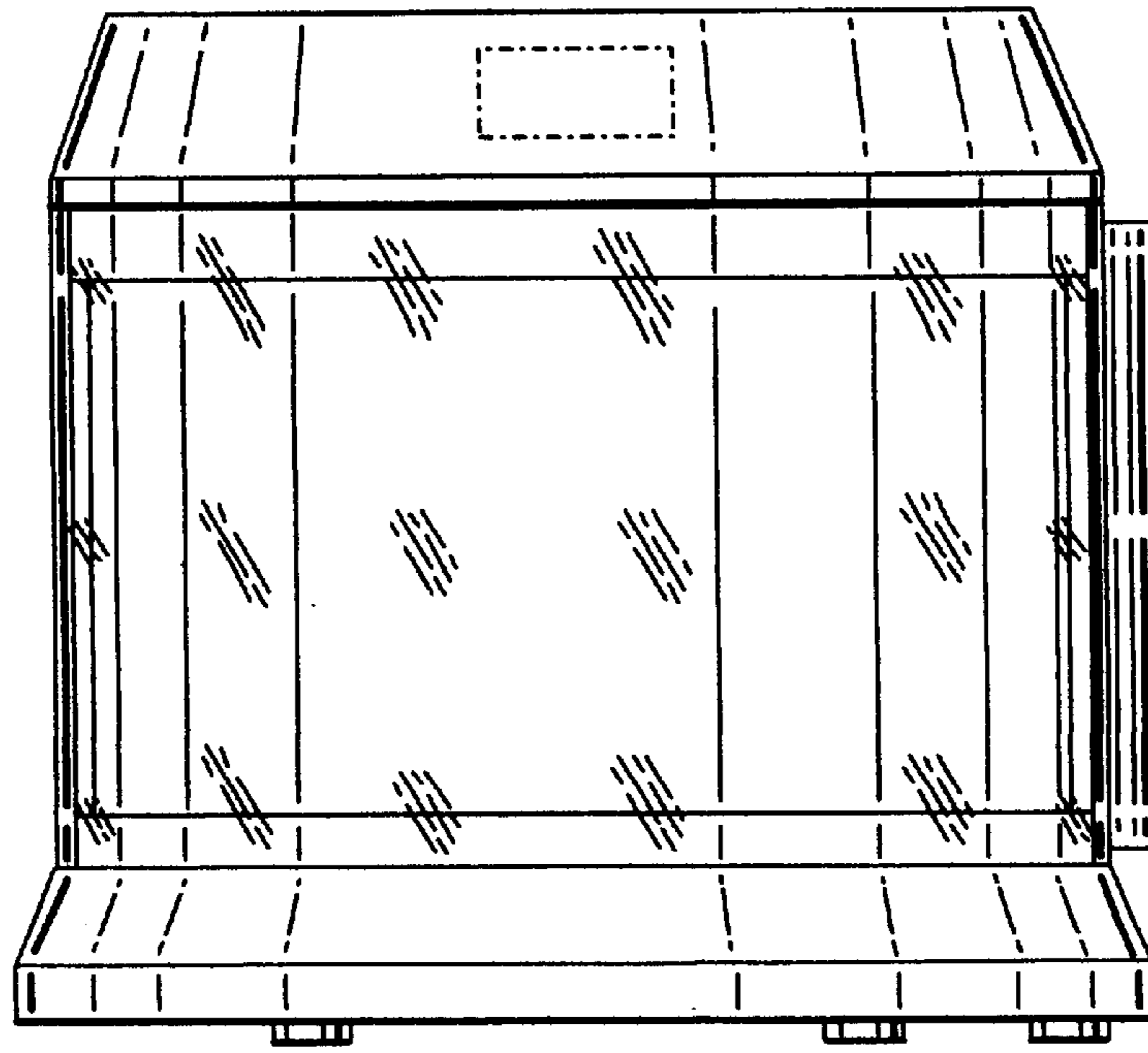


FIG. 8

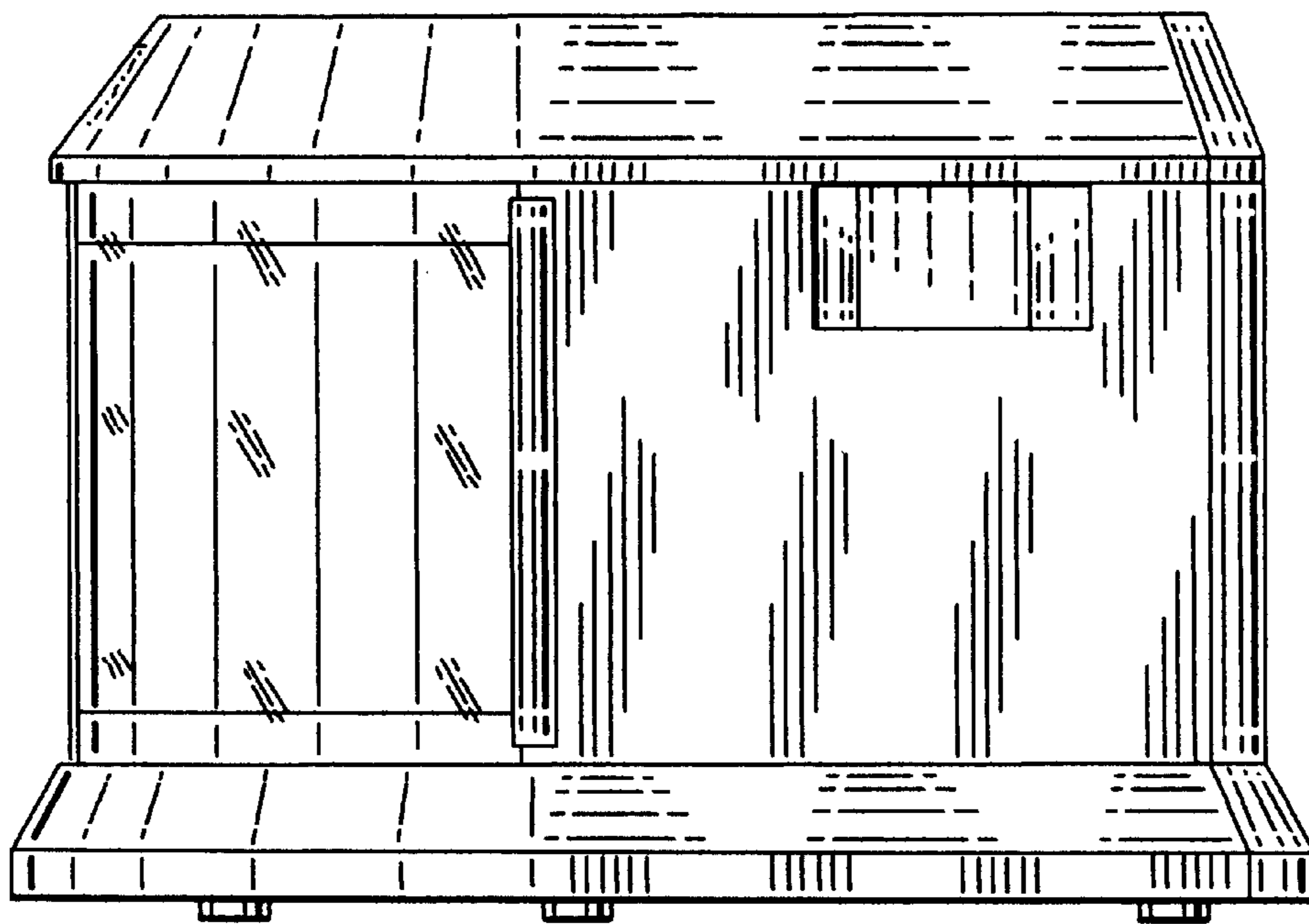


FIG. 9

FIG. 10

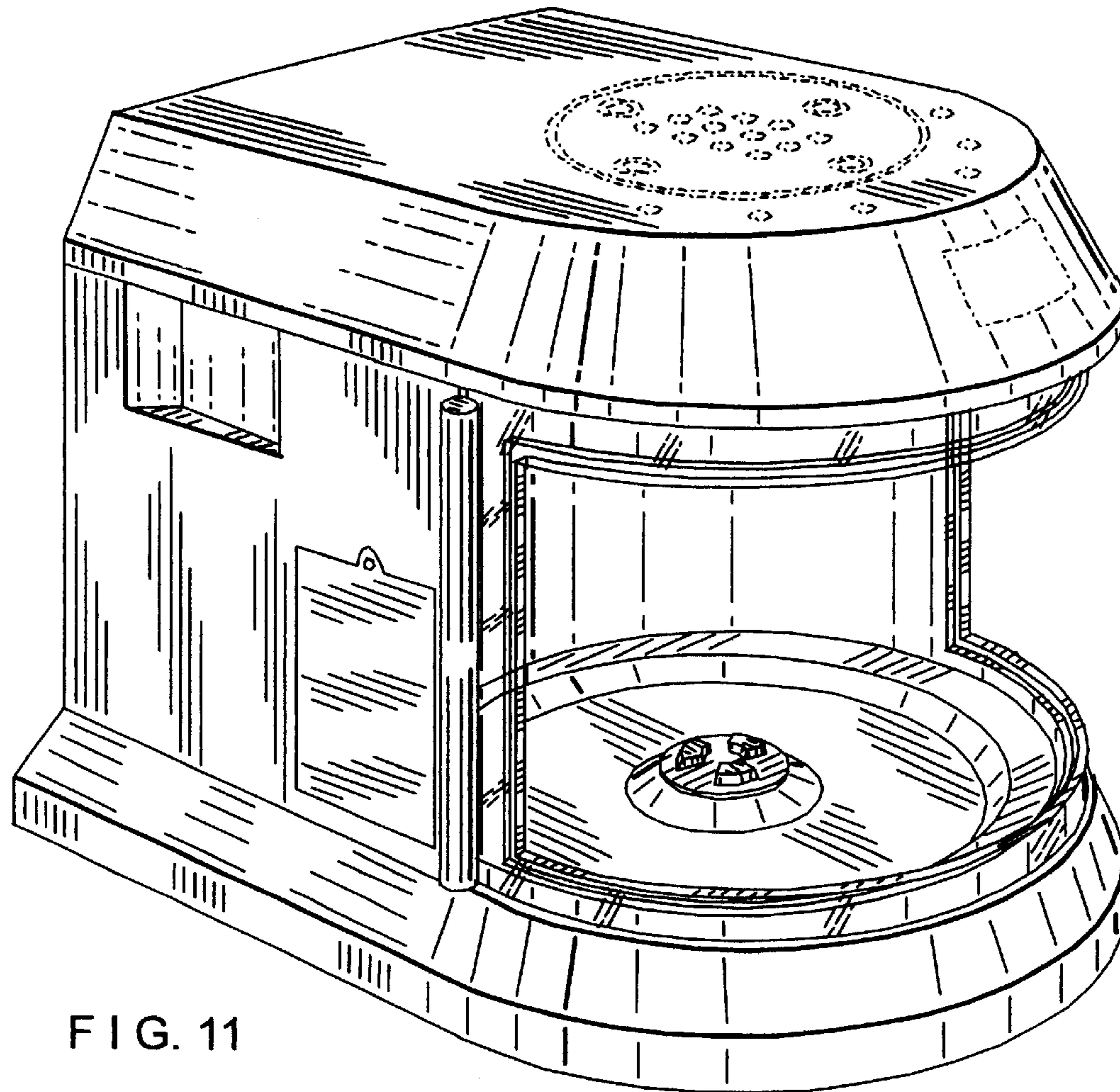
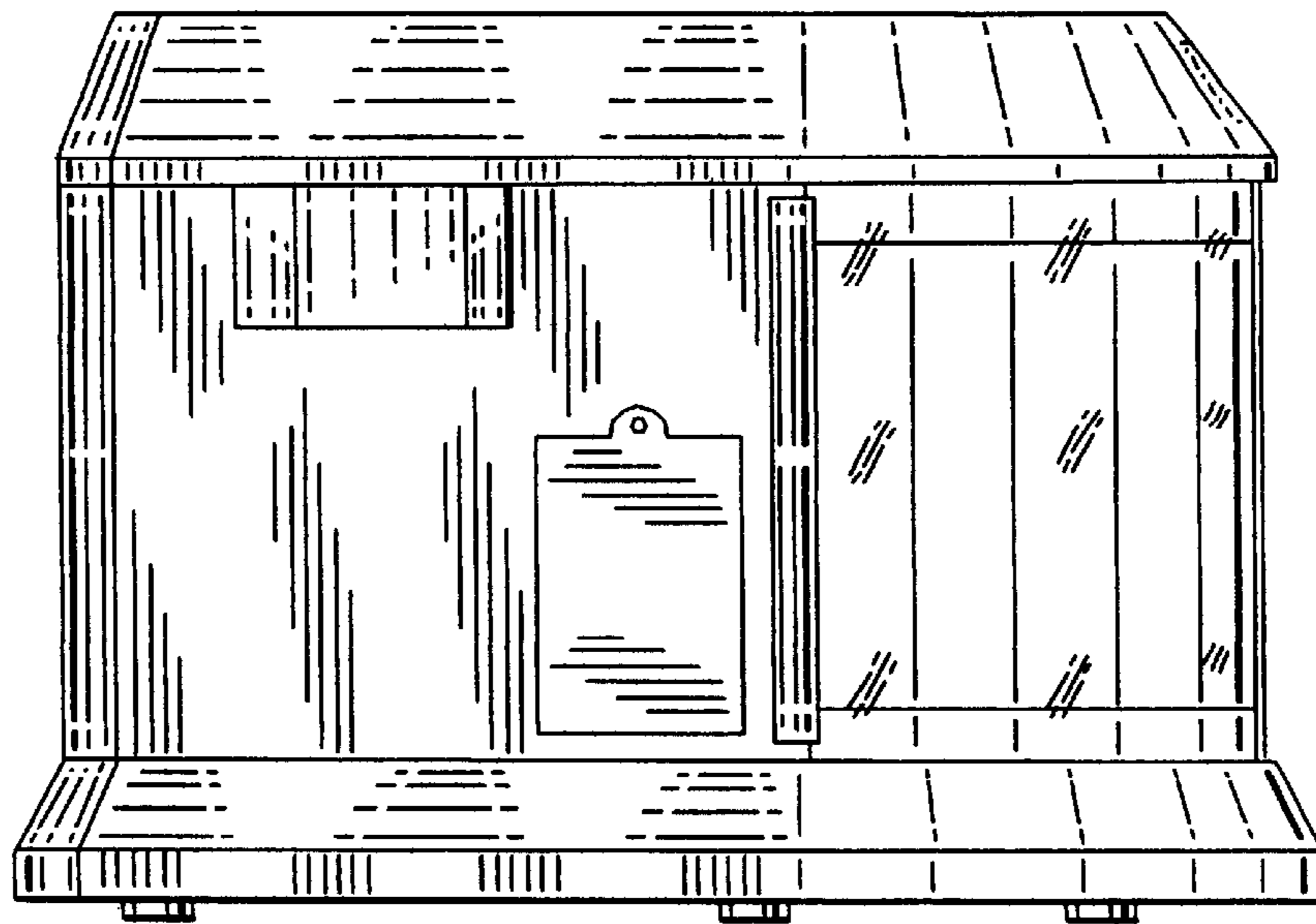


FIG. 11