



US00D523281S

(12) **United States Design Patent** (10) **Patent No.:** **US D523,281 S**  
**Dowst et al.** (45) **Date of Patent:** **\*\* Jun. 20, 2006**

(54) **SUPPORT FOR HEATING VESSEL**  
 (75) Inventors: **W. Perry Dowst**, Weare, NH (US);  
**Dwight C. Aspinwall**, Hanover, NH  
 (US)

584,162 A 6/1897 Langerfeld  
 651,952 A 6/1900 Pearlstine  
 941,915 A 11/1909 Edwards

(Continued)

(73) Assignee: **Jetboil, Inc.**, Guild, NH (US)  
 (\*\*) Term: **14 Years**

FOREIGN PATENT DOCUMENTS

(21) Appl. No.: **29/210,548**  
 (22) Filed: **Aug. 3, 2004**

DE	373125	6/1920
DE	576642	3/1932
DE	34 02 760	8/1985
DE	3516293	11/1986
DK	32658	2/1922
GB	335602	9/1930
GB	484718	5/1938
JP	62-5022	1/1987
JP	11-206572	8/1999
JP	11-244135	9/1999
JP	2001-149225	6/2001
WO	WO 2004/000082 A2	12/2003

**Related U.S. Application Data**

(63) Continuation of application No. 10/603,947, filed on Jun. 25, 2003.

(51) **LOC (8) Cl.** ..... **07-02**  
 (52) **U.S. Cl.** ..... **D7/337**  
 (58) **Field of Classification Search** ..... D7/332,  
 D7/334-337, 361, 402-405, 417; 126/9 R,  
 126/9 B, 13, 2, 25 R, 25 B, 26, 29, 37 R-38,  
 126/39 E, 40, 41 R, 50, 218, 260, 262, 274,  
 126/304 R, 305, 344, 350.1, 375.1, 506;  
 108/115; 99/447, 450; 219/451.1, 452.11,  
 219/455.11, 385, 520, 450.1; 248/129, 166,  
 248/188.6, 250, 439; 431/203

See application file for complete search history.

OTHER PUBLICATIONS

'Mountain Safety Research Catalog' [online]. Retrieved from the Internet: <http://www.msrcorp.com> (Aug. 3, 2004)—3 pgs.

International Search Report for International Application No. PCT/US03/19957, mailed from the International Searching Authority on Aug. 18, 2004 (4 pgs.).

Primary Examiner—Ruth McInroy

(74) Attorney, Agent, or Firm—Wall Marjama & Bilinski LLP

(56) **References Cited**

U.S. PATENT DOCUMENTS

26,595 A	12/1859	Danner et al.
33,909 A	12/1861	Toothhill
76,390 A	4/1868	Bevan et al.
146,906 A	1/1874	Hein
175,263 A	3/1876	Sullivan
177,978 A	5/1876	Zugg
208,251 A	9/1878	Mains
221,749 A	11/1879	Stockford
222,673 A	12/1879	Conover
261,891 A	8/1882	Wolf
305,790 A	9/1884	Burgess
376,119 A	1/1888	Thayer et al.
451,444 A	4/1891	Howe

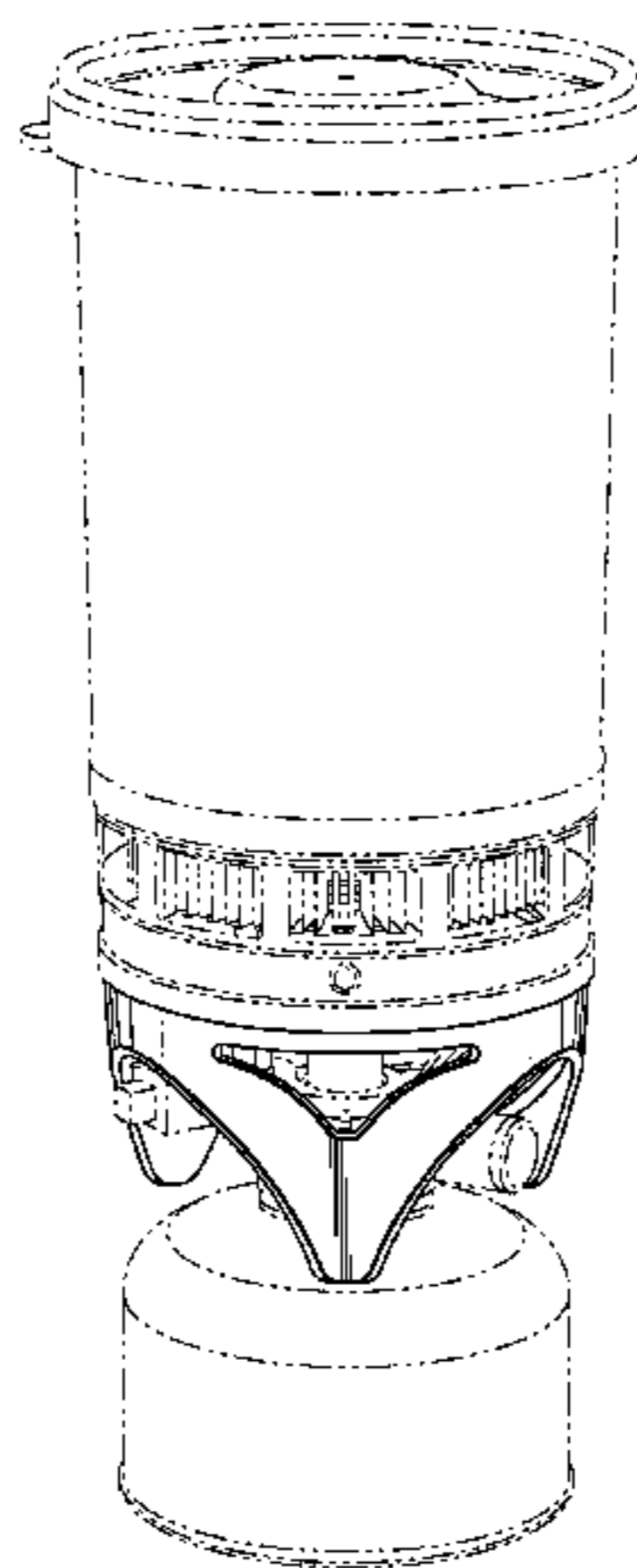
(57) **CLAIM**

The ornamental design for a support for heating vessel, as shown and described.

**DESCRIPTION**

FIG. 1 is a perspective view of a heating vessel with support showing our new design, the article shown in FIG. 1 is the same when it is rotated 120 degrees in either a clockwise or counterclockwise direction about its vertical axis. The details shown in broken lines are for illustrative purposes only and form no part of the claimed design.

**1 Claim, 1 Drawing Sheet**



# US D523,281 S

Page 2

U.S. PATENT DOCUMENTS					
945,302 A	1/1910	Brown	D184,450 S	*	2/1959 Morton ..... D7/337
986,272 A	3/1911	Ellis et al.	3,069,148 A		12/1962 Jacob
1,022,246 A	4/1912	Koretz	D196,018 S	*	8/1963 Palmer et al. .... D7/337
1,034,563 A	8/1912	Arctander	3,709,198 A		1/1973 Williams
1,058,601 A	4/1913	Knittel	3,730,165 A		5/1973 Williams
1,080,775 A	12/1913	Nelson	3,804,076 A		4/1974 Fant et al.
1,090,056 A	3/1914	Hildum et al.	3,978,844 A		9/1976 Wilkens
1,167,142 A	1/1916	Wright	D249,448 S	*	9/1978 Vache ..... D7/337
1,203,774 A	11/1916	Ogden	4,191,173 A		3/1980 Dedeian et al.
1,232,227 A	7/1917	Corbitt	4,583,941 A		4/1986 Elperin et al.
1,260,798 A	3/1918	Popper	4,643,164 A	*	2/1987 LaForge ..... 126/44
1,578,741 A	3/1926	Arthur et al.	4,829,981 A		5/1989 Burrell
2,014,931 A	9/1935	Genovar, Jr.	5,048,506 A		9/1991 Hayashi
2,036,611 A	4/1936	Simmons	5,125,393 A		6/1992 Levitin
2,154,305 A	4/1939	Goerl	5,373,836 A		12/1994 Mifune et al.
D143,360 S	* 12/1945	Stempel et al. .... D7/337	5,408,987 A		4/1995 Mifune et al.
2,502,434 A	4/1950	Creitz	5,564,589 A		10/1996 Fu et al.
2,570,508 A	10/1951	Balkema	5,598,833 A		2/1997 Nitta et al.
2,575,299 A	11/1951	Scheel	5,690,094 A		11/1997 Sheinfeld et al.
2,595,527 A	5/1952	Kells et al.	D444,991 S	*	7/2001 Measom ..... D7/337
2,641,245 A	6/1953	Chambers et al.	D478,771 S	*	8/2003 Wu ..... D7/337
2,678,644 A	5/1954	Banks et al.	D486,348 S	*	2/2004 Zhu ..... D7/332
2,756,738 A	7/1956	Kratz	2004/0011350 A1		1/2004 Dowst et al.

\* cited by examiner

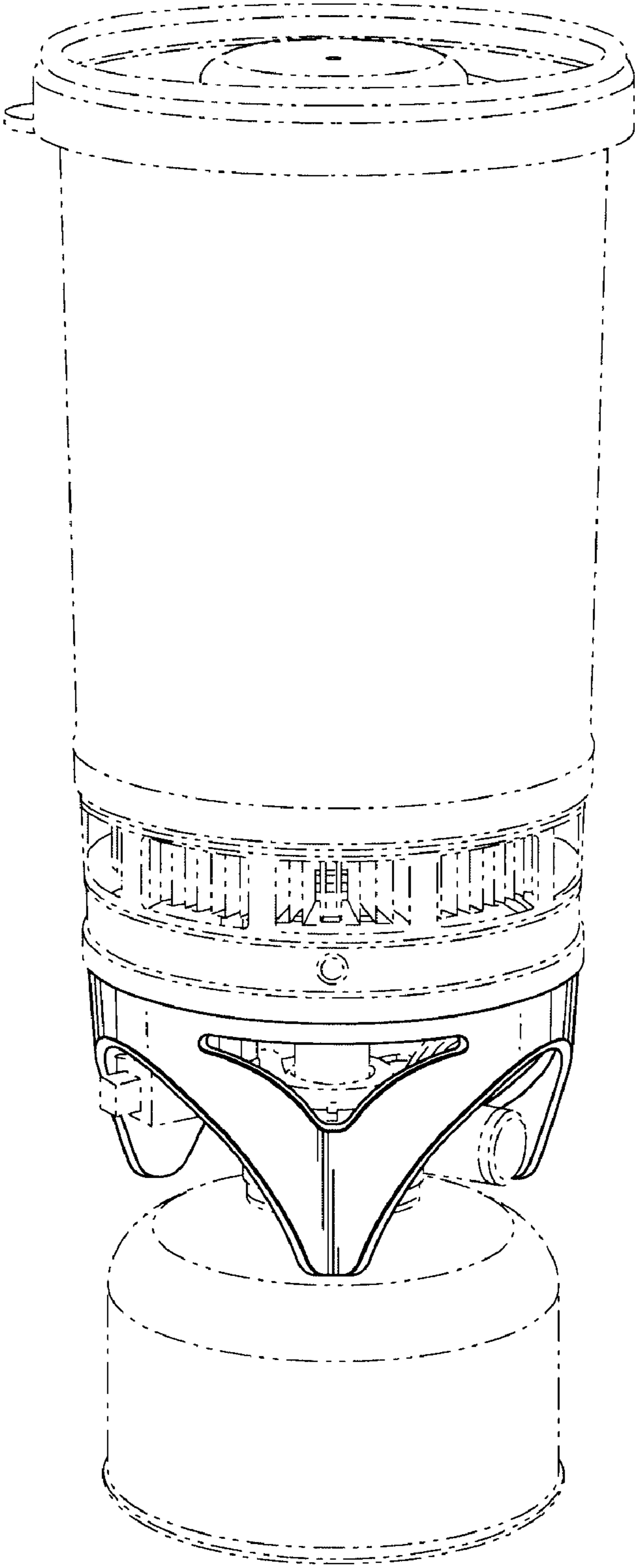


FIG. 1