

US00D523280S

(12) **United States Design Patent**
Bertulis

(10) **Patent No.:** **US D523,280 S**

(45) **Date of Patent:** **** Jun. 20, 2006**

(54) **PITCHER**

(75) Inventor: **Eugenia M. Bertulis**, Seattle, WA (US)

(73) Assignee: **Progressive International Corporation**, Kent, WA (US)

(**) Term: **14 Years**

(21) Appl. No.: **29/206,404**

(22) Filed: **May 28, 2004**

(51) **LOC (8) Cl.** **07-01**

(52) **U.S. Cl.** **D7/317; D7/319**

(58) **Field of Classification Search** D7/300,
D7/312, 319, 318, 317, 316, 600; D23/213,
D23/212, 209; 99/323.3; 210/188, 232, 282,
210/85; 222/472, 556, 465.1, 572, 144.5
See application file for complete search history.

(56) **References Cited**

U.S. PATENT DOCUMENTS

D184,814	S	*	4/1959	James	D7/319
D196,866	S	*	11/1963	Lewis	D7/317
D220,773	S	*	5/1971	Dilyard	D7/317
D229,012	S	*	11/1973	Wooters	D7/317
D270,602	S	*	9/1983	Fritz	D7/319
D303,904	S	*	10/1989	Wolfenden	D7/317
D304,799	S	*	11/1989	Freese	D7/319
D313,726	S	*	1/1991	Scherer	D7/317
5,388,729	A	*	2/1995	Gerringer	222/130
5,637,214	A	*	6/1997	Kahana	210/282
D389,004	S	*	1/1998	Hampshire et al.	D7/319
6,524,477	B1	*	2/2003	Hughes	210/282
6,649,045	B1	*	11/2003	Tanner et al.	210/85

* cited by examiner

Primary Examiner—M. N. Pandozzi

(74) *Attorney, Agent, or Firm*—Black Lowe & Graham, PLLC

(57) **CLAIM**

I claim the ornamental design for the pitcher, as shown.

DESCRIPTION

FIG. 1 is a top perspective view of a pitcher showing my new design;

FIG. 2 is an exploded perspective view thereof;

FIG. 3 is a top perspective view of the lid with the rest of the pitcher removed for ease of illustration;

FIG. 4 is a top plan view thereof;

FIG. 5 is a bottom plan view thereof;

FIG. 6 is a right side elevational view thereof, the left side elevational view being a mirror image thereof;

FIG. 7 is a front elevational view thereof;

FIG. 8 is a rear elevational view thereof;

FIG. 9 is a perspective view of the insert portion of the pitcher with the pitcher and lid portions removed for ease of illustration;

FIG. 10 is a left side elevational view thereof, the right side elevational view being identical;

FIG. 11 is a top plan view thereof;

FIG. 12 is a bottom plan view thereof;

FIG. 13 is a front elevational view thereof

FIG. 14 is a perspective view of the pitcher with the lid and insert removed for ease of illustration;

FIG. 15 is a top plan view thereof;

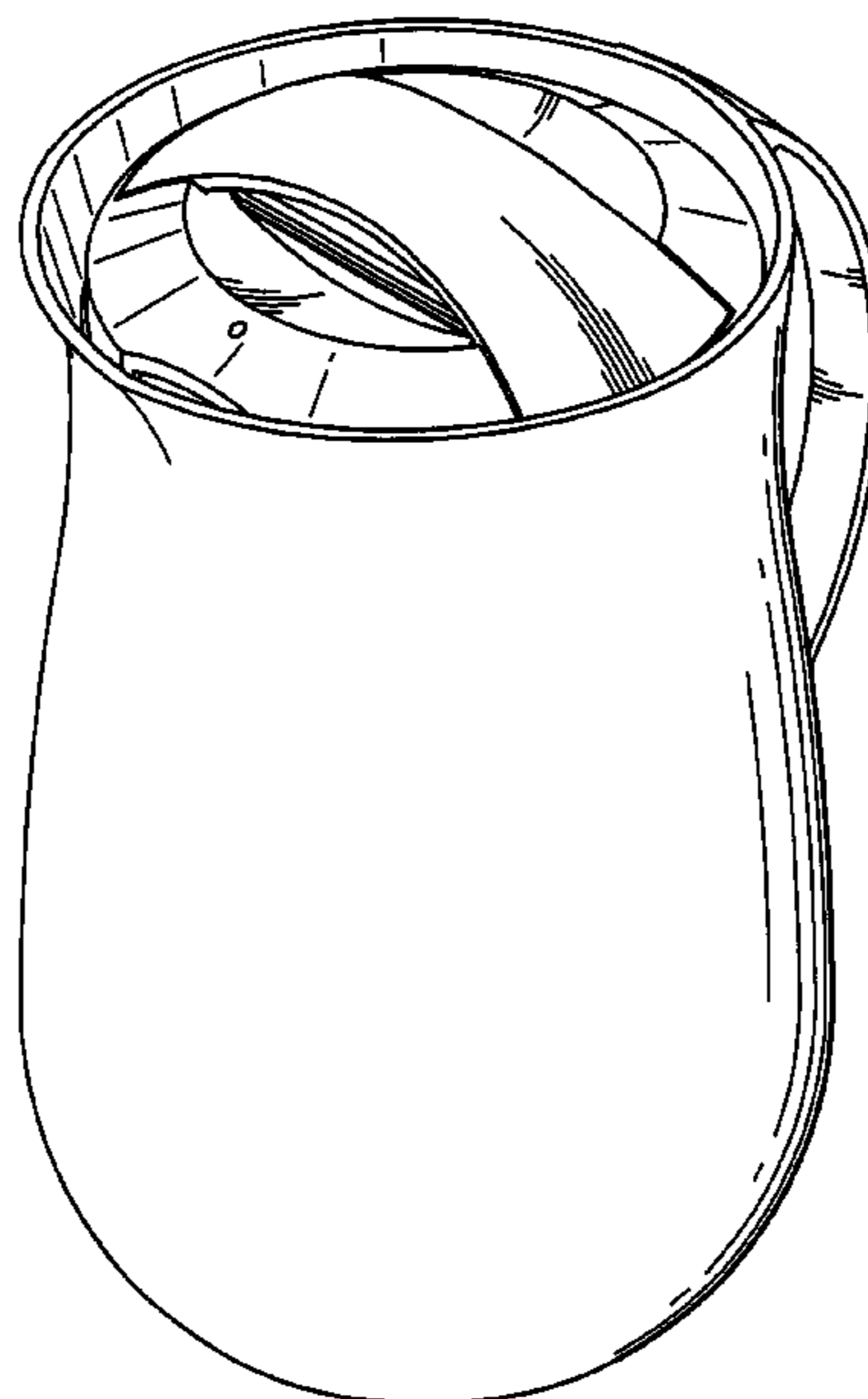
FIG. 16 is a bottom plan view thereof;

FIG. 17 is a front elevational view thereof;

FIG. 18 is a rear elevational view thereof; and,

FIG. 19 is a left side elevational view thereof, the right side elevational view being a mirror image thereof.

1 Claim, 9 Drawing Sheets



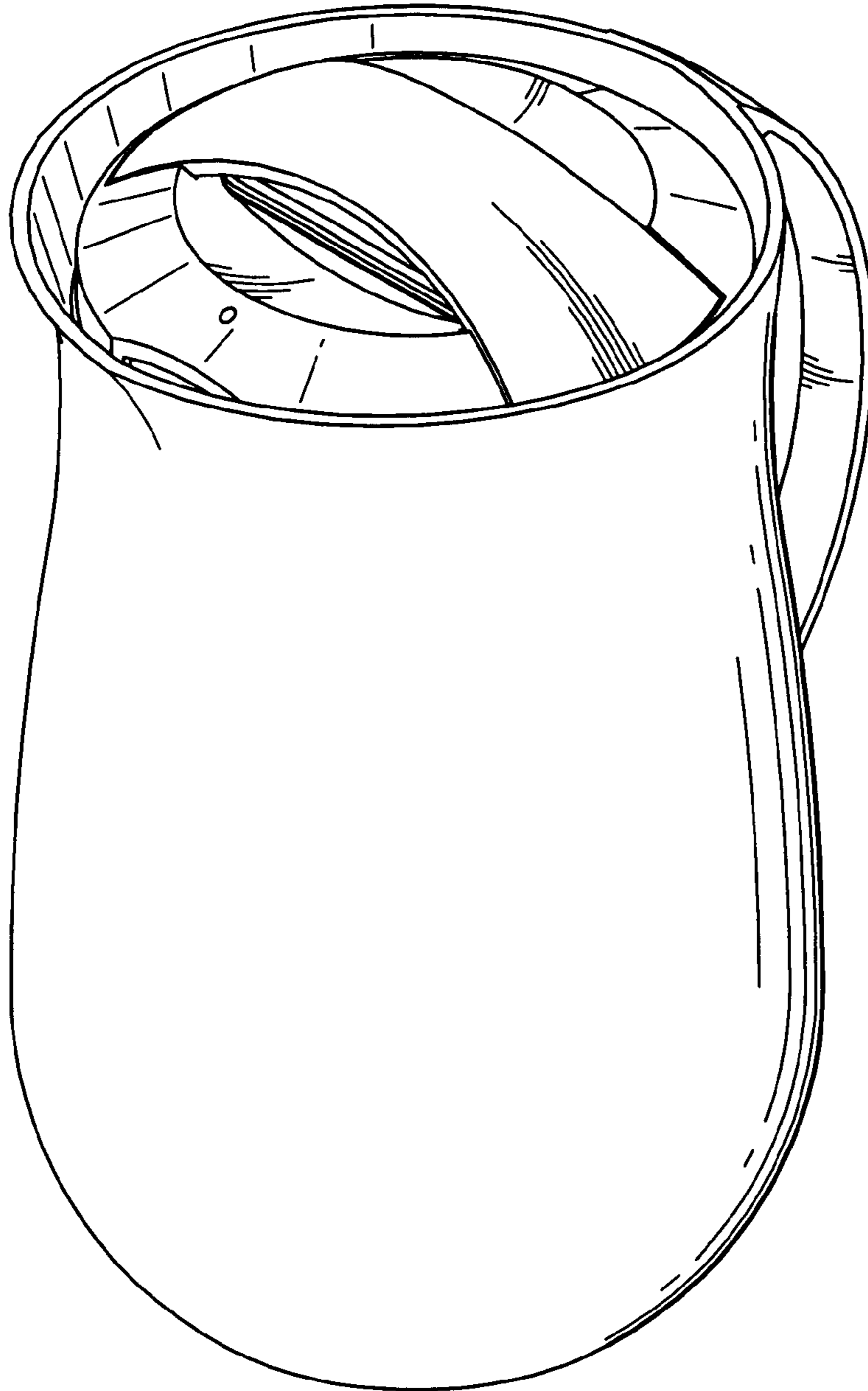


Fig. 1

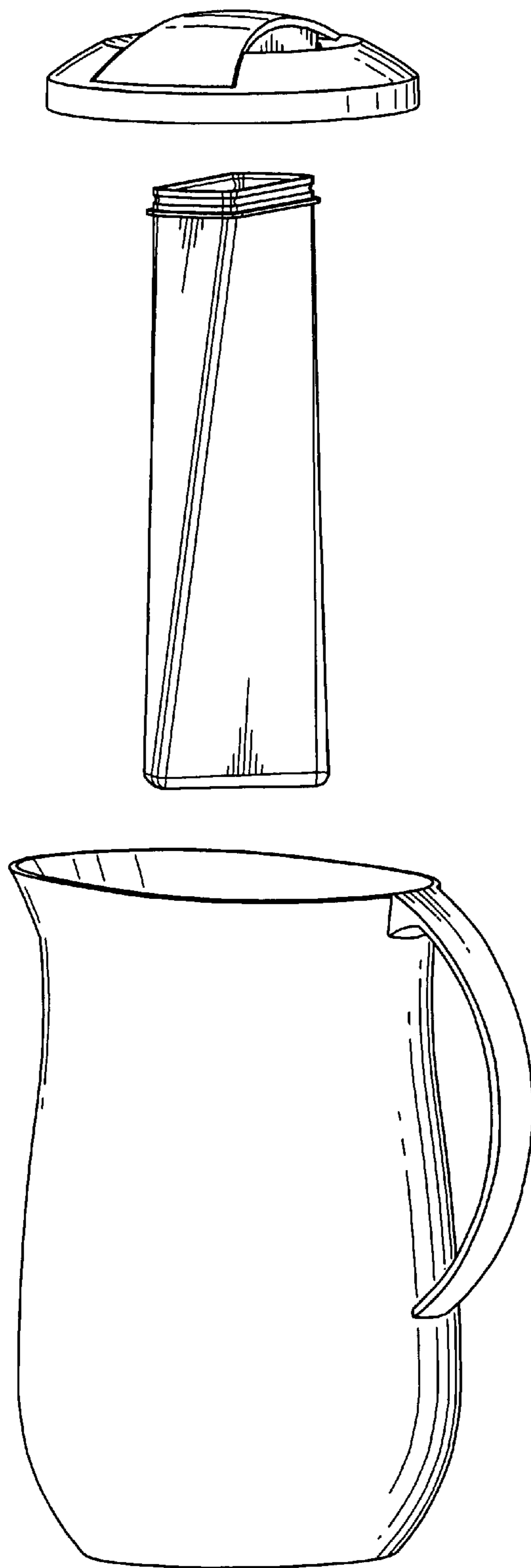


Fig. 2

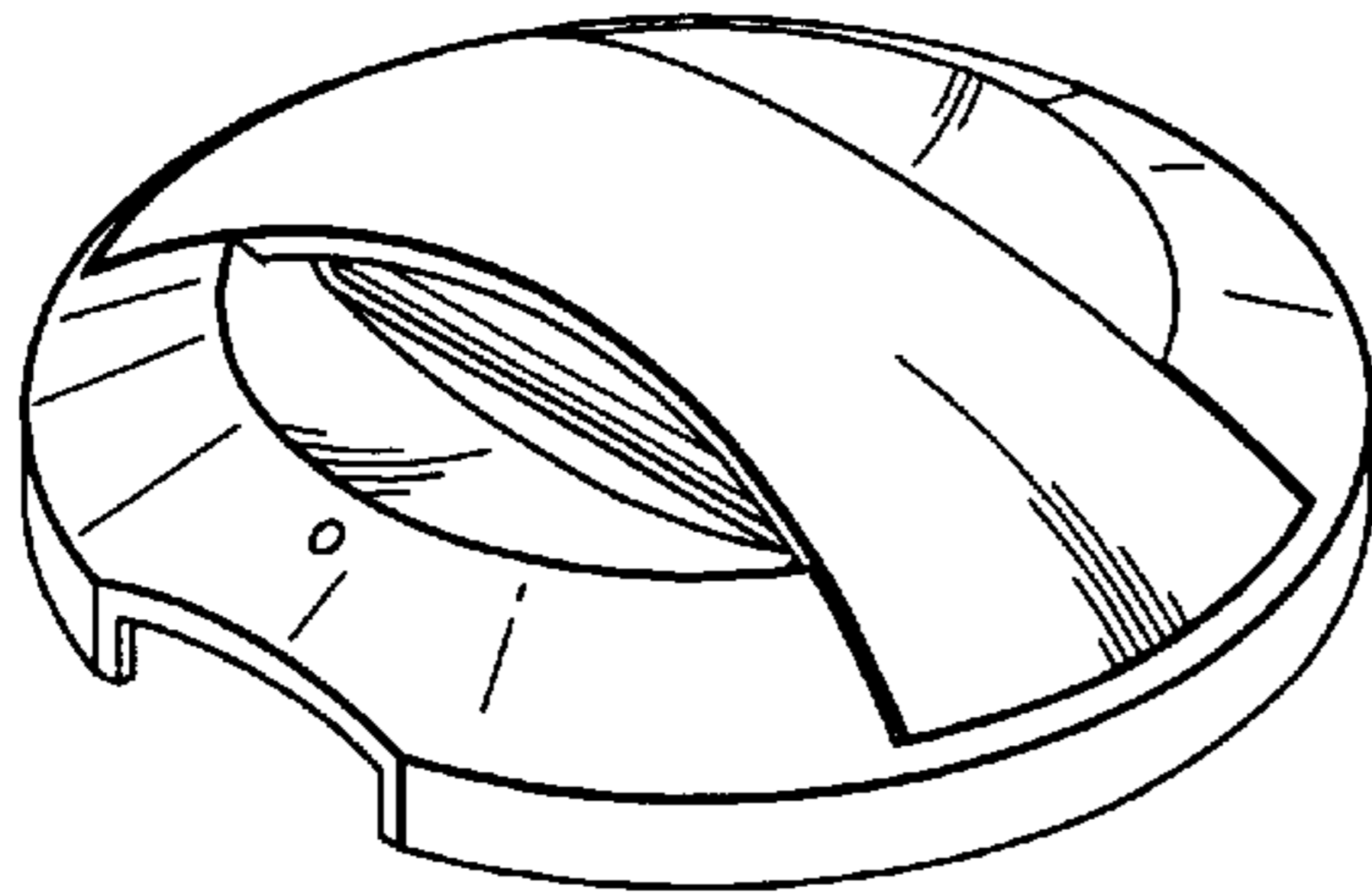


Fig. 3

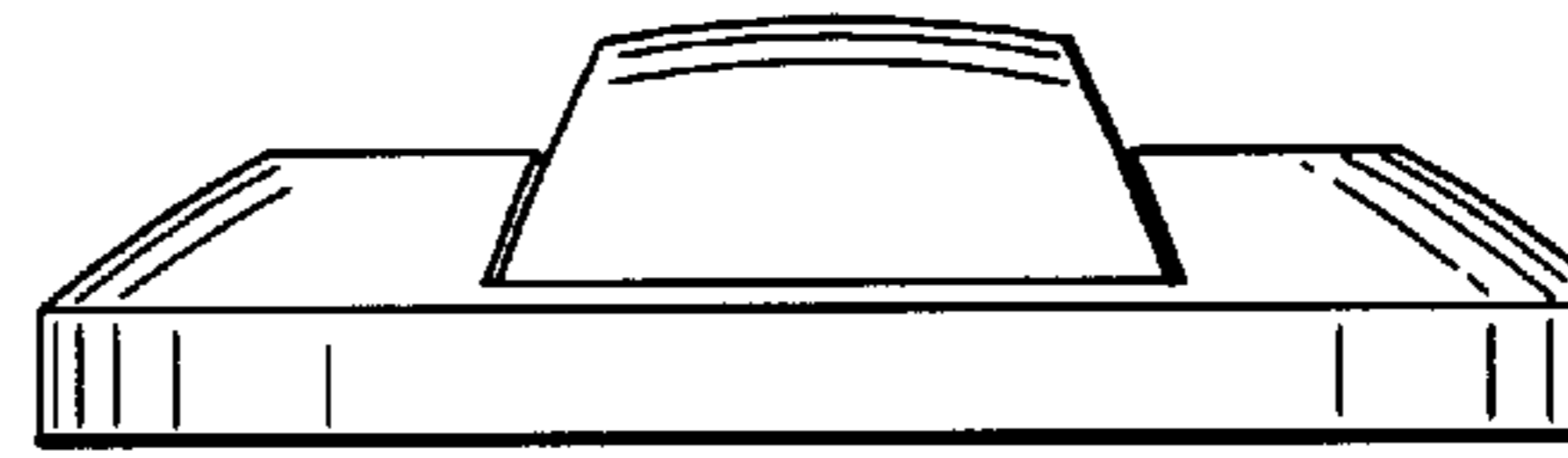


Fig. 6

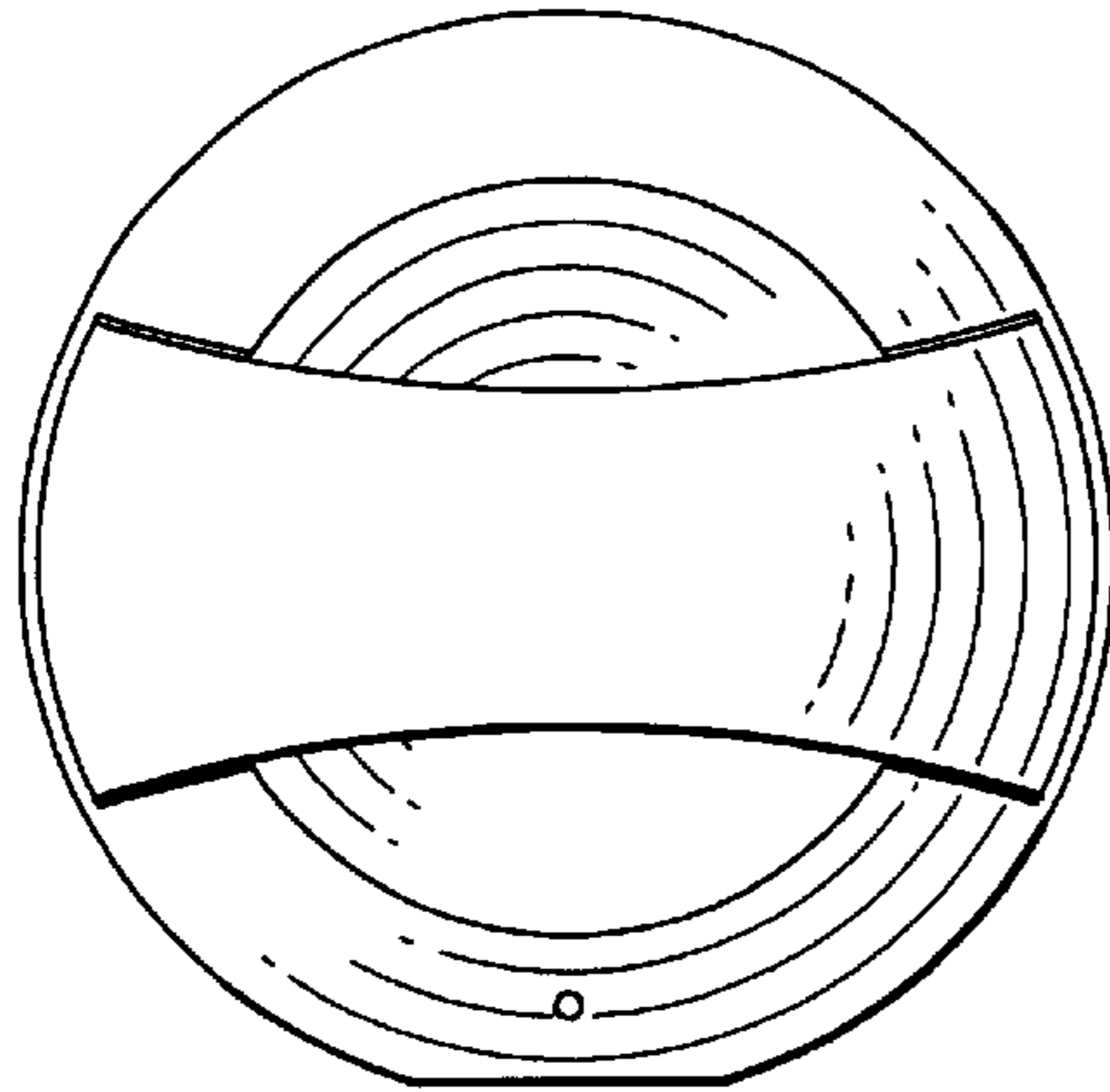


Fig. 4

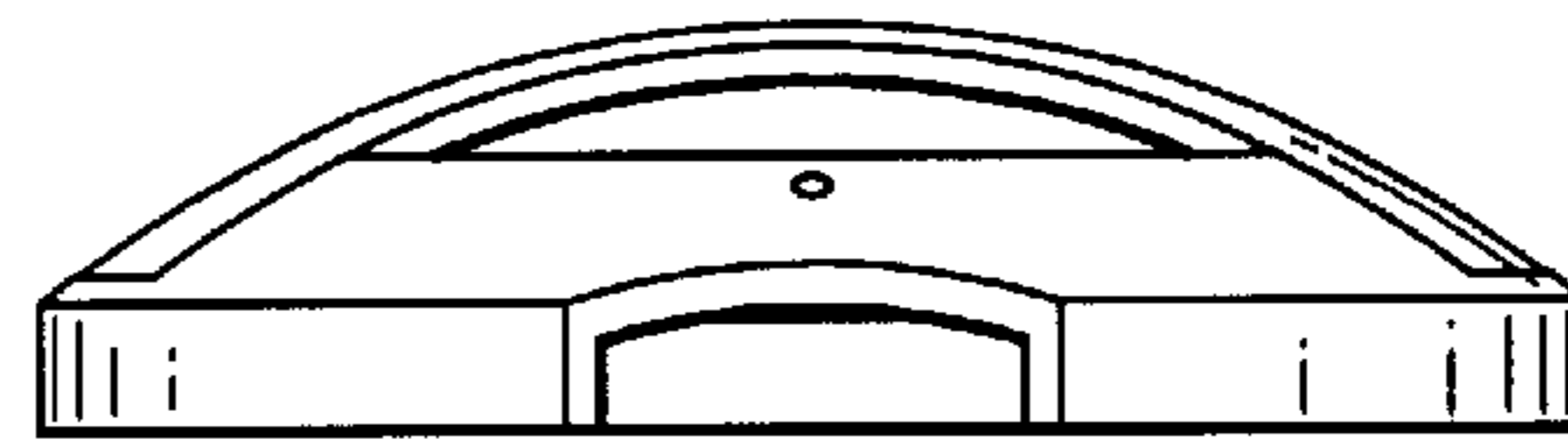


Fig. 7

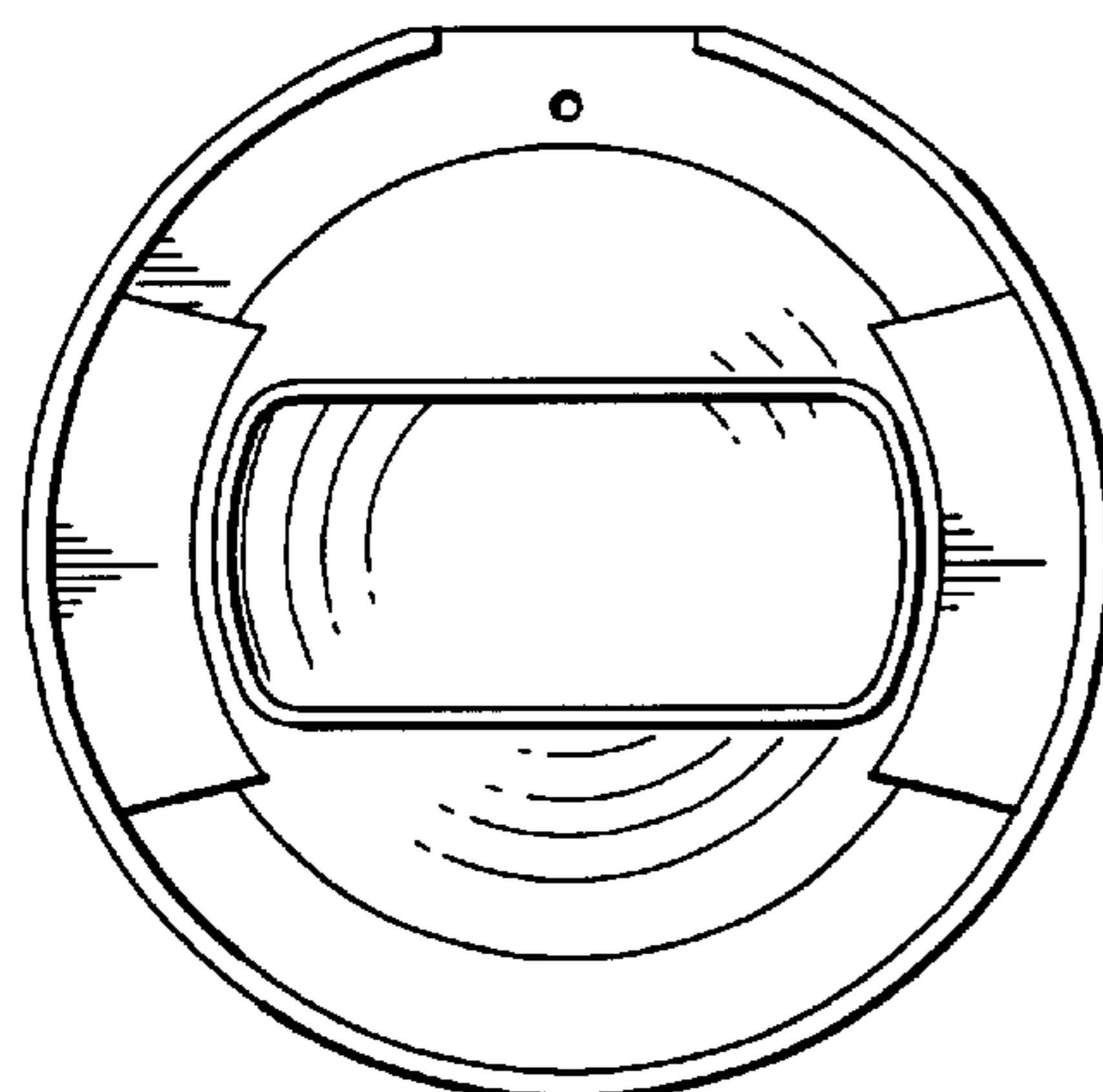


Fig. 5

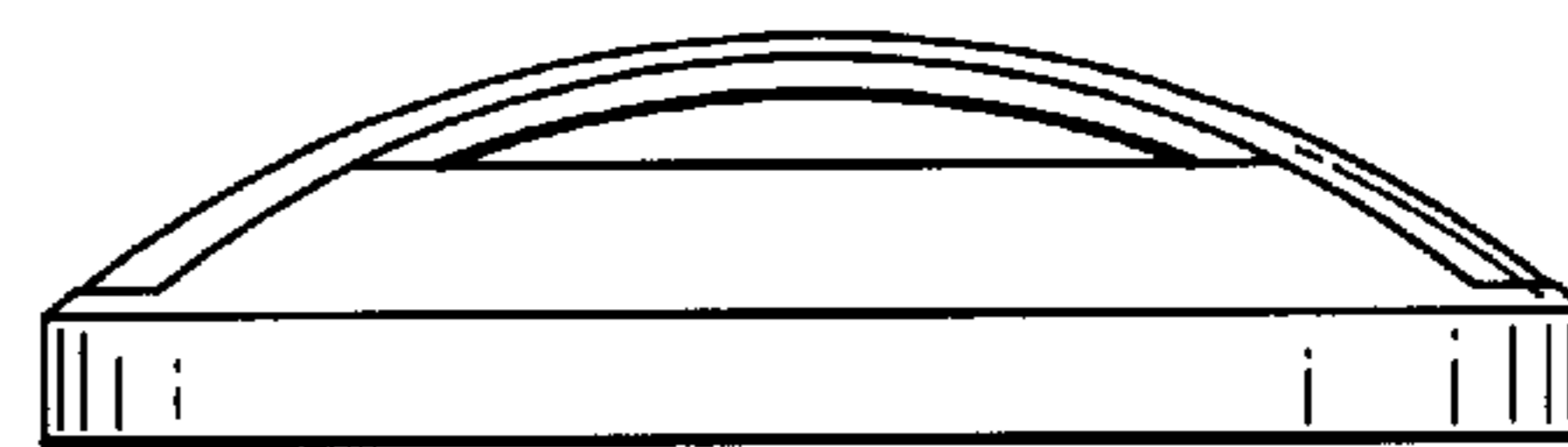


Fig. 8

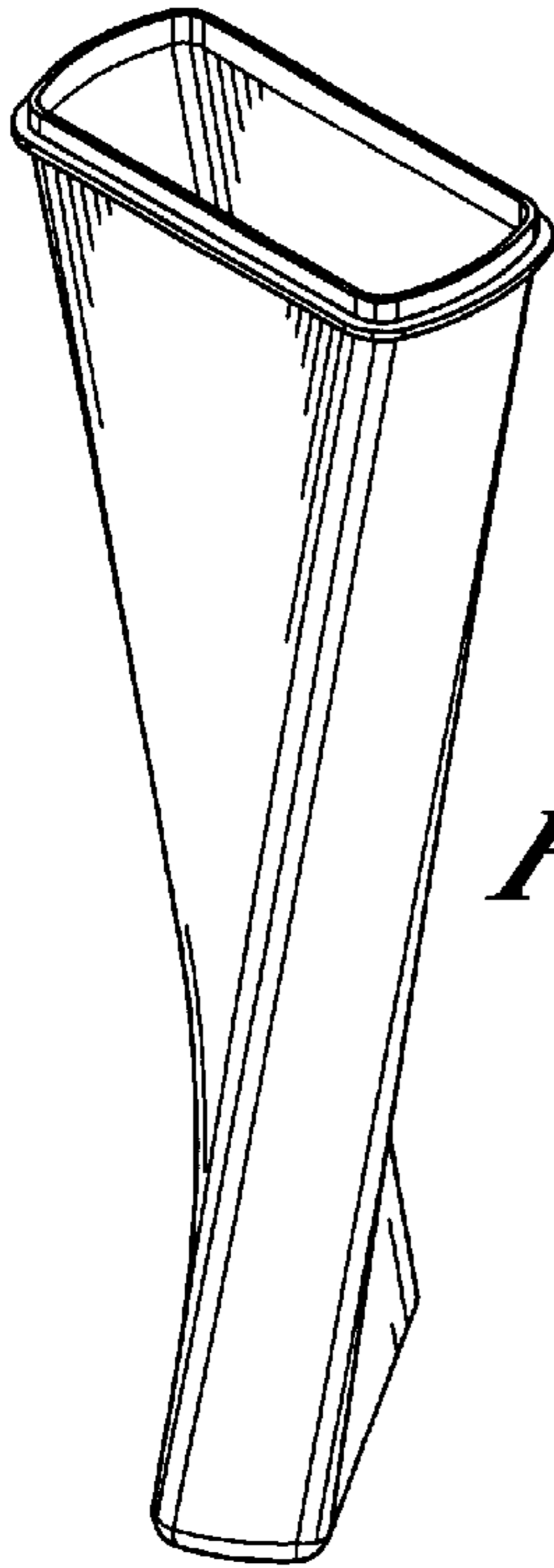


Fig. 9

Fig. 11

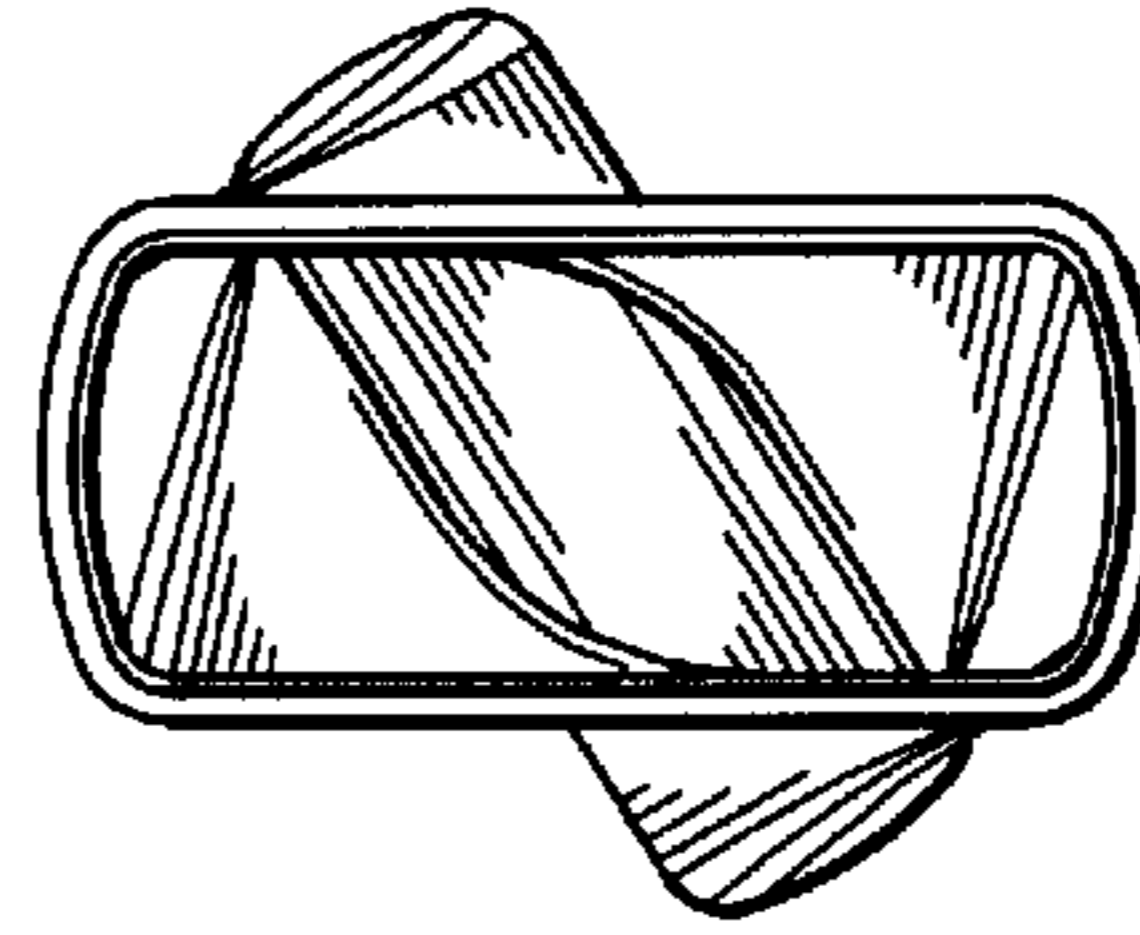


Fig. 12

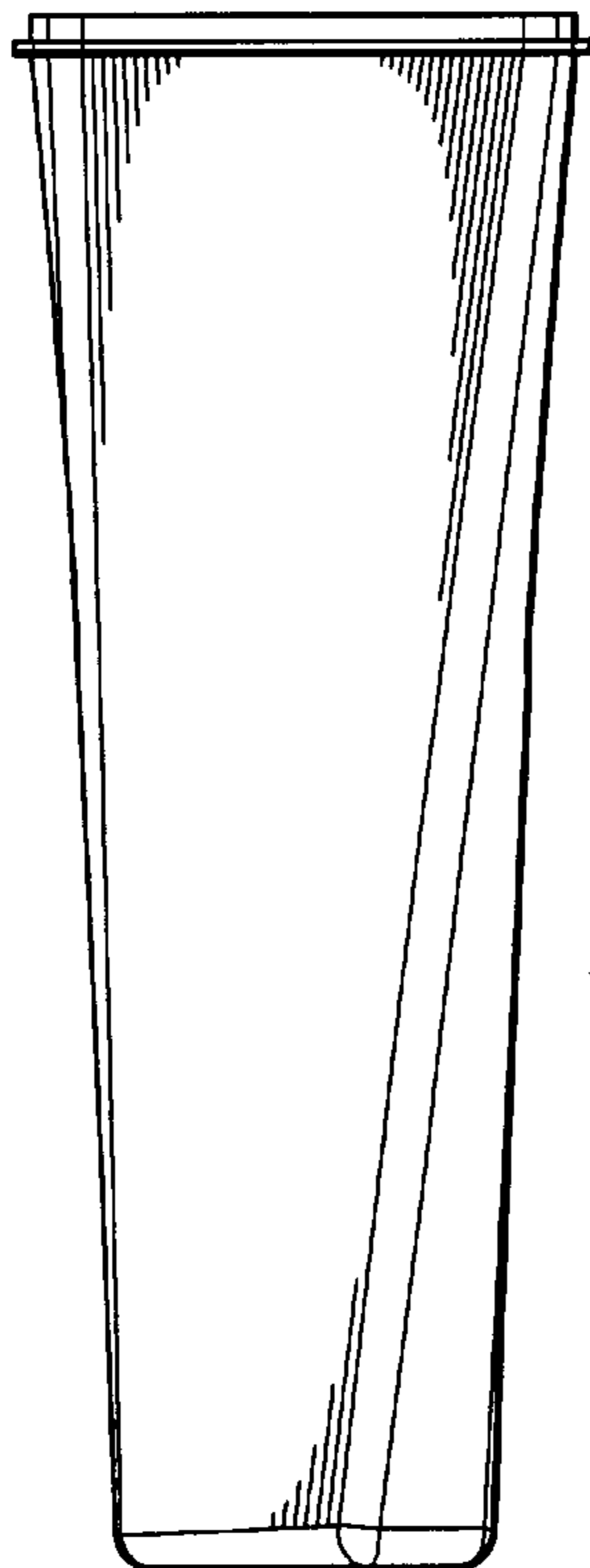
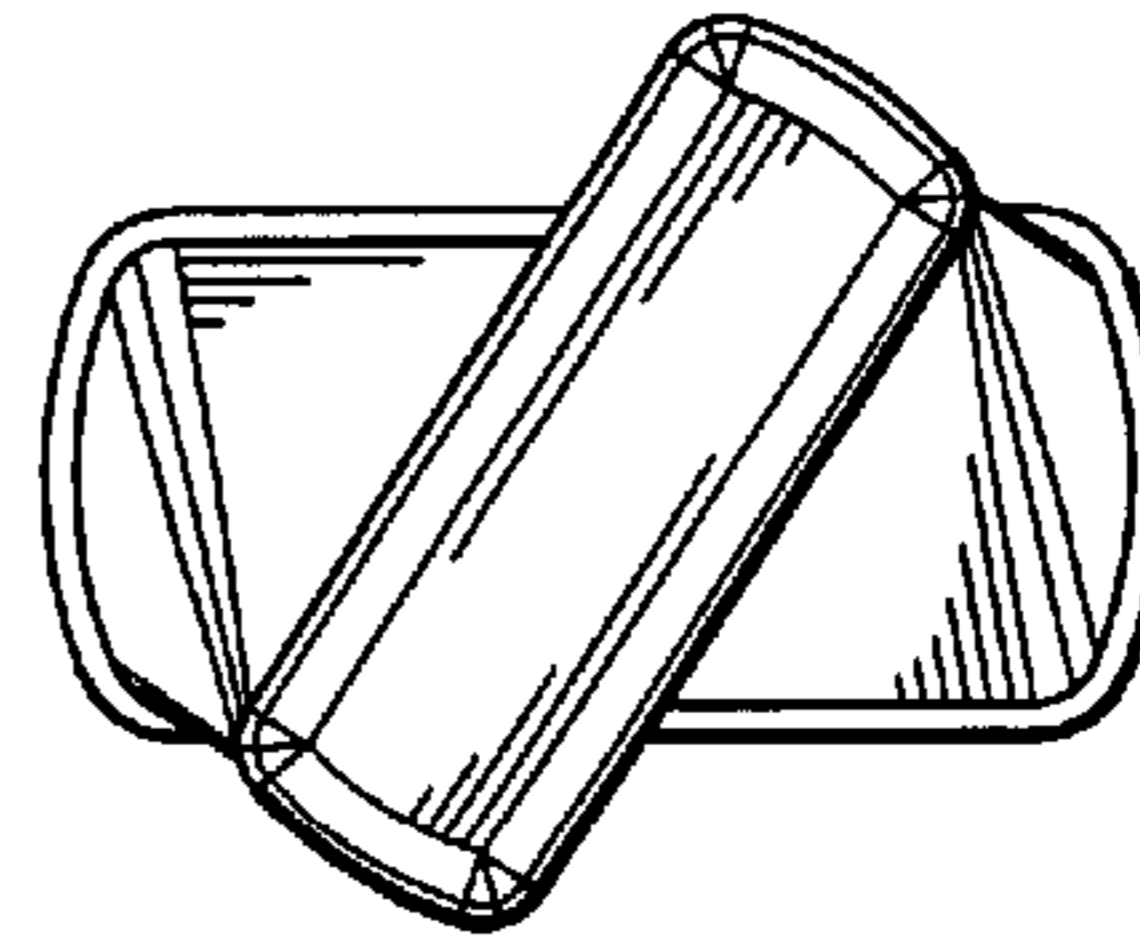


Fig. 10

Fig. 13

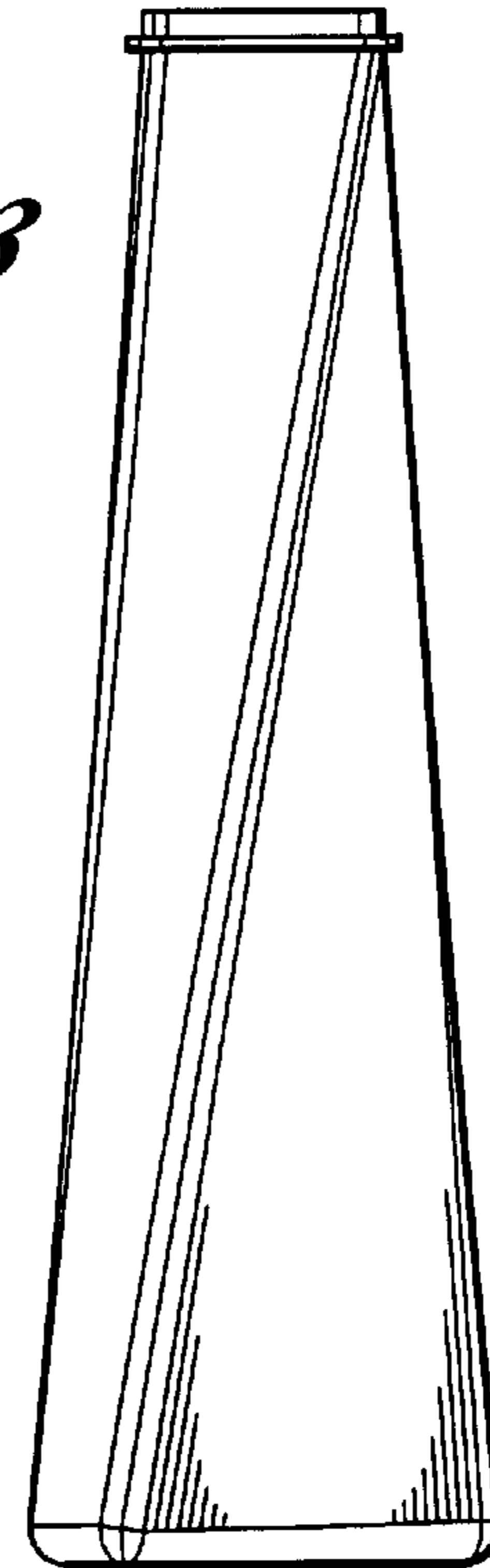




Fig. 14

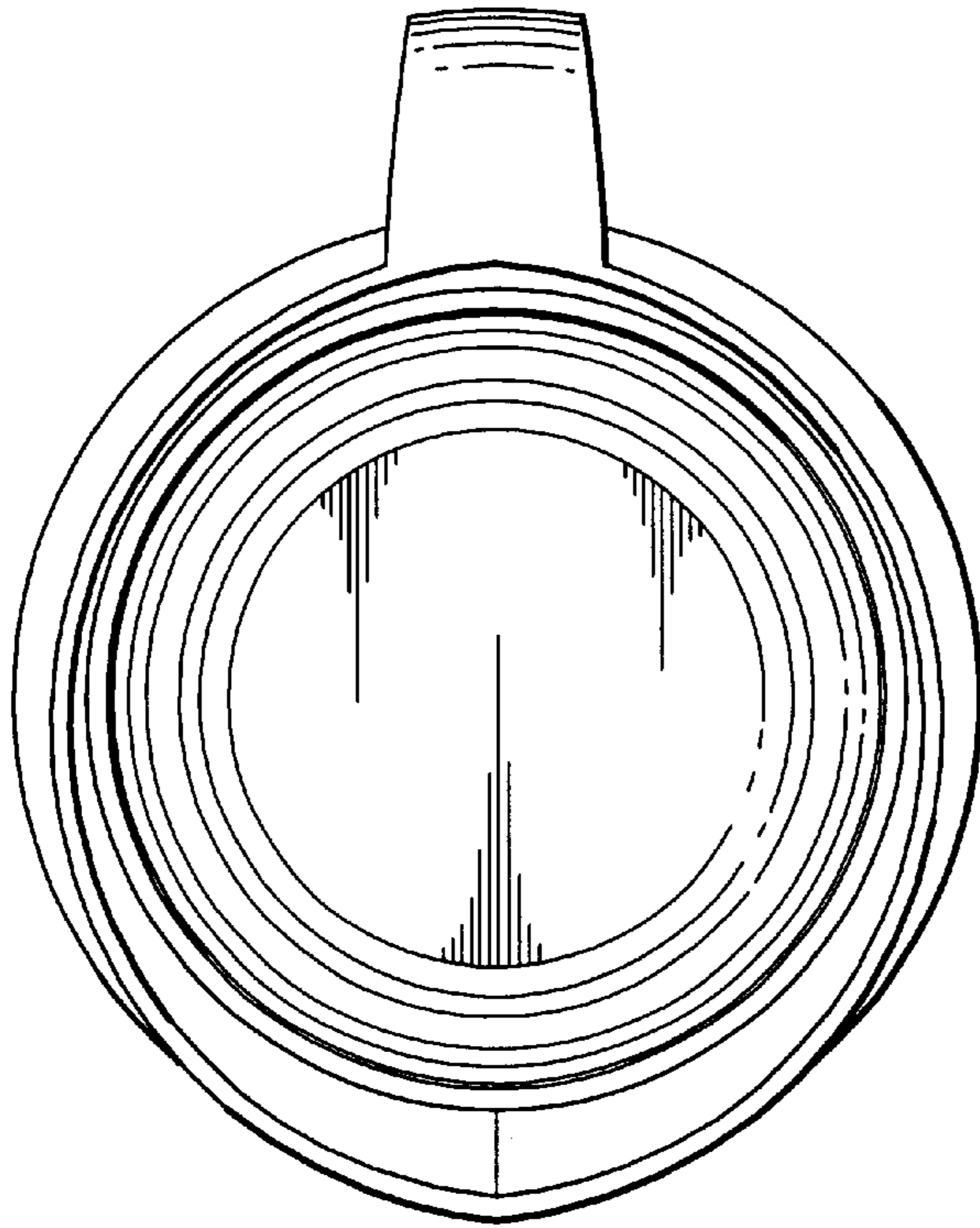


Fig.15

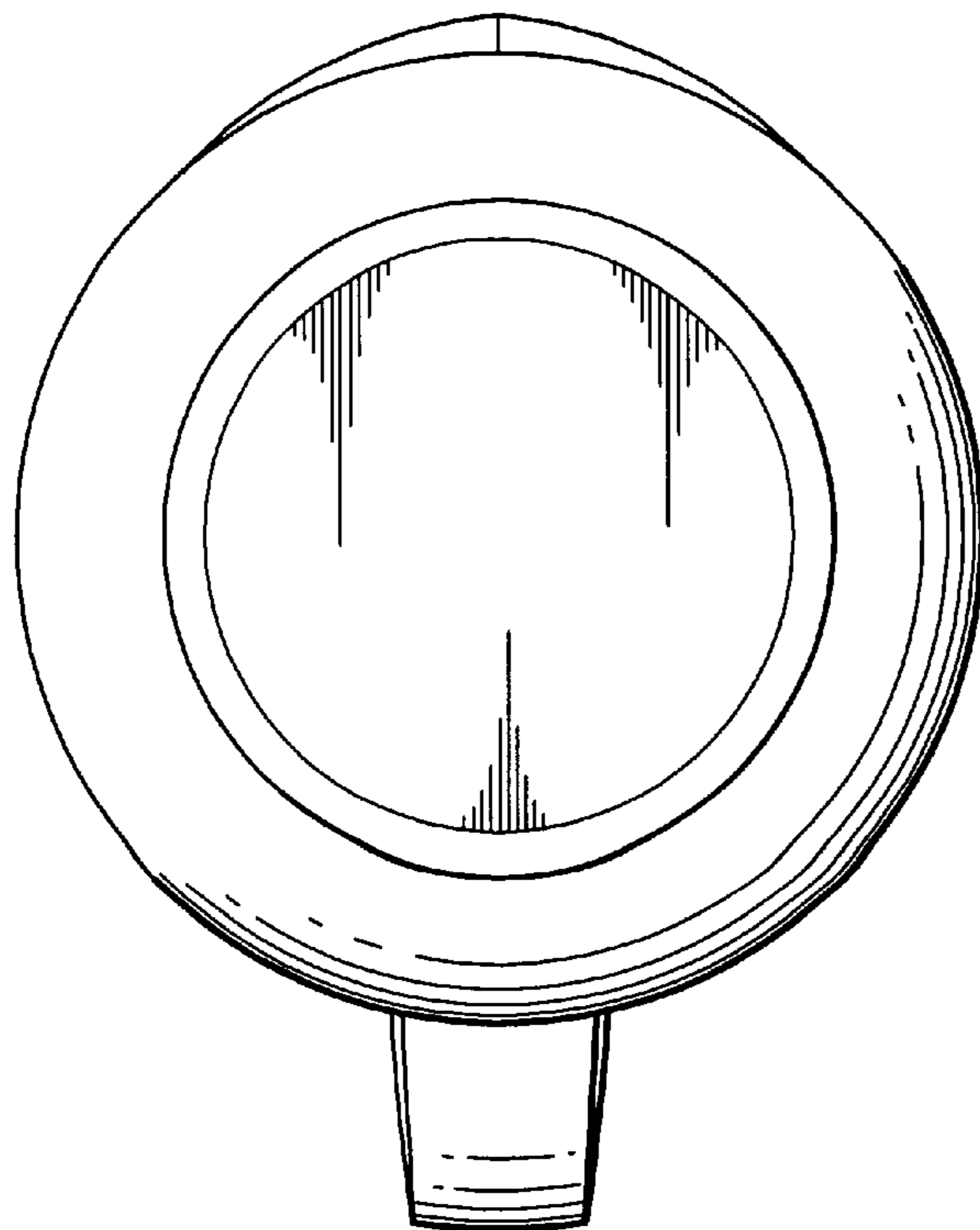


Fig.16

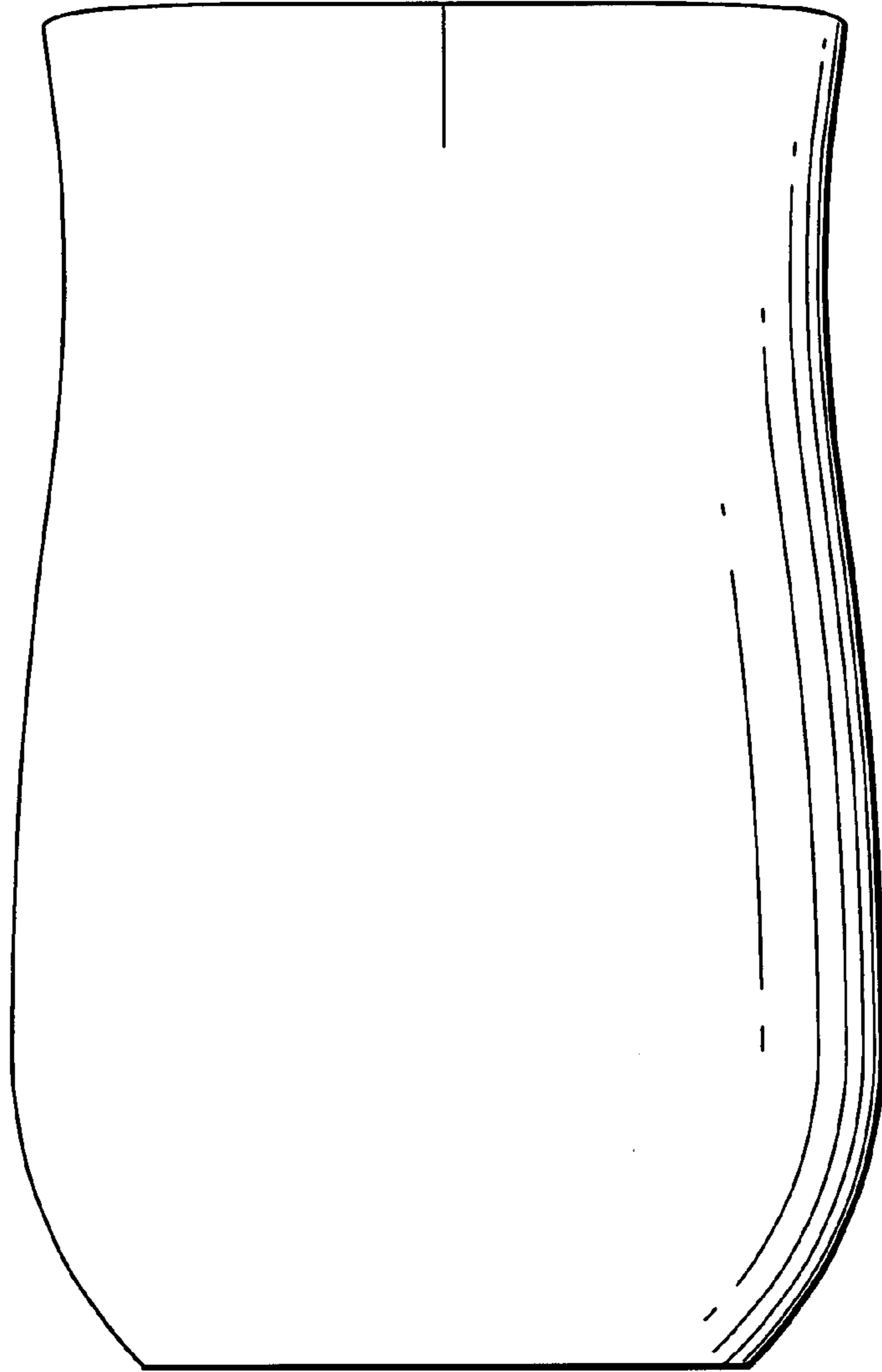


Fig. 17

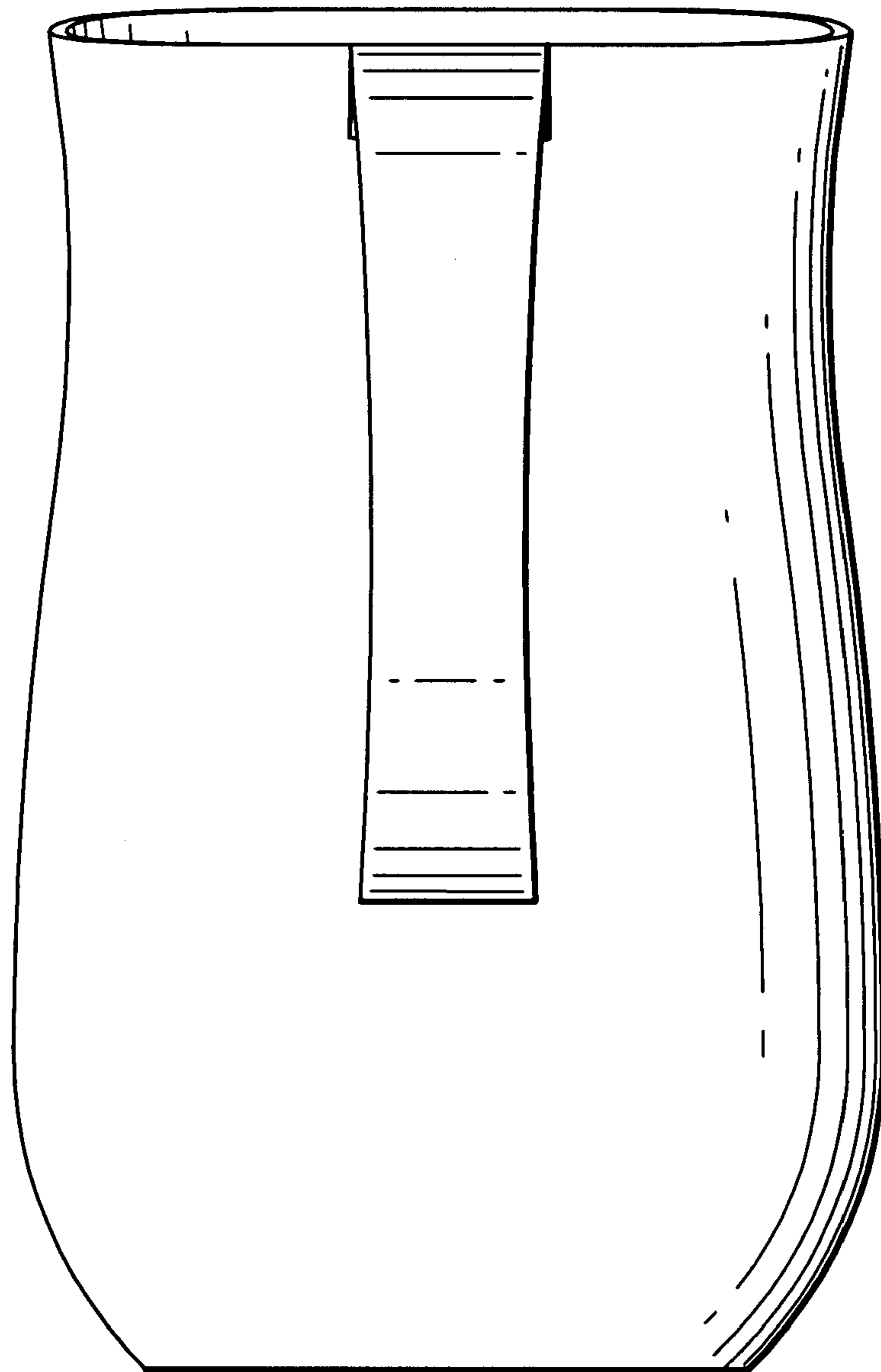


Fig. 18

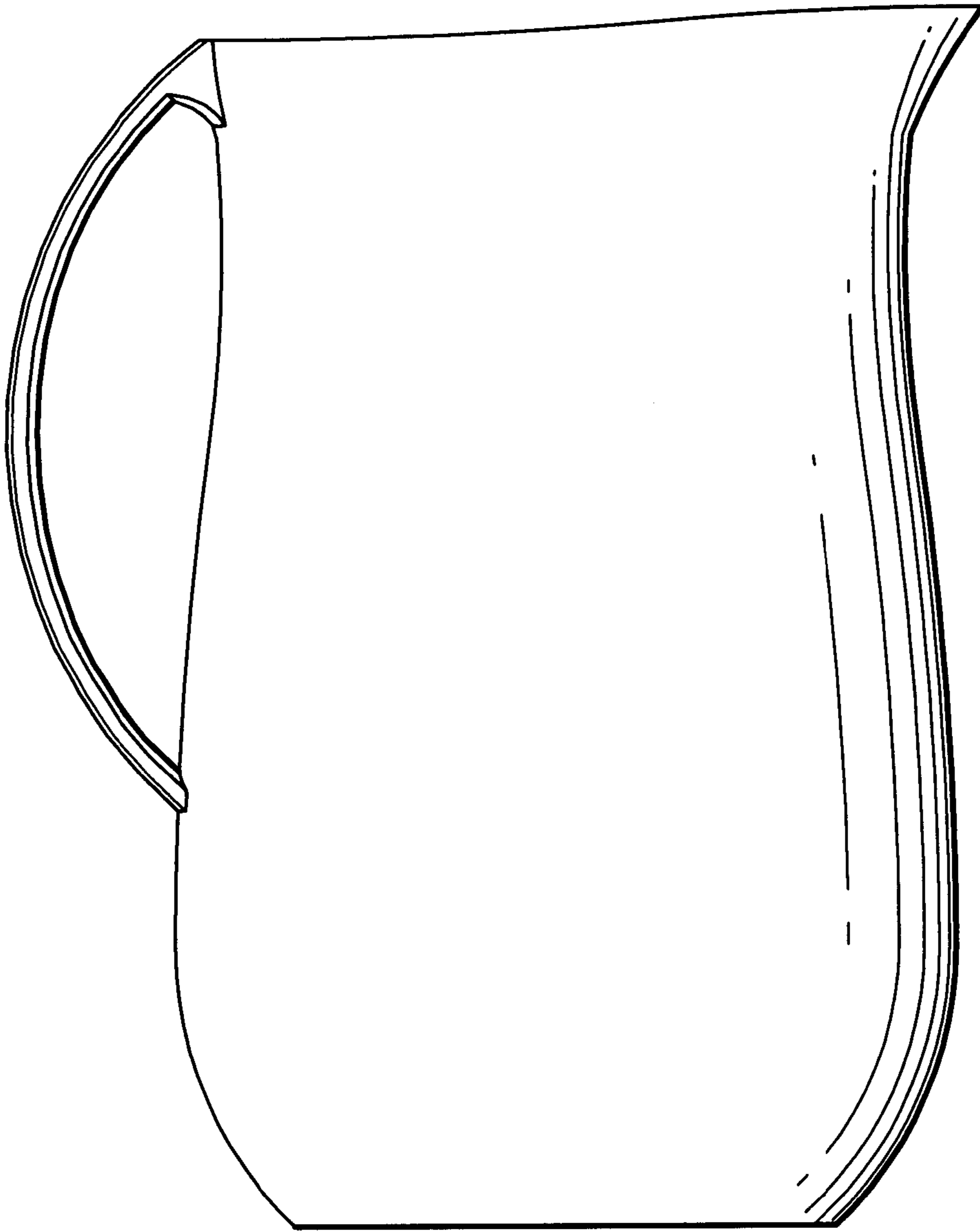


Fig. 19