



US00D523279S

(12) **United States Design Patent**
Zemp

(10) **Patent No.:** **US D523,279 S**
(45) **Date of Patent:** **** Jun. 20, 2006**

(54) **COFFEE MAKER**
(75) Inventor: **Werner Zemp**, Gockhausen (CH)
(73) Assignee: **Jura Elektroapparate AG**,
Niederbuchsiten (CH)
(**) Term: **14 Years**

D431,751 S 10/2000 Cahen
D441,593 S 5/2001 Gudefin
D449,198 S 10/2001 Cahen
D449,199 S 10/2001 Cahen
D449,488 S 10/2001 Cahen
D481,580 S * 11/2003 Daniels et al. D7/309
D481,901 S * 11/2003 Daniels et al. D7/309
D486,345 S * 2/2004 Schwamkrug D7/309
D486,346 S 2/2004 Jönsson

(21) Appl. No.: **29/214,125**
(22) Filed: **Sep. 28, 2004**
(30) **Foreign Application Priority Data**

Mar. 31, 2004 (WO) DM/065 224

(51) **LOC (8) Cl.** **07-01**
(52) **U.S. Cl.** **D7/309; D7/311; D7/307**
(58) **Field of Classification Search** **D7/300,**
D7/309, 306, 305, 310, 311, 307, 308; 99/293,
99/287, 289 R, 288, 279
See application file for complete search history.

(56) **References Cited**

U.S. PATENT DOCUMENTS

4,852,474 A 8/1989 Mahlich et al.
D323,949 S 2/1992 Kahlcke
D360,802 S 8/1995 Seiffert
D364,306 S 11/1995 Storsberg
D377,576 S 1/1997 Amiel
D385,455 S 10/1997 Cortese
D390,060 S 2/1998 Seiffert
D395,976 S 7/1998 Seiffert et al.
D396,987 S 8/1998 Seiffert
D400,046 S 10/1998 Seiffert
D414,371 S 9/1999 Seiffert
D431,748 S 10/2000 Cahen
D431,749 S 10/2000 Cahen
D431,750 S 10/2000 Cahen

* cited by examiner

Primary Examiner—M. N. Pandozzi

(74) *Attorney, Agent, or Firm*—Alston & Bird LLP

(57) **CLAIM**

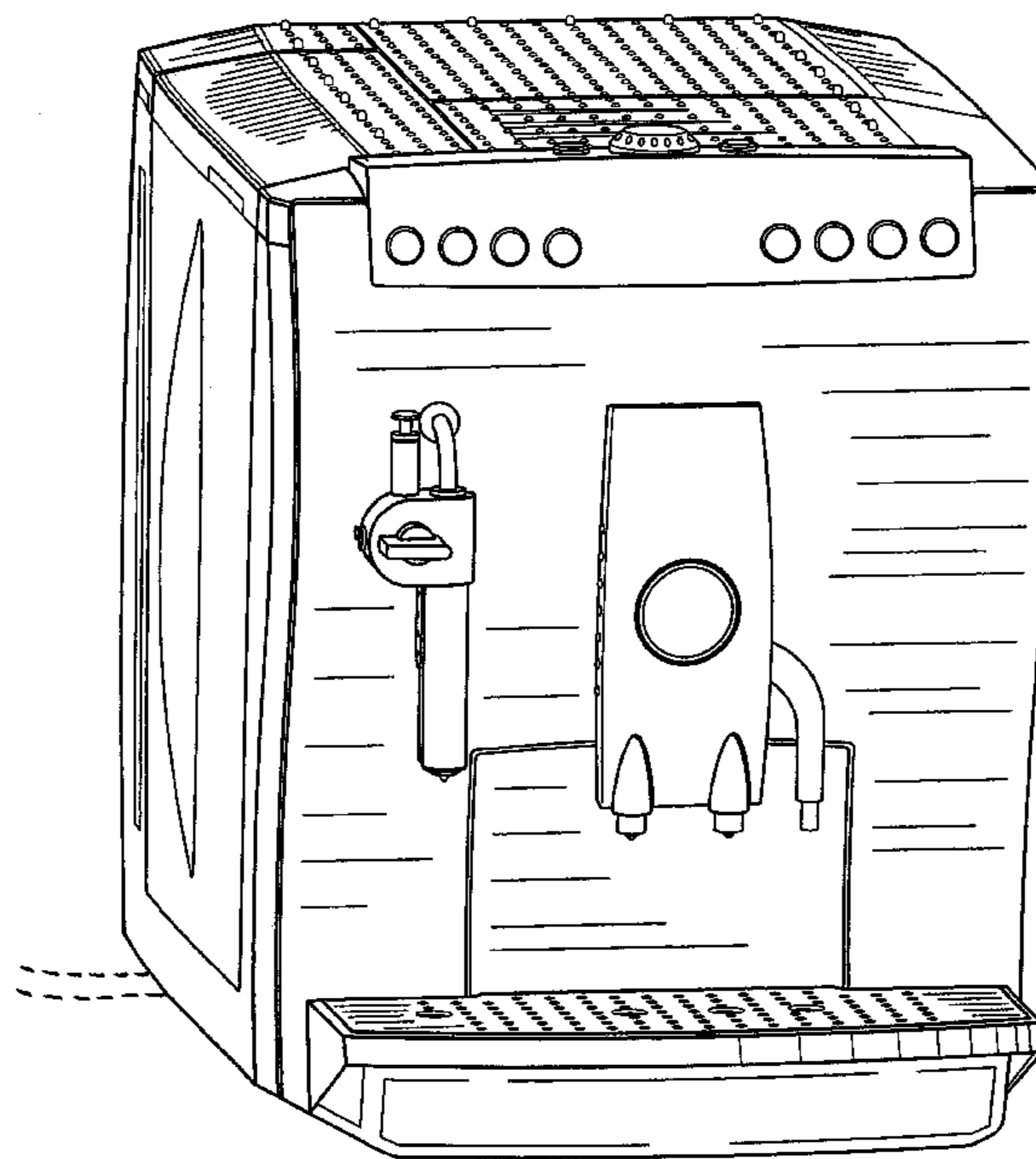
The ornamental design for coffee maker, as shown and described.

DESCRIPTION

FIG. 1 is a perspective view of a coffee maker according to one embodiment of the present invention;
FIG. 2 is a front elevation view of the coffee maker shown in FIG. 1;
FIG. 3 is a right side elevation view of the coffee maker shown in FIG. 1;
FIG. 4 is a left side elevation view of the coffee maker shown in FIG. 1;
FIG. 5 is a top plan view of the coffee maker shown in FIG. 1;
FIG. 6 is a rear elevation view of the coffee maker shown in FIG. 1; and,
FIG. 7 is a bottom elevation view of the coffee maker shown in FIG. 1.

The broken lines shown herein are for illustrative purposes only and form no part of the claimed design.

1 Claim, 7 Drawing Sheets



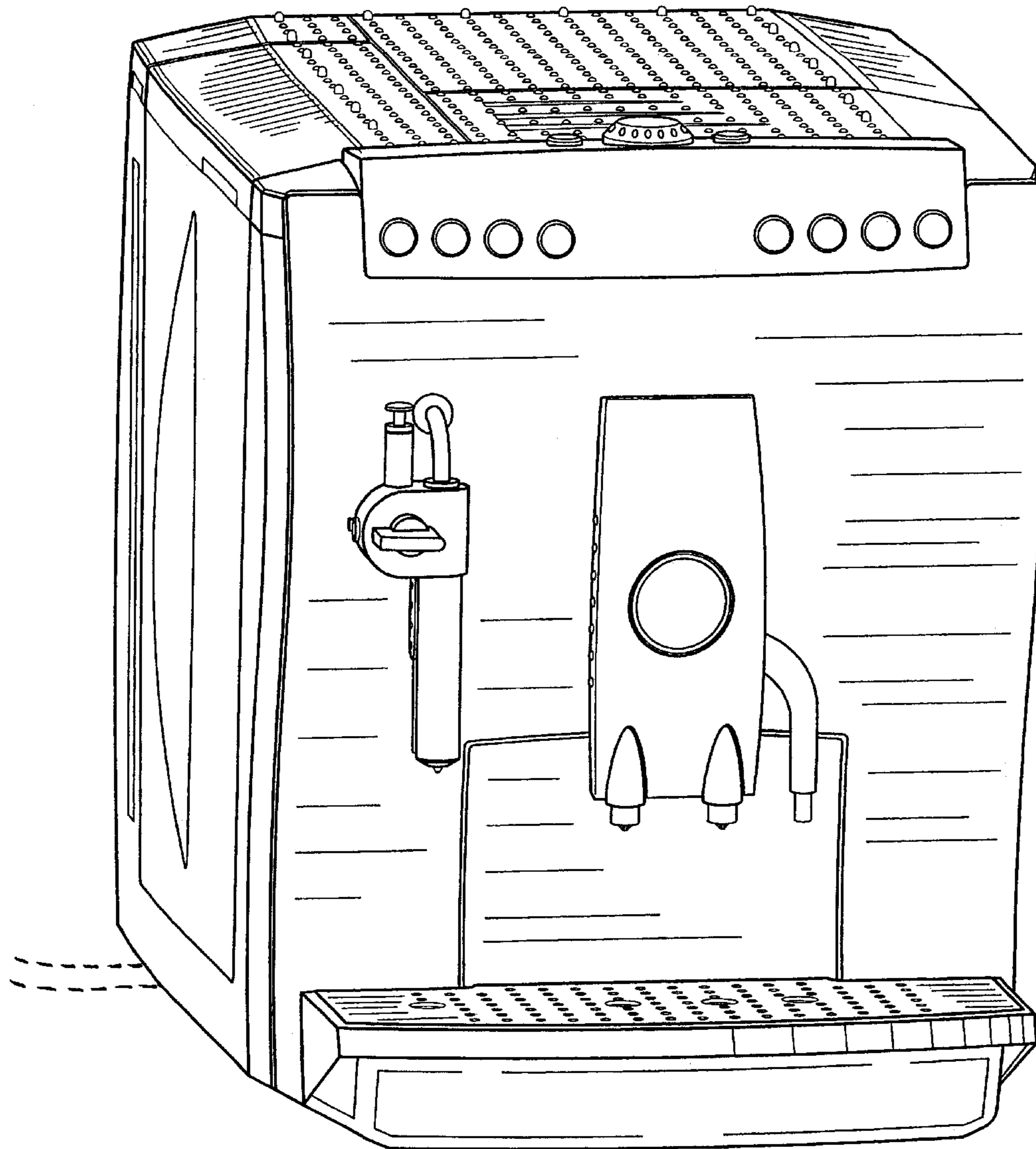


FIG. 1

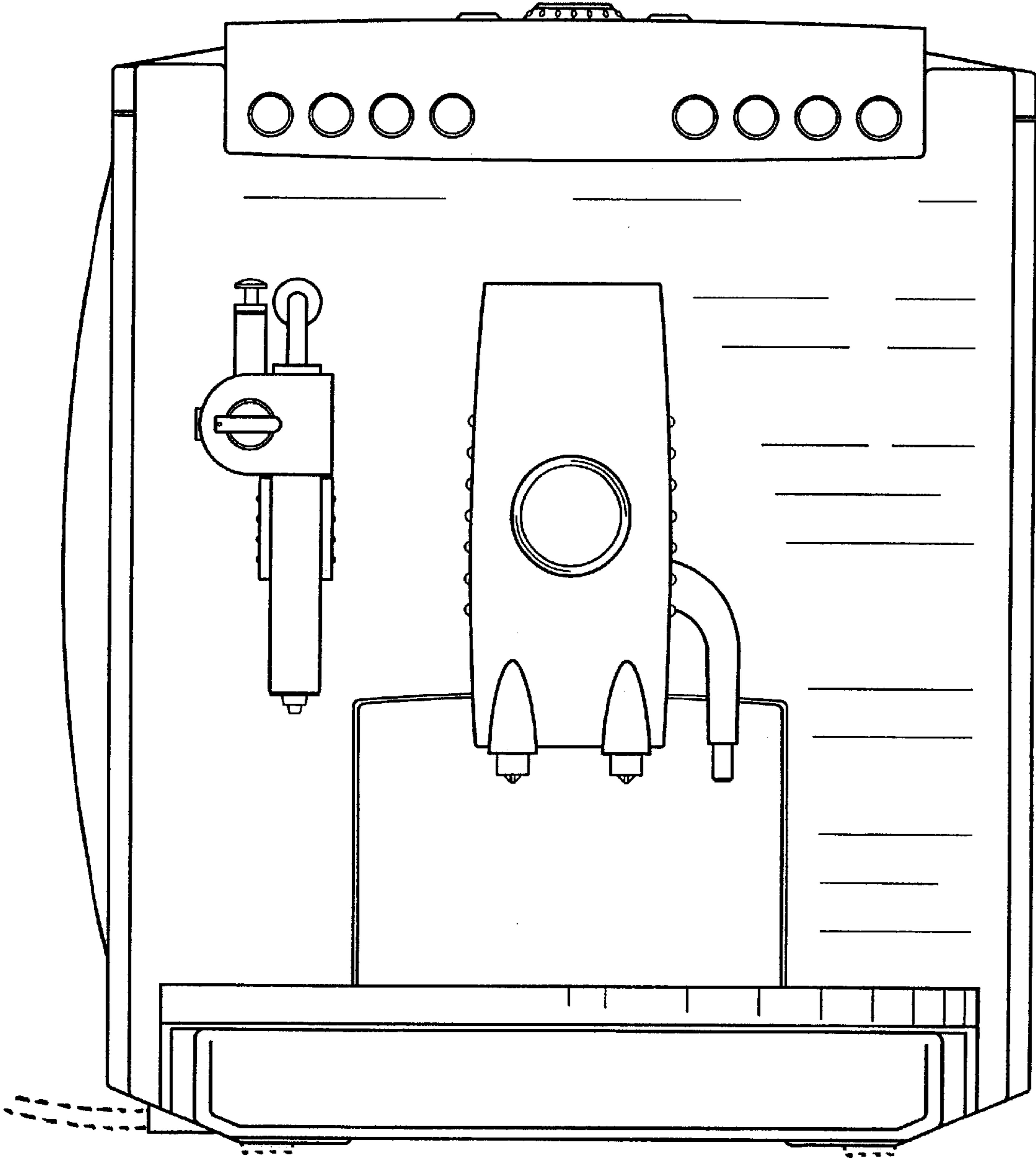


FIG. 2

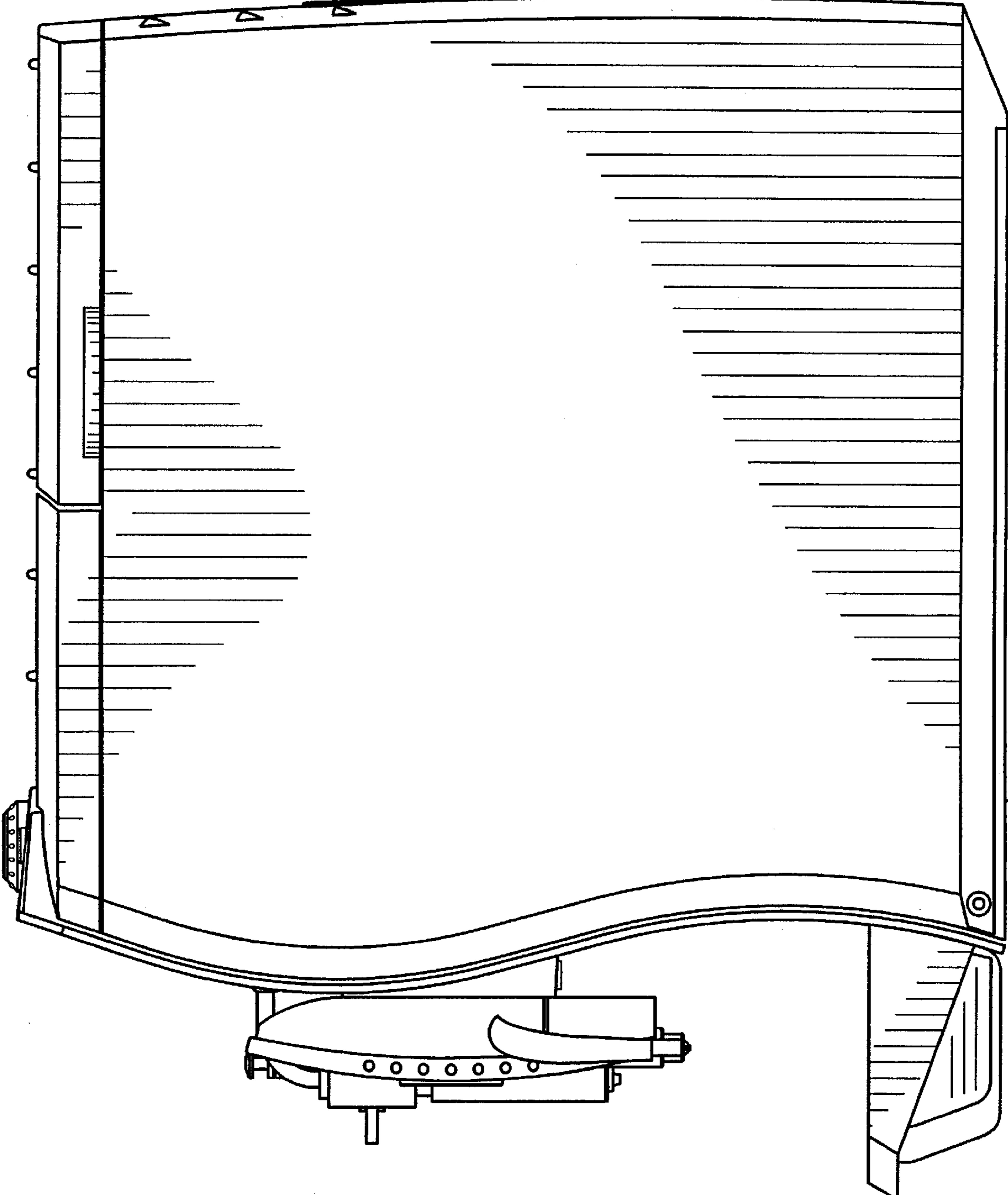


FIG. 3

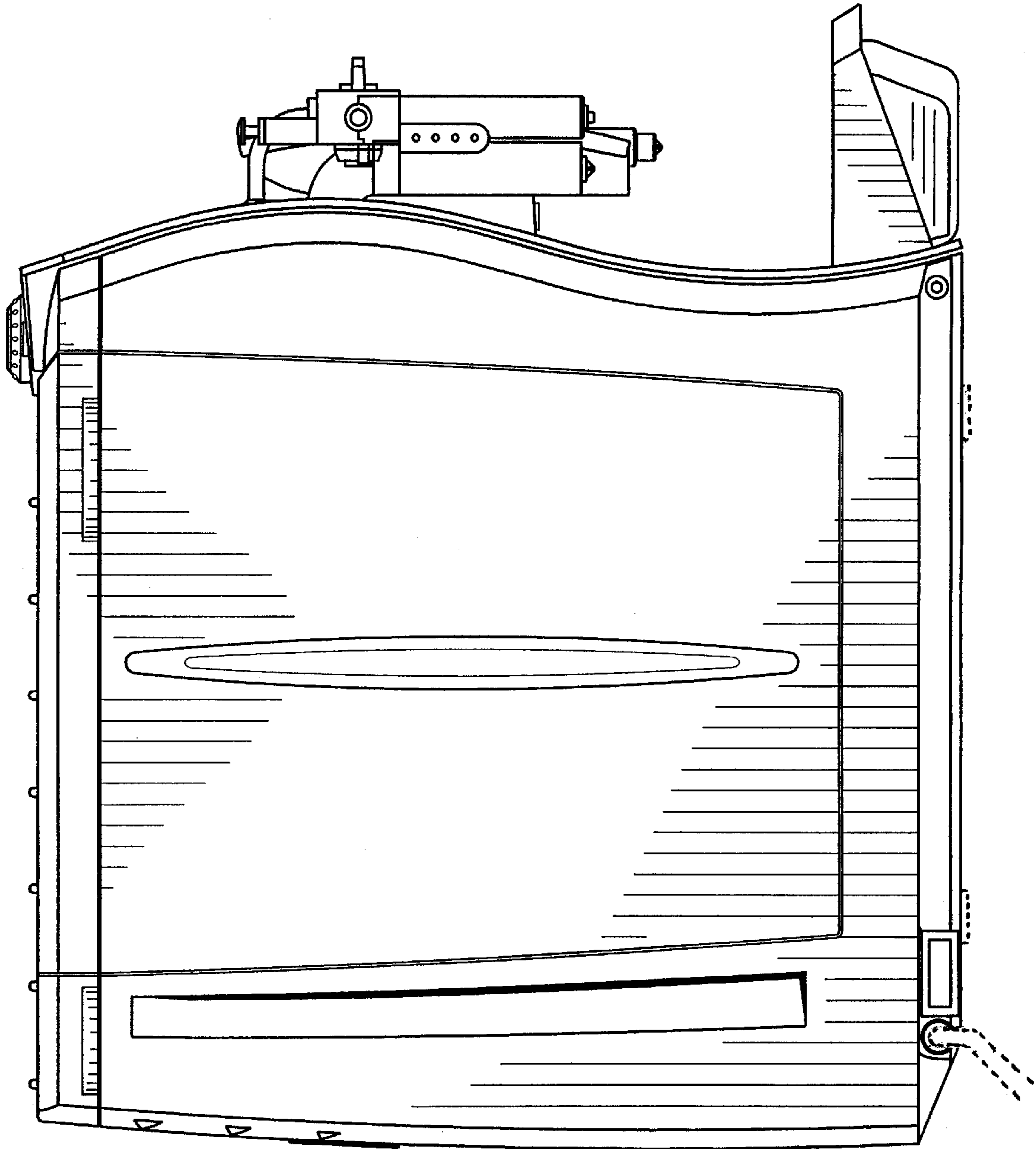


FIG. 4

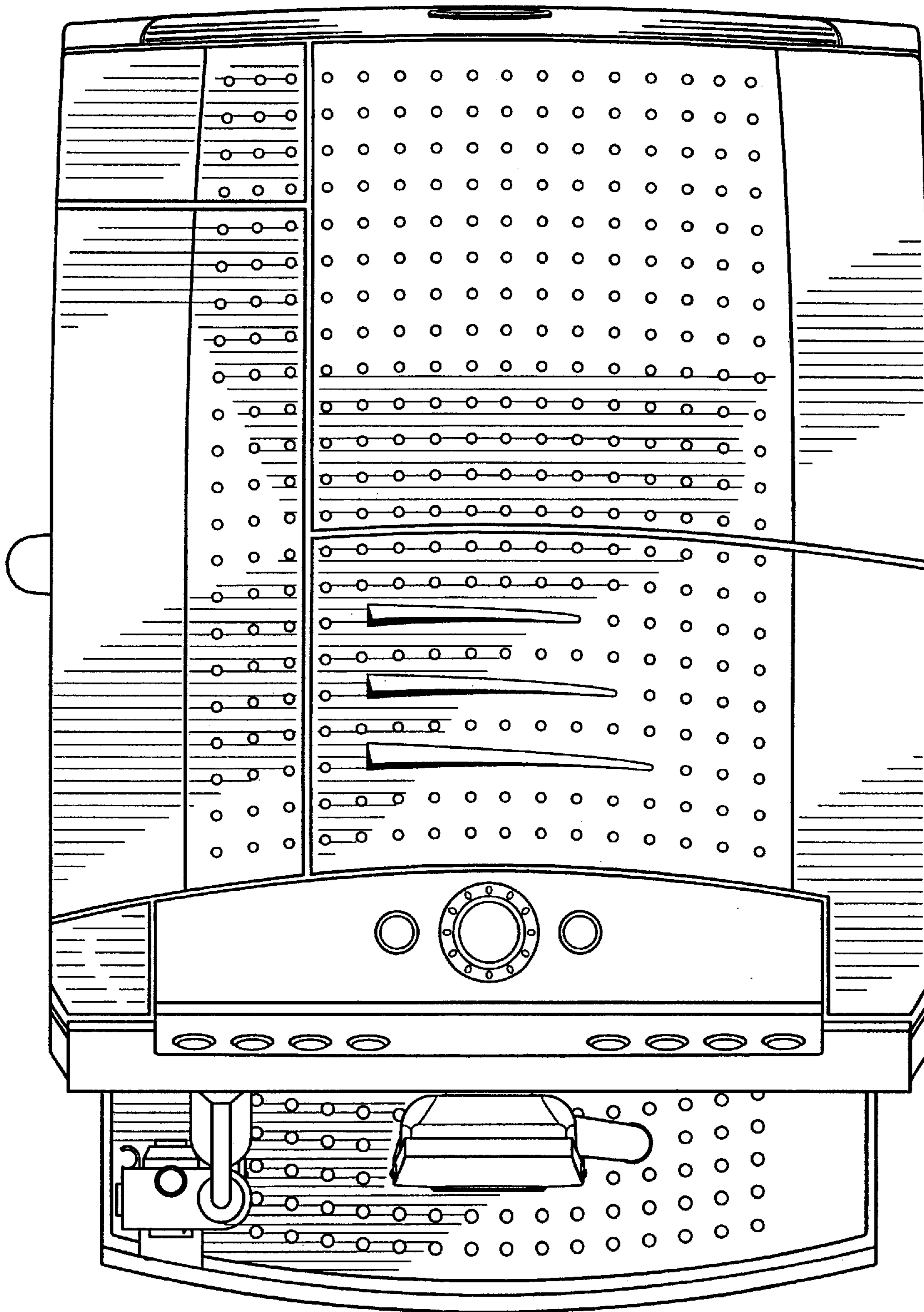


FIG. 5

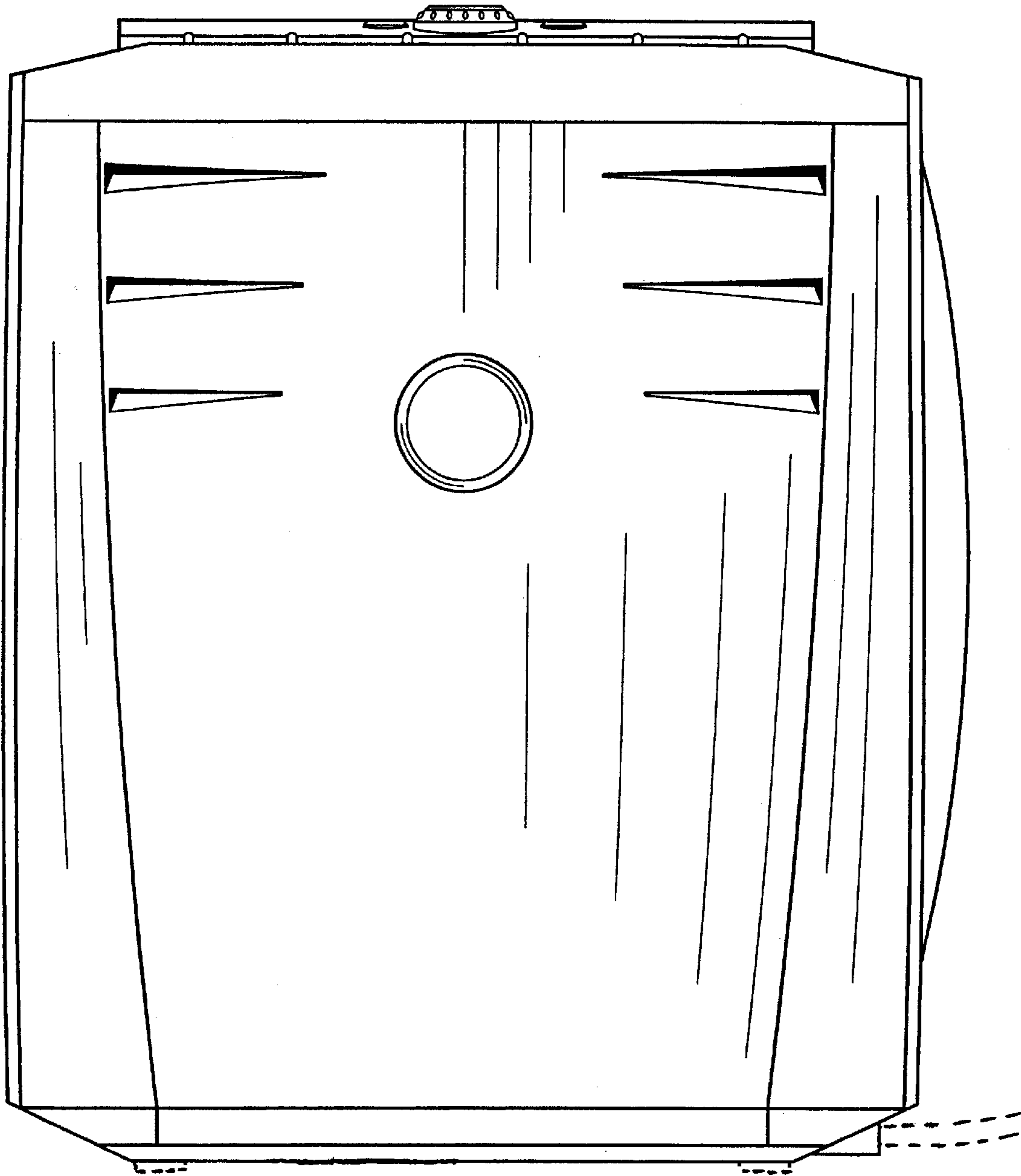


FIG. 6

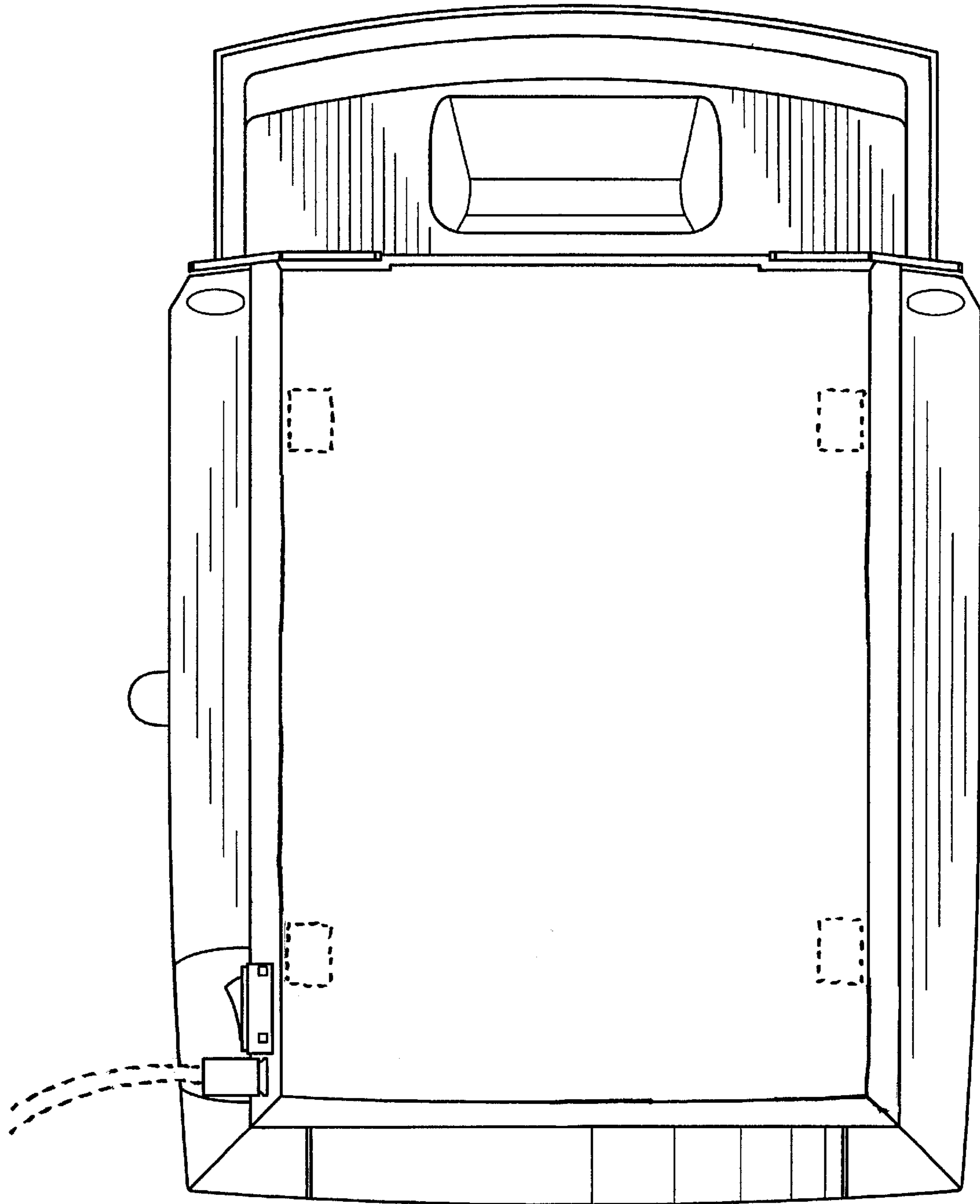


FIG. 7