



US00D523278S

(12) **United States Design Patent**  
**Tse**

(10) **Patent No.:** **US D523,278 S**

(45) **Date of Patent:** **\*\* Jun. 20, 2006**

- (54) **CHOCOLATE FOUNTAIN**
- (75) Inventor: **Shu Tse, Kowloon (CN)**
- (73) Assignee: **Chekiang Metalware Factory Company Limited, Kowloon (CN)**
- (\*\*) Term: **14 Years**

3,451,622 A *	6/1969	Forney	.....	239/20
D221,650 S *	8/1971	Gruber	.....	D23/201
3,713,583 A *	1/1973	Gruber	.....	239/17
D255,199 S *	6/1980	Gruber	.....	D7/506
5,326,032 A *	7/1994	Quillin	.....	239/20
D440,627 S *	4/2001	Wang	.....	D23/201
2005/0092852 A1 *	5/2005	Muir et al.	.....	239/16
2005/0092853 A1 *	5/2005	Muir et al.	.....	239/16

- (21) Appl. No.: **29/219,100**
- (22) Filed: **Dec. 14, 2004**
- (30) **Foreign Application Priority Data**

Jun. 17, 2004 (HK) ..... 0411352

- (51) **LOC (8) Cl.** ..... **07-01**
- (52) **U.S. Cl.** ..... **D7/304; D7/300**
- (58) **Field of Classification Search** ..... D7/505,  
D7/506, 300, 304, 306, 305, 355, 356; 237/56;  
D23/201; D15/7; 239/30, 28, 24, 17, 20,  
239/16, 302; 137/571; D1/122, 124, 130,  
D1/199; 222/192; 99/310, 413; 426/306,  
426/584, 103

See application file for complete search history.

- (56) **References Cited**

**U.S. PATENT DOCUMENTS**

D44,321 S *	7/1913	Page	.....	D7/304
D46,797 S *	12/1914	Blackmarr	.....	D7/304
1,322,803 A *	11/1919	MacFadden	.....	237/56
1,939,803 A *	12/1933	Cataldi	.....	239/17
D113,465 S *	2/1939	Ohrenschall	.....	D23/201
D165,471 S *	12/1951	Krantos	.....	D7/304
D182,725 S *	5/1958	Kaufmann	.....	D23/201
3,022,010 A *	2/1962	Barnett	.....	239/17

**OTHER PUBLICATIONS**

Mr. C's Catering—Mr. C's Chocolate Waterfall Dessert Fountain, internet search, page modified Jan. 3, 2004.\*  
Sku # SU-2660 Spring USA 21 in Chocolate Fountain by Chocolate Fountain Manufacturer internet search p. 3 of 4 Feb., 5, 2004.\*

\* cited by examiner

*Primary Examiner*—M. N. Pandozzi  
(74) *Attorney, Agent, or Firm*—Rabin & Berdo, P.C.

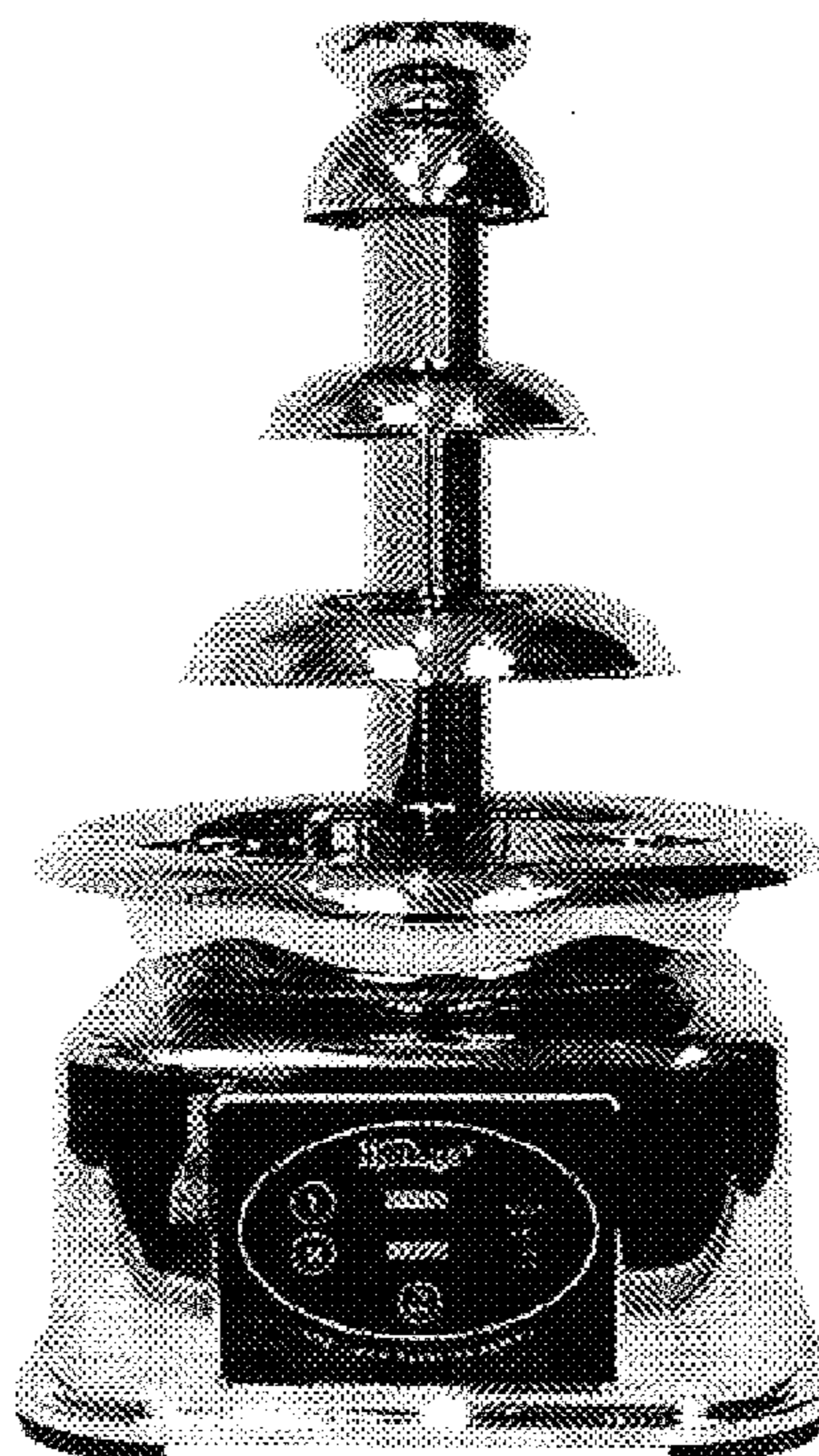
(57) **CLAIM**

The ornamental design for a chocolate fountain, as shown and described.

**DESCRIPTION**

FIG. 1 is a front view of a chocolate fountain showing my new design;  
FIG. 2 is a rear view thereof;  
FIG. 3 is a left side view thereof;  
FIG. 4 is a right side view thereof;  
FIG. 5 is a top plan view thereof;  
FIG. 6 is a bottom plan view thereof; and,  
FIG. 7 is a perspective view thereof.

**1 Claim, 7 Drawing Sheets**



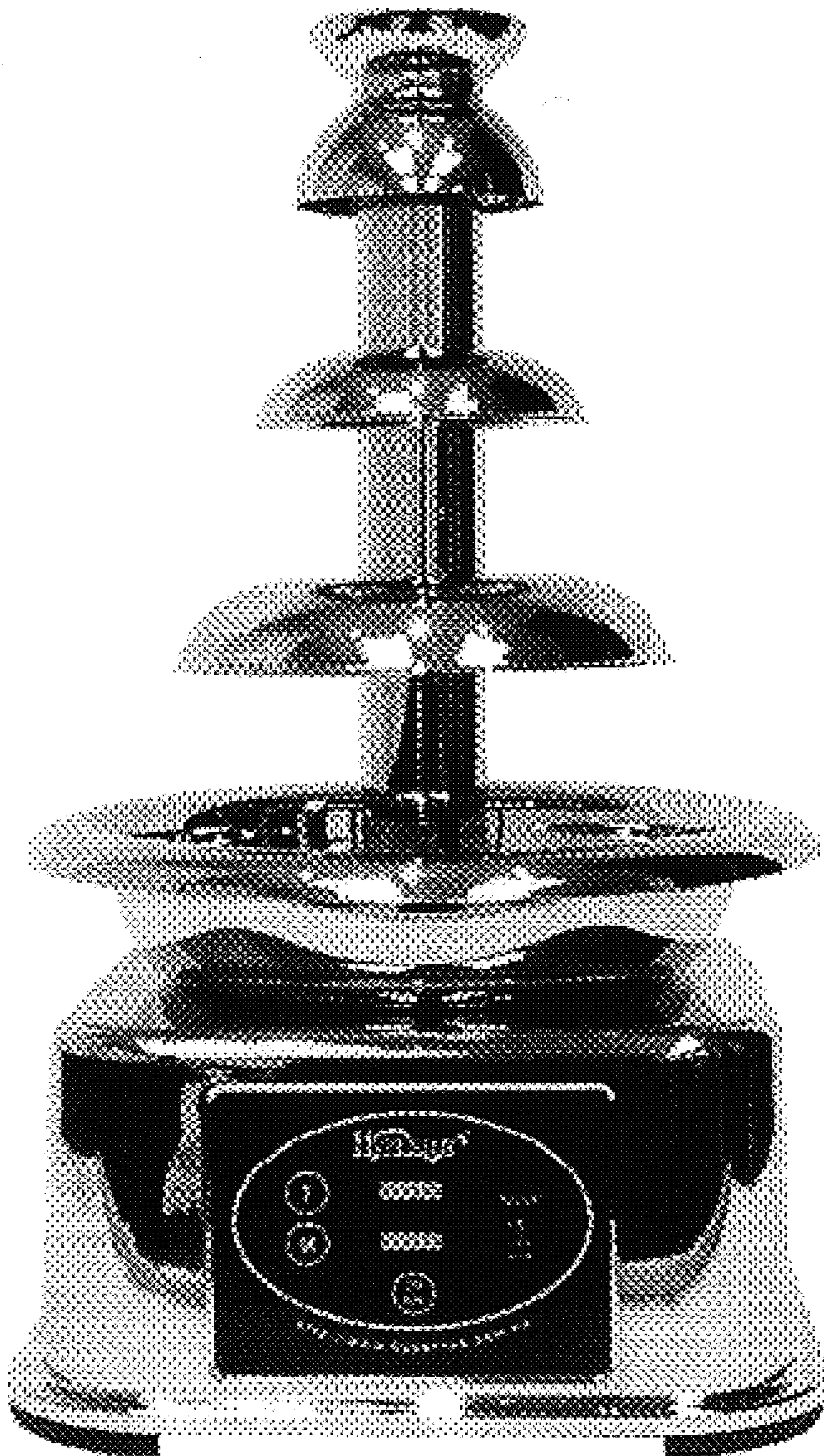


FIG. 1

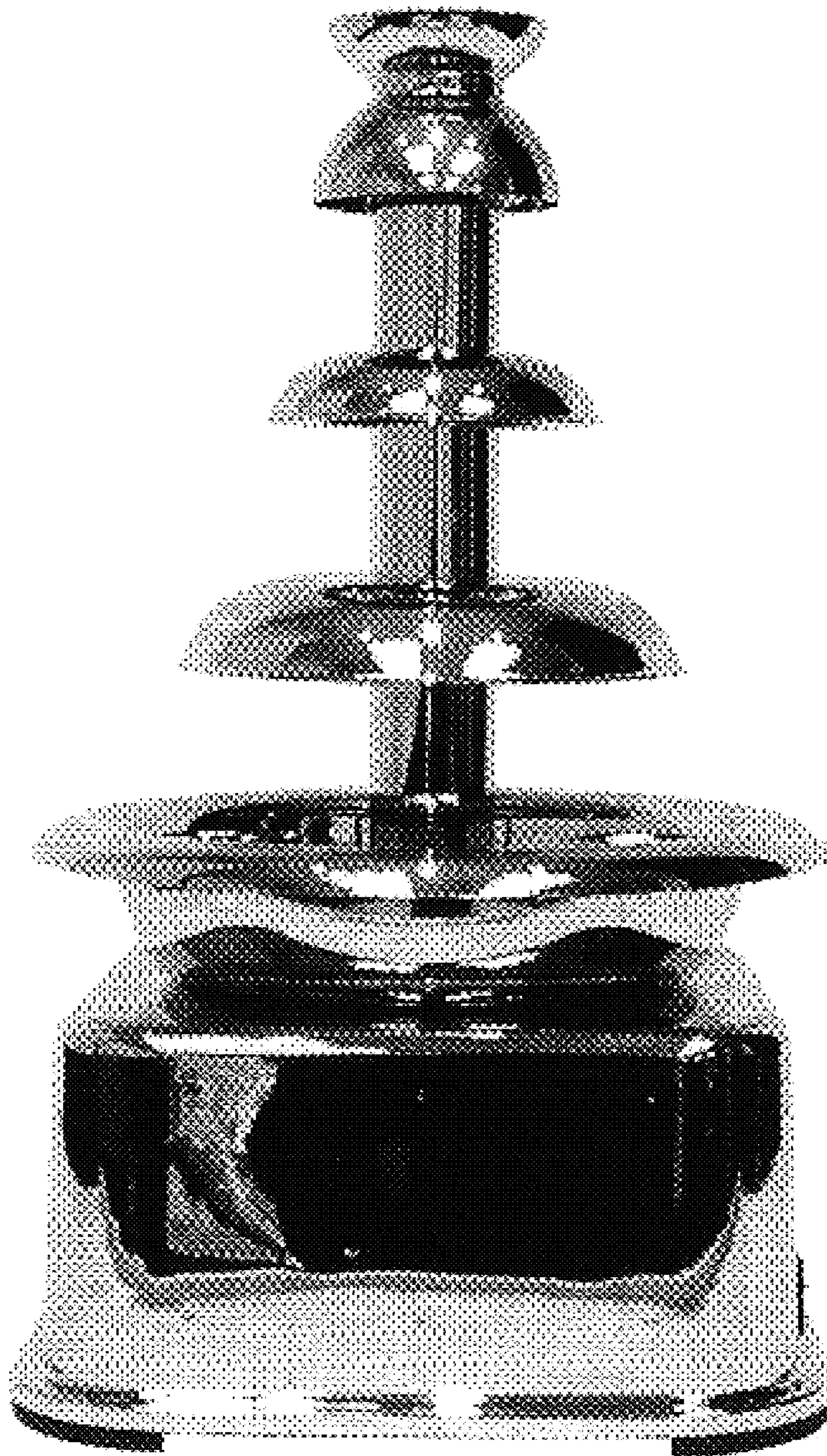


FIG. 2

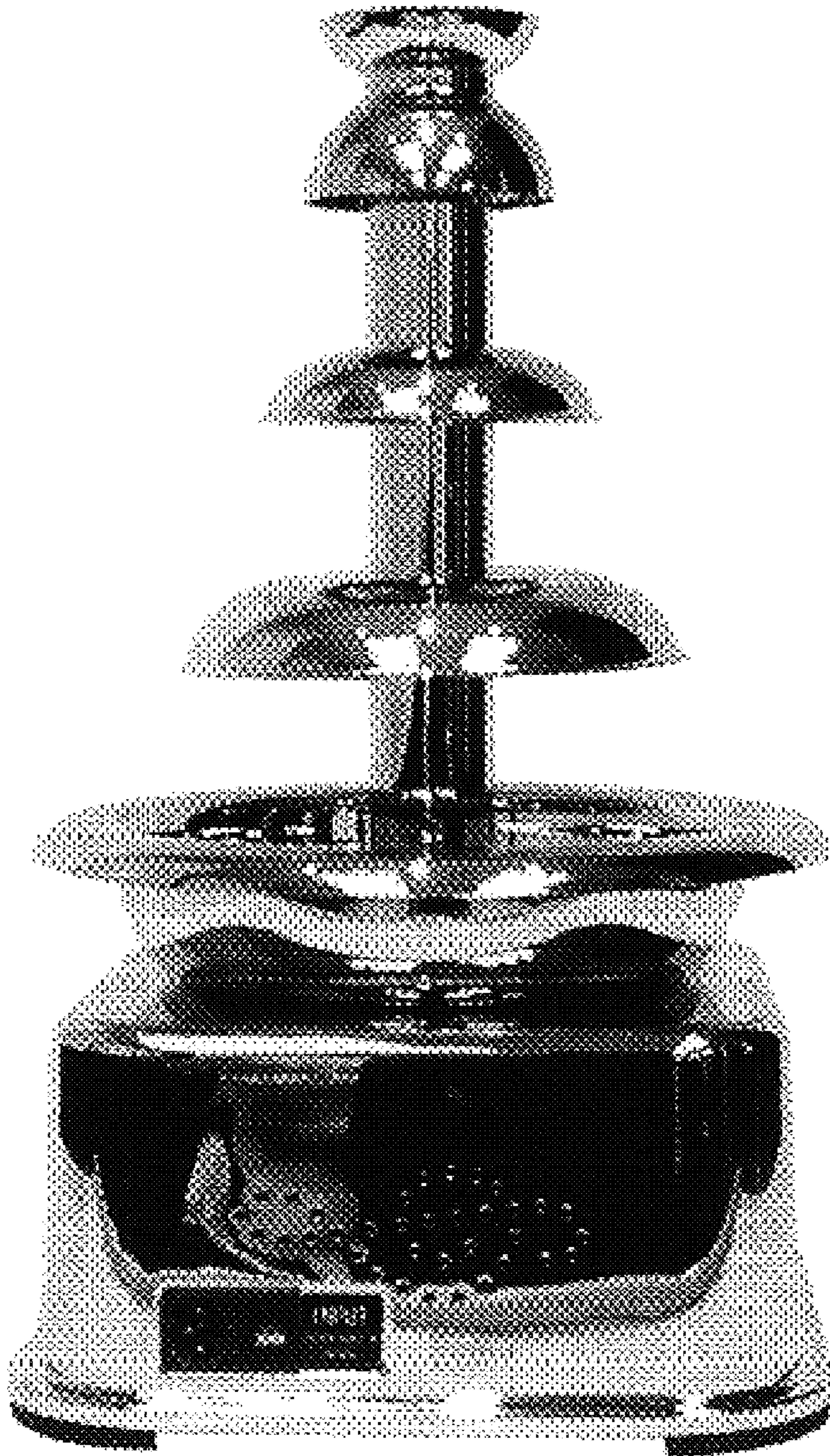


FIG. 3

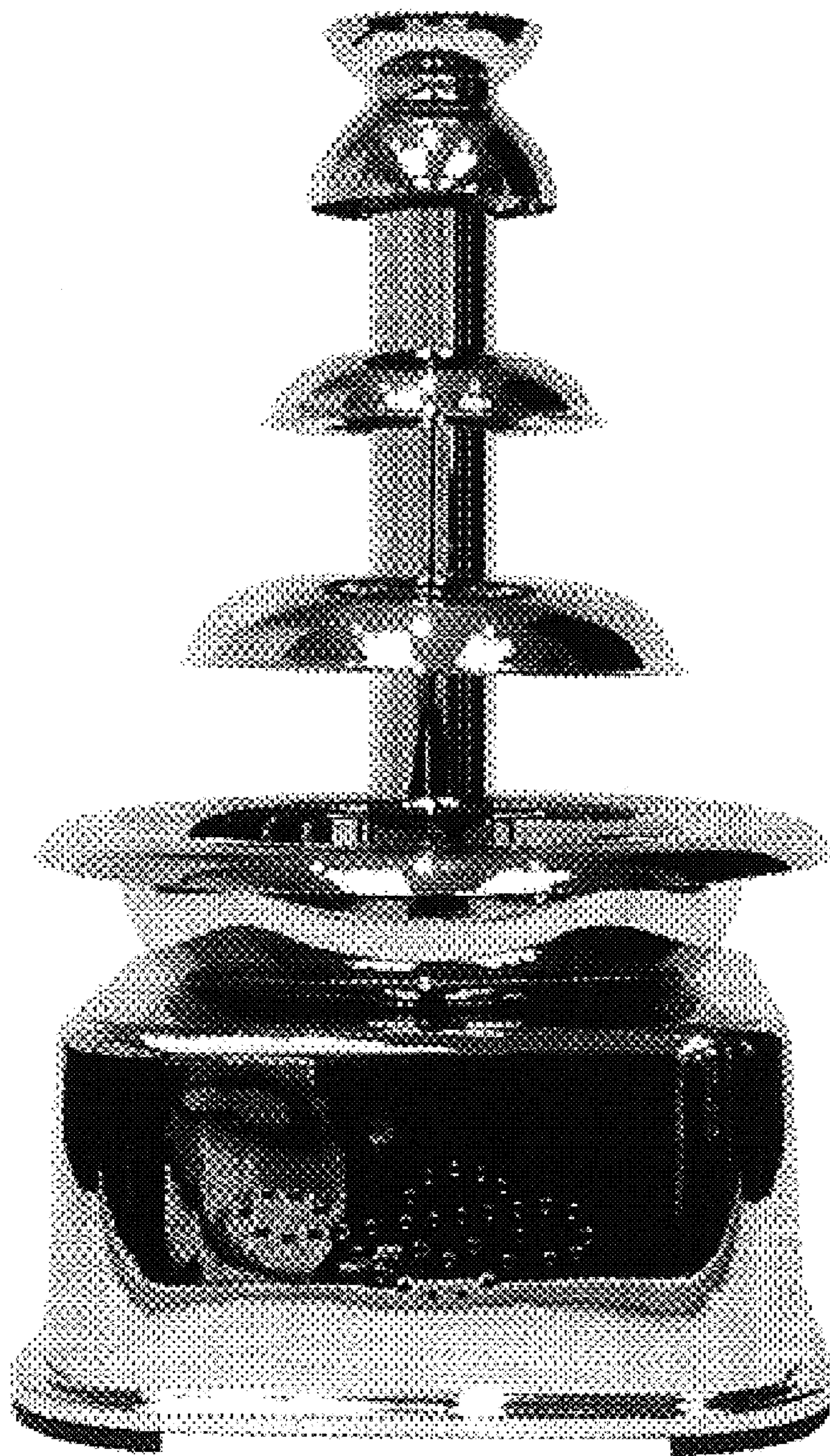


FIG. 4

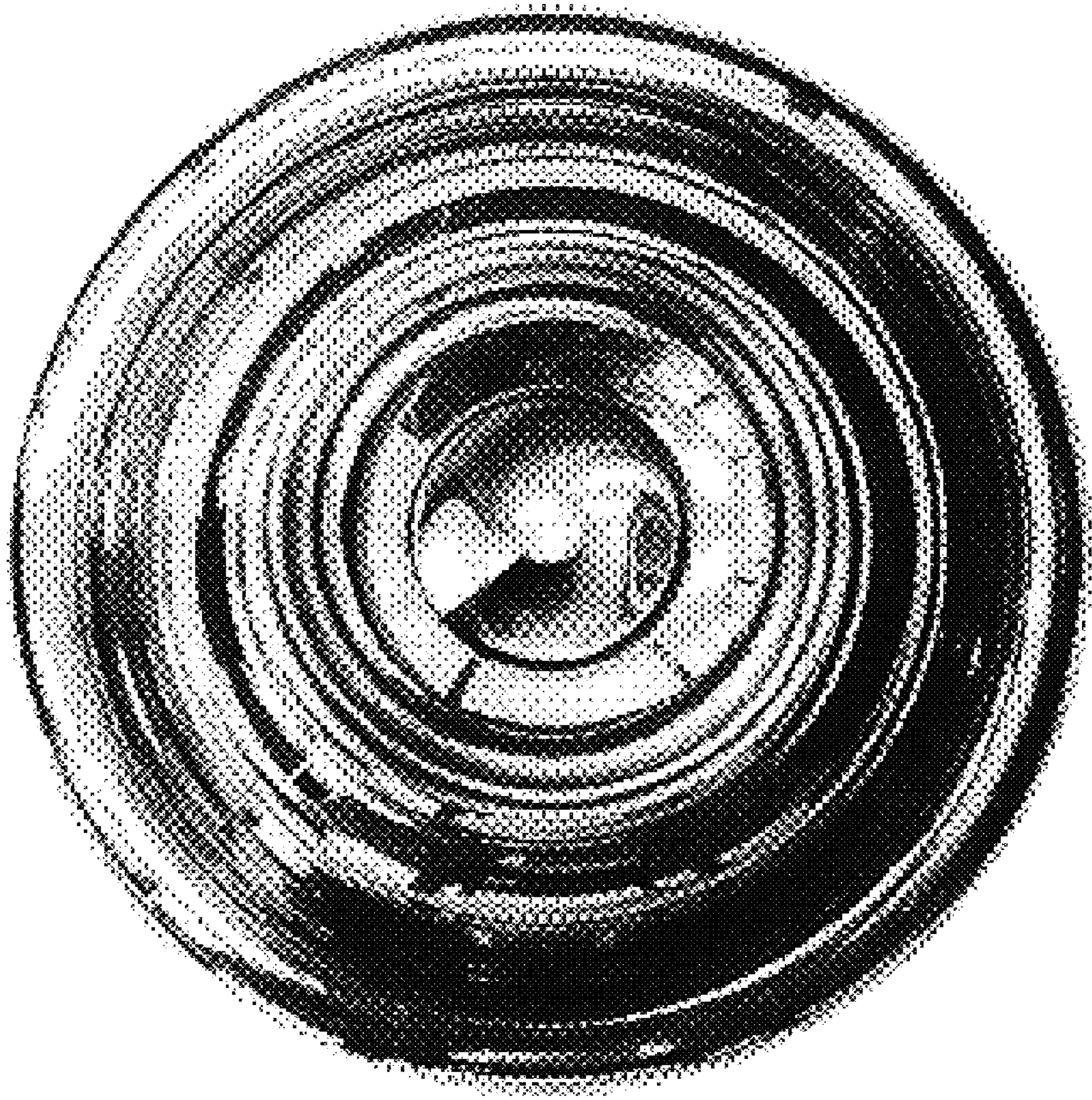


FIG. 5

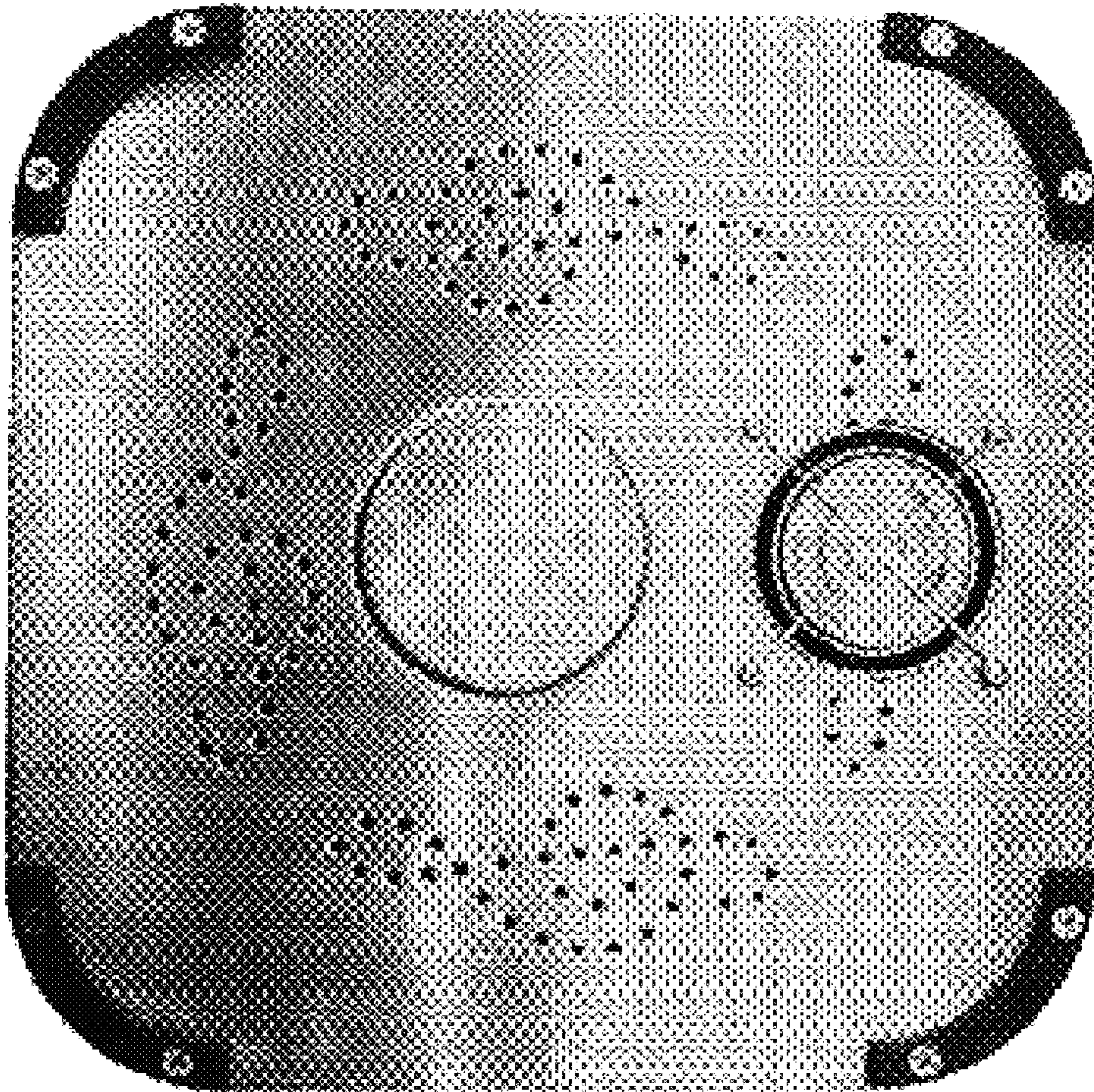


FIG. 6

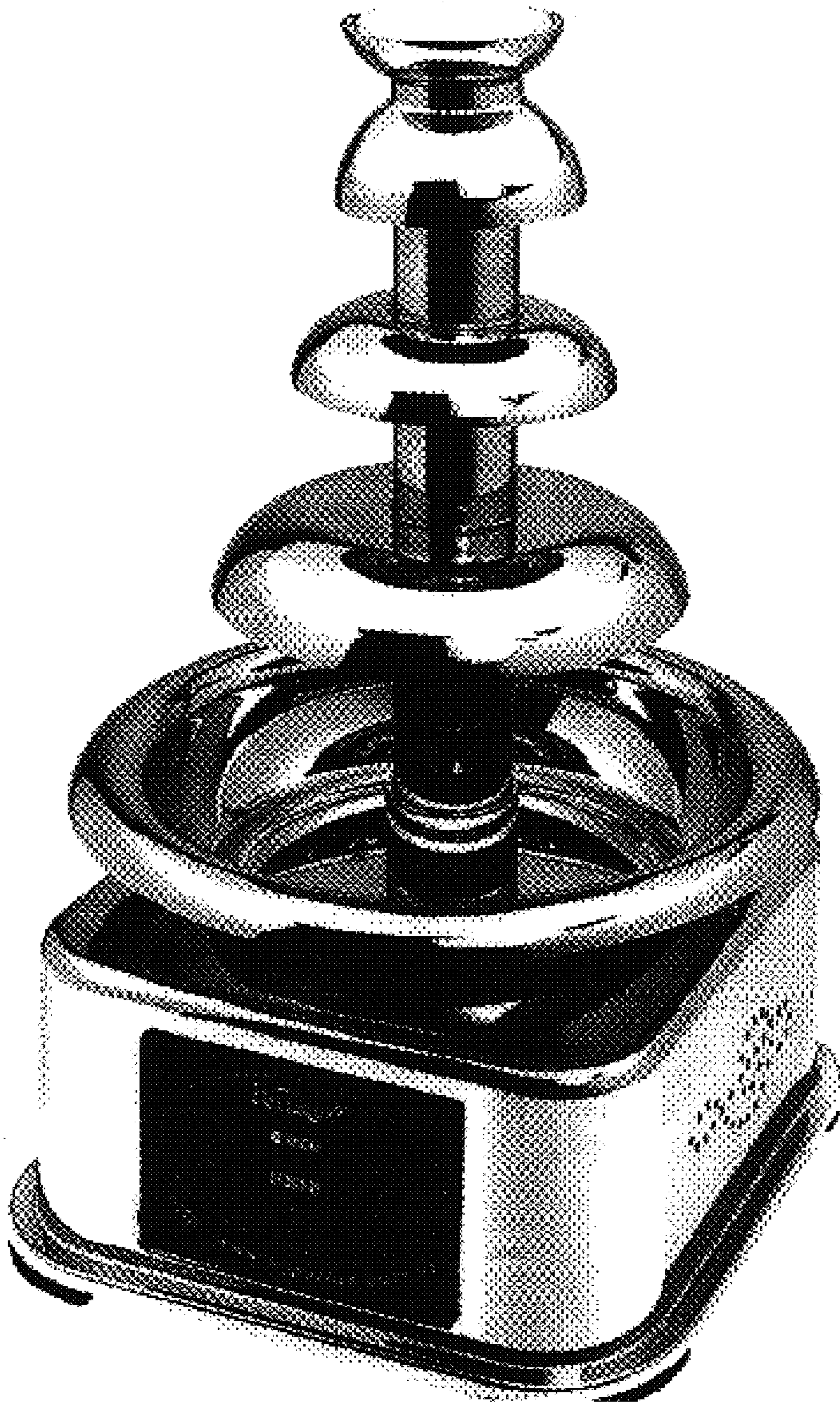


FIG. 7