

US00D523271S

(12) **United States Design Patent** (10) **Patent No.:** **US D523,271 S**
Nida (45) **Date of Patent:** **** Jun. 20, 2006**

(54) **DECORATIVE SNOWMAN PAPER ROLL HOLDER**

(76) Inventor: **Bryan W. Nida**, 1022 Egurrola Pl., Boise, ID (US) 83709

(**) Term: **14 Years**

(21) Appl. No.: **29/212,125**

(22) Filed: **Aug. 25, 2004**

(51) **LOC (8) Cl.** **23-02**

(52) **U.S. Cl.** **D6/523; D6/521**

(58) **Field of Classification Search** D6/515-523; 206/225, 233, 389, 391, 812, 824; 211/13.1, 211/45; 222/173, 180; 221/26, 33, 282-283; 224/925; 242/570, 590; 248/309.1, 309.2, 248/905; D12/17, 19

See application file for complete search history.

(56) **References Cited**

U.S. PATENT DOCUMENTS

D199,418 S	*	10/1964	Katz	D9/609
D314,107 S	*	1/1991	Lewis et al.	D6/518
D384,274 S	*	9/1997	Tolpin	D9/604
D422,170 S	*	4/2000	Harris, Jr.	D6/521
6,405,972 B1	*	6/2002	Wakam	242/590
D463,716 S	*	10/2002	Seater	D9/608
D467,106 S		12/2002	Bohay	D6/523
D478,753 S	*	8/2003	Hall et al.	D6/523
D483,584 S		12/2003	Perfetto	D6/523
D489,641 S	*	5/2004	Puntch	D11/160
D503,018 S	*	3/2005	Shih	D9/601
D504,052 S	*	4/2005	Wang	D7/628

OTHER PUBLICATIONS

Two pages from www.bearfamilygifts.com web site prior to Mar. 1, 2004.

* cited by examiner

Primary Examiner—Brian N Vinson
(74) *Attorney, Agent, or Firm*—Pedersen & Co., PLLC; Ken J. Pedersen; Barbara S. Pedersen

(57) **CLAIM**

The ornamental design for a decorative snowman paper roll holder, as shown and described.

DESCRIPTION

FIG. 1 is a front perspective view of one embodiment of the invented design for a decorative snowman paper roll holder.

FIG. 2 is a left side view of the embodiment shown in FIG. 1, with an added neck tie.

FIG. 3 is a front view of the embodiment shown in FIG. 1.

FIG. 4 is a right side view of the embodiment shown in FIG. 1.

FIG. 5 is a rear view of the embodiment shown in FIG. 1.

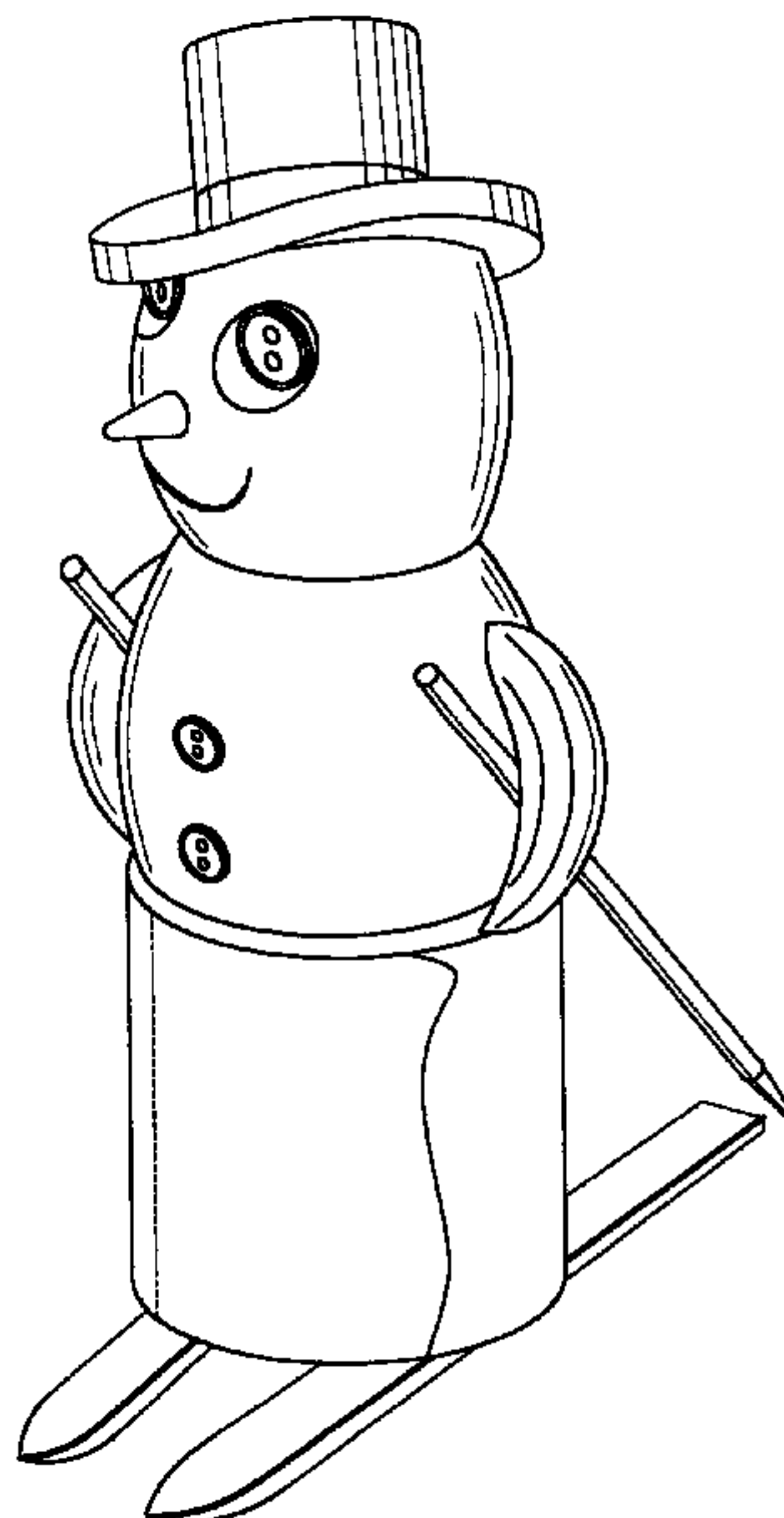
FIG. 6 is a top view of the embodiment shown in FIG. 1.

FIG. 7 is a bottom view of the embodiment shown in FIG. 1.

FIG. 8 is a front perspective view of an embodiment of the invented design for a decorative snowman paper roll holder, wherein the paper roll is shown in dashed lines as background and is not part of the invented design; and,

FIG. 9 is a front view of an embodiment of the invented design for a decorative snowman paper roll holder, wherein the paper roll is shown in dashed lines as background and is not part of the invented design, and wherein a supporting post is added between the top and bottom portions of the decorative snowman paper roll holder.

1 Claim, 4 Drawing Sheets



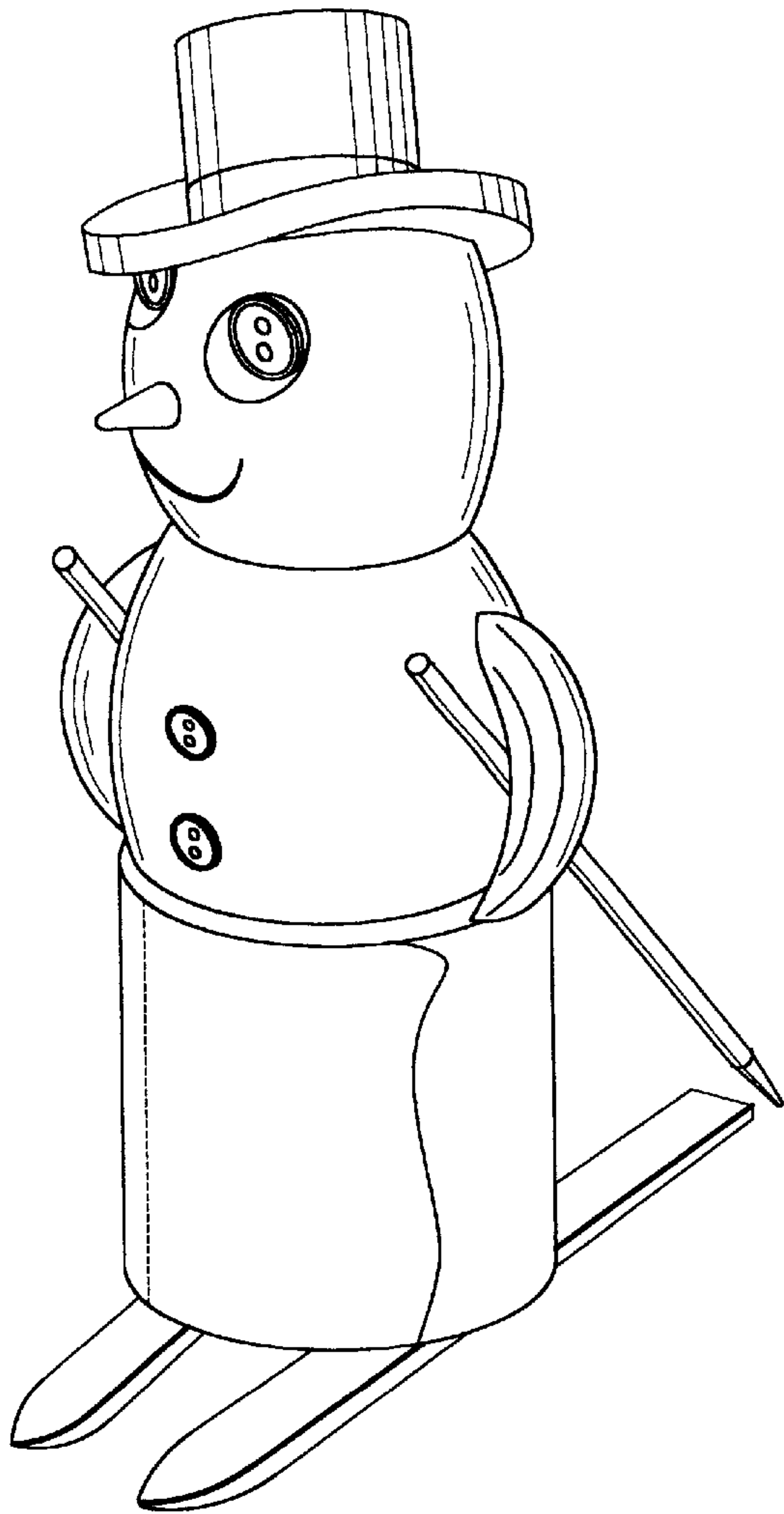


Fig. 1

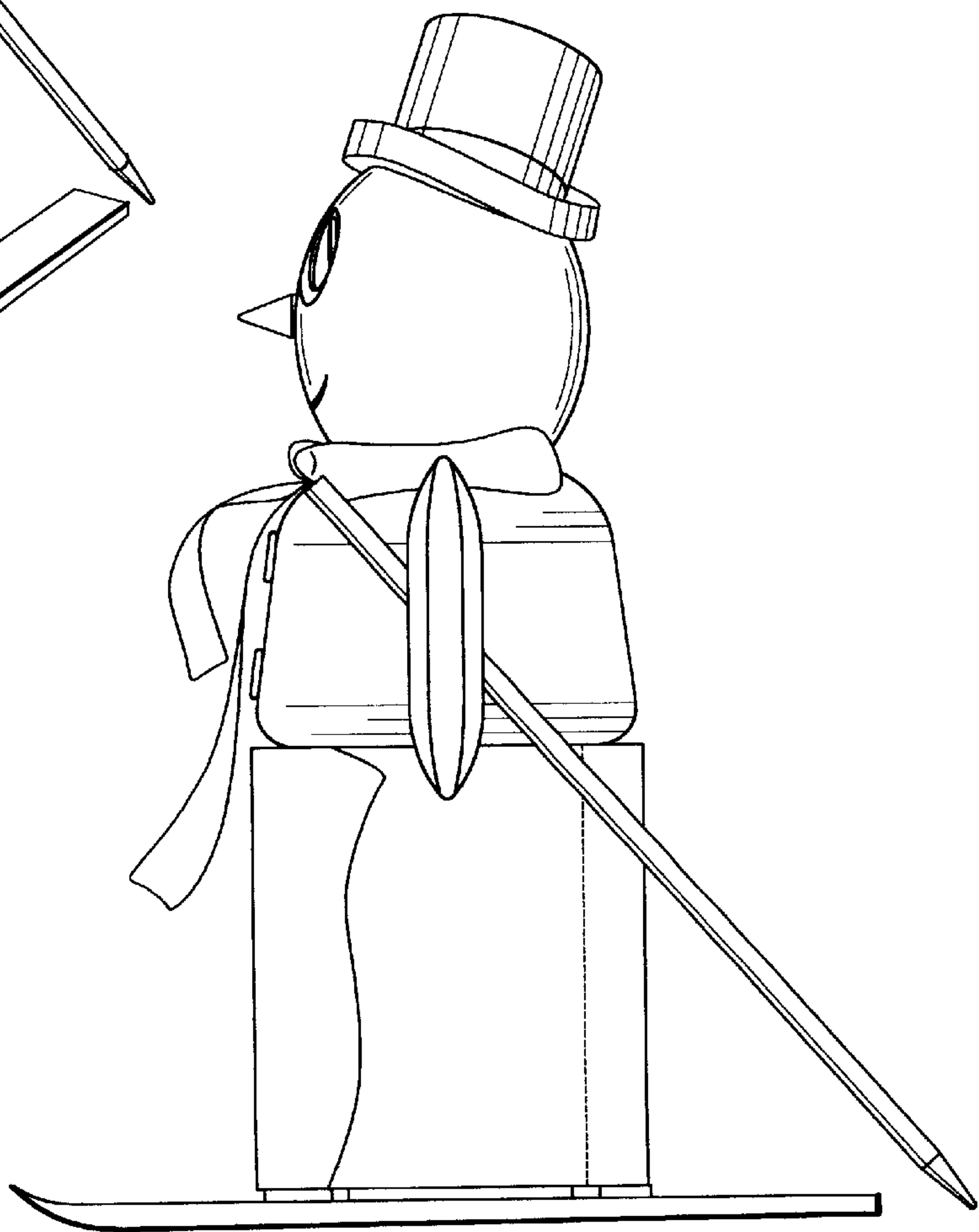


Fig. 2

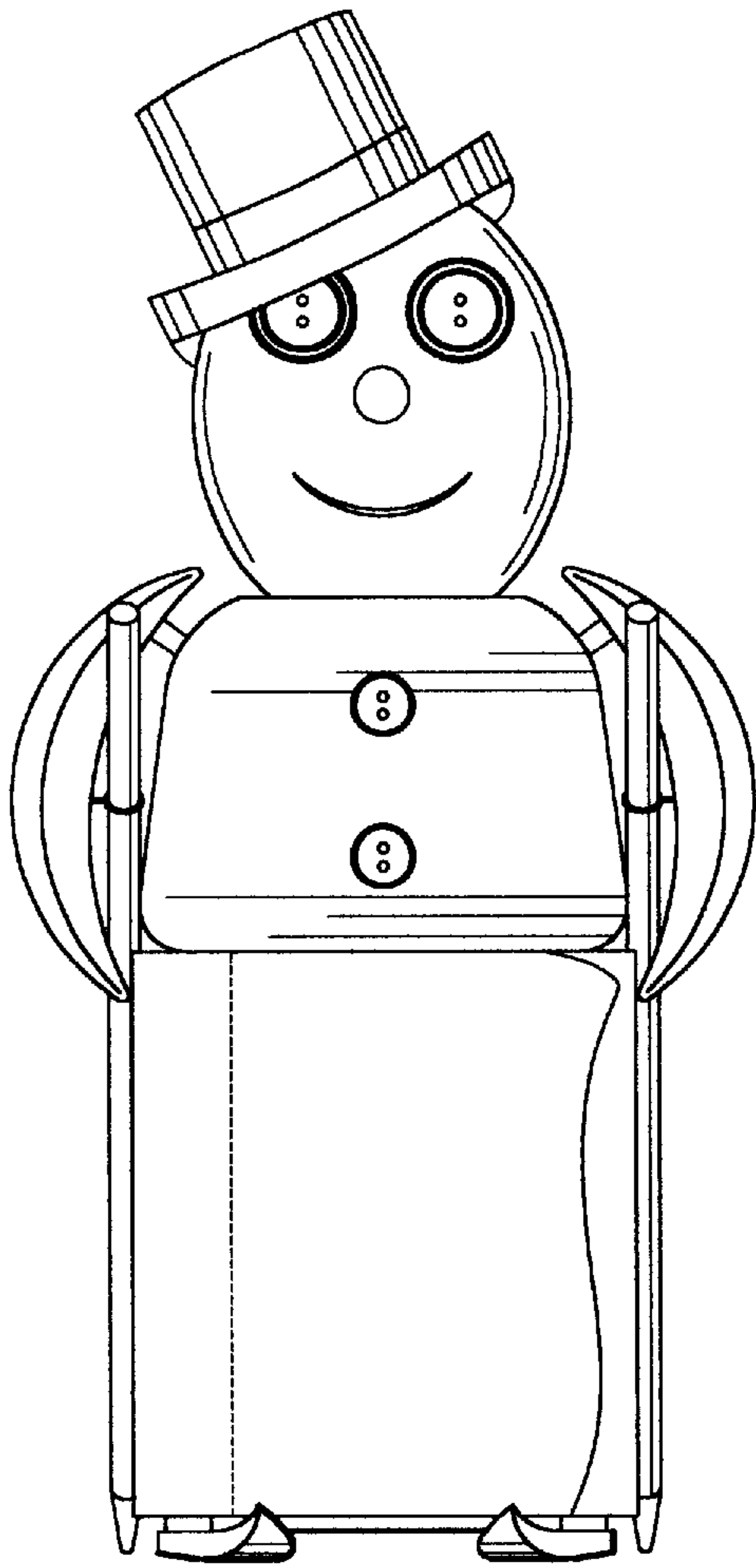


Fig. 3

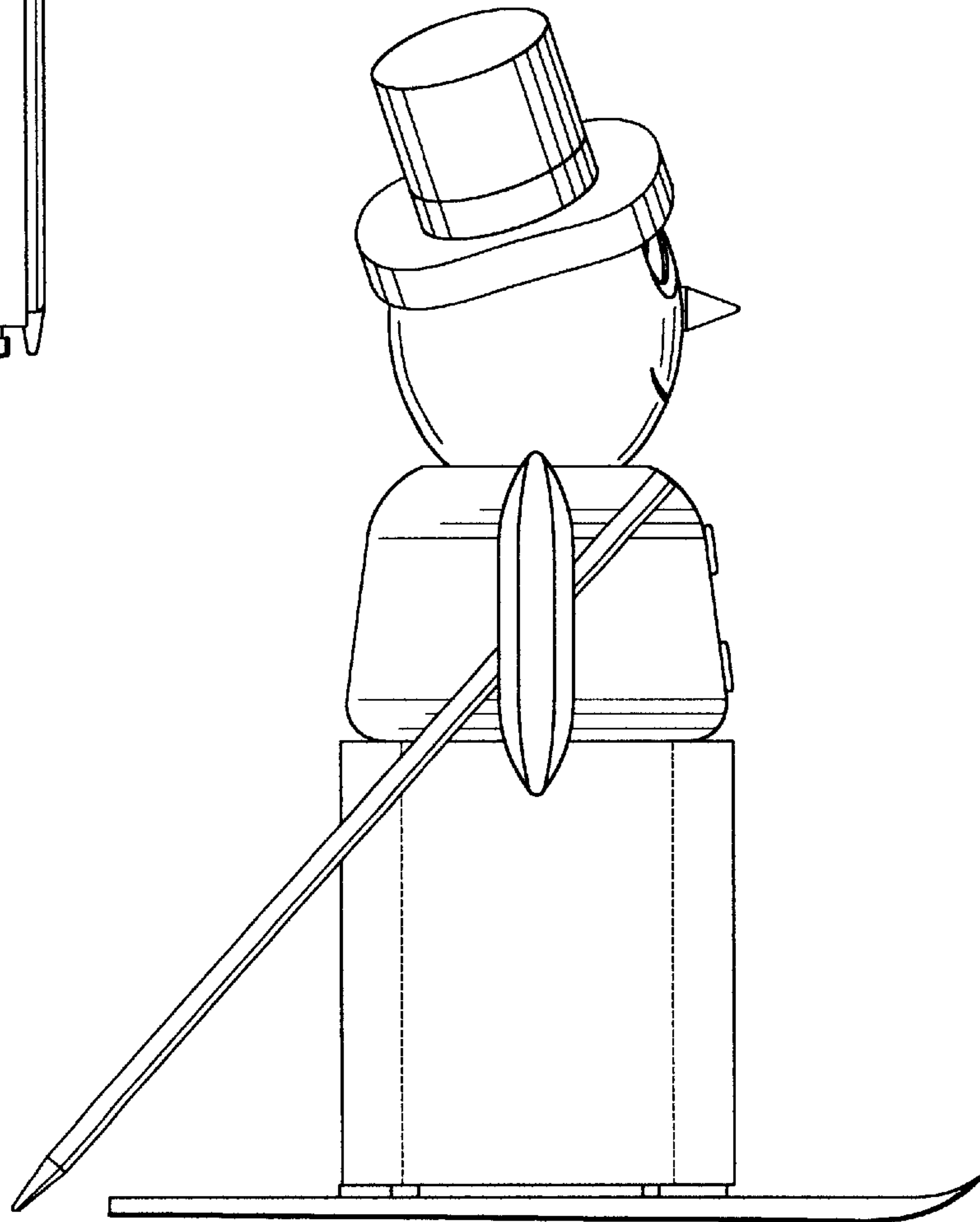


Fig. 4

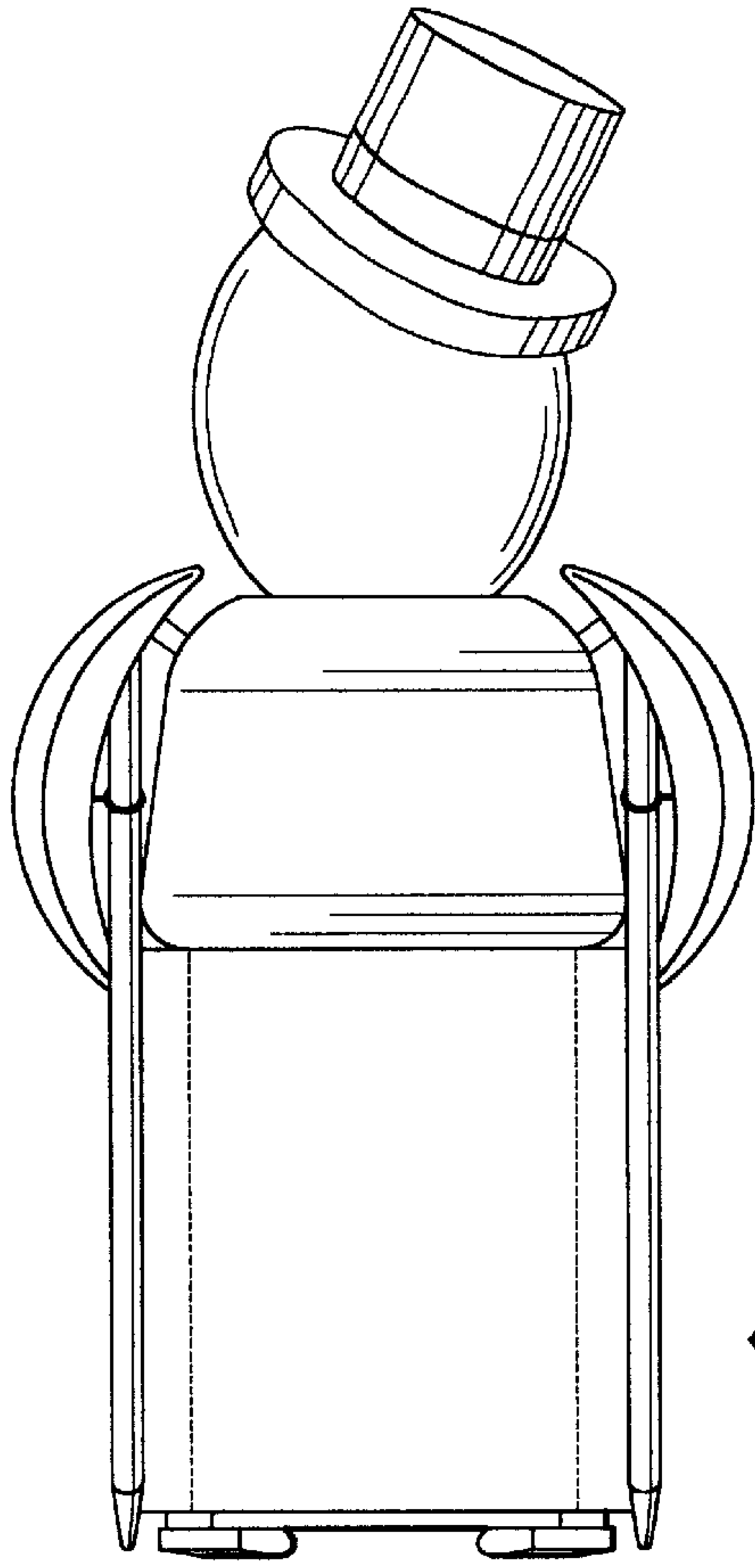


Fig. 5

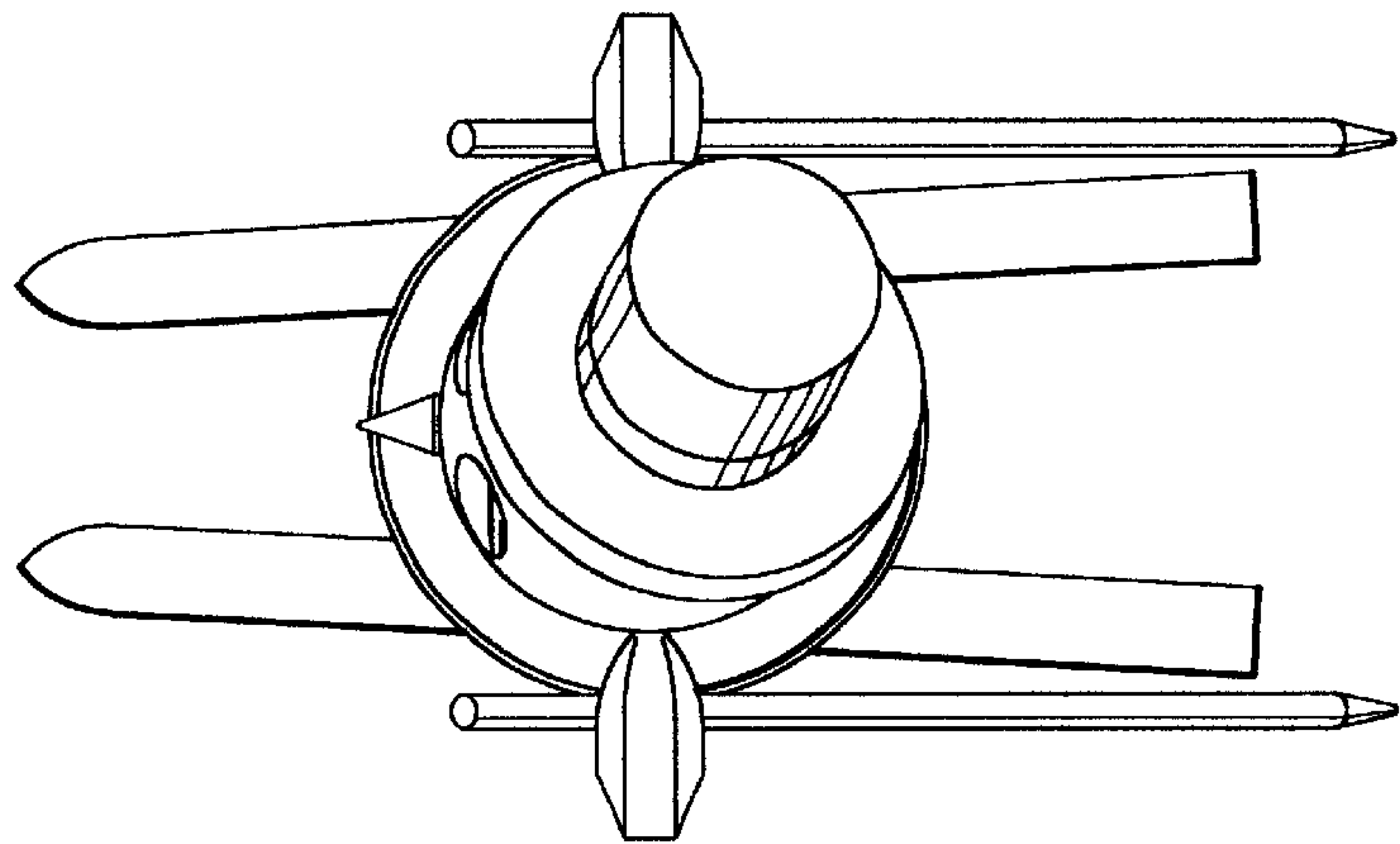


Fig. 6

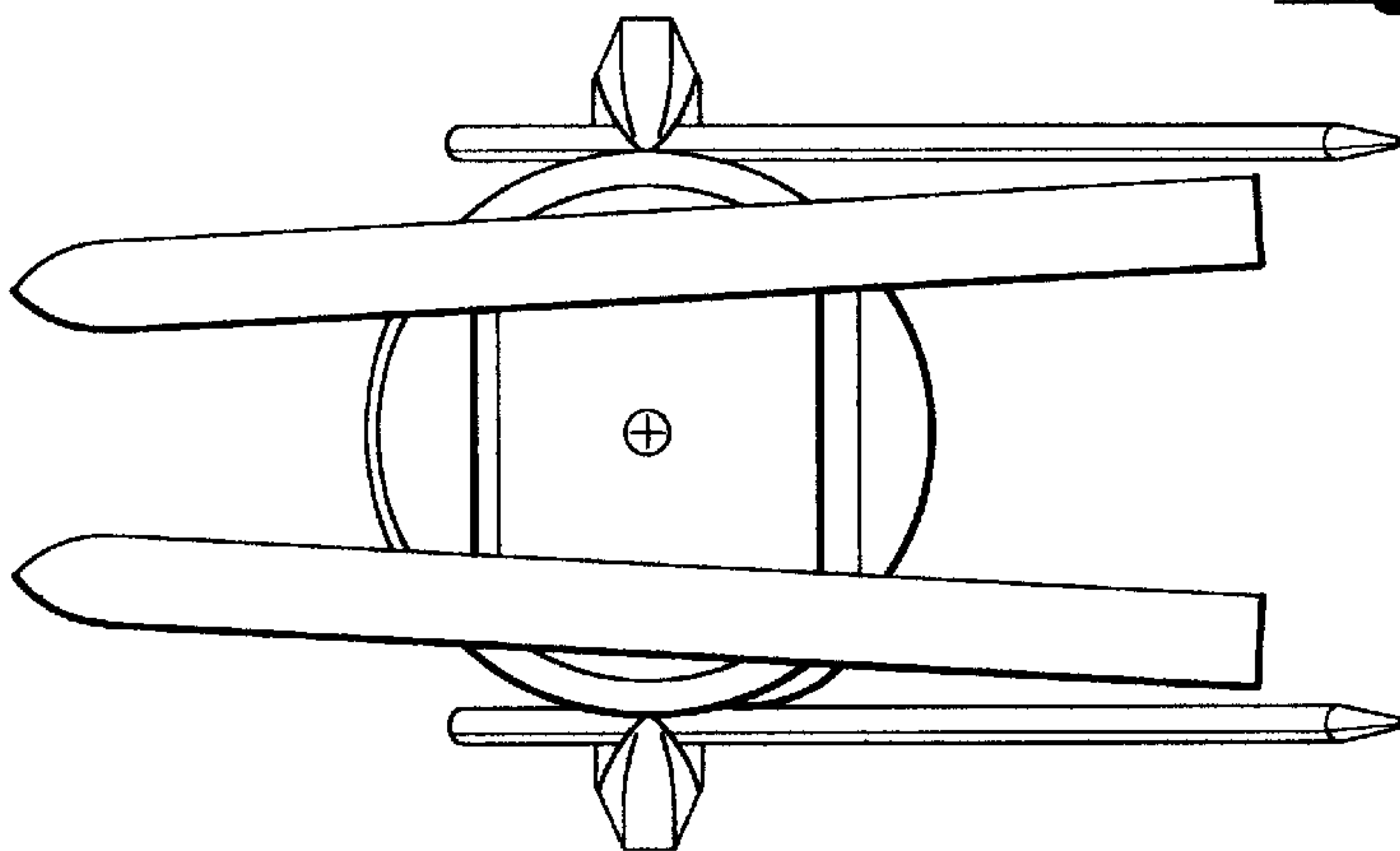


Fig. 7

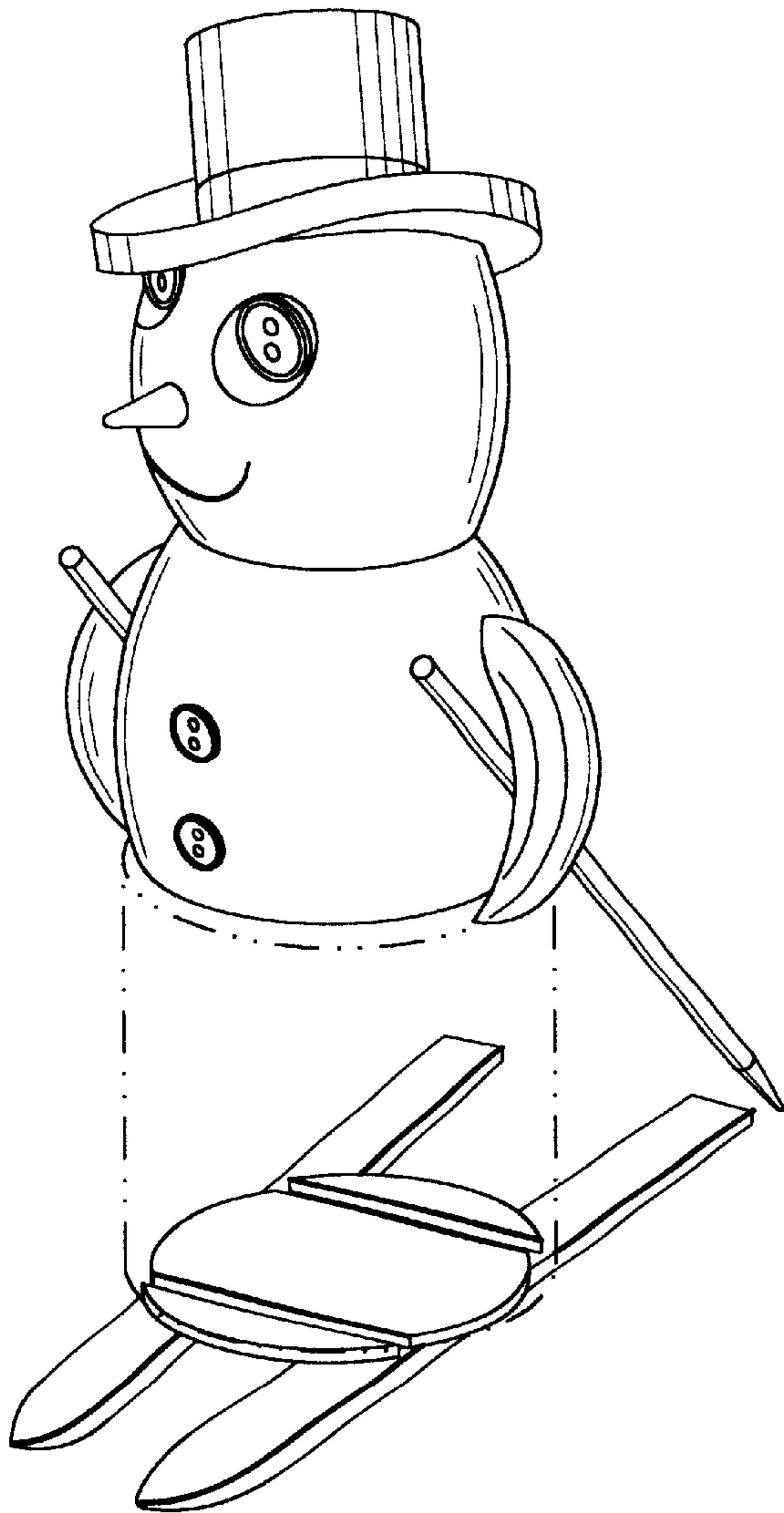


Fig. 8

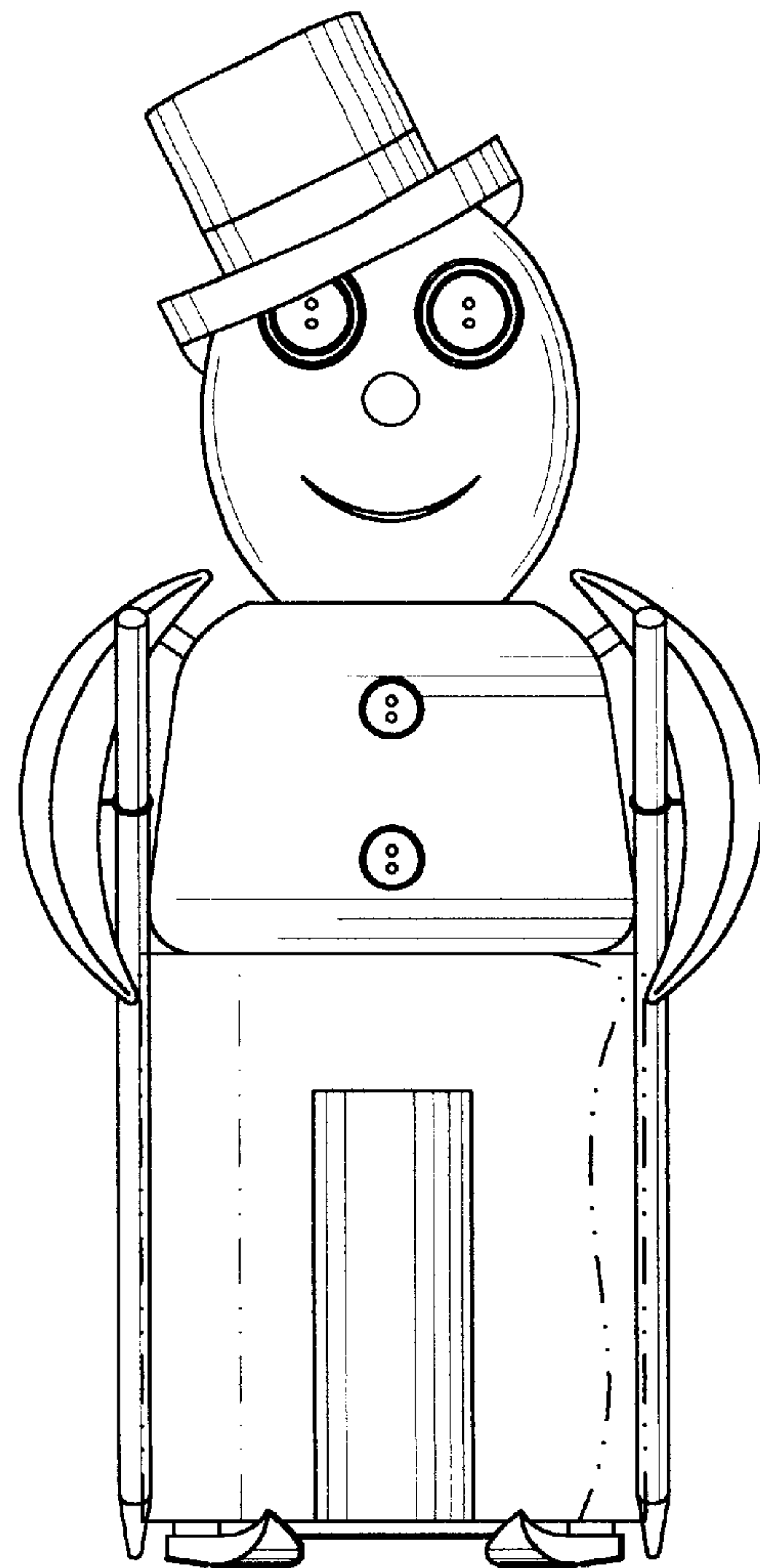


Fig. 9