



US00D523266S

(12) **United States Design Patent**  
**Jensen**

(10) **Patent No.:** **US D523,266 S**  
(45) **Date of Patent:** **\*\* Jun. 20, 2006**

(54) **FRONT PANEL FOR MOVABLE MODULAR HIGH DENSITY STORAGE SYSTEM**

(75) Inventor: **Jacob Jensen**, Højslev (DK)  
(73) Assignee: **Nord/Plan A/S**, Vippered (DK)  
(\*\*) Term: **14 Years**

(21) Appl. No.: **29/180,913**  
(22) Filed: **May 2, 2003**

(30) **Foreign Application Priority Data**

Nov. 4, 2002 (DK) ..... DA 2002 00875

(51) **LOC (8) Cl.** ..... **06-06**  
(52) **U.S. Cl.** ..... **D6/509**  
(58) **Field of Classification Search** ..... D14/364;  
312/200, 108, 257.1, 297, 330.1; D6/432,  
D6/433, 441, 446, 448, 510; 109/56  
See application file for complete search history.

(56) **References Cited**

**U.S. PATENT DOCUMENTS**

3,427,085 A \* 2/1969 Staller ..... 312/200  
3,944,309 A \* 3/1976 Taniwaki ..... 312/200  
D248,138 S \* 6/1978 Stackhouse et al. .... D6/445  
4,119,376 A \* 10/1978 Moyer ..... 312/200  
4,138,173 A \* 2/1979 Taniwaki ..... 312/200  
D285,075 S \* 8/1986 Katai ..... D14/363

(Continued)

**OTHER PUBLICATIONS**

Nord-Plan A/S company web site, "Drive Method—Manual, Mechanical and Electronic". <http://www.nord-plan.com/pages/drivetypeuk.htm>, last updated: Jul. 1, 2002.

*Primary Examiner*—Cathron C. Brooks  
(74) *Attorney, Agent, or Firm*—Nath & Associates PLLC; Gregory B. Kang; Derek Richmond

(57) **CLAIM**

The ornamental design for a front panel for movable modular high density storage system, as shown and described.

**DESCRIPTION**

FIG. 1 is a front perspective view of a first embodiment of a front panel for movable modular high density storage system, shown with a handle interface, and shown in a grouping of six modules.

FIG. 2 is a front perspective view of a second embodiment of a front panel for movable modular high density storage system, shown with a handle interface and with a label module, and shown in a grouping of six modules.

FIG. 3 is a front view of the design of FIG. 1.

FIG. 4 is a front view of the handle interface of the design of FIGS. 1 and 2, shown separately for completeness of illustration.

FIG. 5 is a side view of the handle interface of the design of FIGS. 1 and 2, shown separately for completeness of illustration.

FIG. 6 is a front perspective view of a third embodiment of a front panel for movable modular high density storage system, shown with a wheel interface, and shown in a grouping a six modules.

FIG. 7 is a front perspective view of a fourth embodiment of a front panel for movable modular high density storage system, shown with a wheel interface and with a label module, and shown in a grouping of six modules.

FIG. 8 is a front view of the design of FIG. 7.

FIG. 9 is a front view of the wheel interface of the design of FIGS. 6 and 7, shown in a passive position, and shown separately for completeness of illustration.

FIG. 10 is a front view of the wheel interface of the design of FIGS. 6 and 7, shown in an active position, and shown separately for completeness of illustration.

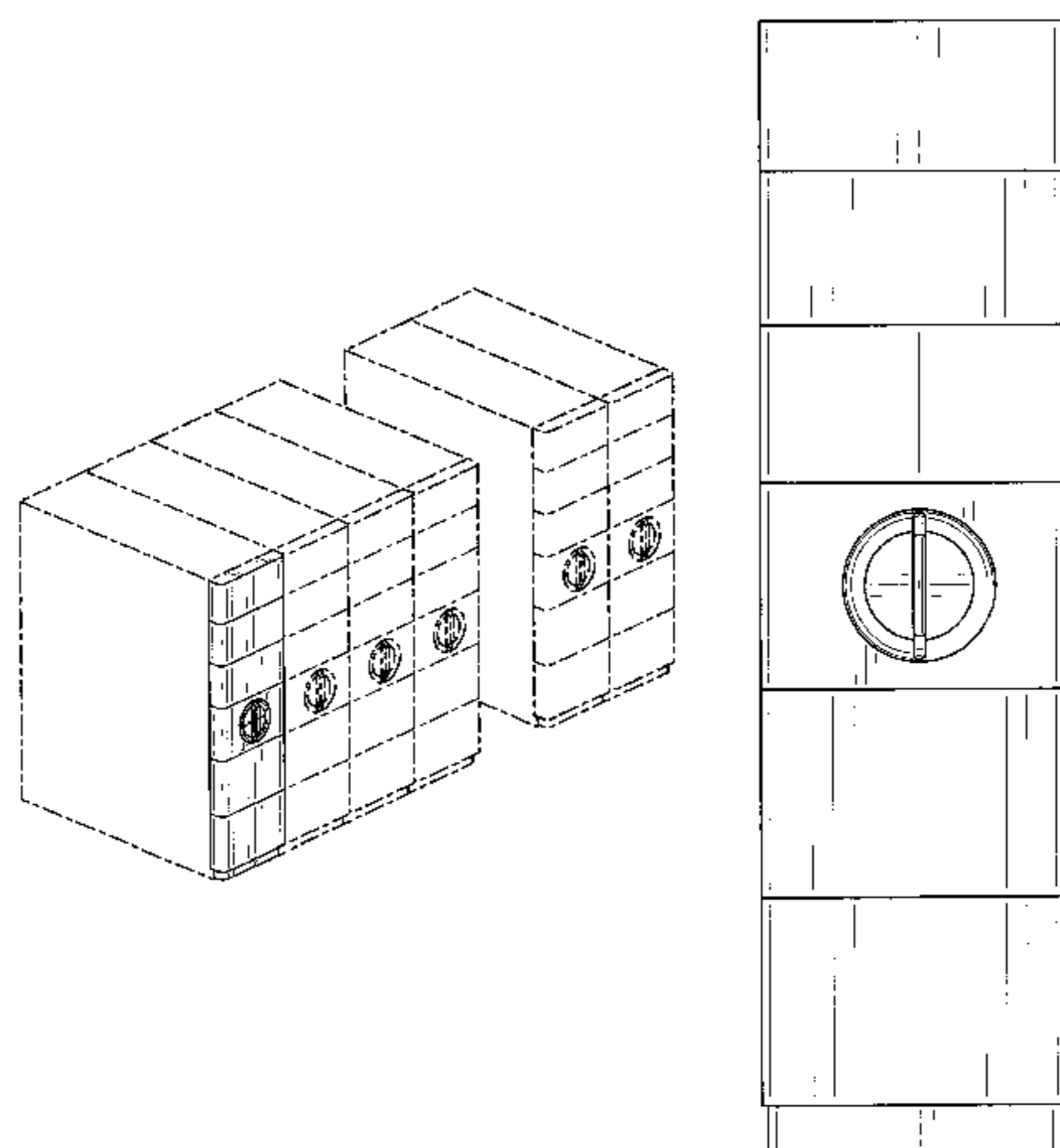
FIGS. 11–15 are side views of the wheel interface of the design of FIGS. 6 and 7, depicting progressive extension from the passive position shown in FIG. 9 to the active position shown in FIG. 10.

FIG. 16 is a front view of the design of FIG. 2; and,

FIG. 17 is a front view of the design of FIG. 7.

The broken lines shown in the drawings form no part of the claimed design.

**1 Claim, 13 Drawing Sheets**



U.S. PATENT DOCUMENTS

D335,285 S \* 5/1993 Utsuki et al. .... D14/364  
5,358,321 A \* 10/1994 Leonardi ..... 312/9.55  
D428,393 S \* 7/2000 Nelson et al. .... D13/184  
6,260,936 B1 \* 7/2001 Frank et al. .... 312/201

OTHER PUBLICATIONS

Nord-Plan A/S company web site, "Integral Lighting".  
<http://www.nord-plan.com/pages/lightuk.htm>, last updated:  
Jul. 1, 2002.

Nord-Plan A/S company web site, "Ventilation". <http://www.nord-plan.com/pages/ventilationuk.htm>, last updated:  
Jul. 1, 2002.

Nord-Plan A/S company web site, "Flooring". <http://www.nord-plan.com/pages/flooruk.htm>, last updated: Jul. 1,  
2002.

Nord-Plan A/S company web site, "Drawer Systems".  
<http://www.nord-plan.com/pages/drawersuk.htm>, last  
updated: Jul. 1, 2002.

Nord-Plan A/S company web site, "Shelving System".  
<http://www.nord-plan.com/pages/shelvinguk.htm>, last  
updated: Jul. 1, 2002.

Nord-Plan A/S company web site, "Design & Finishes".  
<http://www.nord-plan.com/pages/designuk.htm>, last  
updated: Jul. 1, 2002.

Nord-Plan A/S company web site, "Special Solutions".  
<http://www.nord-plan.com/pages/specialuk.htm>, last  
updated: Jul. 1, 2002.

Nord-Plan A/S company web site, "Two-Tier". <http://www.nord-plan.com/pages/twotieruk.htm>, last updated: Jul. 1,  
2002.

\* cited by examiner

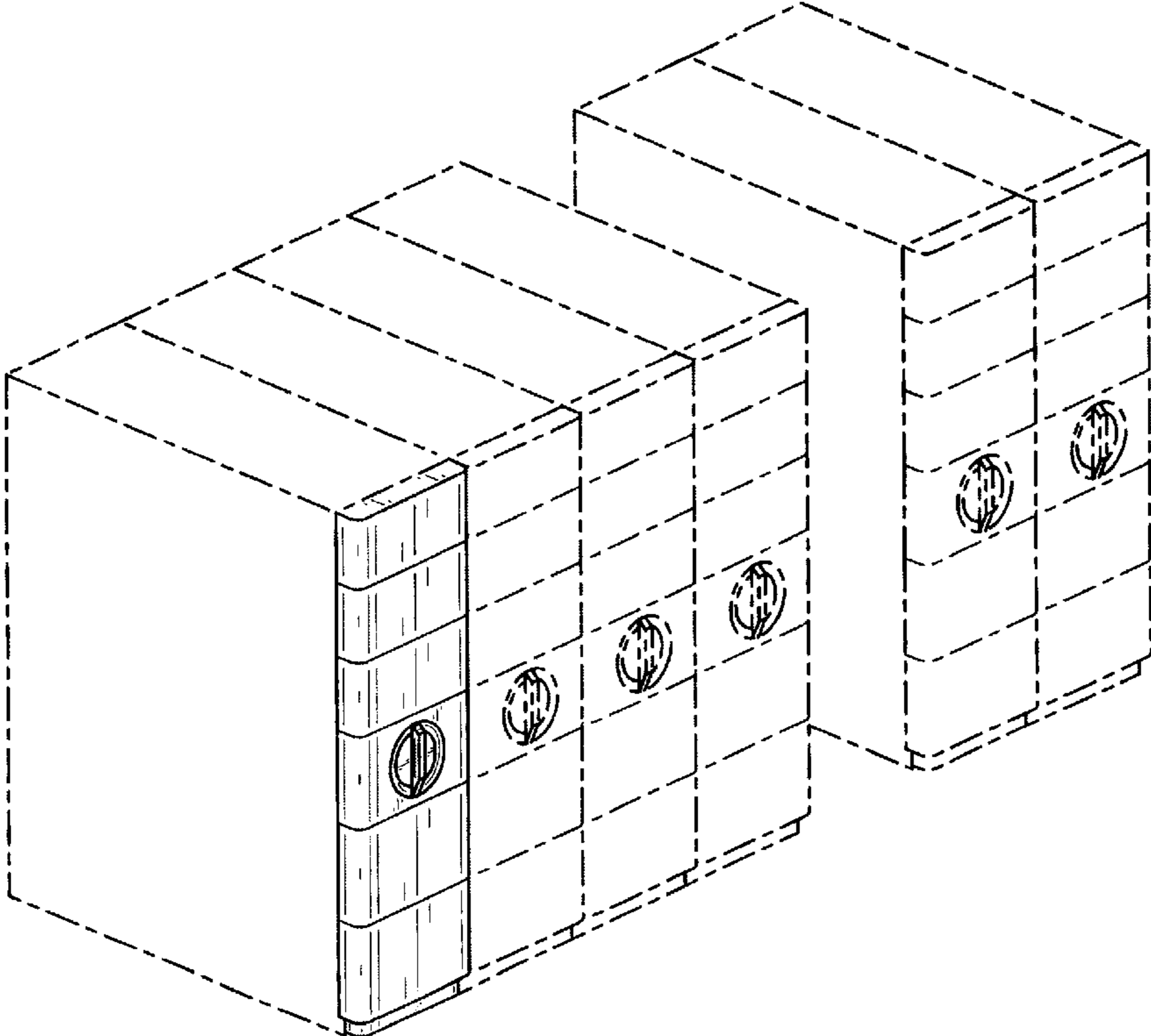


FIG. 1

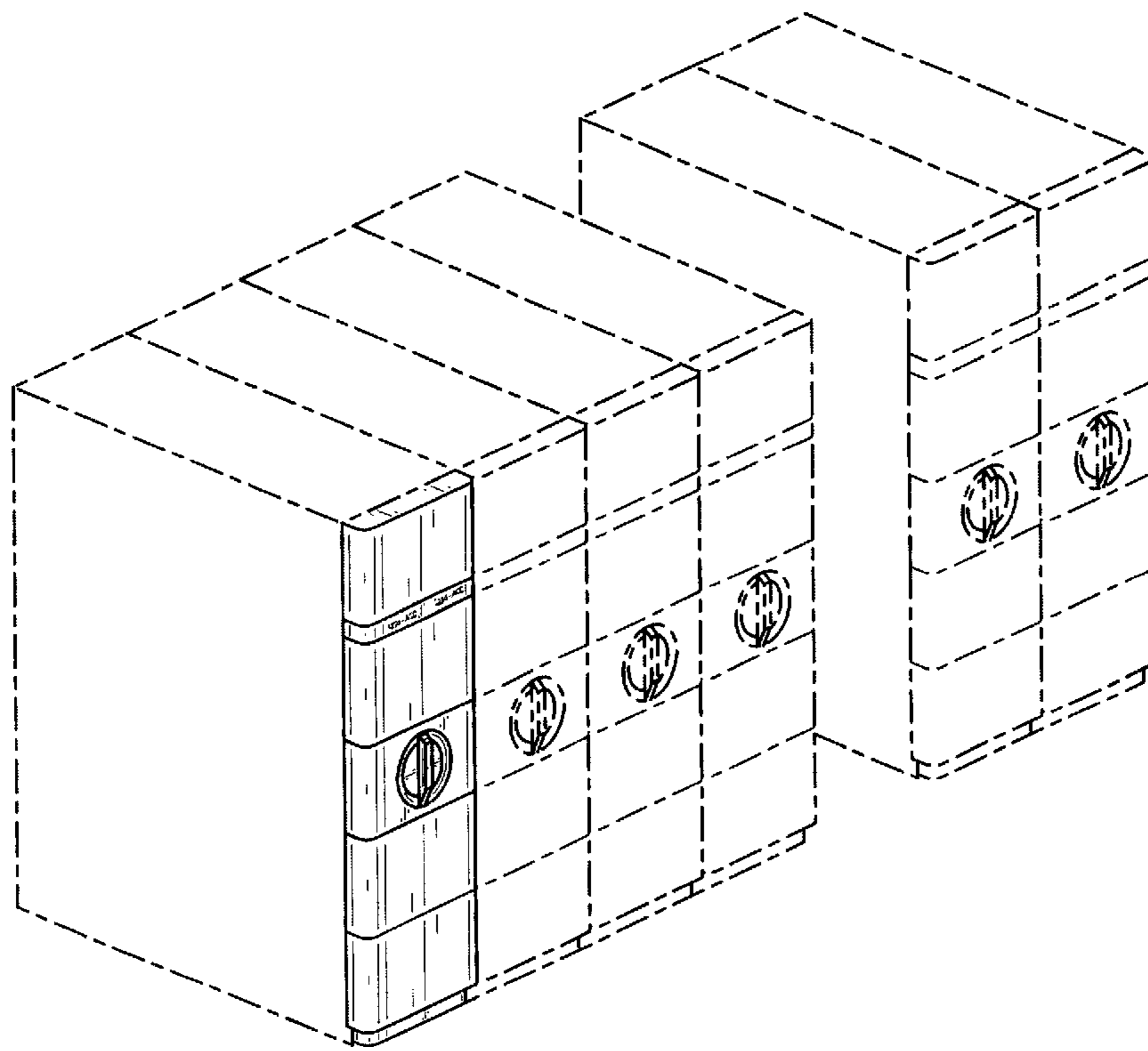


FIG. 2

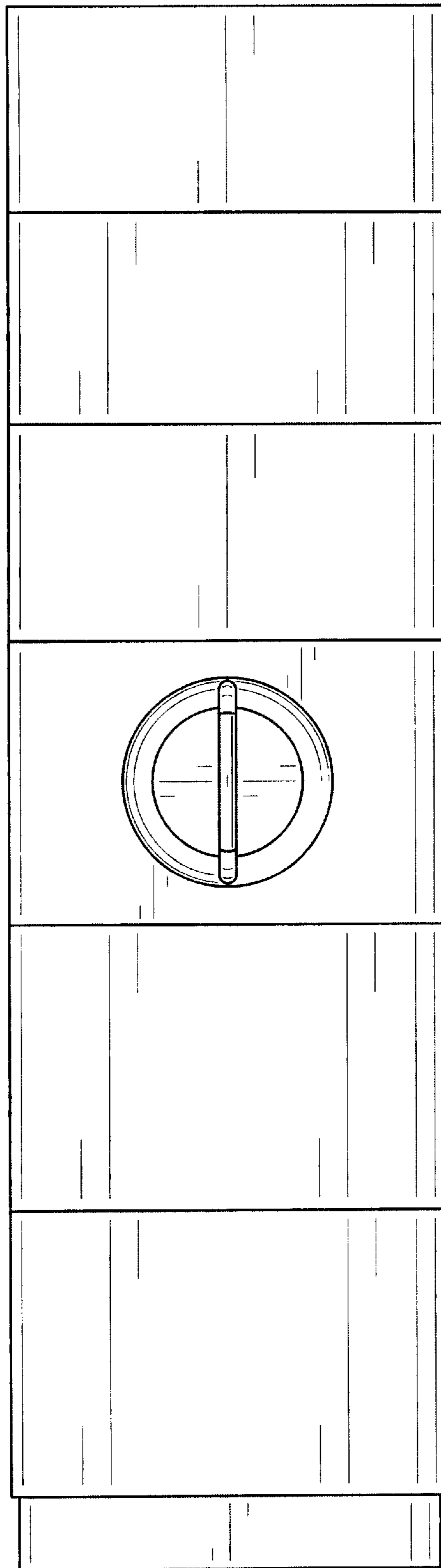


FIG. 3



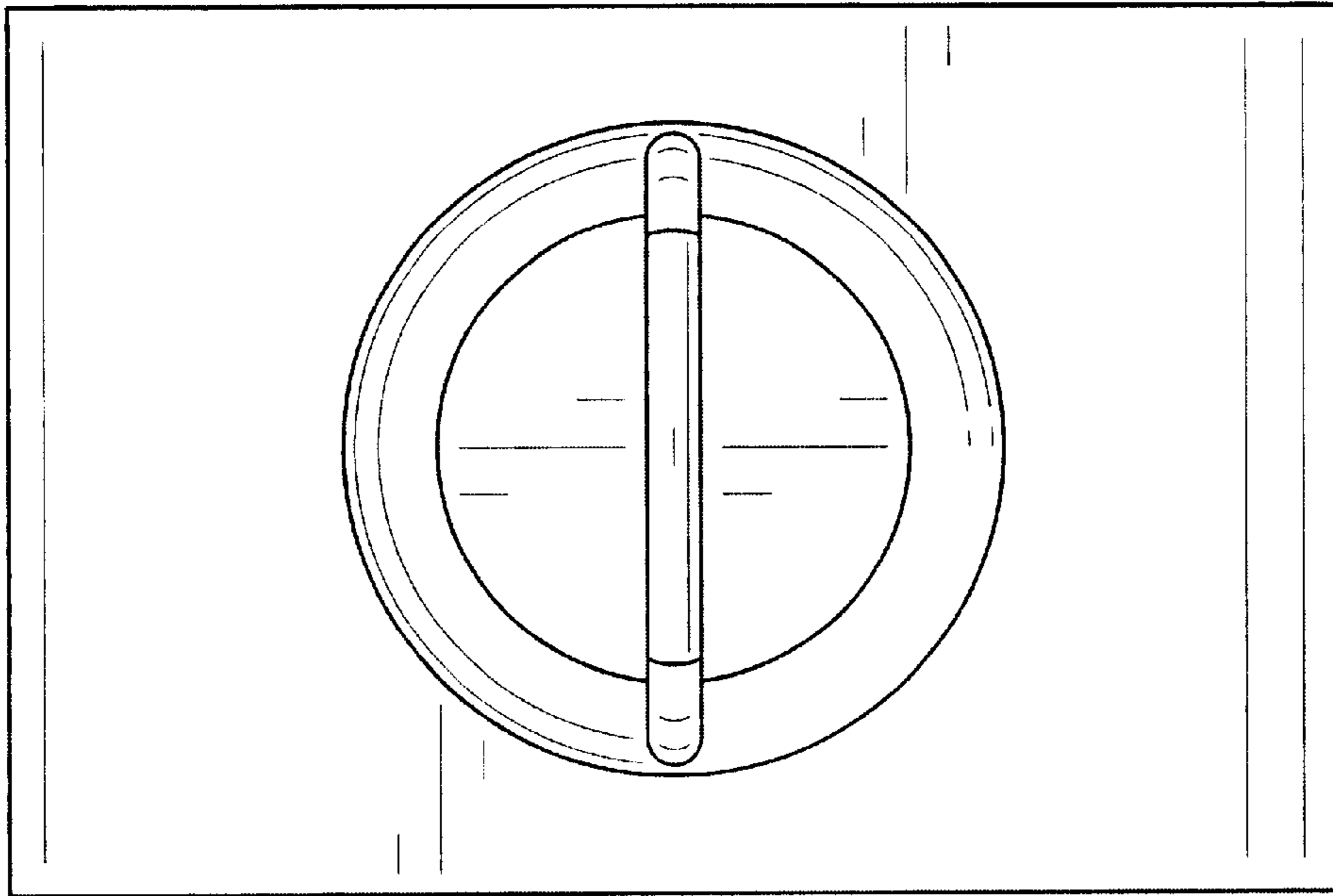


FIG. 4

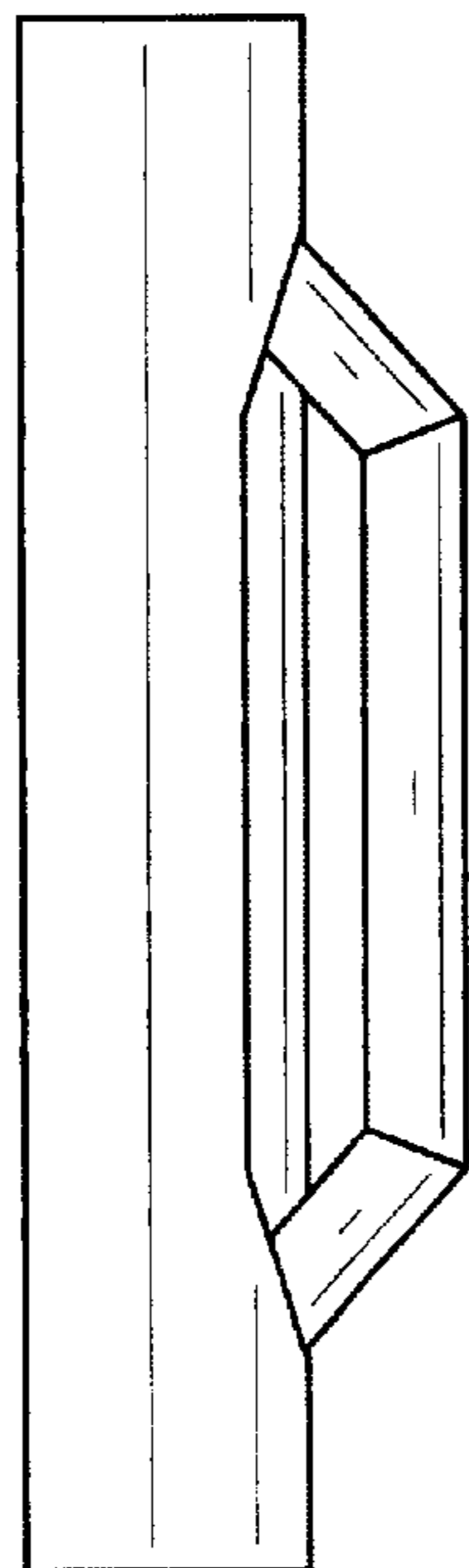


FIG. 5

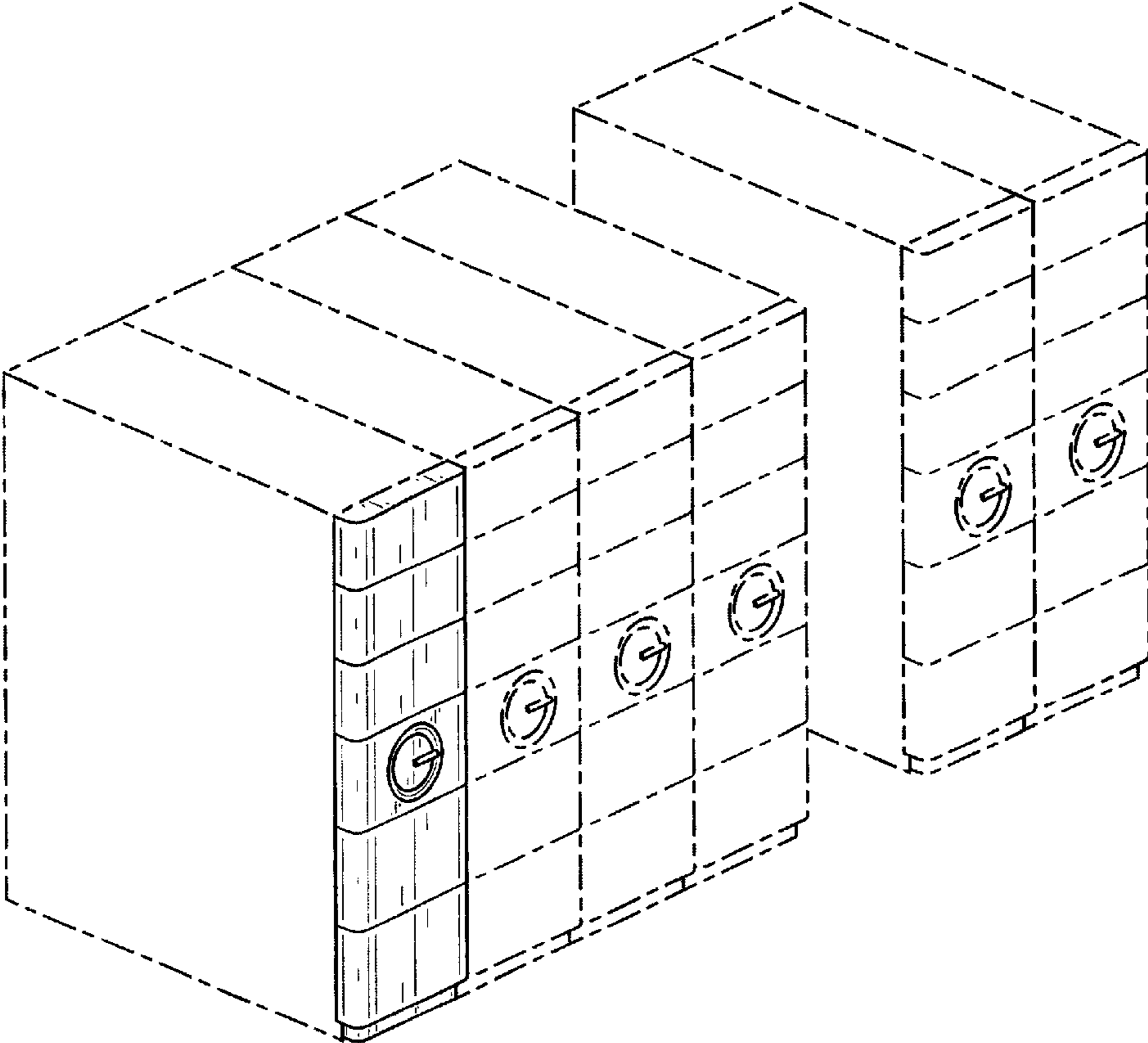


FIG. 6

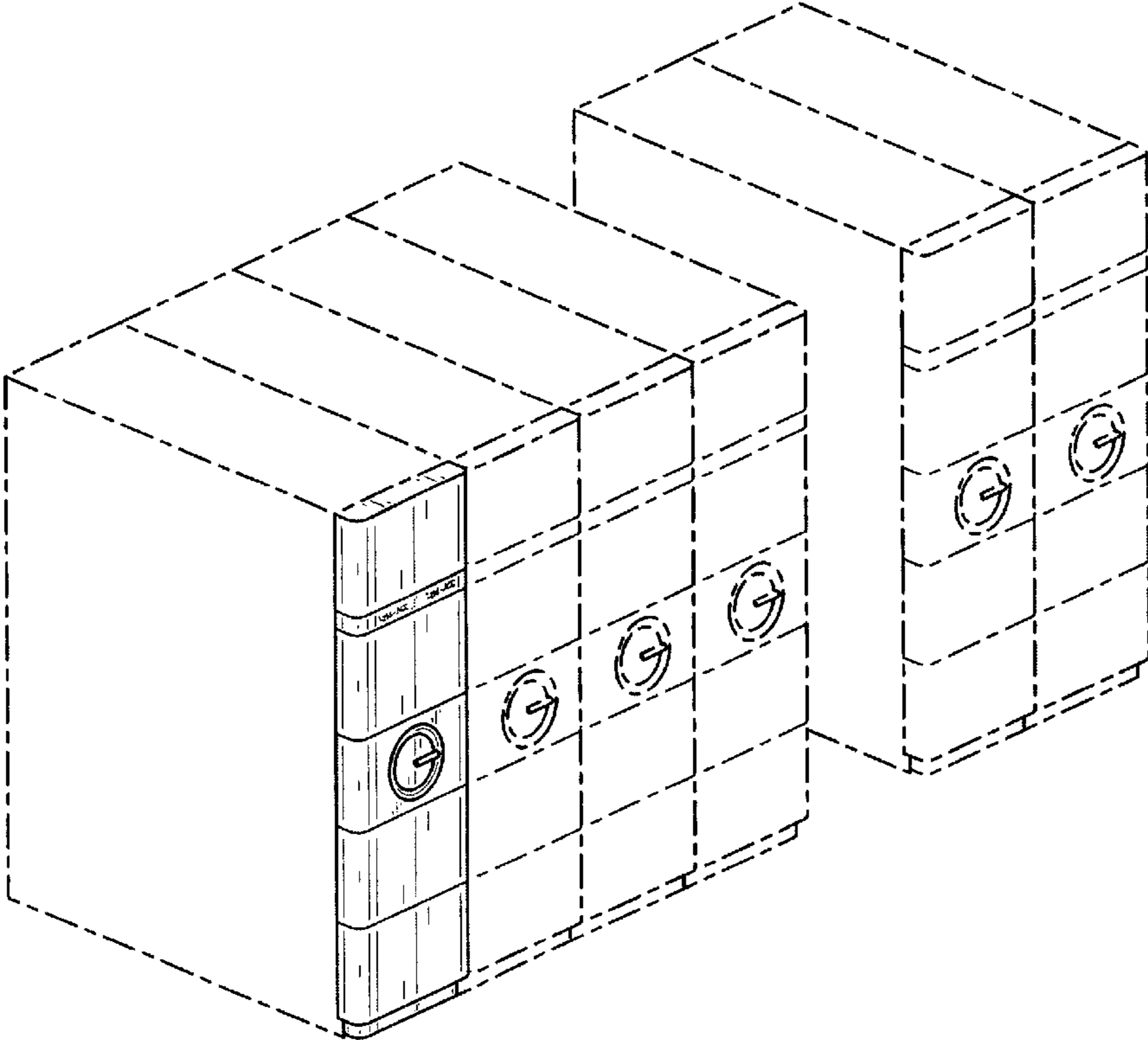


FIG. 7



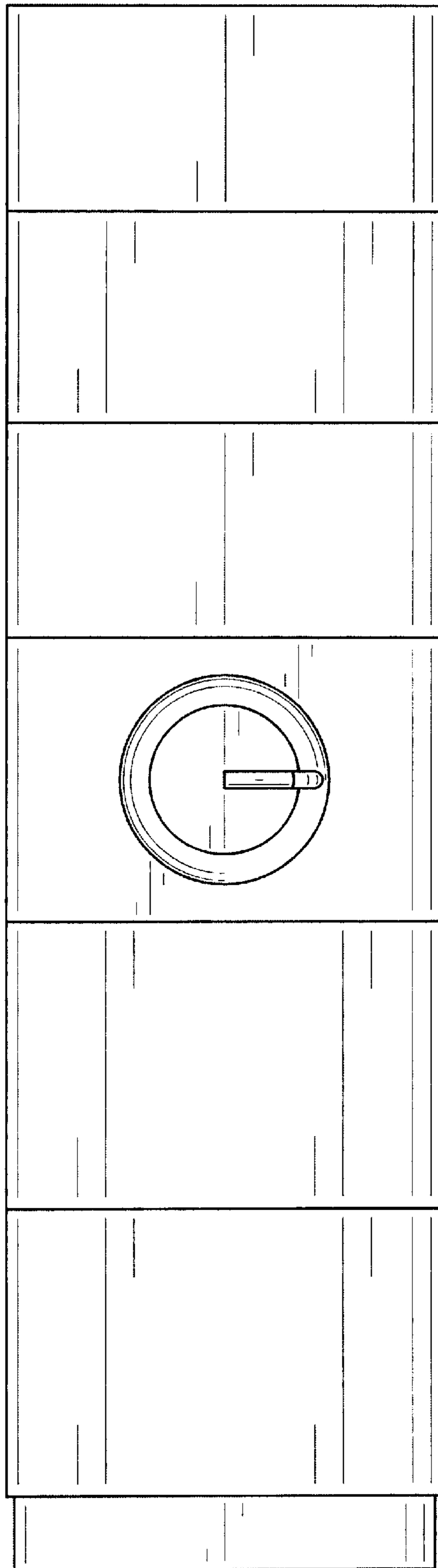


FIG. 8

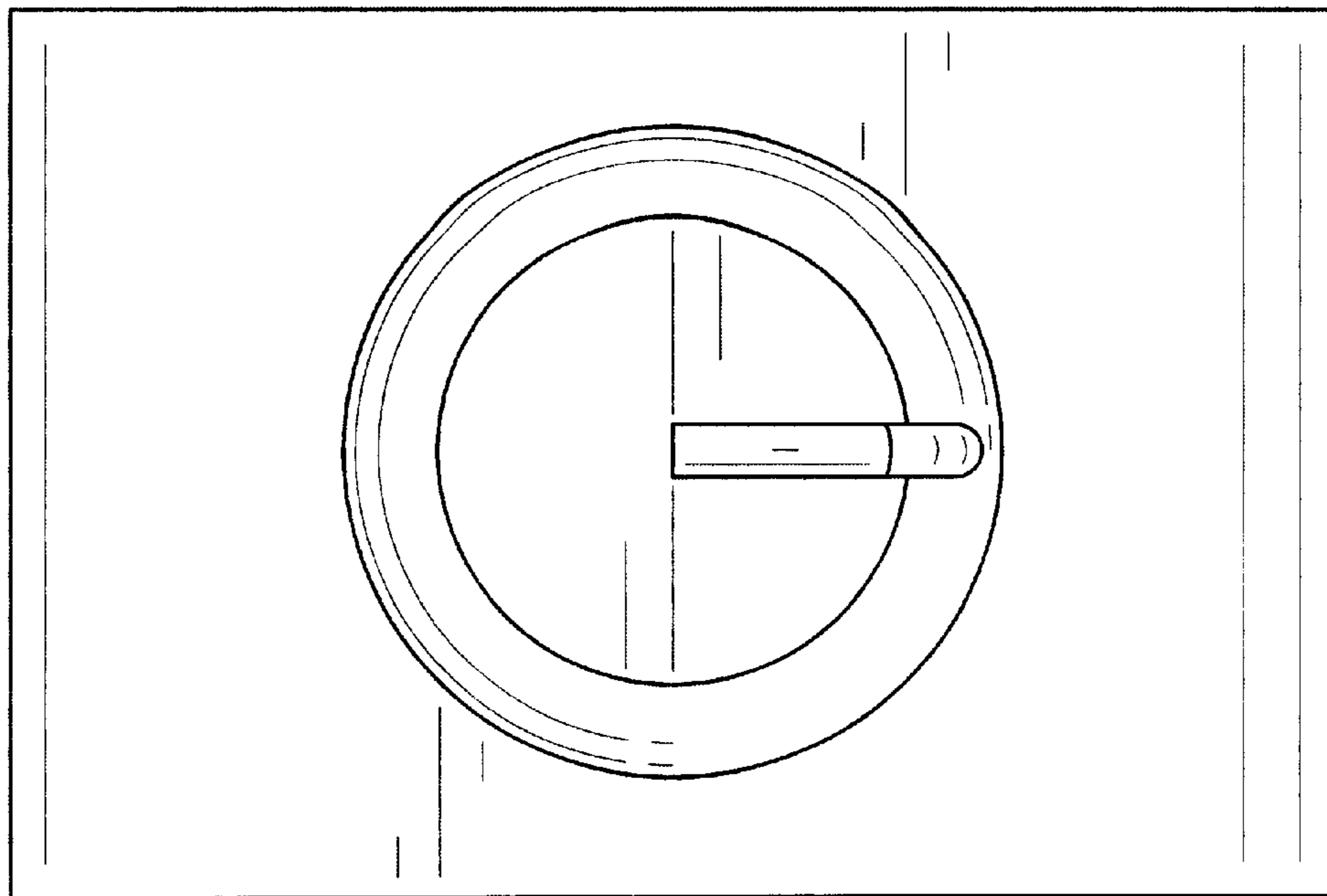


FIG. 9

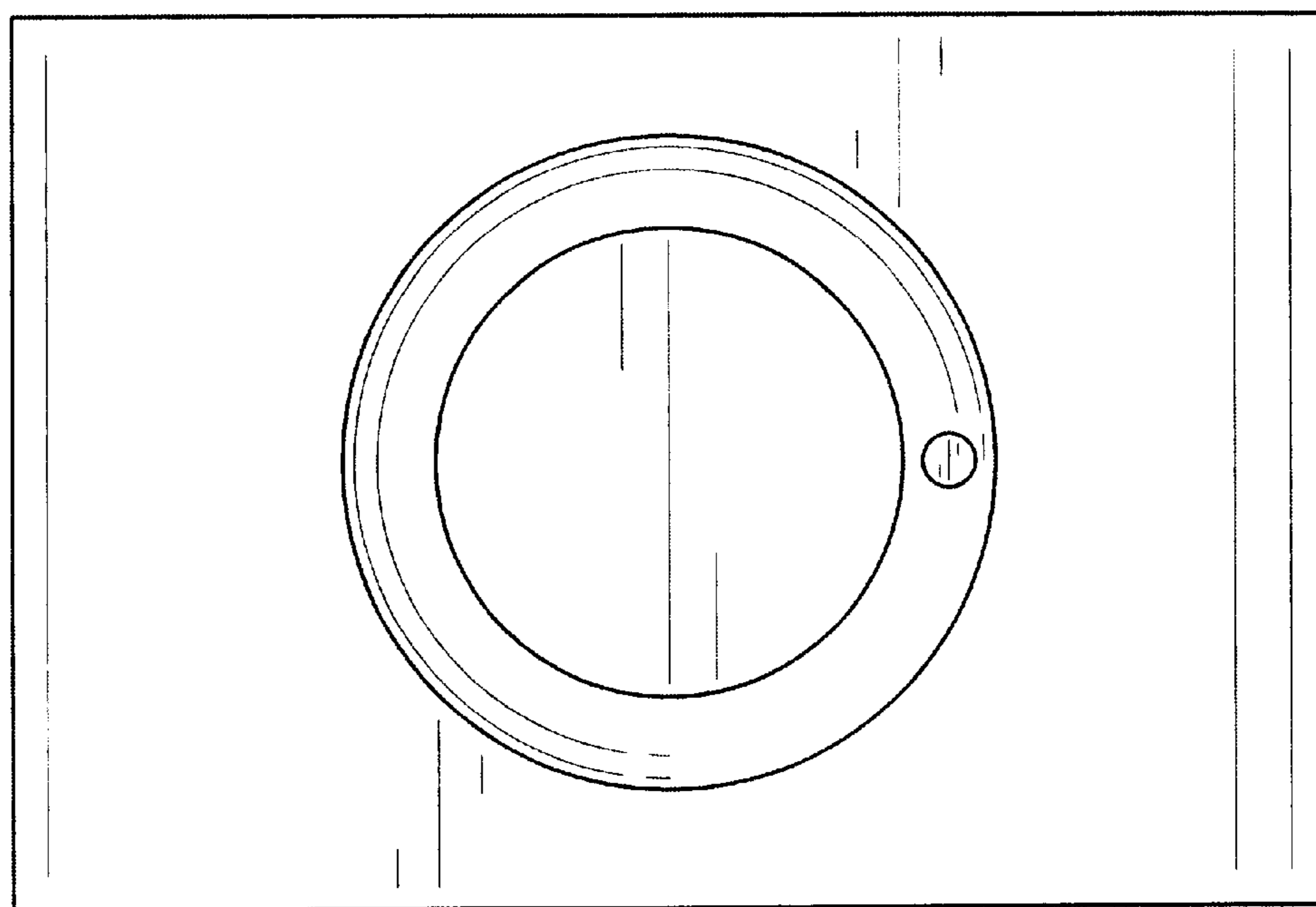


FIG. 10

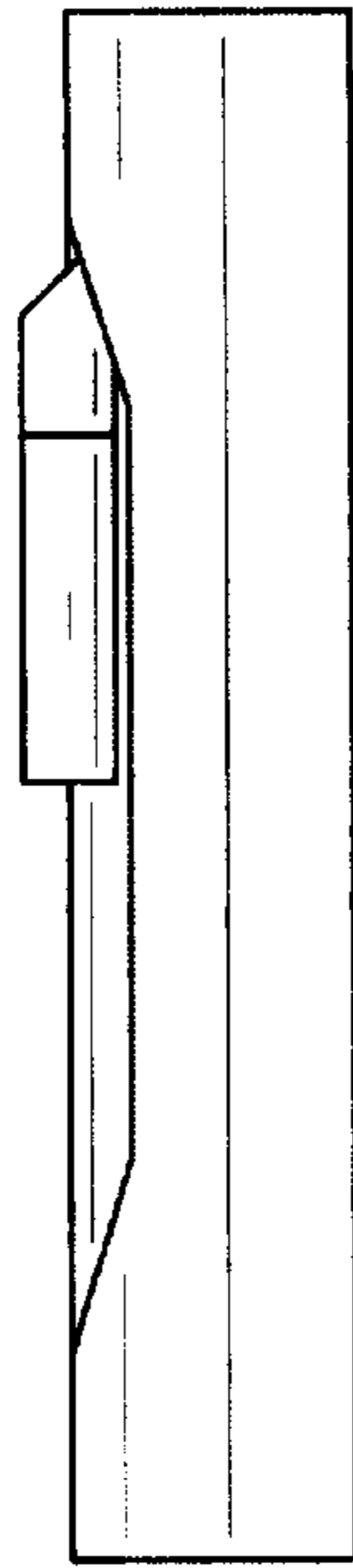


FIG. 11

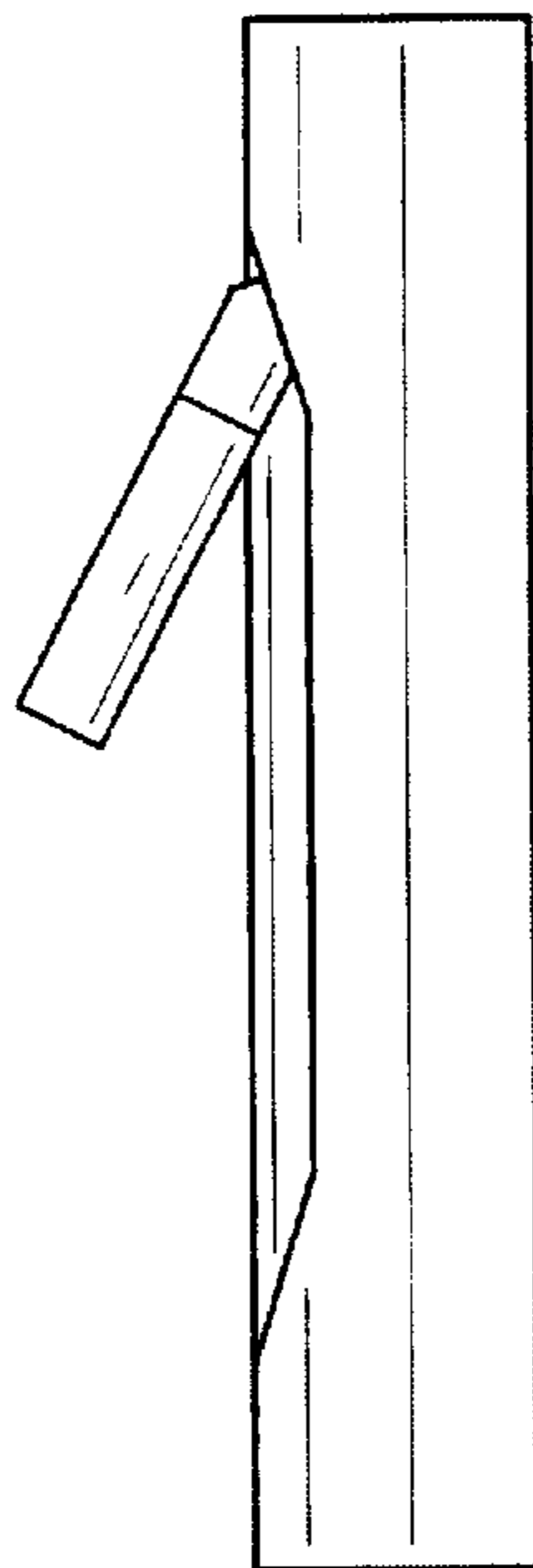


FIG. 12

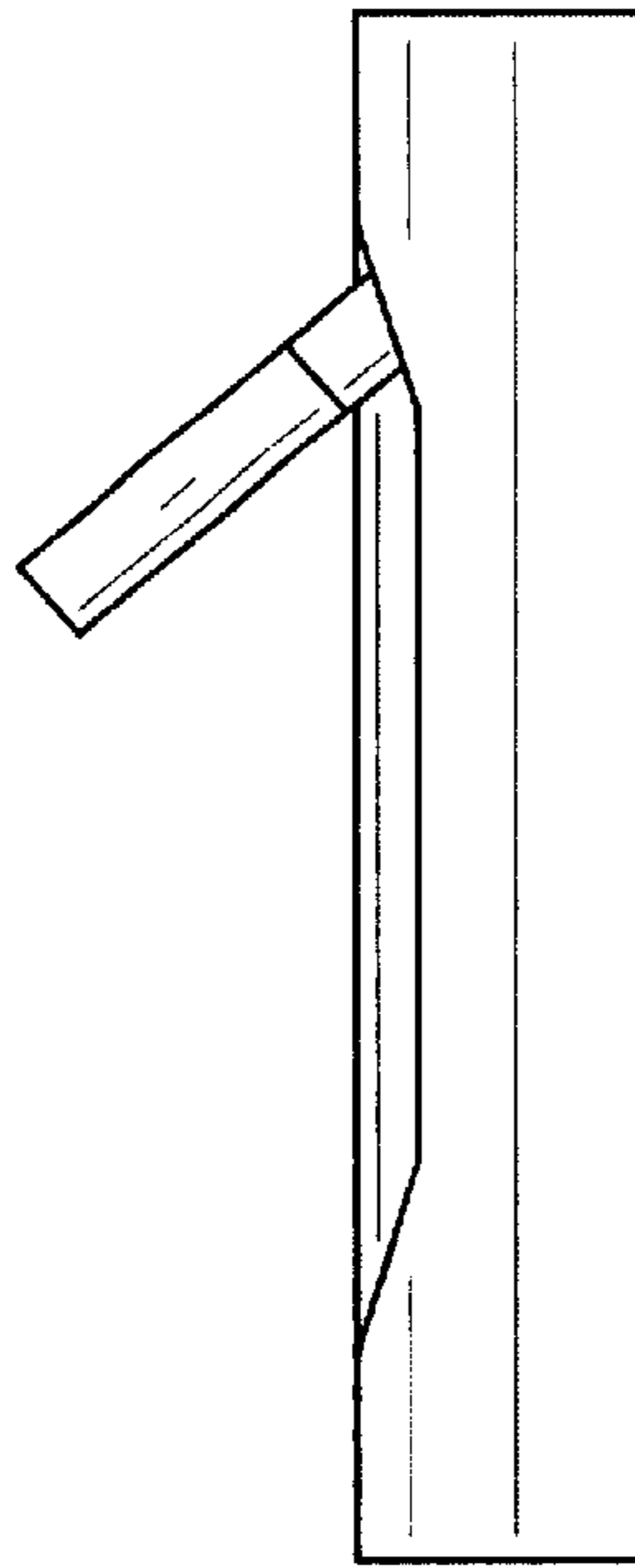


FIG. 13

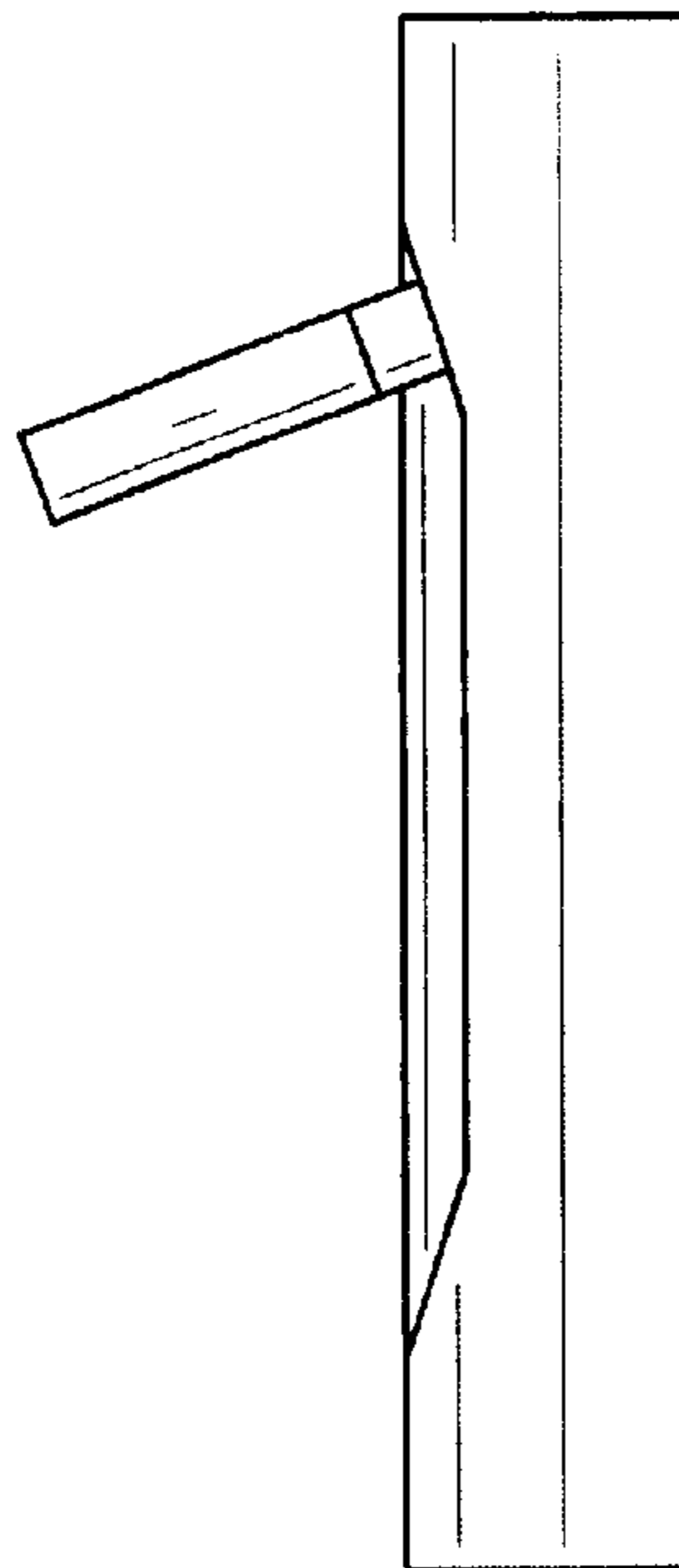


FIG. 14

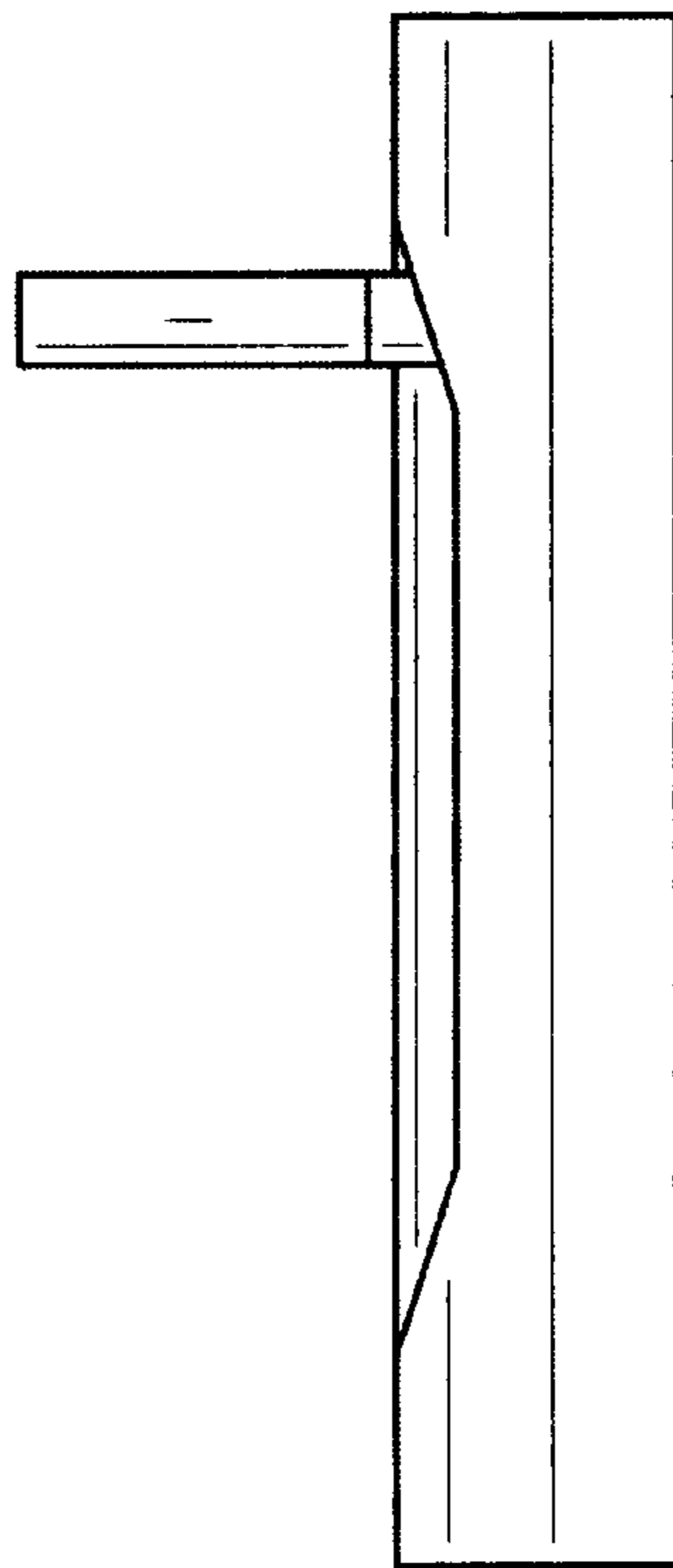


FIG. 15

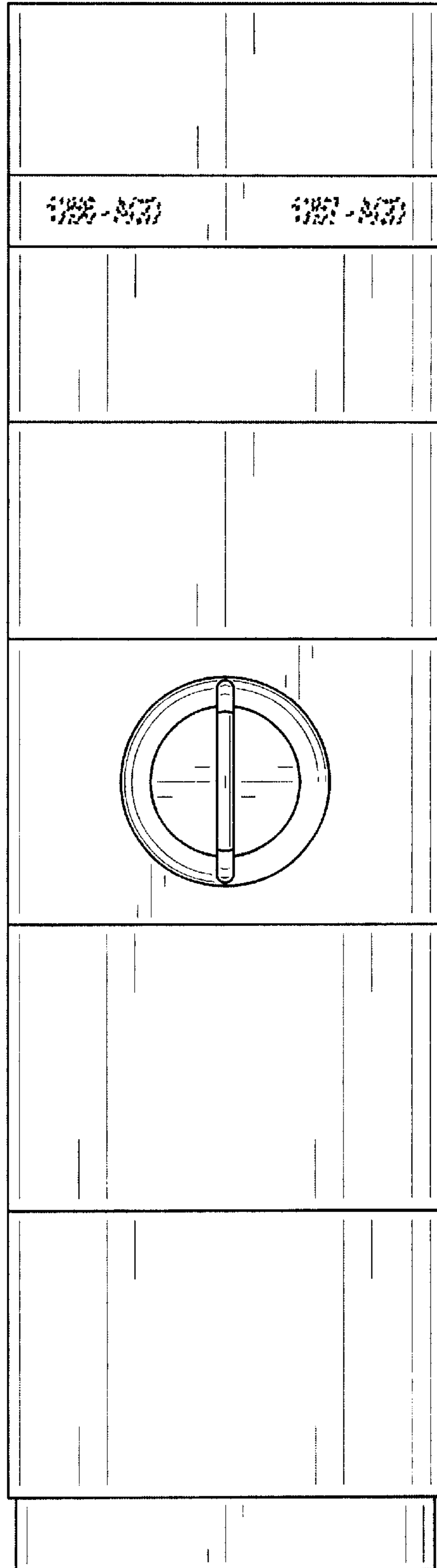


FIG. 16



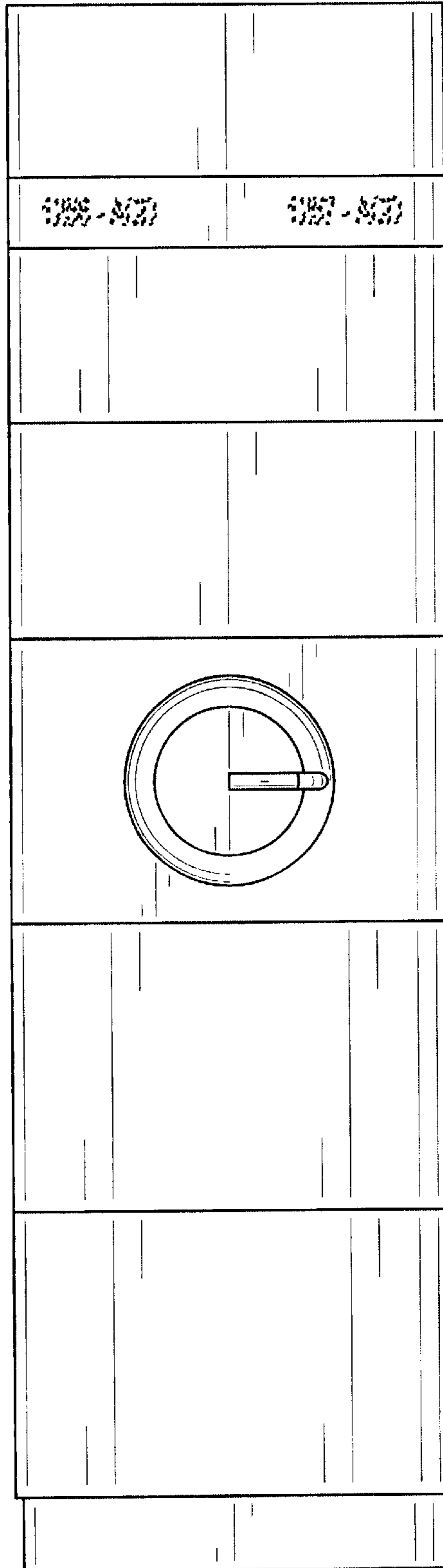


FIG. 17