

US00D523264S

(12) **United States Design Patent**
Peng

(10) **Patent No.:** **US D523,264 S**
(45) **Date of Patent:** **** Jun. 20, 2006**

(54) **HEADREST-MOUNT HOLDER FOR DVD
PLAYER WITH DISPLAY**

(75) Inventor: **Juen-Tien Peng, Chung Li (TW)**

(73) Assignee: **Action Electronics Co., Ltd., Chung Li
(TW)**

(**) Term: **14 Years**

(21) Appl. No.: **29/199,502**

(22) Filed: **Feb. 18, 2004**

(51) **LOC (8) Cl.** **06-01**

(52) **U.S. Cl.** **D6/500**

(58) **Field of Classification Search** D6/334-336,
D6/356, 574, 491, 492, 500-502; D12/195,
D12/345; D14/217, 239, 240, 374; 248/917;
297/188.01, 188.05, 188.06, 188.19, 217.3,
297/217.4, 217.5, 391

See application file for complete search history.

(56) **References Cited**

U.S. PATENT DOCUMENTS

3,235,305	A	*	2/1966	Dlouhy et al.	297/188.05
D259,038	S	*	4/1981	Smith	D12/195
D281,940	S	*	12/1985	Steventon et al.	D6/492
D289,284	S	*	4/1987	Giordano et al.	D14/239
D289,285	S	*	4/1987	Giordano et al.	D14/240
D339,562	S	*	9/1993	Ditzig et al.	D12/345
5,267,775	A	*	12/1993	Nguyen	297/217.3
5,507,556	A	*	4/1996	Dixon	297/217.3
6,578,912	B1	*	6/2003	Hansen et al.	297/217.3

6,669,285	B1	*	12/2003	Park et al.	297/217.3
6,698,832	B1	*	3/2004	Boudinot	297/217.4
6,739,654	B1	*	5/2004	Shen et al.	297/188.04
D496,197	S	*	9/2004	Wenzler	D6/500
6,786,547	B1	*	9/2004	Chu	297/217.3
6,883,870	B1	*	4/2005	Jost	297/391
2002/0145317	A1	*	10/2002	Hansen et al.	297/217.3
2004/0004378	A1	*	1/2004	Park et al.	297/217.3
2004/0007906	A1	*	1/2004	Park et al.	297/217.4
2004/0160096	A1	*	8/2004	Boudinot	297/217.3
2005/0099042	A1	*	5/2005	Vitito	297/217.3
2005/0110313	A1	*	5/2005	Vitito et al.	297/217.3
2005/0242638	A1	*	11/2005	Vitito	297/217.3

* cited by examiner

Primary Examiner—Mimosa De

(74) *Attorney, Agent, or Firm*—Rosenberg, Klein & Lee

(57) **CLAIM**

The shape of a headrest-mount holder for DVD player with display, as shown.

DESCRIPTION

FIG. 1 is a perspective view of headrest-mount holder for DVD player with display embodying my design.

FIG. 2 is a front elevational view thereof;

FIG. 3 is rear elevational view thereof.

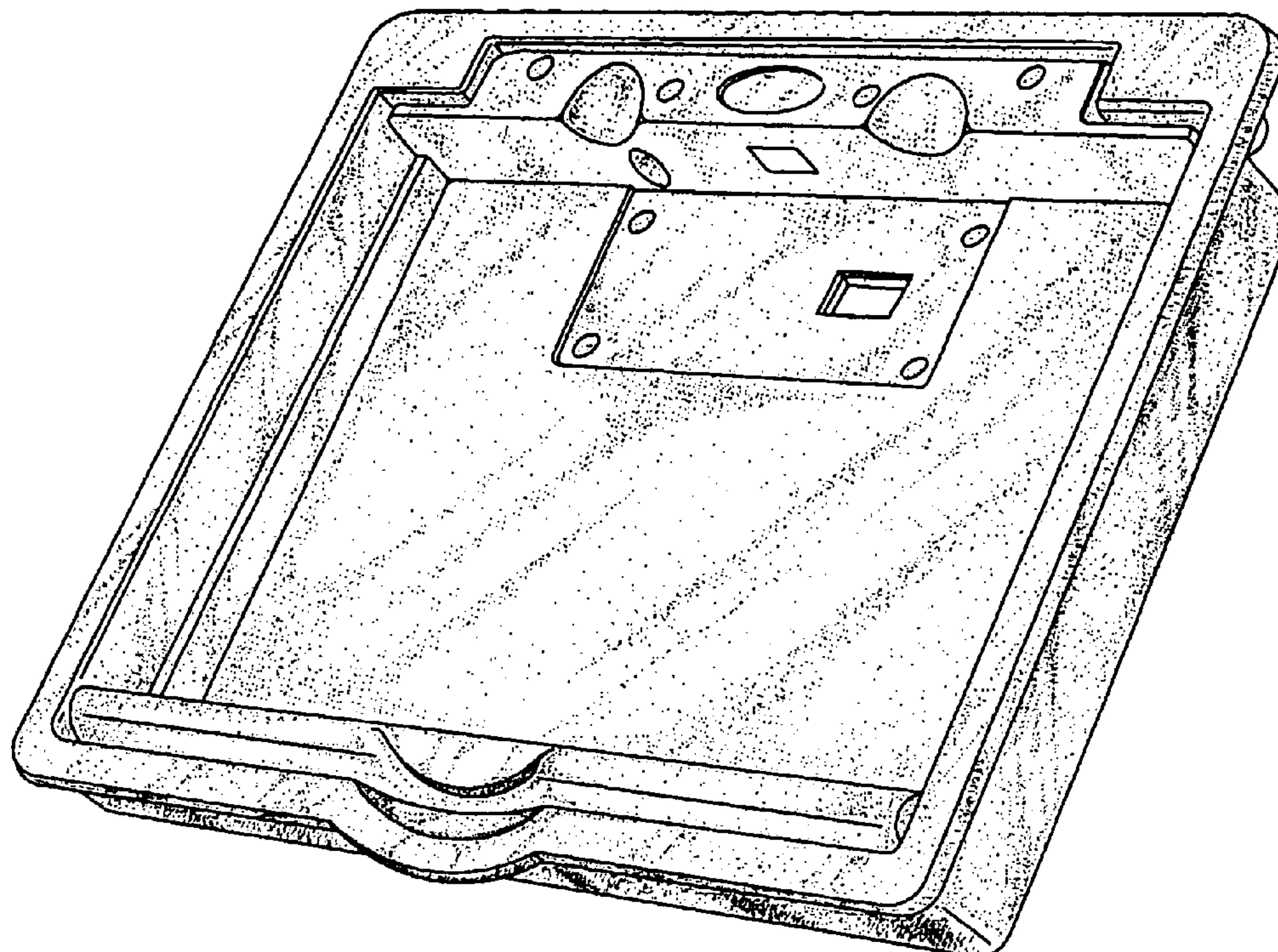
FIG. 4 is left elevational view thereof;

FIG. 5 is a right elevational view thereof;

FIG. 6 is a top view thereof; and,

FIG. 7 is a bottom view thereof.

1 Claim, 4 Drawing Sheets



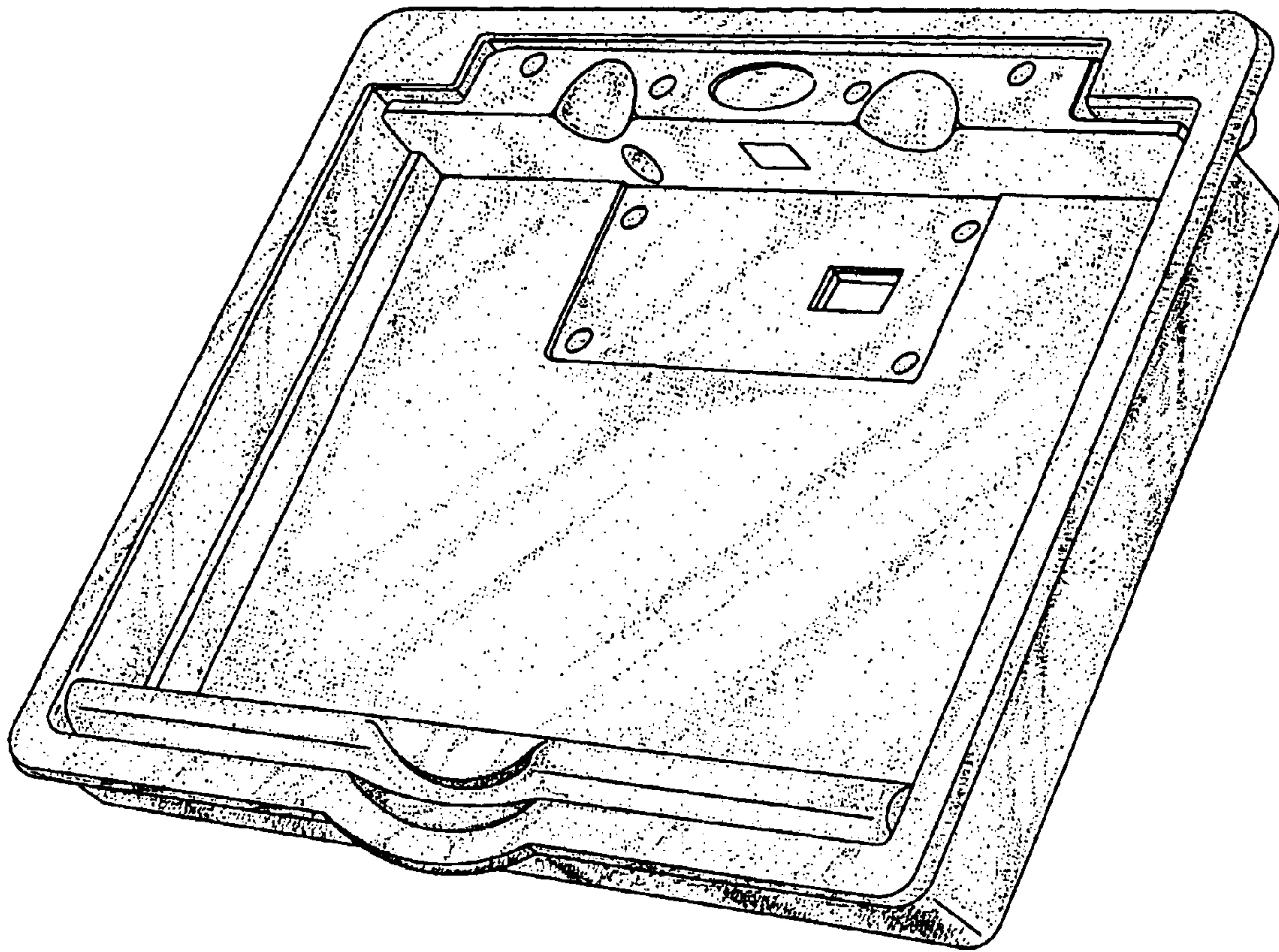


FIG. 1

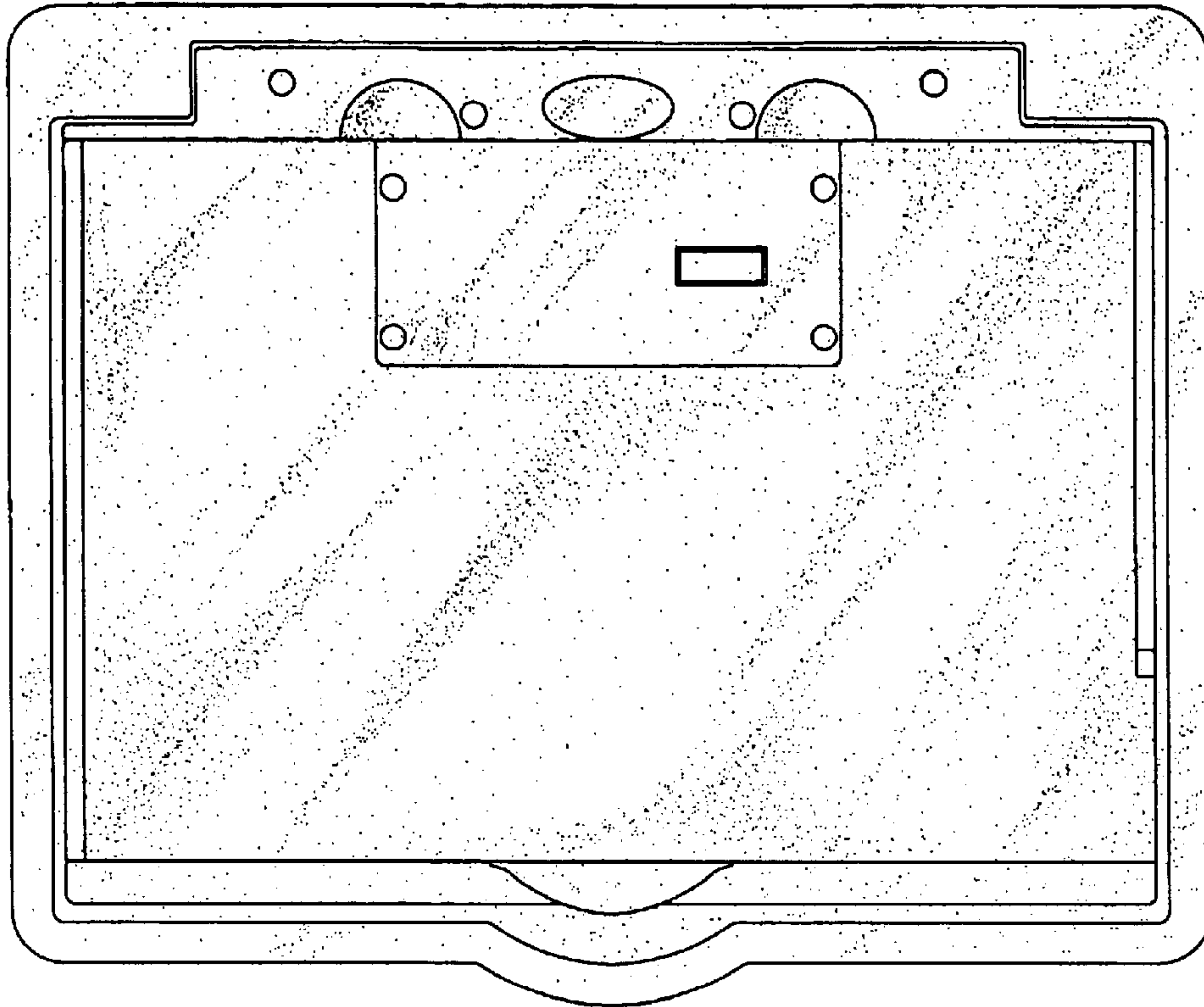


FIG. 2

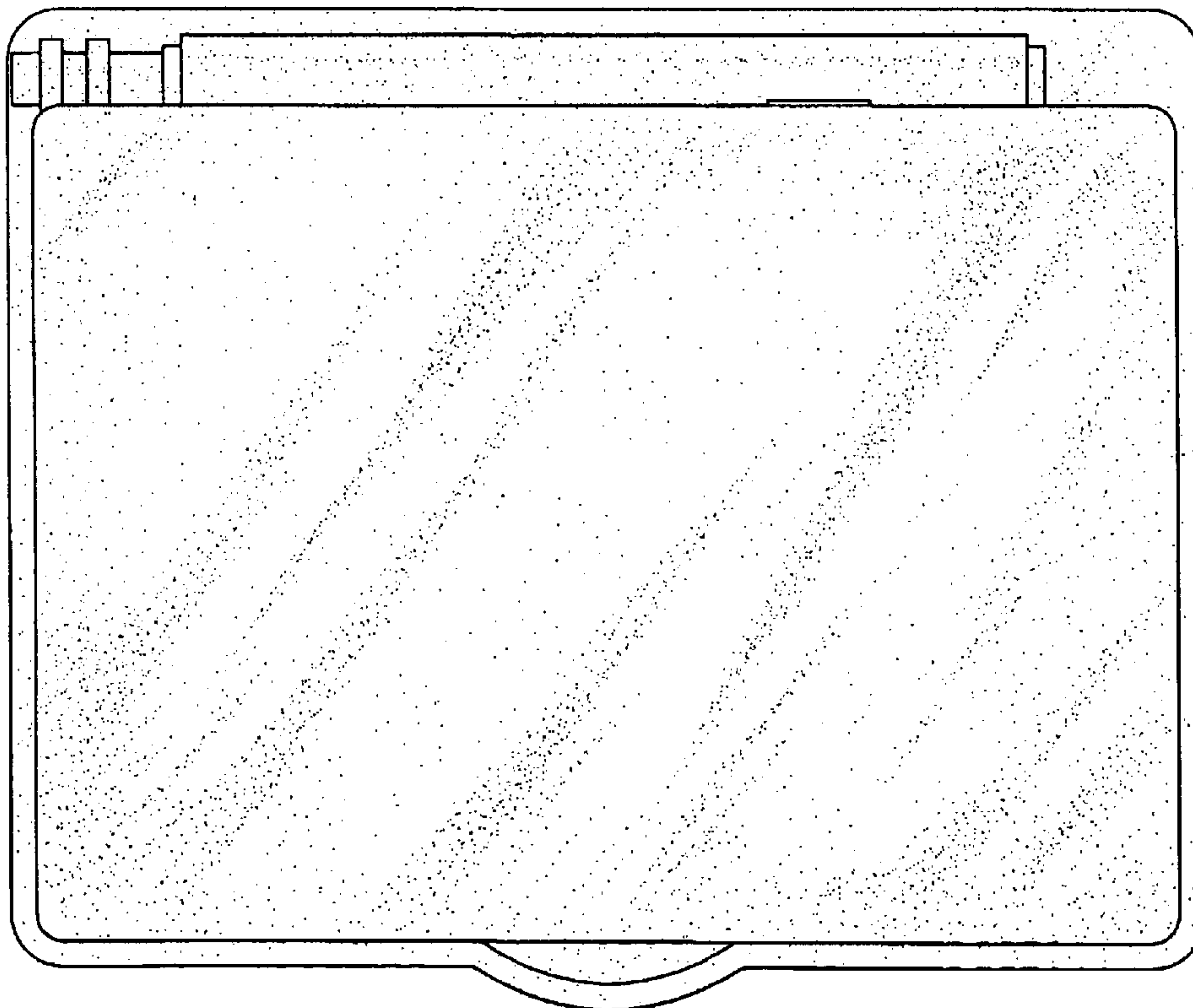


FIG. 3

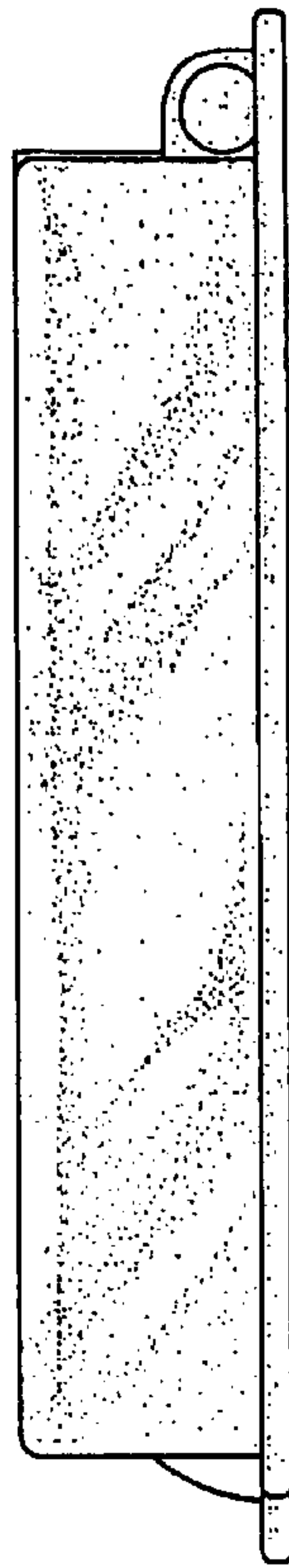


FIG. 4

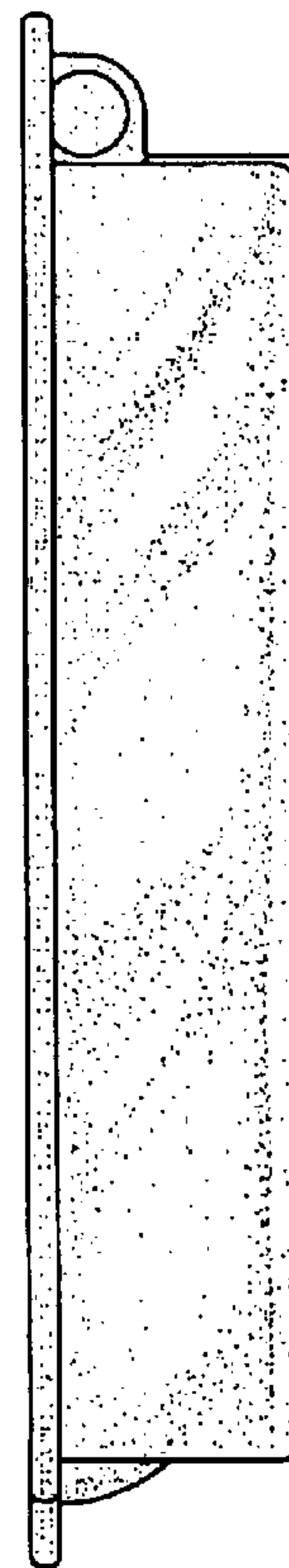


FIG. 5

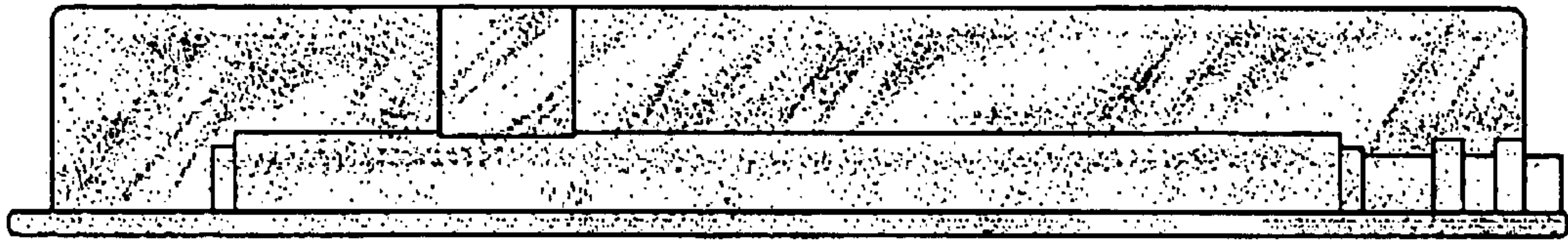


FIG. 6



FIG. 7