

US00D523260S

(12) **United States Design Patent**
Sciandra

(10) **Patent No.:** **US D523,260 S**
(45) **Date of Patent:** **** *Jun. 20, 2006**

(54) **MULTIPLE PURPOSE POLE STAND**

FOREIGN PATENT DOCUMENTS

(76) Inventor: **Carol S. Sciandra**, 7830 - 44th St., N.,
Pinellas Park, FL (US) 33781

EP 436160 A2 * 7/1991

* cited by examiner

(*) Notice: This patent is subject to a terminal disclaimer.

Primary Examiner—Janice E. Seeger
Assistant Examiner—Sydney Buffalow
(74) *Attorney, Agent, or Firm*—Larson & Larson, PA;
Herbert W. Larson

(**) Term: **14 Years**

(21) Appl. No.: **29/191,590**

(57) **CLAIM**

(22) Filed: **Oct. 10, 2003**

The ornamental design for a multiple purpose pole stand, as shown and described.

(51) **LOC (8) Cl.** **06-07**

(52) **U.S. Cl.** **D6/462**

(58) **Field of Classification Search** D6/329,
D6/409–418, 449, 455, 457, 458, 462, 552;
D17/99; D26/8; 211/13.1, 181.1, 182, 189,
211/195, 196, 205

See application file for complete search history.

DESCRIPTION

FIG. 1 is a front elevational view of a multiple purpose pole stand showing my novel design;
FIG. 2 is a rear elevational view thereof;
FIG. 3 is a left side view thereof;
FIG. 4 is a right side view thereof;
FIG. 5 is a top plan view thereof;
FIG. 6 is a bottom plan view thereof;
FIG. 7 is a perspective view of a multiple purpose pole stand of the present invention; and,
FIG. 8 is a perspective view of an alternate embodiment of a multiple purpose pole stand of the present invention.
The broken lines shown in FIGS. 7 and 8 are for illustrative purposes only and form no part of the overall claimed design.

(56) **References Cited**

U.S. PATENT DOCUMENTS

2,459,785	A	*	1/1949	Allerton	248/412
2,969,436	A	*	1/1961	Kilyk	381/363
D429,921	S	*	8/2000	Allanson	D6/458
D446,948	S		8/2001	Sciandra		
D468,558	S		1/2003	Sciandra		
D492,136	S	*	6/2004	Sciandra	D6/462
D492,859	S	*	7/2004	Sciandra	D6/462
D493,044	S	*	7/2004	Sciandra	D6/462
D497,904	S	*	11/2004	Dardashti	D14/224

1 Claim, 5 Drawing Sheets

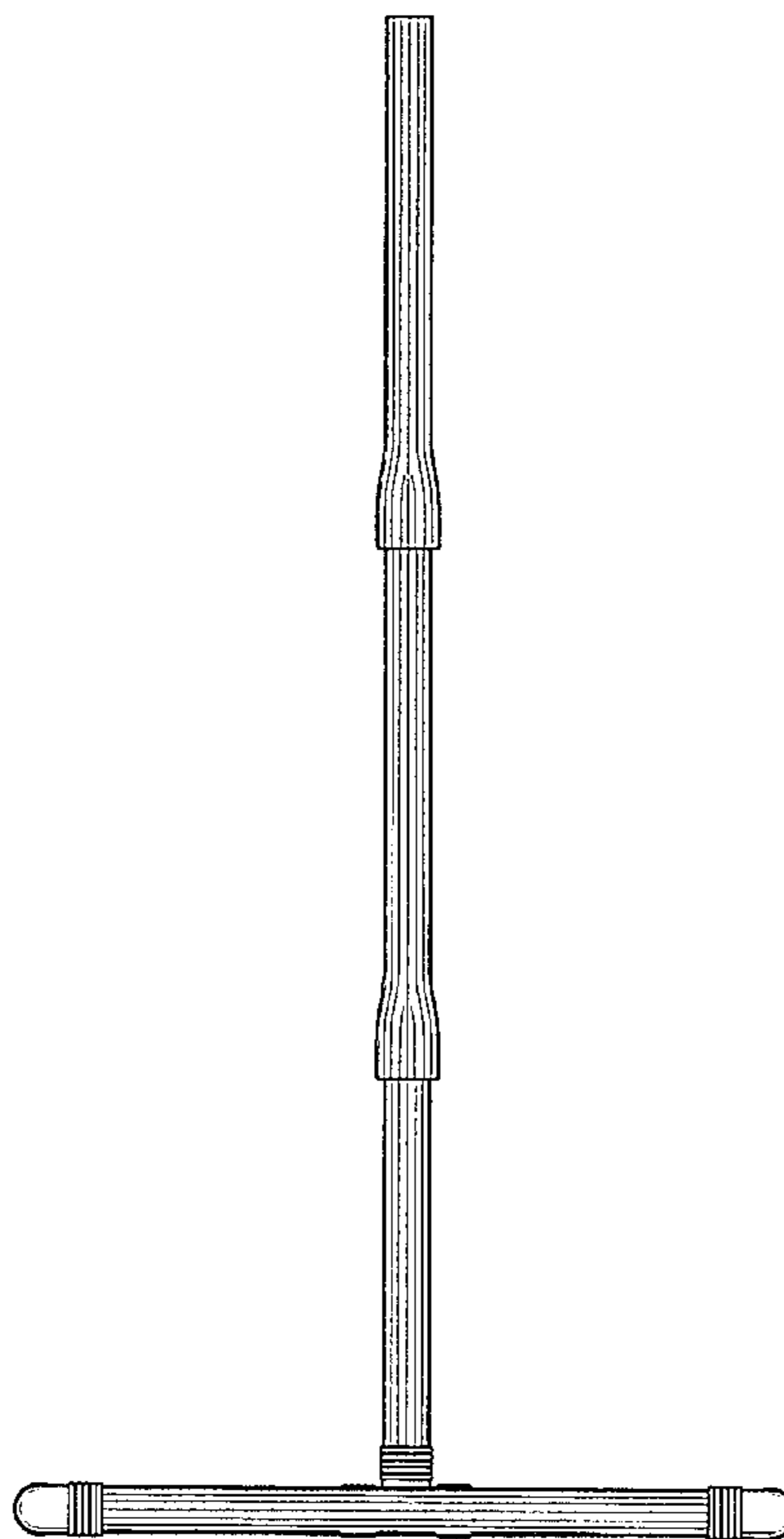


FIG. 1

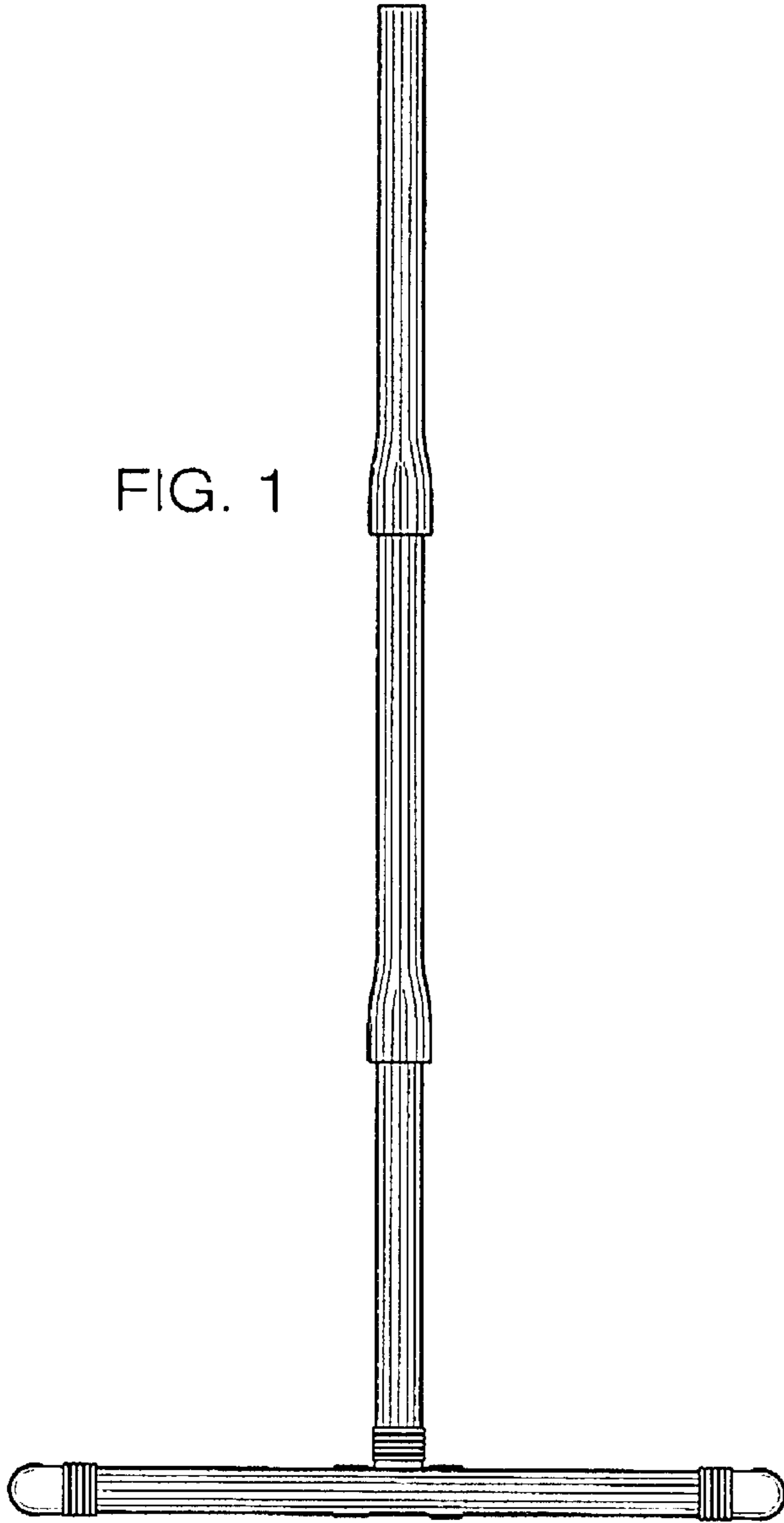


FIG. 2

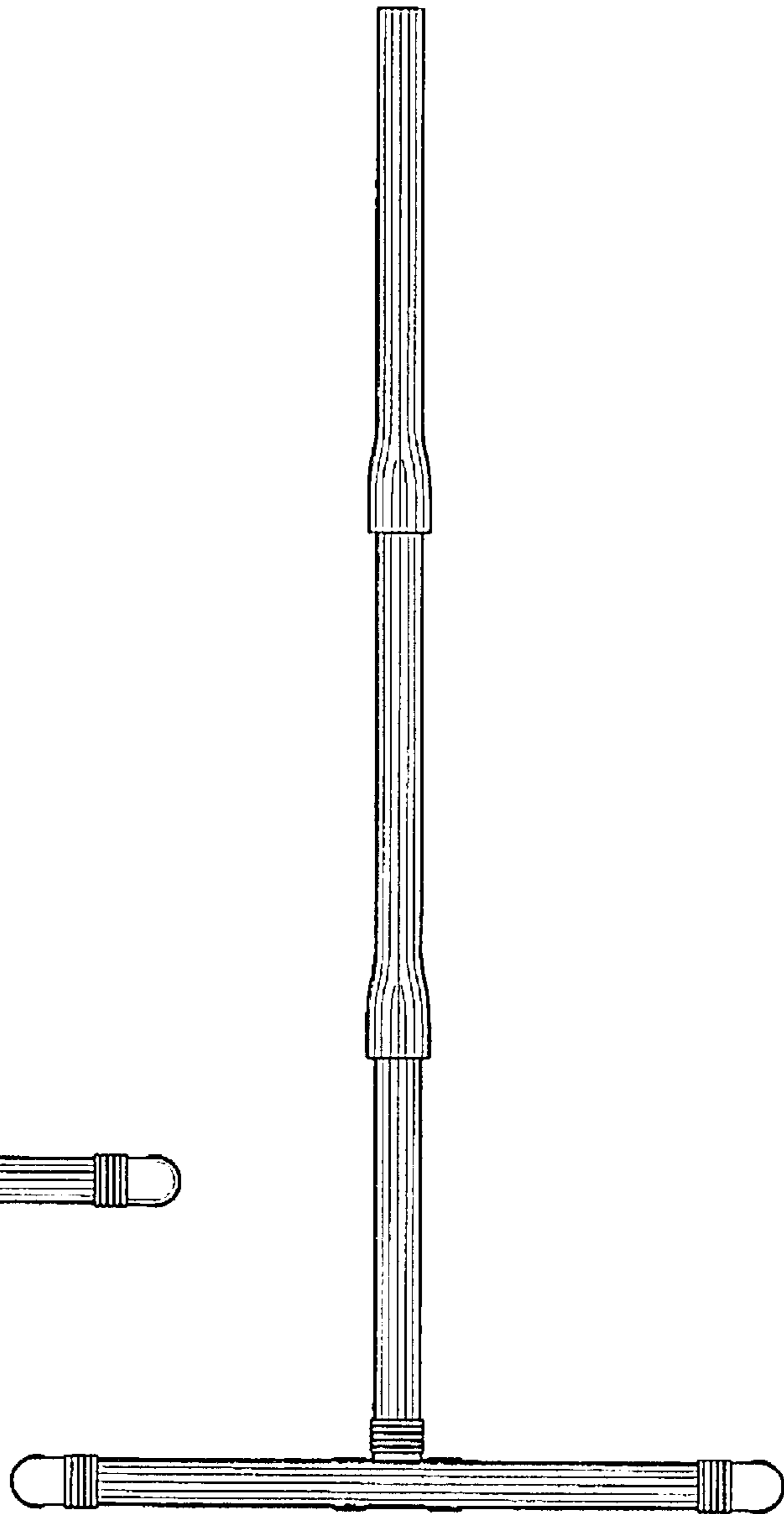


FIG. 3

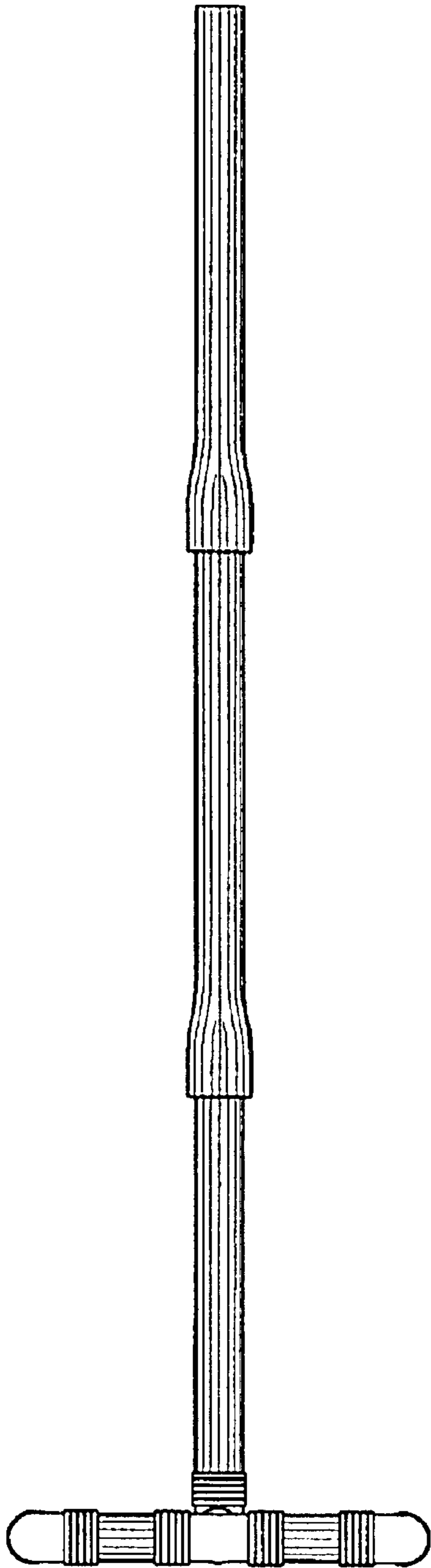


FIG. 4

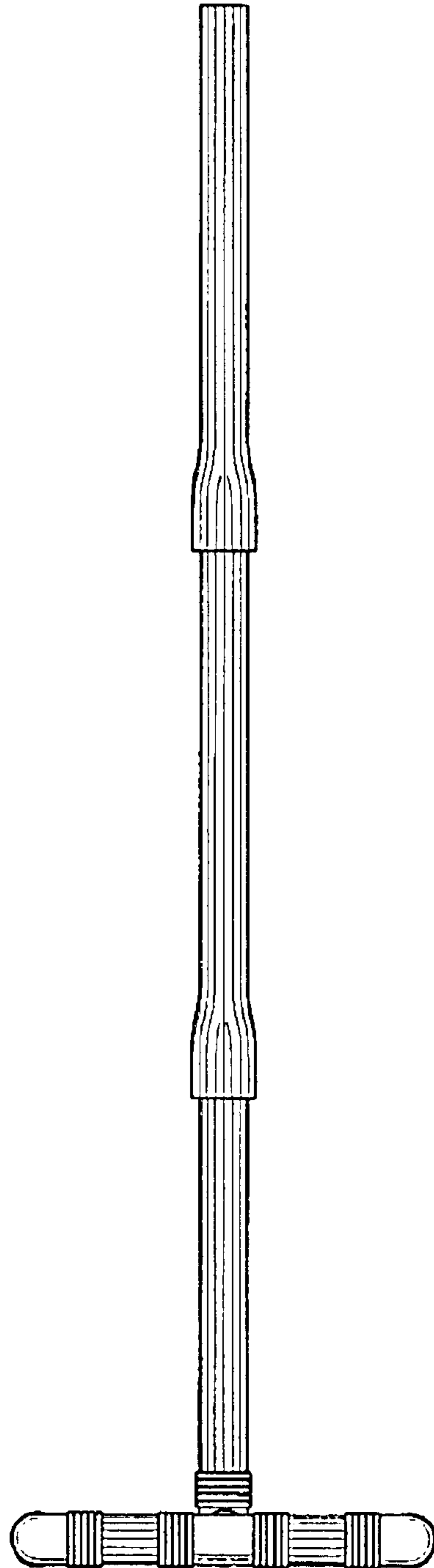


FIG. 5

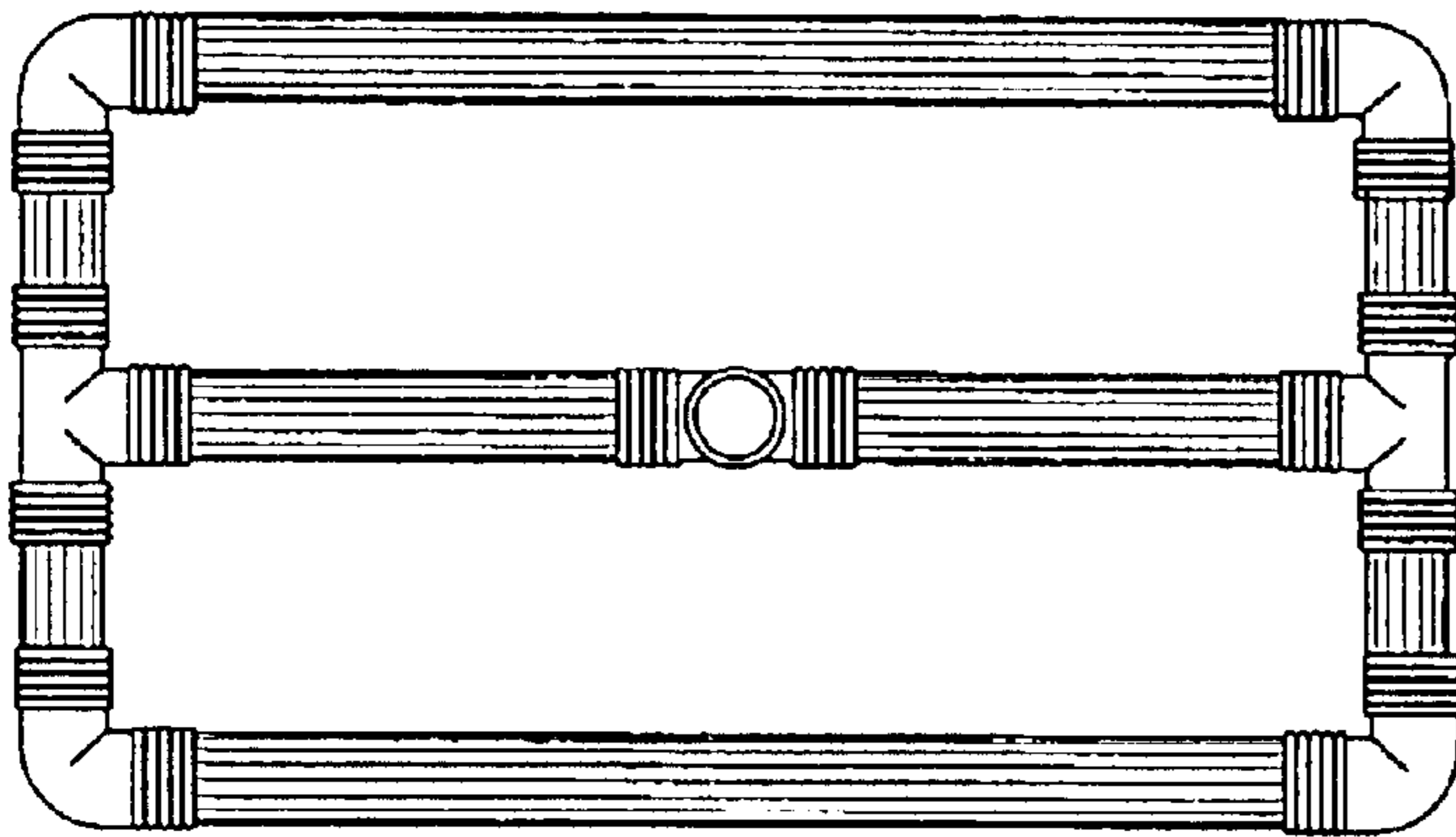


FIG. 6

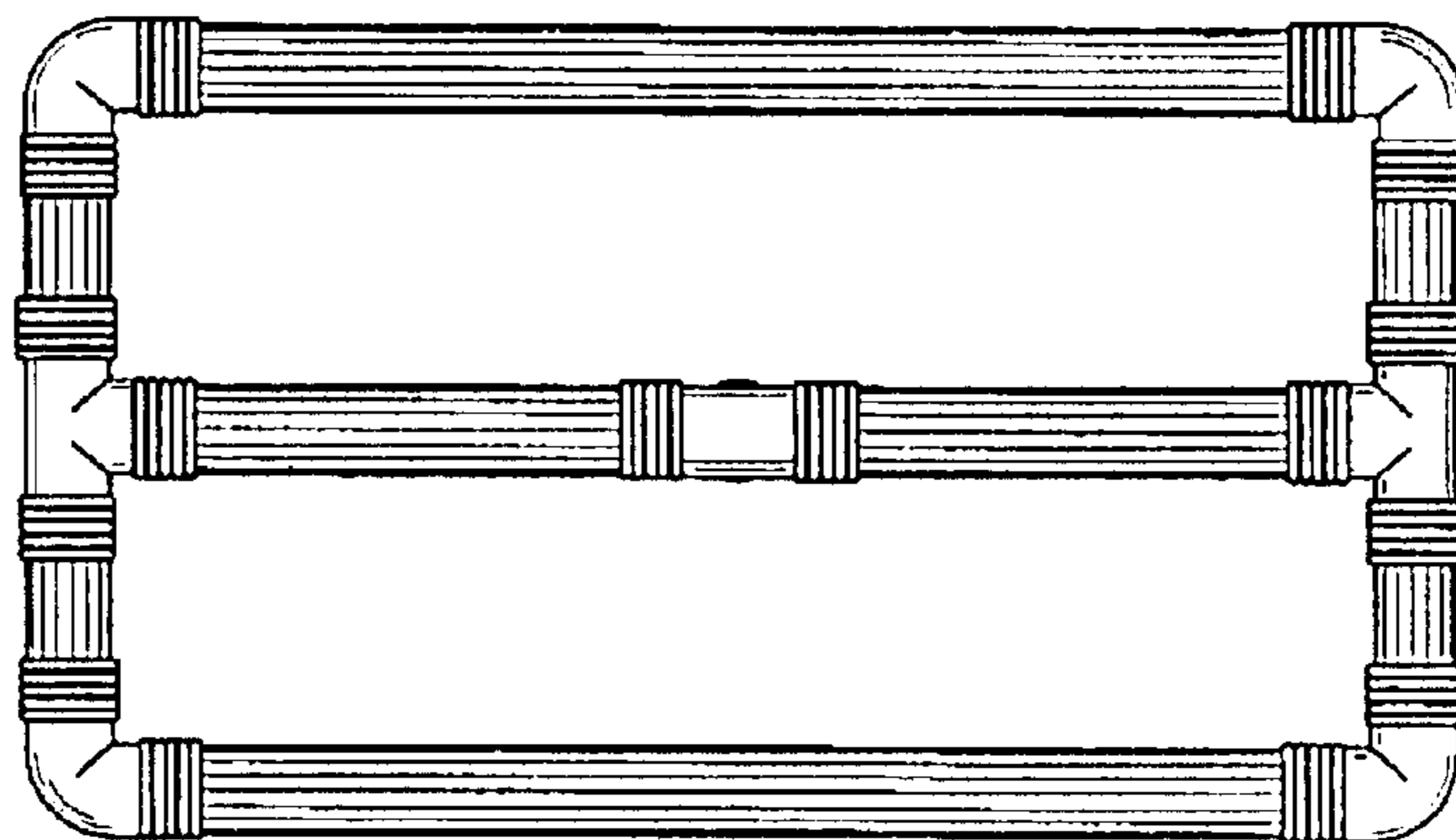


FIG. 7

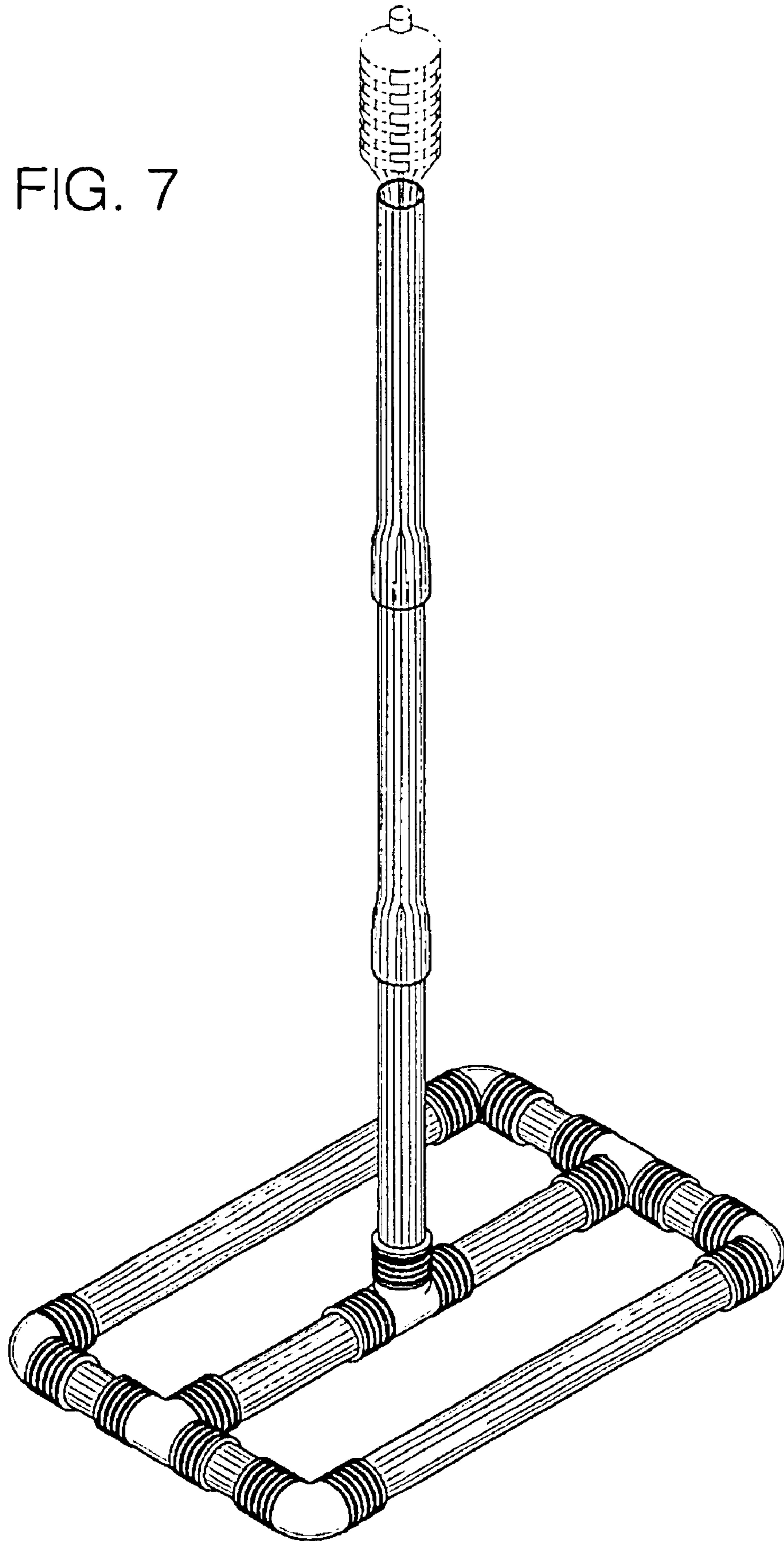


FIG. 8

