



US00D523254S

(12) **United States Design Patent**
Nye et al.

(10) **Patent No.: US D523,254 S**
(45) **Date of Patent: ** *Jun. 20, 2006**

(54) **LIGHTWEIGHT FOLDING CHAIR**

(75) Inventors: **S. Curtis Nye**, Clinton, UT (US); **Kent Ashby**, Logan, UT (US)

(73) Assignee: **Lifetime Products, Inc.**, Clearfield, UT (US)

(*) Notice: This patent is subject to a terminal disclaimer.

(**) Term: **14 Years**

(21) Appl. No.: **29/179,965**

(22) Filed: **Apr. 16, 2003**

(51) **LOC (8) Cl. 06-01**

(52) **U.S. Cl. D6/368**

(58) **Field of Classification Search** D6/334-336,
D6/368, 374, 376, 379, 380, 500-502; 297/16.1,
297/40, 41, 55, 58, 183.7, 452.1, 452.21,
297/452.29

See application file for complete search history.

(56) **References Cited**

U.S. PATENT DOCUMENTS

1,900,486 A	3/1933	Clarín	
D107,545 S	12/1937	O'Connor	
D118,185 S	12/1939	Bond	
2,390,878 A	12/1945	Greitzer	
2,564,924 A	8/1951	Patton	
2,865,437 A	12/1958	Shwayder	
3,094,357 A	6/1963	Shwayder	
3,171,691 A	3/1965	Buehrig	
3,431,011 A	3/1969	Poppe et al.	
D214,267 S	* 5/1969	Moore et al.	D6/368
3,521,349 A	7/1970	Gehring	
3,669,496 A	6/1972	Chisholm	
3,695,687 A	* 10/1972	Uyeda	297/56
3,726,330 A	4/1973	Adler	
3,792,353 A	2/1974	Loika, Jr.	
3,822,084 A	7/1974	Brezosky	
3,857,604 A	12/1974	Scott	
4,059,199 A	11/1977	Quaney	
4,076,787 A	2/1978	Ervin et al.	

4,092,745 A	6/1978	Oropallo
4,140,236 A	2/1979	Uhlig et al.
4,157,674 A	6/1979	Carlson et al.
4,189,876 A	2/1980	Crossman et al.
4,215,089 A	7/1980	Uhlig et al.
4,223,585 A	9/1980	Barth et al.
4,281,773 A	8/1981	Mengeu
4,415,201 A	11/1983	Wang
D274,865 S	7/1984	Murry
D274,866 S	7/1984	Murry
D274,869 S	7/1984	Aronow et al.
D277,144 S	1/1985	Murry
D277,443 S	2/1985	Murry
D279,152 S	6/1985	Murry
D279,154 S	6/1985	Aronowitz et al.
D279,155 S	6/1985	Aronowitz et al.

(Continued)

FOREIGN PATENT DOCUMENTS

FR	1258788	3/1961
GB	321989	11/1929

Primary Examiner—Doris V. Coles

Assistant Examiner—Mimosa De

(74) *Attorney, Agent, or Firm*—Workman Nydegger

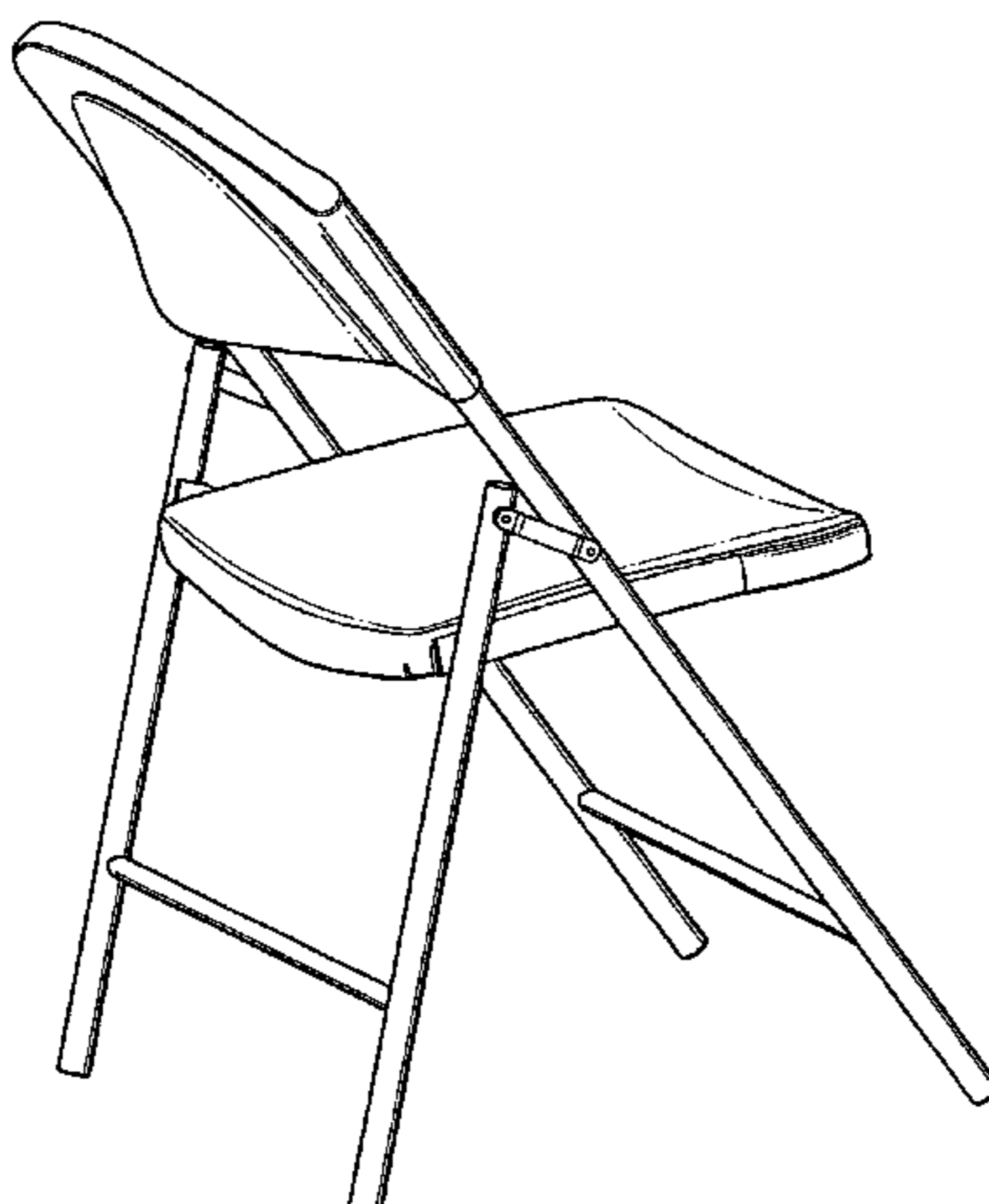
(57) **CLAIM**

The ornamental design for a lightweight folding chair, as shown and described.

DESCRIPTION

FIG. 1 is a top perspective view of a lightweight folding chair;
FIG. 2 is a bottom perspective view of the chair shown in FIG. 1;
FIG. 3 is a front view of the chair shown in FIG. 1;
FIG. 4 is a back view of the chair shown in FIG. 1;
FIG. 5 is a right side view of the chair shown in FIG. 1, with the left side view being a mirror image thereof;
FIG. 6 is a top view of the chair shown in FIG. 1; and,
FIG. 7 is a bottom view of the chair shown in FIG. 1.
The broken lines are for illustrative purposes only and form no part of the claimed design.

1 Claim, 6 Drawing Sheets



US D523,254 S

U.S. PATENT DOCUMENTS

D279,246 S	6/1985	Murry	5,641,035 A	6/1997	Pettit	
D279,247 S	6/1985	Murry	5,671,686 A	9/1997	Hurley et al.	
4,586,738 A	5/1986	Butler et al.	5,679,304 A	10/1997	Watanabe et al.	
4,620,330 A	11/1986	Izzi, Sr.	5,681,078 A	10/1997	Chen	
4,671,570 A	6/1987	Hockenberry et al.	5,694,865 A	12/1997	Raab	
4,727,816 A	3/1988	Virtue	5,697,744 A	12/1997	Medal	
4,732,726 A	3/1988	Grannen, III	5,699,944 A	12/1997	Duran	
4,768,825 A	9/1988	Quinlan, Jr.	5,704,750 A	1/1998	Bartos et al.	
4,768,833 A	9/1988	Virtue	5,711,576 A	1/1998	Olson et al.	
4,826,265 A	5/1989	Hockenberry	5,730,489 A	3/1998	Eberle et al.	
4,841,877 A	6/1989	Virtue	5,735,656 A	4/1998	Marvell et al.	
4,854,638 A	8/1989	Marcus et al.	5,749,628 A	5/1998	Synder et al.	
4,860,421 A	8/1989	Breda et al.	5,769,256 A	6/1998	Medal	
4,861,100 A	8/1989	Baccaro	5,848,718 A	12/1998	Colwell	
4,898,421 A	2/1990	Brunn	5,855,409 A	1/1999	Tseng	
4,951,576 A	8/1990	Cobos et al.	5,879,115 A	3/1999	Medal	
4,987,714 A	1/1991	Lemke	5,951,110 A	9/1999	Conner et al.	
D314,871 S	2/1991	Goetz	5,983,807 A	11/1999	Tarnay et al.	
4,995,323 A	2/1991	Kellems et al.	D422,805 S	4/2000	Smith	
5,078,562 A	1/1992	DeHaitre	6,068,901 A	5/2000	Medal	
5,100,204 A	3/1992	Makihara et al.	6,095,225 A	8/2000	Miller	
5,133,630 A	7/1992	Hughes	6,102,156 A	8/2000	Lipniarski	
5,167,436 A	12/1992	Wu	D432,805 S	10/2000	Smith	
5,222,850 A	6/1993	Medal	6,126,355 A	10/2000	Clover, Jr.	
5,244,291 A	9/1993	Confer	6,131,992 A	10/2000	Chang	
5,271,650 A	12/1993	Fukuhara et al.	D435,977 S *	1/2001	Ambasz D6/368	
5,288,453 A	2/1994	Rutenbeck et al.	D436,457 S *	1/2001	Ambasz D6/368	
5,375,914 A	12/1994	Donnelly	6,171,041 B1	1/2001	Bazinski et al.	
5,413,833 A	5/1995	Hernandez et al.	6,193,307 B1	2/2001	Lin	
5,443,020 A	8/1995	Price	D440,784 S *	4/2001	Ambasz D6/368	
5,498,045 A	3/1996	Morgan et al.	D443,429 S *	6/2001	Mower et al. D6/368	
5,538,680 A	7/1996	Enders	6,250,524 B1	6/2001	Maruyama	
5,542,743 A	8/1996	Olson et al.	D446,661 S *	8/2001	Ambasz D6/368	
5,582,460 A	12/1996	Schultz	D465,665 S *	11/2002	Ritchie et al. D6/368	
5,593,262 A	1/1997	Gedeon et al.	D477,470 S *	7/2003	Haney et al. D6/368	

* cited by examiner

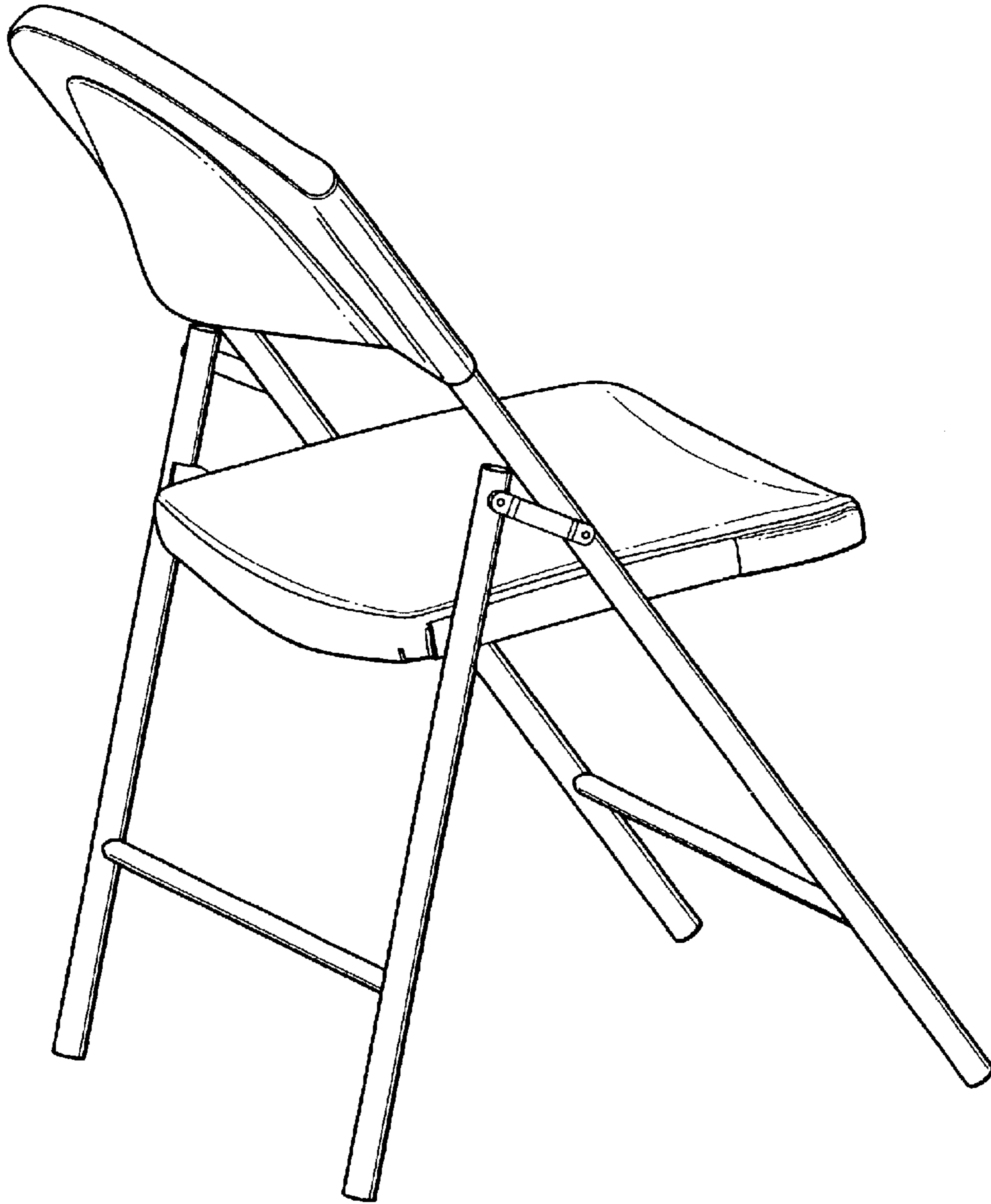


Fig. 1

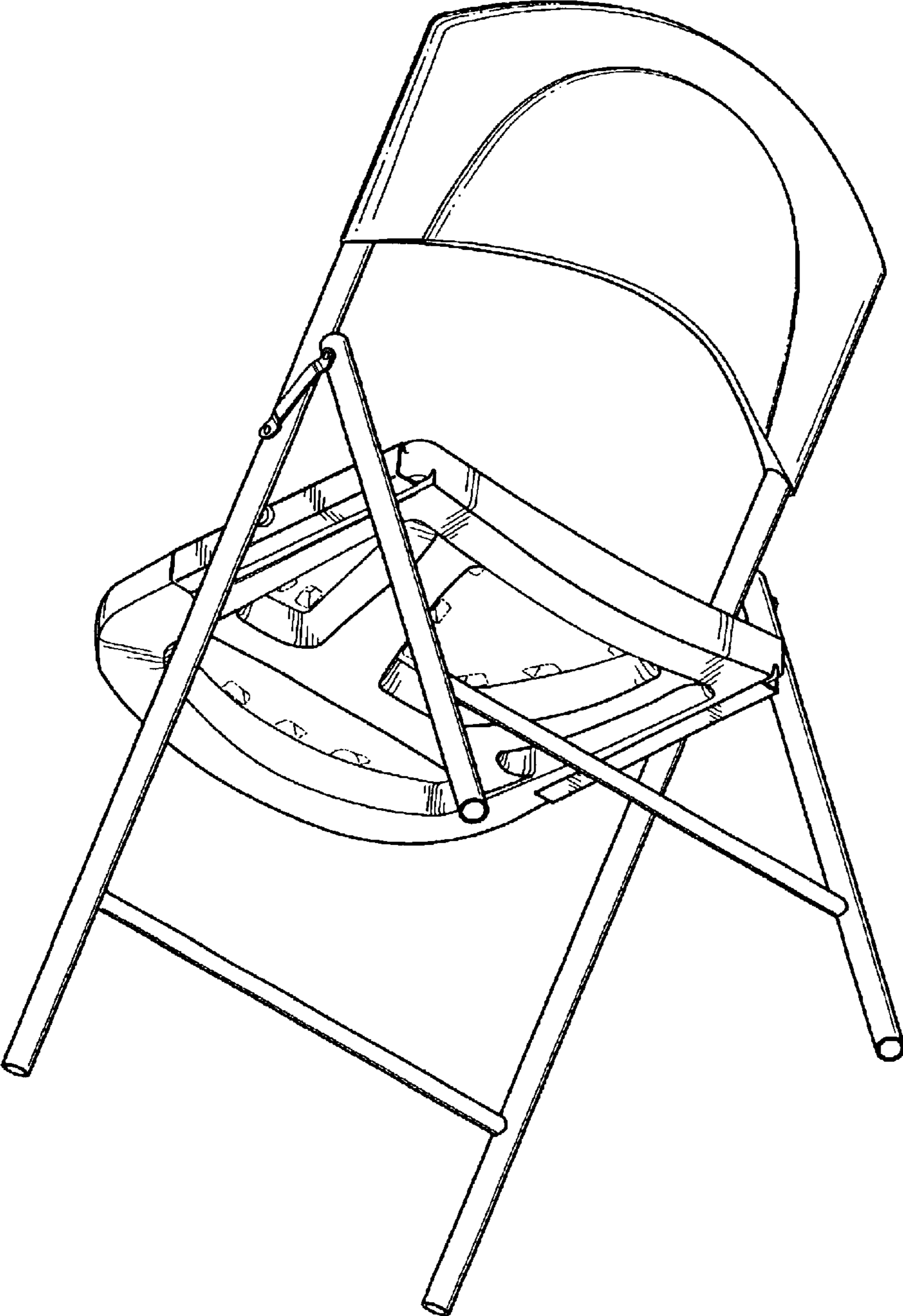


Fig. 2

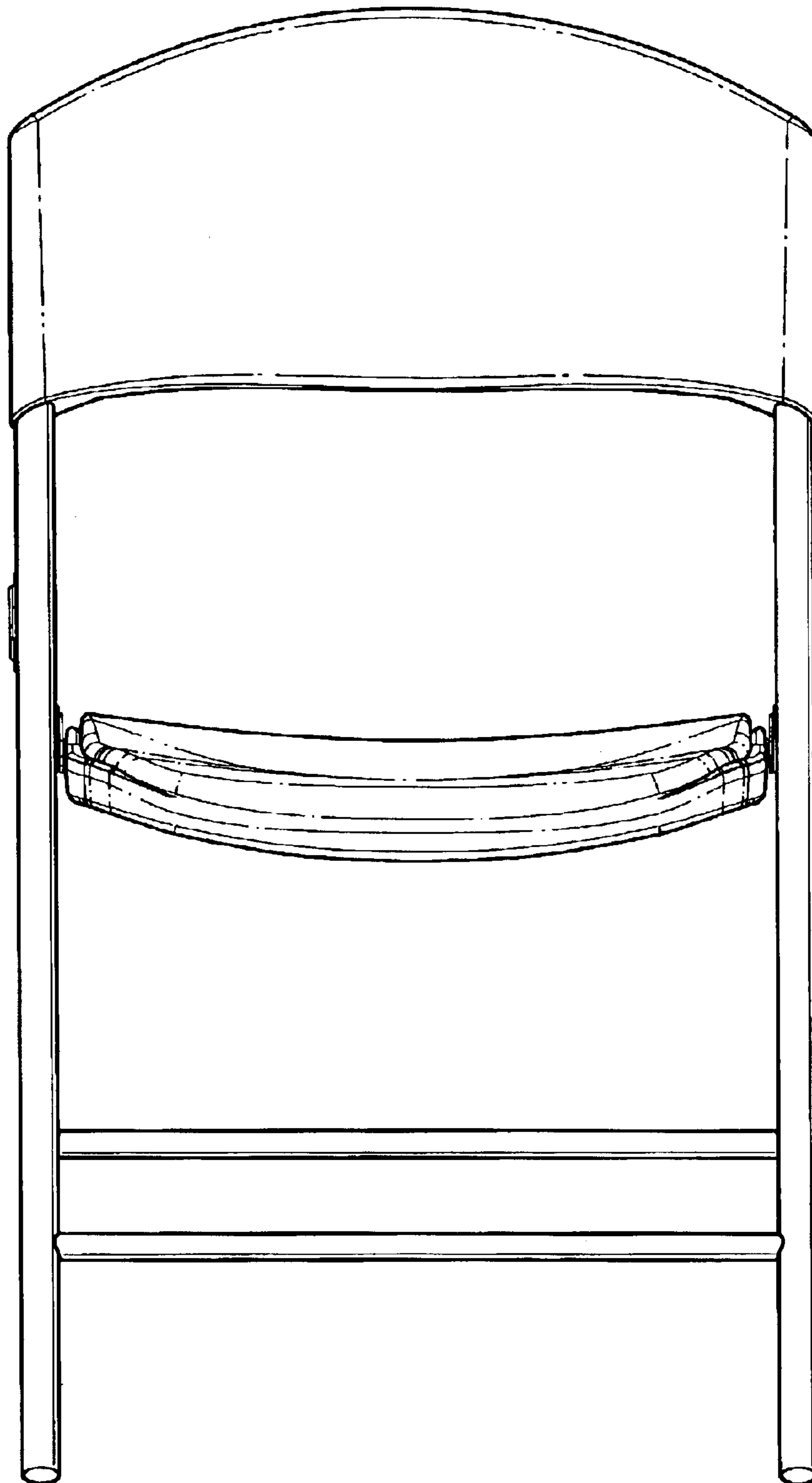


Fig. 3

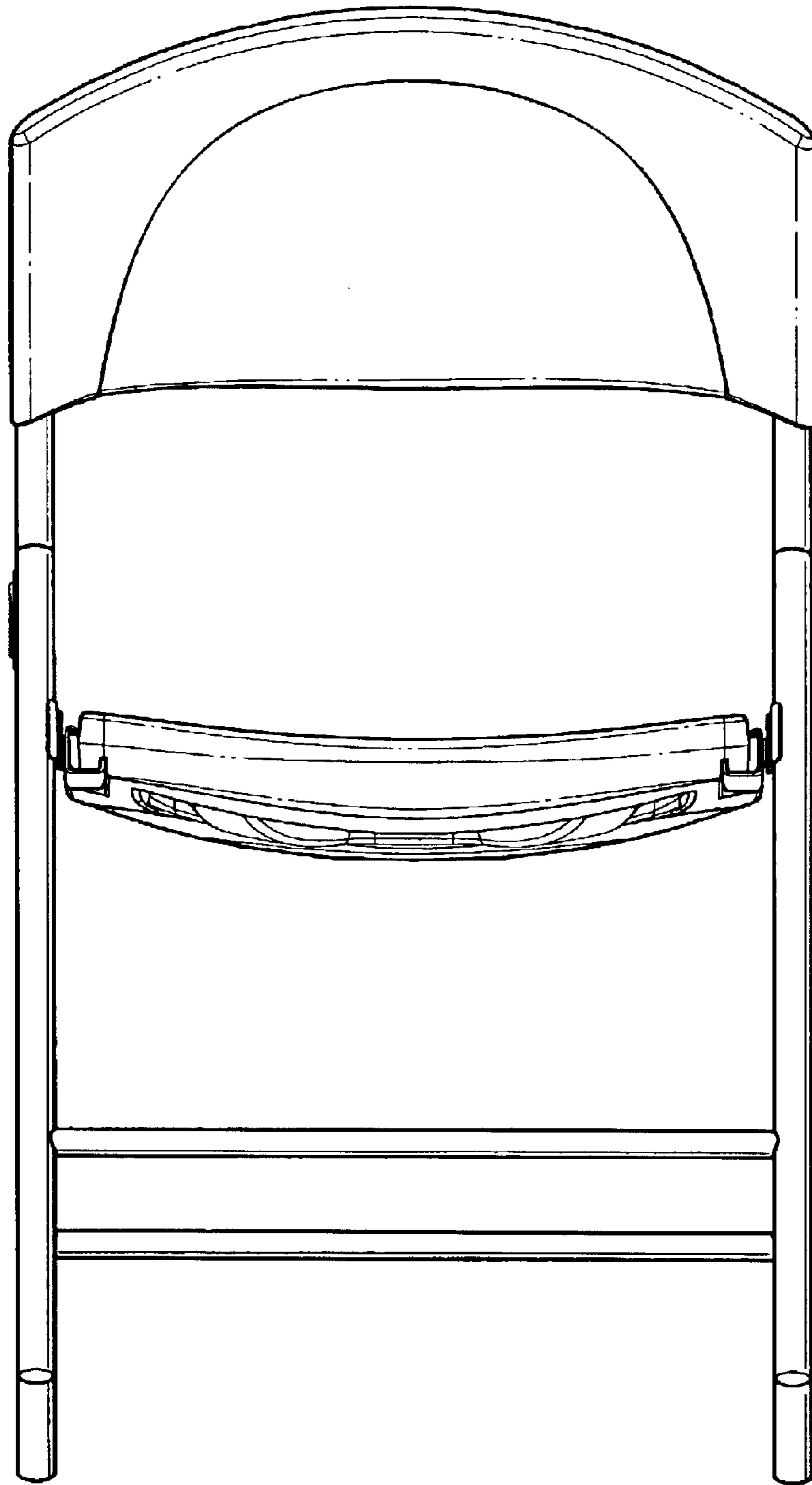


Fig. 4

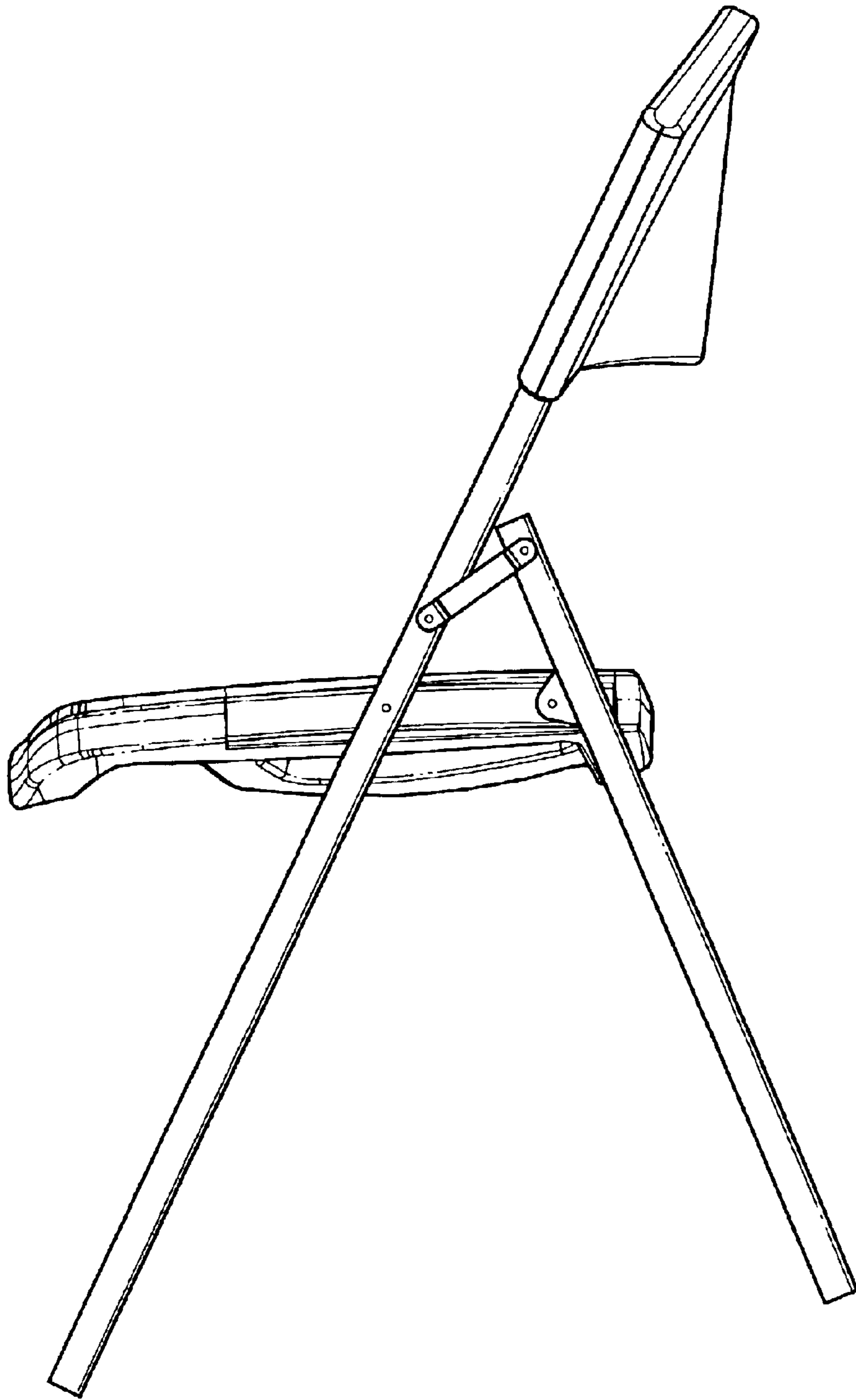


Fig. 5

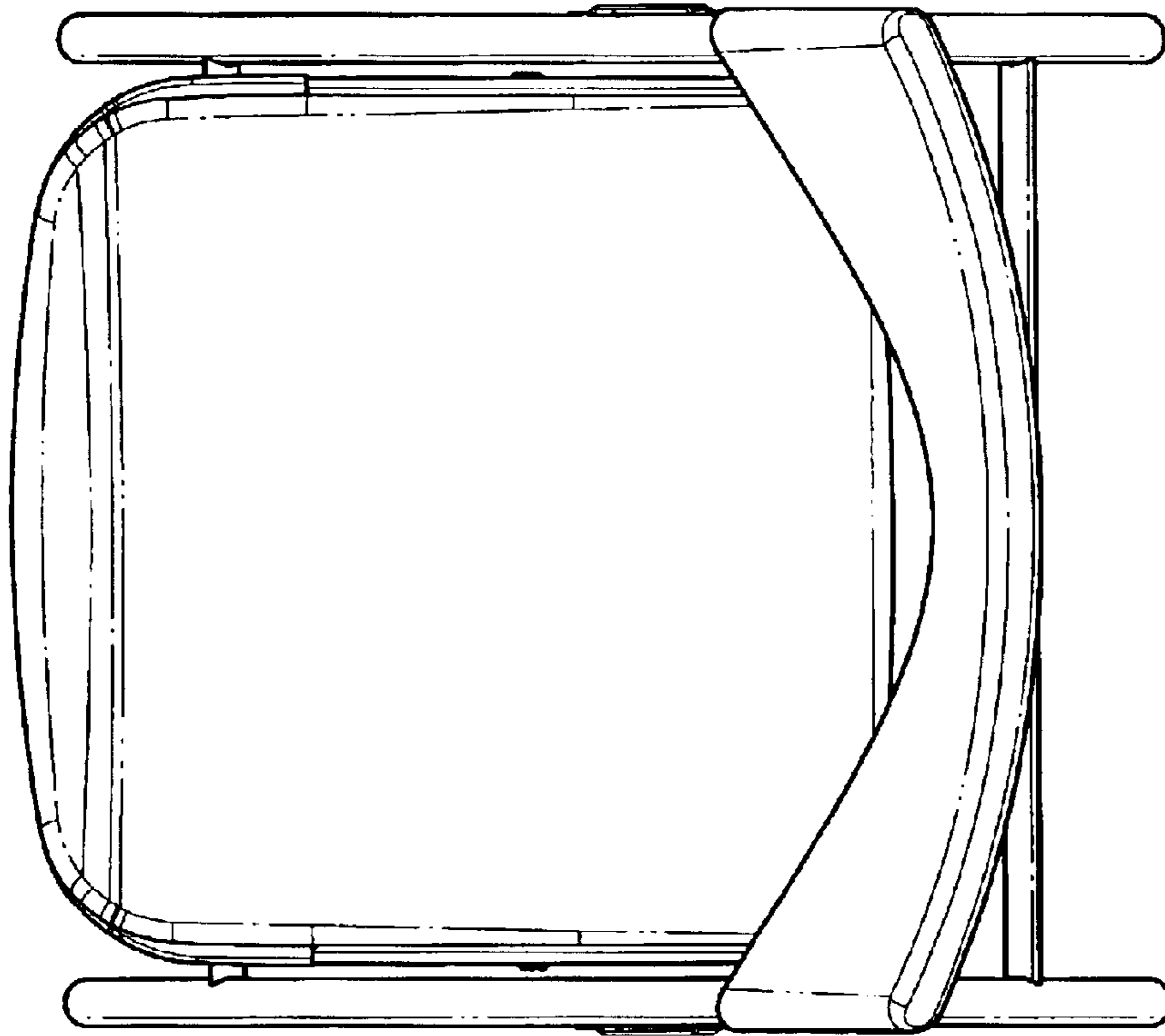


Fig. 6

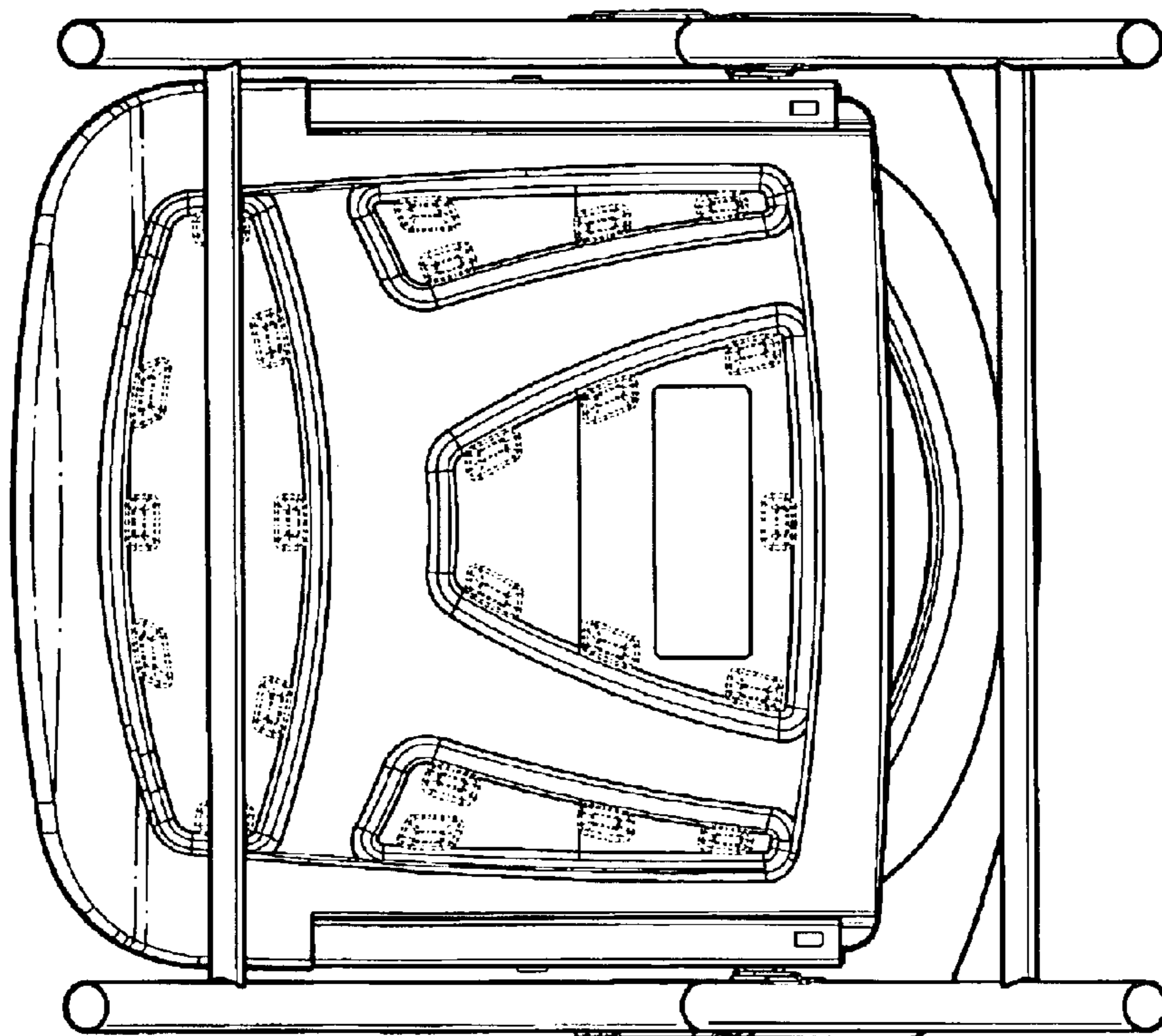


Fig. 7