



US00D523252S

(12) **United States Design Patent**
Rodriguez Leitão

(10) **Patent No.:** **US D523,252 S**

(45) **Date of Patent:** **** Jun. 20, 2006**

(54) **CHAIR**

(75) Inventor: **João José Rodriguez Leitão**, Madeira (PT)

(73) Assignee: **Baldanzi & Novelli SNC**, Ponsacco (PI)

(**) Term: **14 Years**

(21) Appl. No.: **29/190,726**

(22) Filed: **Sep. 26, 2003**

(30) **Foreign Application Priority Data**

Apr. 1, 2003 (EM) 15169

(51) **LOC (8) Cl.** **06-01**

(52) **U.S. Cl.** **D6/366**

(58) **Field of Classification Search** D6/334,
D6/364, 365, 366, 367, 498, 500-502; 297/391,
297/396, 408, 411.2, 411.27, 411.36, 452.29
See application file for complete search history.

(56) **References Cited**

U.S. PATENT DOCUMENTS

D227,829 S * 7/1973 Klose D6/366

D435,976 S	*	1/2001	Deacon	D6/366
D451,294 S	*	12/2001	Simons et al.	D6/366
D454,450 S	*	3/2002	Chu	D6/500
D456,625 S	*	5/2002	Frenkler et al.	D6/366
D488,313 S	*	4/2004	Seiler	D6/366
D497,264 S	*	10/2004	Aubriet et al.	D6/366
D499,564 S	*	12/2004	Meda	D6/366
D500,607 S	*	1/2005	Tsai	D6/366
D507,124 S	*	7/2005	Yang	D6/366

* cited by examiner

Primary Examiner—Mimosa De

(74) *Attorney, Agent, or Firm*—Dykema Gossett PLLC

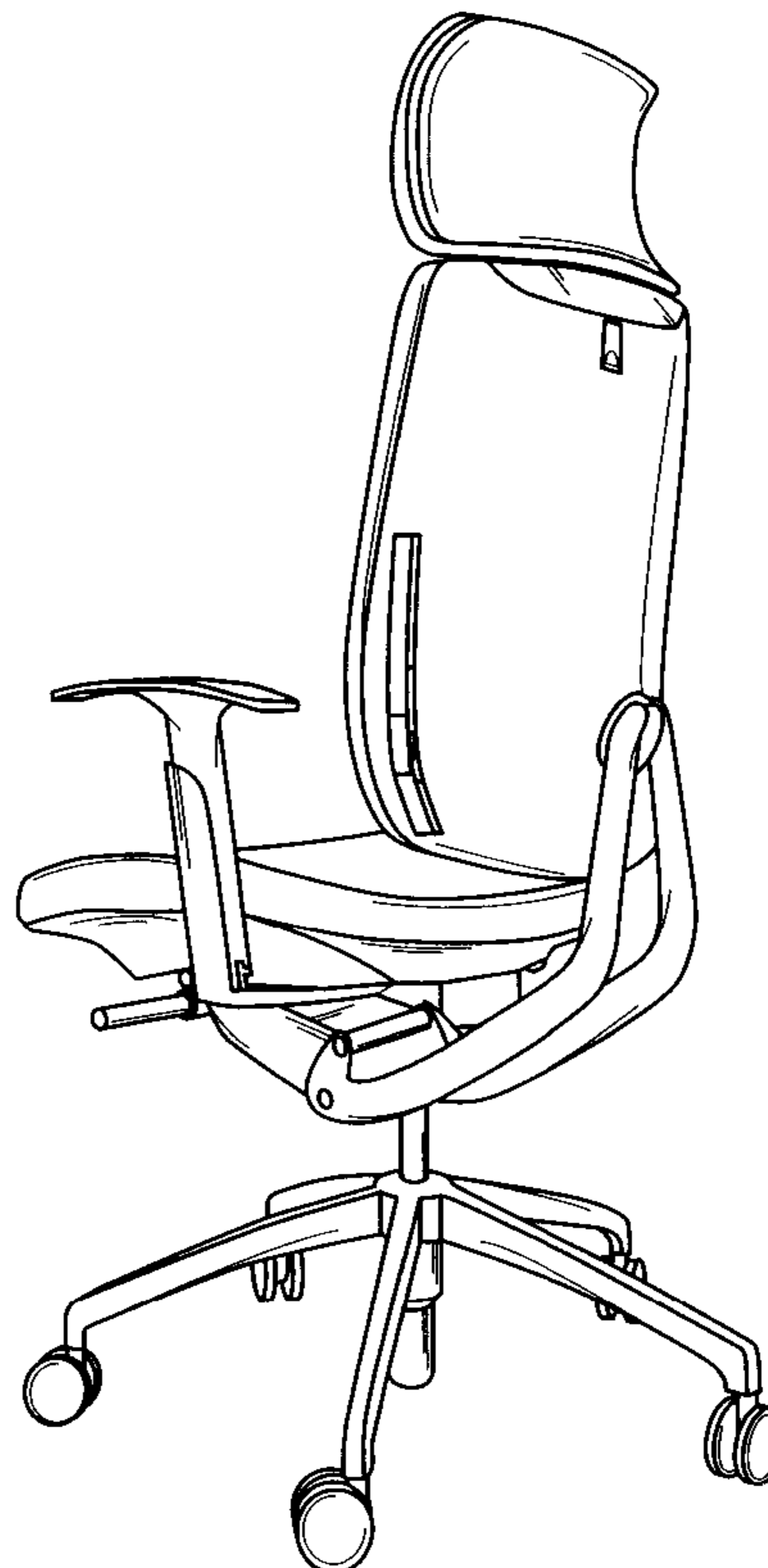
(57) **CLAIM**

The ornamental design for a chair, as shown and described.

DESCRIPTION

FIG. 1 is a front view of the chair according to the invention. FIG. 2 is a rear view of the chair according to the invention. FIG. 3 is a left side view of the chair according to the invention. FIG. 4 is a front perspective view of the chair according to the invention; and, FIG. 5 is a rear perspective view of the chair according to the invention.

1 Claim, 3 Drawing Sheets



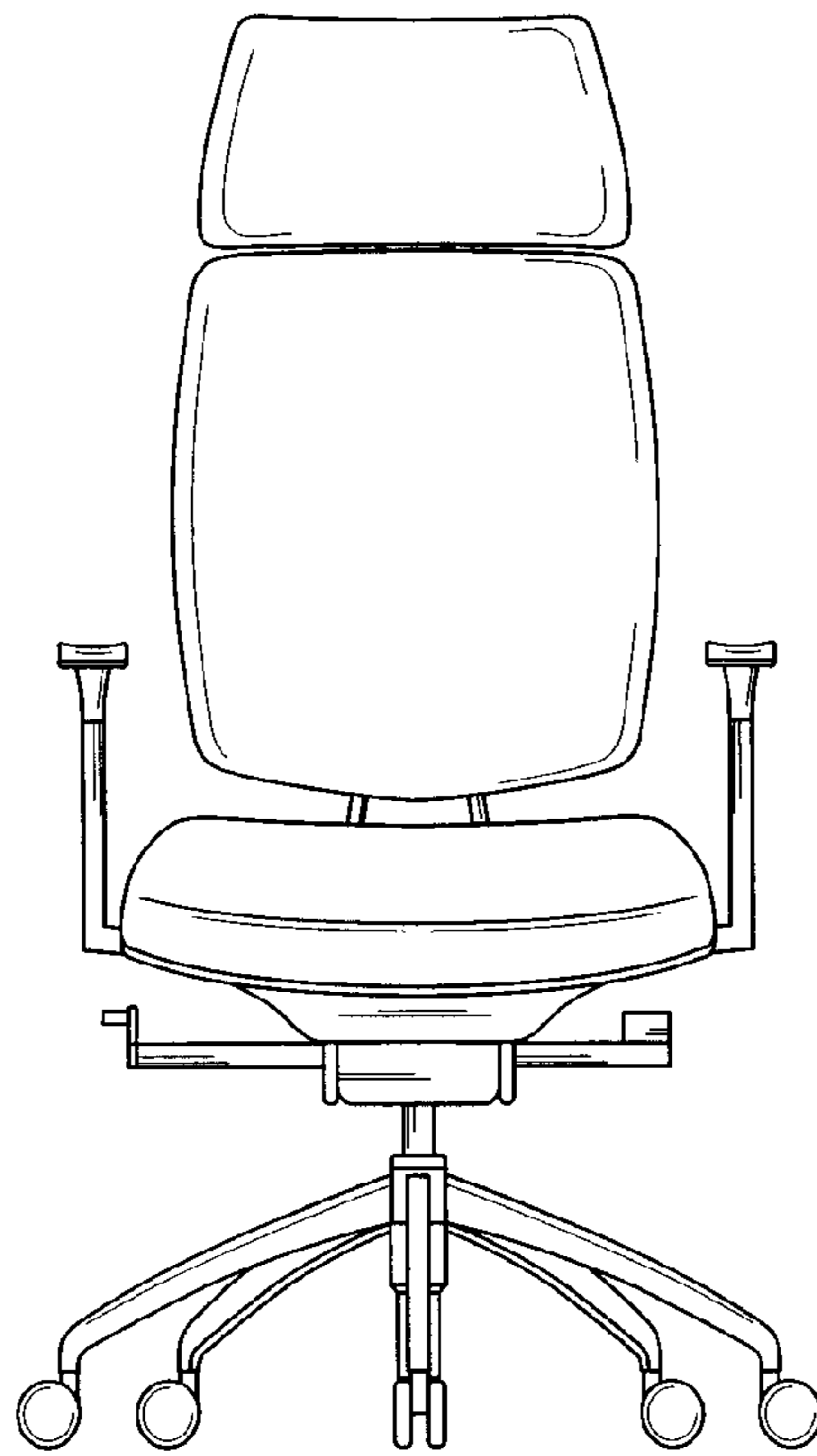


FIG. 1

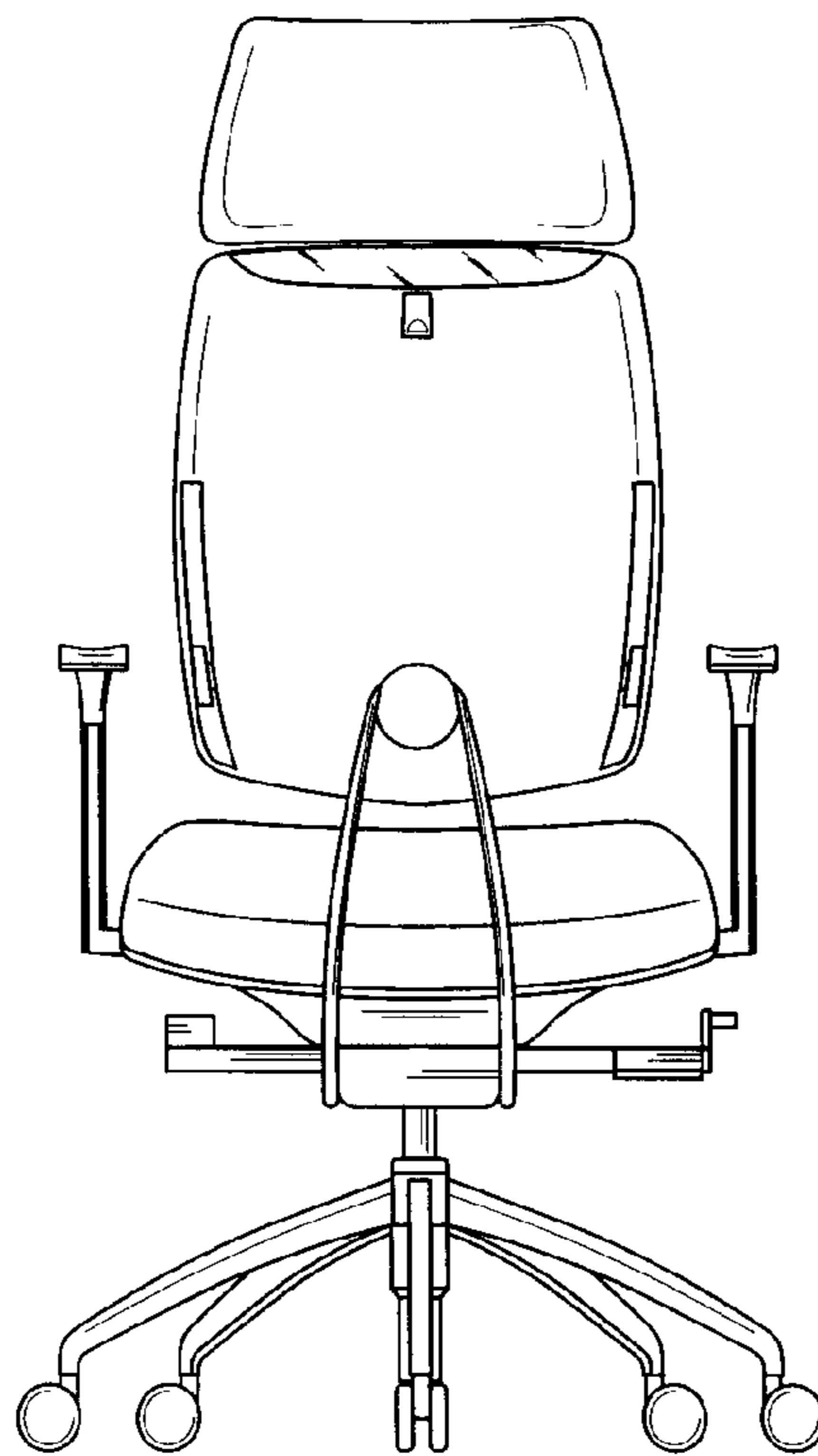


FIG. 2

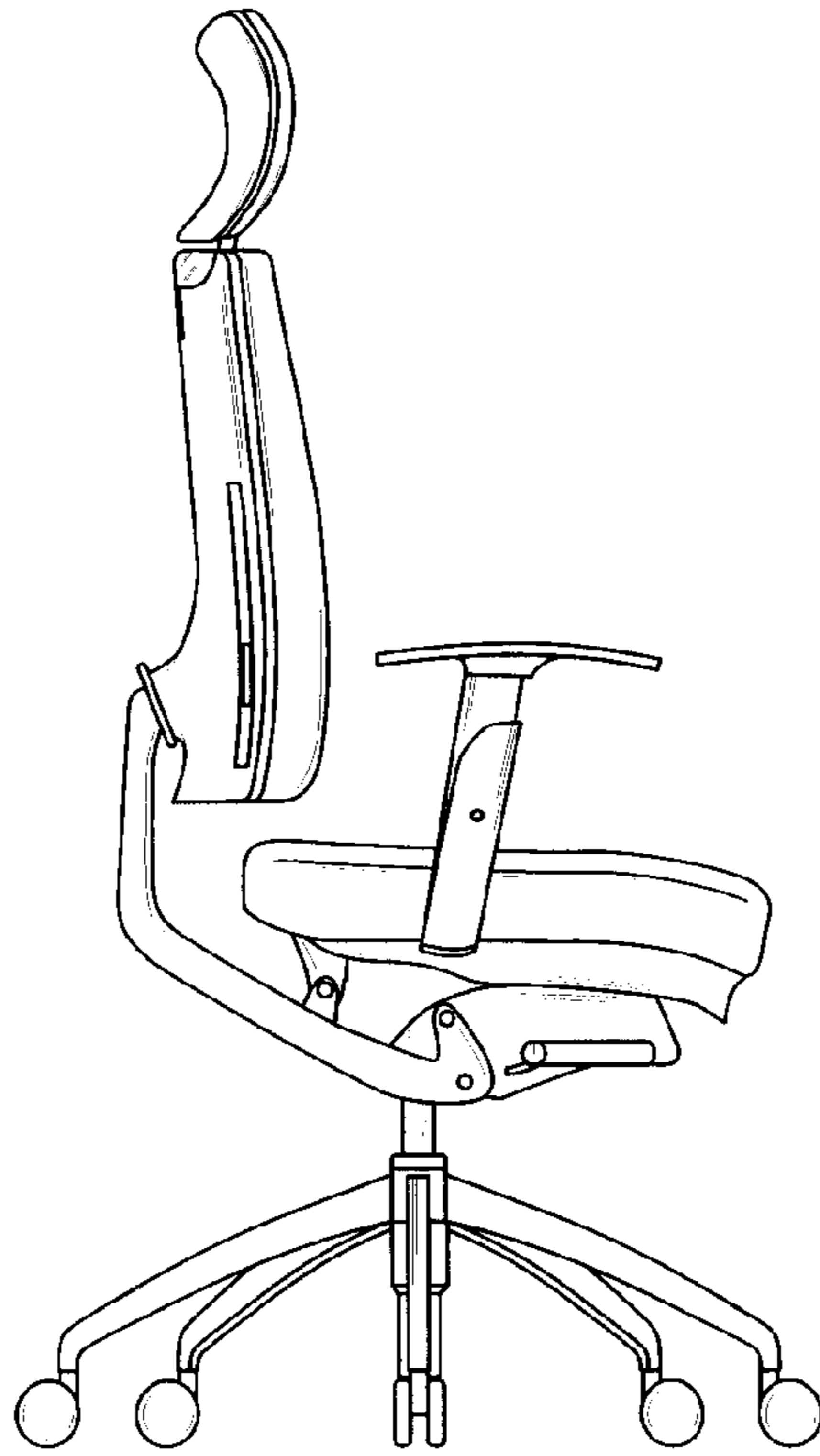


FIG. 3



FIG. 4

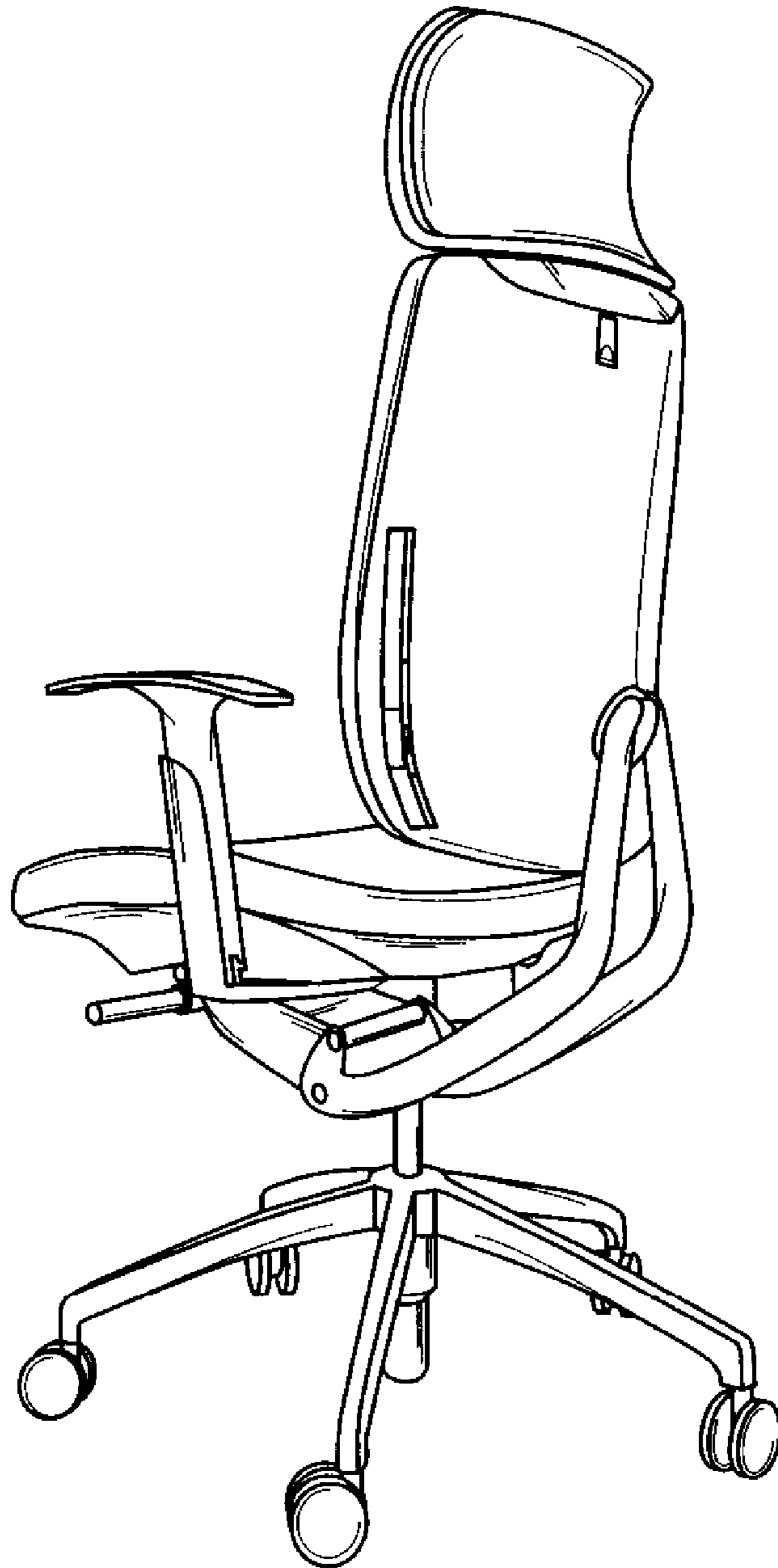


FIG. 5